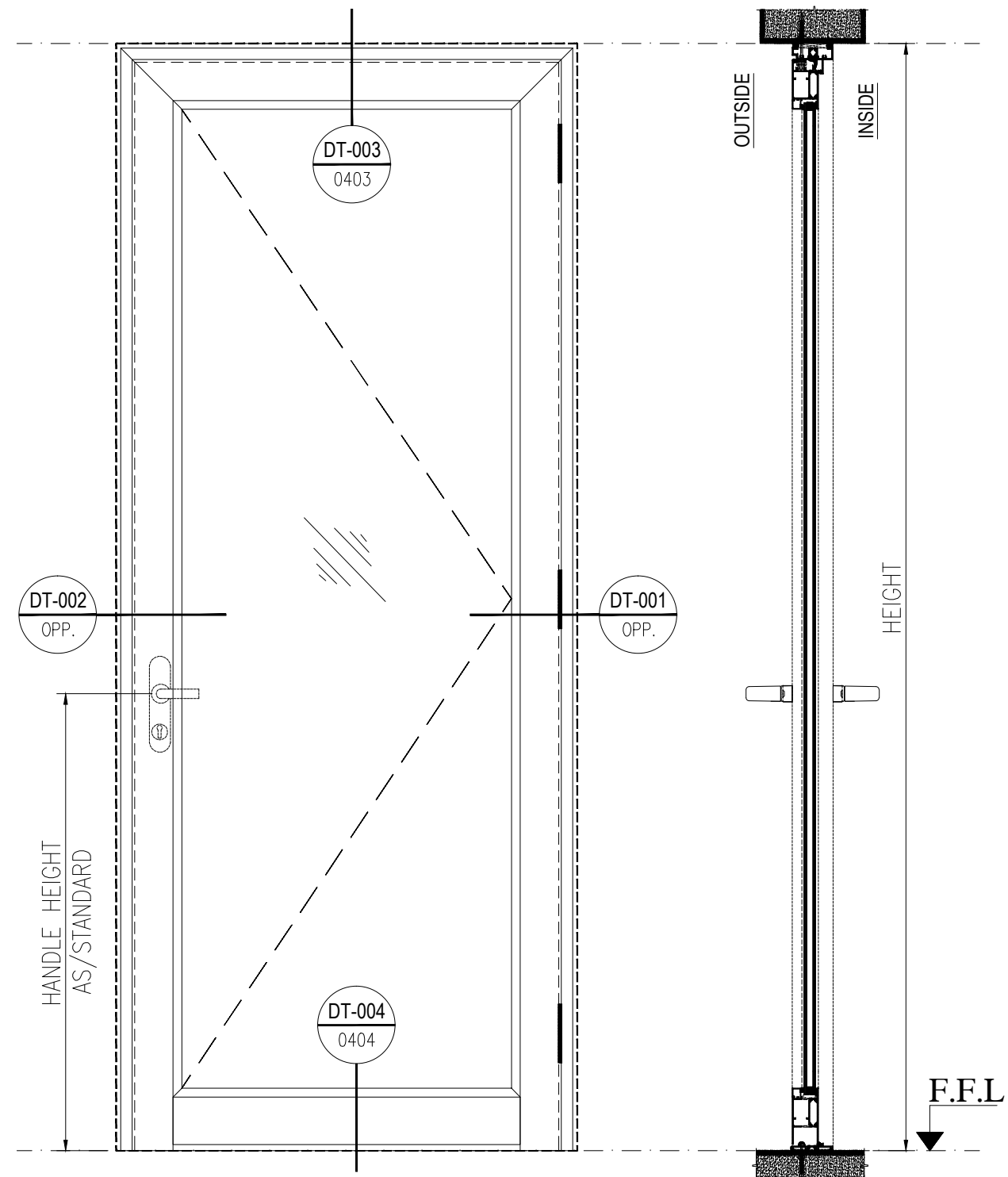


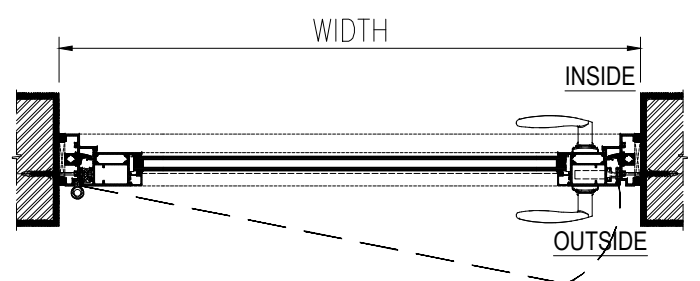
D1 ELEVATION: (VIEW OUTSIDE)  
OPT-01 SCALE: 1:13

D1 SECTION:  
- -

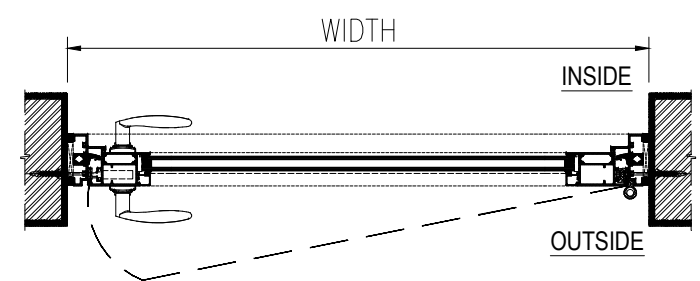


D2 ELEVATION: (VIEW OUTSIDE)  
OPT-01 SCALE: 1:13

D2 SECTION:  
- -



D1 PLAN:  
- -



D2 PLAN:  
- -

\*GENERAL NOTES:  
1. ALL DIMENSION AND LEVELS ARE IN FEET INCH.  
2. ALL DIMENSIONS ARE TO BE READ NOT MEASURED.  
3. ALL ELEVATIONS VIEWED AS PER SHOWN.

REFERENCE DRAWINGS:

|     |     |     |
|-----|-----|-----|
| --- | --- | --- |
| --- | --- | --- |
| --- | --- | --- |
| --- | --- | --- |
| --- | --- | --- |
| --- | --- | --- |
| --- | --- | --- |

DESIGN DRAWING NO. REV. NO. DATE:

FACADE CONSULTANT:  
**JOSEPH B. CALLAGHAN, INC.**  
1617 John F. Kennedy Blvd  
Suite 1655  
Philadelphia, PA 19103  
T: 215.665.0497

ARCHITECT DESIGN CONSULTANT:  
**KSS ARCHITECTS**  
Princeton | Philadelphia  
337 Witherspoon Street  
Princeton, NJ 08542  
T: 609.921.1131

PROJECT:  
**UNCOMMON SCHOOL**  
ADDITION AND RENOVATION  
NORTH STAR ACADEMY-571 18TH AVENUE  
571 18TH AVENUE, NEWARK, NJ 07103  
LOT 1, BLOCKS 358-359

CLIENT:  
--  
--

ISSUE

|     |     |     |
|-----|-----|-----|
| --- | --- | --- |
| --- | --- | --- |
| --- | --- | --- |
| --- | --- | --- |
| --- | --- | --- |
| --- | --- | --- |
| --- | --- | --- |

NO. DESCRIPTION: DATE: REV.BY

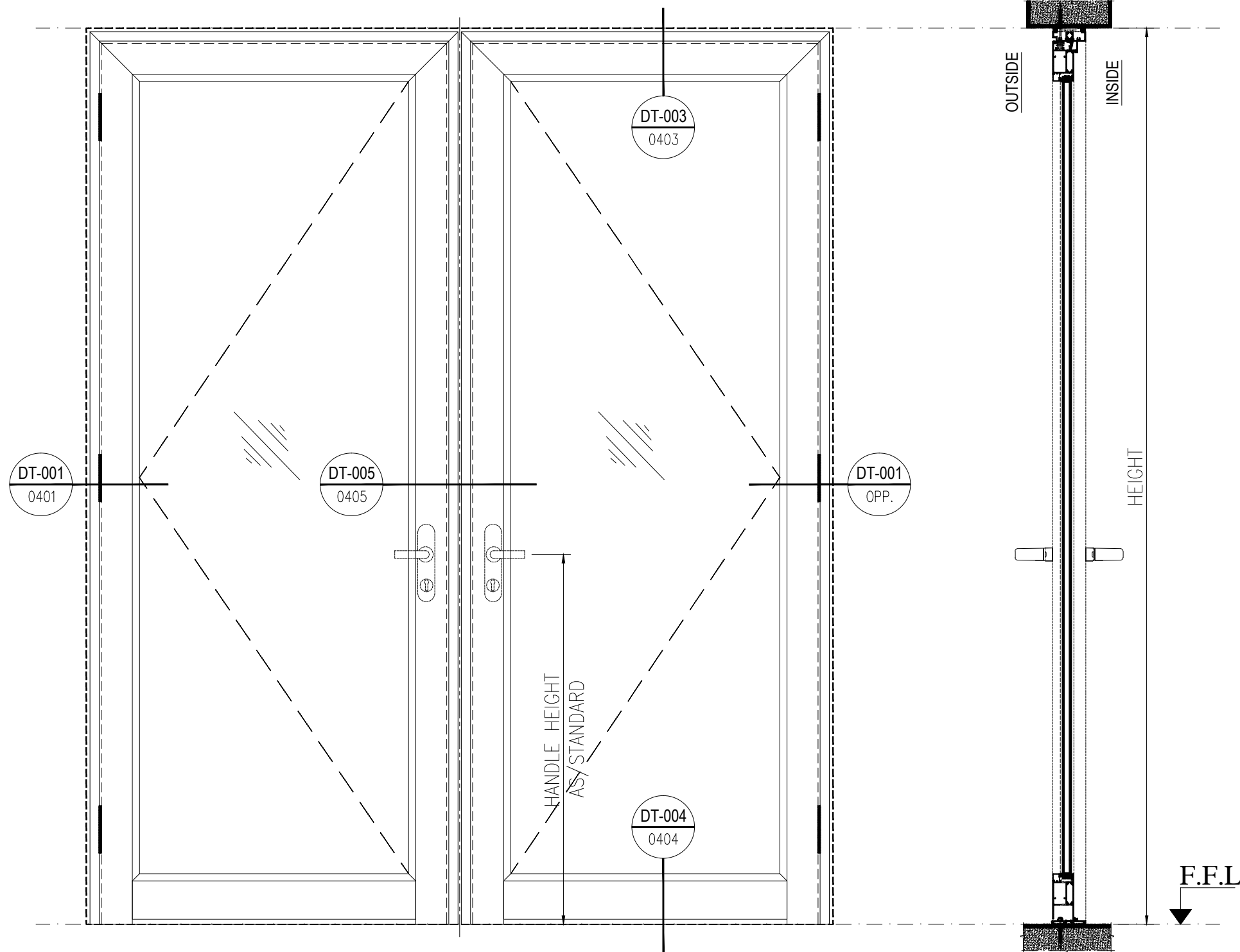
DISCIPLINE:

FACADE CONTRACTOR:  
**SIMSONA CORPORATION**  
2275 Research Boulevard  
Suite 500  
Rockville, MD 20850  
Office: 301-774-0880  
Cell: 301-408-8553, FAX: 301-260-0239  
E-mail: raj@simsona.com

DRAWING TITLE:  
**SHOP DRAWING OF  
CASEMENT SINGLE DOOR (D1 & D2)  
OUTSIDE OPENING**

|  |          |           |           |           |                   |
|--|----------|-----------|-----------|-----------|-------------------|
| DRAWN:   | CHECKED: | APPROVED: | PAGE NO.  | PR. CODE: |                   |
| DINESH   | RAJ.G    | RAJ.G     | 001       | 22308     |                   |
| DATE:  | DATE:    | DATE:     | SHEET NO. | SCALE:    | SIZE:             |
| 10 Dec,19  | --       | --        | 1 OF 14   | AS SHOWN  | A3                |
| DRAWING NUMBER:<br><b>UNC/SCH-SIMSONA-AL-DWG-DOOR-0311</b> |          |           |           |           | REV:<br><b>00</b> |

STATUS: SAMPLE DRAWING



- \*GENERAL NOTES:
1. ALL DIMENSION AND LEVELS ARE IN FEET INCH.
  2. ALL DIMENSIONS ARE TO BE READ NOT MEASURED.
  3. ALL ELEVATIONS VIEWED AS PER SHOWN.

REFERENCE DRAWINGS:

|   |   |   |
|---|---|---|
| — | — | — |
| — | — | — |
| — | — | — |
| — | — | — |
| — | — | — |
| — | — | — |

DESIGN DRAWING NO.      REV. NO.      DATE:

FACADE CONSULTANT:  
**JOSEPH B. CALLAGHAN, INC.**  
 1617 John F. Kennedy Blvd  
 Suite 1655  
 Philadelphia, PA 19103  
 T: 215.665.0497

ARCHITECT DESIGN CONSULTANT:  
**KSS ARCHITECTS**  
 Princeton | Philadelphia  
 337 Witherspoon Street  
 Princeton, NJ 08542  
 T: 609.921.1131

PROJECT:  
**UNCOMMON SCHOOL**  
 ADDITION AND RENOVATION  
 NORTH STAR ACADEMY-571 18TH AVENUE  
 571 18TH AVENUE, NEWARK, NJ 07103  
 LOT 1, BLOCKS 358-359

CLIENT:  
 —  
 —

ISSUE

|   |   |   |   |
|---|---|---|---|
| — | — | — | — |
| — | — | — | — |
| — | — | — | — |
| — | — | — | — |
| — | — | — | — |
| — | — | — | — |
| — | — | — | — |
| — | — | — | — |
| — | — | — | — |
| — | — | — | — |

NO.      DESCRIPTION:      DATE:      REV. BY

DISCIPLINE:

FACADE CONTRACTOR:  
 **SIMSONA CORPORATION**  
 2275 Research Boulevard  
 Suite 500  
 Rockville, MD 20850  
 Office: 301-774-0880  
 Cell: 301-408-8553, FAX: 301-260-0239  
 E-mail: raj@simsona.com

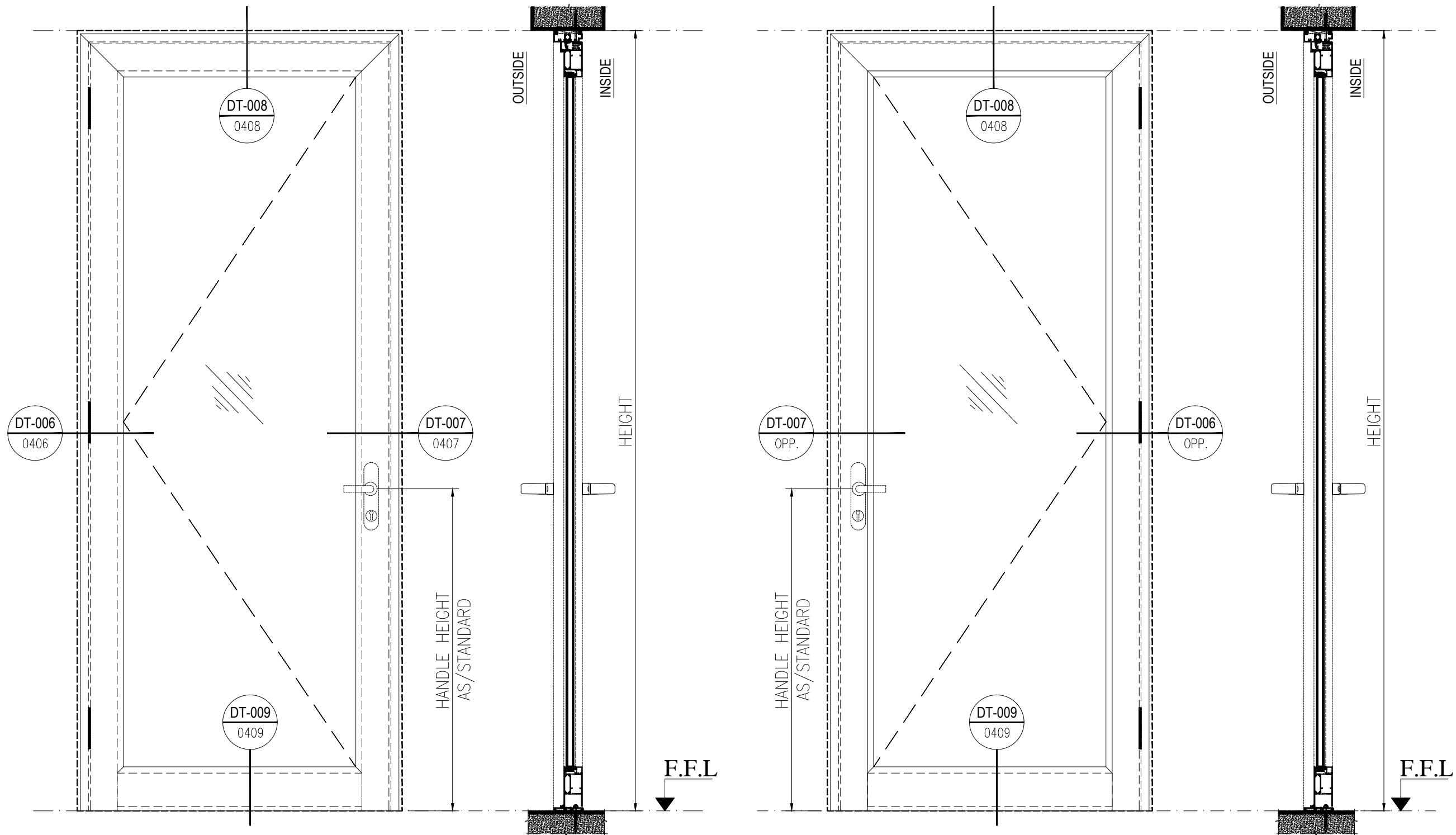
DRAWING TITLE:  
**SHOP DRAWING OF  
 CASEMENT DOUBLE DOOR (DD1)  
 OUTSIDE OPENING**

|           |          |           |           |           |       |
|-----------|----------|-----------|-----------|-----------|-------|
| DRAWN:    | CHECKED: | APPROVED: | PAGE NO.  | PR. CODE: |       |
| DINESH    | RAJ.G    | RAJ.G     | 002       | 22308     |       |
| DATE:     | DATE:    | DATE:     | SHEET NO. | SCALE:    | SIZE: |
| 10 Dec,19 | —        | —         | 2 OF 14   | AS SHOWN  | A3    |

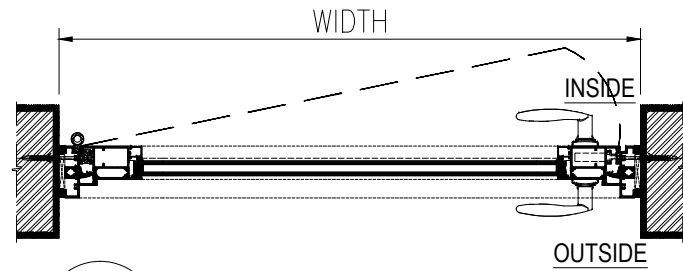
DRAWING NUMBER:  
**UNC/SCH-SIMSONA-AL-DWG-DOOR-0312**      REV: **00**

STATUS: SAMPLE DRAWING

- \*GENERAL NOTES:
1. ALL DIMENSION AND LEVELS ARE IN FEET INCH.
  2. ALL DIMENSIONS ARE TO BE READ NOT MEASURED.
  3. ALL ELEVATIONS VIEWED AS PER SHOWN.



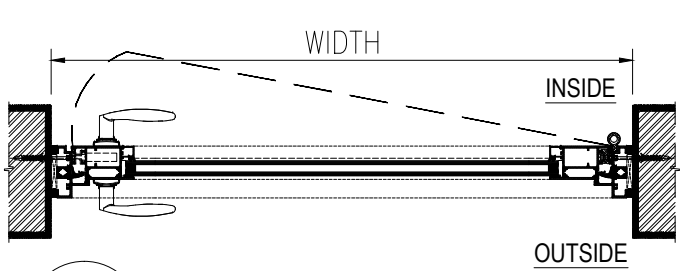
D1a ELEVATION: (VIEW OUTSIDE)  
OPT-02 SCALE: 1:13



D1a PLAN:  
- -

D1a SECTION:  
- -

D2a ELEVATION: (VIEW OUTSIDE)  
OPT-02 SCALE: 1:13



D2a PLAN:  
- -

D2a SECTION:  
- -

REFERENCE DRAWINGS:

|  |  |  |
|--|--|--|
|  |  |  |
|  |  |  |
|  |  |  |
|  |  |  |
|  |  |  |
|  |  |  |
|  |  |  |
|  |  |  |
|  |  |  |
|  |  |  |

DESIGN DRAWING NO. REV. NO. DATE:

FACADE CONSULTANT:  
**JOSEPH B. CALLAGHAN, INC.**  
1617 John F. Kennedy Blvd  
Suite 1655  
Philadelphia, PA 19103  
T: 215.665.0497

ARCHITECT DESIGN CONSULTANT:  
**KSS ARCHITECTS**  
Princeton | Philadelphia  
337 Witherspoon Street  
Princeton, NJ 08542  
T: 609.921.1131

PROJECT:  
**UNCOMMON SCHOOL**  
ADDITION AND RENOVATION  
NORTH STAR ACADEMY-571 18TH AVENUE  
571 18TH AVENUE, NEWARK, NJ 07103  
LOT 1, BLOCKS 358-359

CLIENT:  
- -

ISSUE

|  |  |  |
|--|--|--|
|  |  |  |
|  |  |  |
|  |  |  |
|  |  |  |
|  |  |  |
|  |  |  |
|  |  |  |
|  |  |  |
|  |  |  |
|  |  |  |

DISCIPLINE:

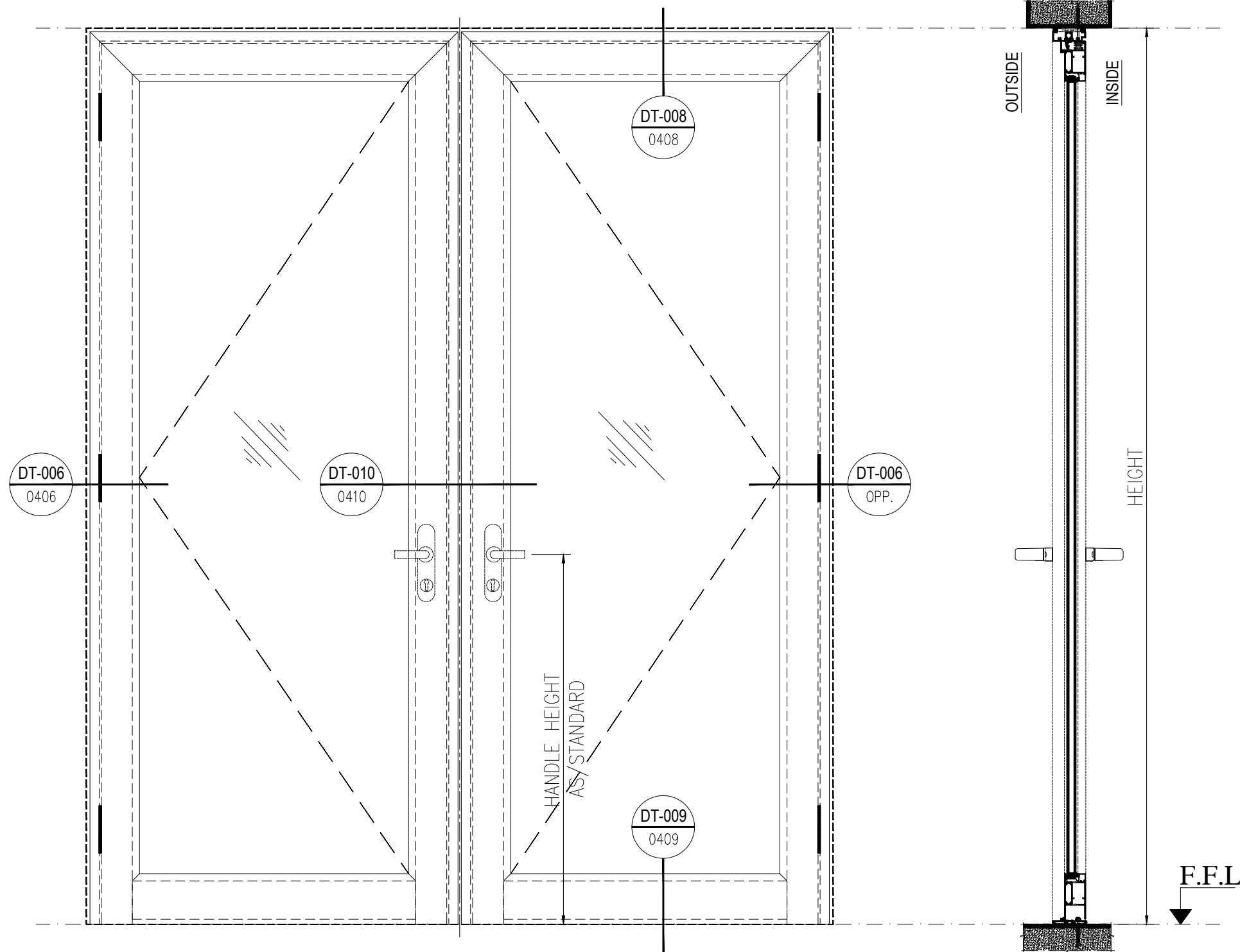
FACADE CONTRACTOR:  
 **SIMSONA CORPORATION**  
2275 Research Boulevard  
Suite 500  
Rockville, MD 20850  
Office: 301-774-0880  
Cell: 301-408-8553, FAX: 301-260-0239  
E-mail: raj@simsona.com

DRAWING TITLE:  
**SHOP DRAWING OF  
CASEMENT SINGLE DOOR (D1a & D2a)  
INSIDE OPENING**

|           |          |           |           |           |       |
|-----------|----------|-----------|-----------|-----------|-------|
| DRAWN:    | CHECKED: | APPROVED: | PAGE NO.  | PR. CODE: |       |
| DINESH    | RAJ.G    | RAJ.G     | 003       | 22308     |       |
| DATE:     | DATE:    | DATE:     | SHEET NO. | SCALE:    | SIZE: |
| 10 Dec,19 | -        | -         | 3 OF 14   | AS SHOWN  | A3    |

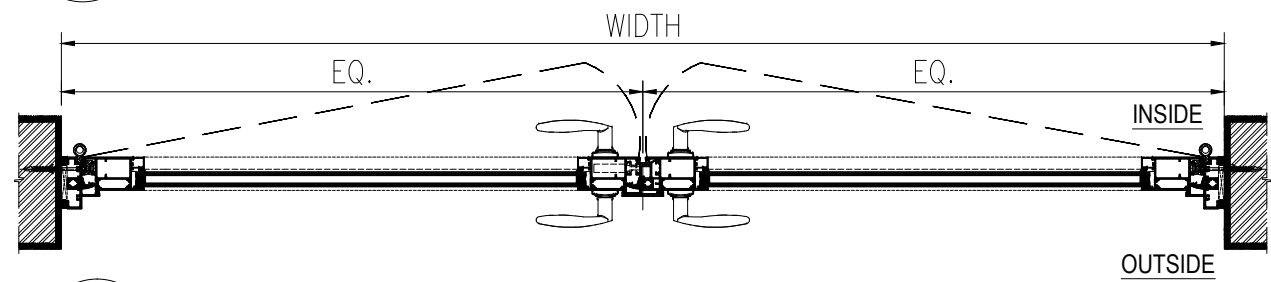
DRAWING NUMBER:  
**UNC/SCH-SIMSONA-AL-DWG-DOOR-0313**

STATUS: SAMPLE DRAWING



DD1a ELEVATION: (VIEW OUTSIDE)  
OPT-02 SCALE: 1:13

DD1a SECTION:



DD1a PLAN:

\*GENERAL NOTES:  
1. ALL DIMENSION AND LEVELS ARE IN FEET INCH.  
2. ALL DIMENSIONS ARE TO BE READ NOT MEASURED.  
3. ALL ELEVATIONS VIEWED AS PER SHOWN.

REFERENCE DRAWINGS:

|   |   |   |
|---|---|---|
| — | — | — |
| — | — | — |
| — | — | — |
| — | — | — |
| — | — | — |
| — | — | — |

DESIGN DRAWING NO.      REV. NO.      DATE:

FACADE CONSULTANT:  
**JOSEPH B. CALLAGHAN, INC.**  
1617 John F. Kennedy Blvd  
Suite 1655  
Philadelphia, PA 19103  
T: 215.665.0497

ARCHITECT DESIGN CONSULTANT:  
**KSS ARCHITECTS**  
Princeton | Philadelphia  
337 Witherspoon Street  
Princeton, NJ 08542  
T: 609.921.1131

PROJECT:  
**UNCOMMON SCHOOL**  
ADDITION AND RENOVATION  
NORTH STAR ACADEMY-571 18TH AVENUE  
571 18TH AVENUE, NEWARK, NJ 07103  
LOT 1, BLOCKS 358-359

CLIENT:  
—  
—

ISSUE

|   |   |   |
|---|---|---|
| — | — | — |
| — | — | — |
| — | — | — |
| — | — | — |
| — | — | — |
| — | — | — |
| — | — | — |
| — | — | — |
| — | — | — |
| — | — | — |

NO.      DESCRIPTION:      DATE:      REV. BY

DISCIPLINE:

FACADE CONTRACTOR:  
**SIMSONA CORPORATION**  
2275 Research Boulevard  
Suite 500  
Rockville, MD 20850  
Office: 301-774-0880  
Cell: 301-408-8553, FAX: 301-260-0239  
E-mail: raj@simsona.com

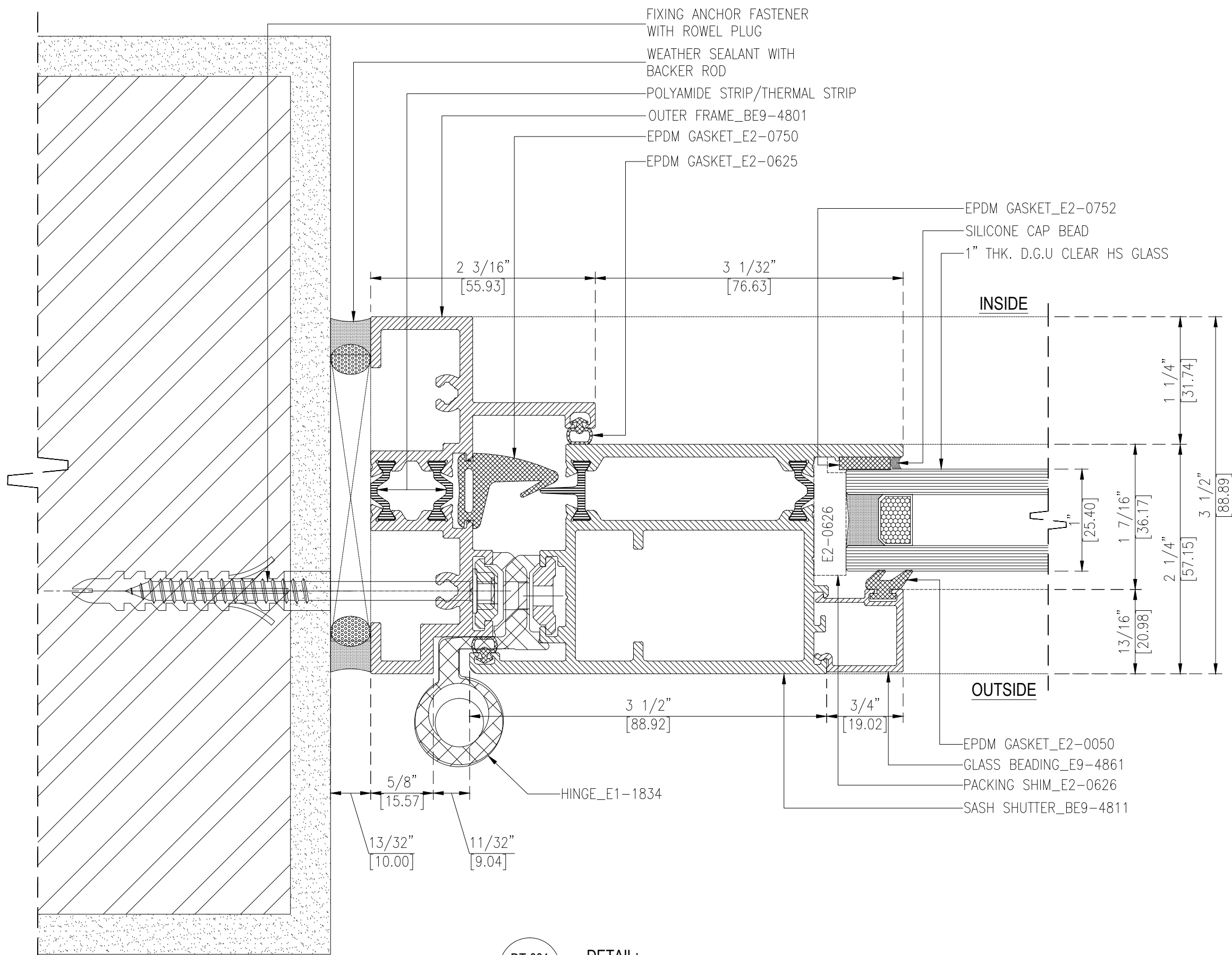
DRAWING TITLE:  
**SHOP DRAWING OF  
CASEMENT DOUBLE DOOR (DD1a)  
INSIDE OPENING**

|           |          |           |           |           |       |
|-----------|----------|-----------|-----------|-----------|-------|
| DRAWN:    | CHECKED: | APPROVED: | PAGE NO.  | PR. CODE: |       |
| DINESH    | RAJ.G    | RAJ.G     | 004       | 22308     |       |
| DATE:     | DATE:    | DATE:     | SHEET NO. | SCALE:    | SIZE: |
| 10 Dec,19 | —        | —         | 4 OF 14   | AS SHOWN  | A3    |

DRAWING NUMBER:  
**UNC/SCH-SIMSONA-AL-DWG-DOOR-0314**

REV: 00

STATUS: SAMPLE DRAWING



**\*GENERAL NOTES:**  
 1. ALL DIMENSION AND LEVELS ARE IN FEET INCH.  
 2. ALL DIMENSIONS ARE TO BE READ NOT MEASURED.  
 3. ALL ELEVATIONS VIEWED AS PER SHOWN.

**REFERENCE DRAWINGS:**

|     |     |     |
|-----|-----|-----|
| --- | --- | --- |
| --- | --- | --- |
| --- | --- | --- |
| --- | --- | --- |
| --- | --- | --- |
| --- | --- | --- |
| --- | --- | --- |

DESIGN DRAWING NO. \_\_\_\_\_ REV. NO. \_\_\_\_\_ DATE: \_\_\_\_\_

**FACADE CONSULTANT:**  
**JOSEPH B. CALLAGHAN, INC.**  
 1617 John F. Kennedy Blvd  
 Suite 1655  
 Philadelphia, PA 19103  
 T: 215.665.0497

**ARCHITECT DESIGN CONSULTANT:**  
**KSS ARCHITECTS**  
 Princeton | Philadelphia  
 337 Witherspoon Street  
 Princeton, NJ 08542  
 T: 609.921.1131

**PROJECT:**  
**UNCOMMON SCHOOL**  
 ADDITION AND RENOVATION  
 NORTH STAR ACADEMY-571 18TH AVENUE  
 571 18TH AVENUE, NEWARK, NJ 07103  
 LOT 1, BLOCKS 358-359

**CLIENT:**  
 ---  
 ---

**ISSUE**

|     |     |     |
|-----|-----|-----|
| --- | --- | --- |
| --- | --- | --- |
| --- | --- | --- |
| --- | --- | --- |
| --- | --- | --- |
| --- | --- | --- |
| --- | --- | --- |

| NO. | DESCRIPTION: | DATE: | REV. BY: |
|-----|--------------|-------|----------|
|-----|--------------|-------|----------|

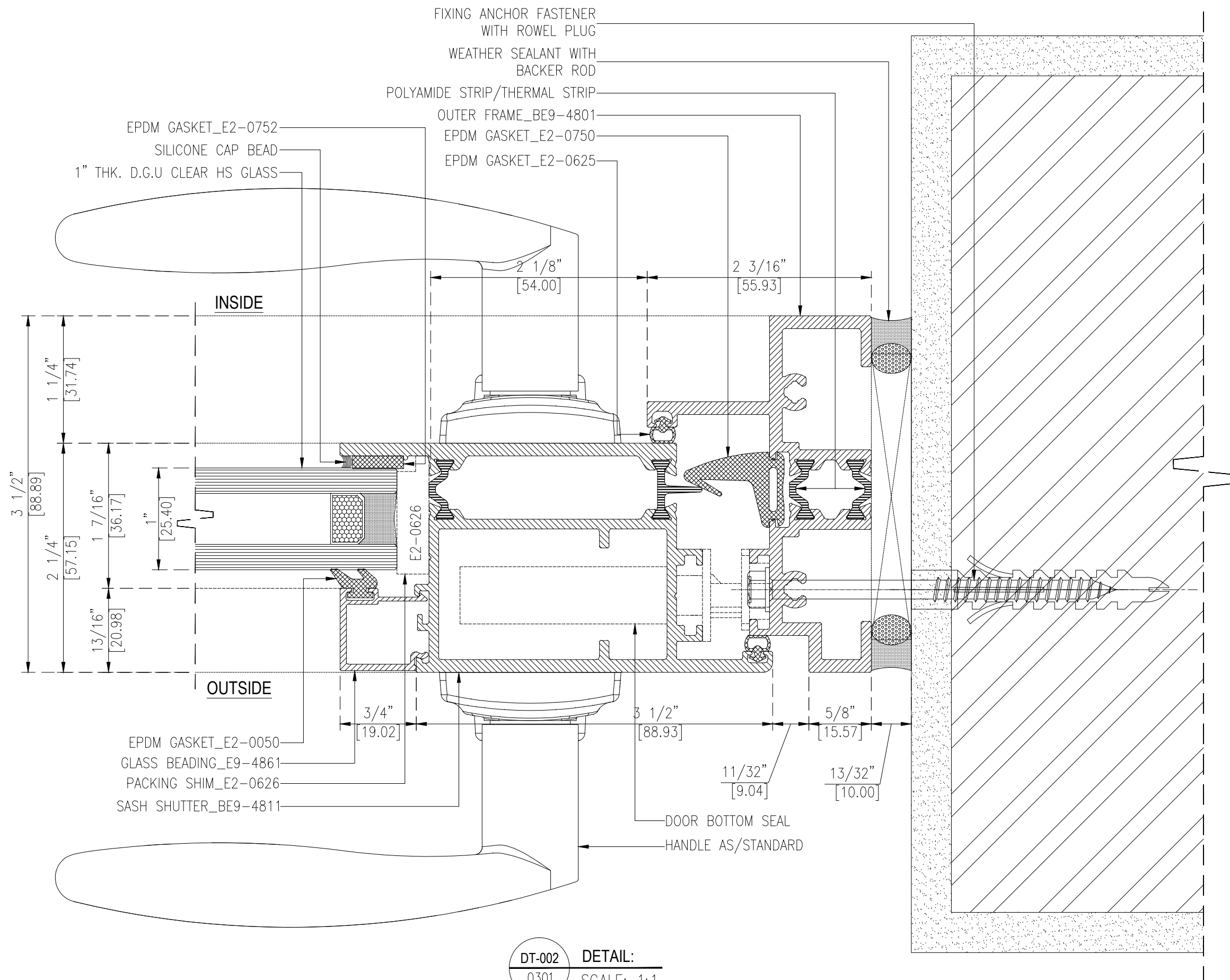
**DISCIPLINE:**

**FACADE CONTRACTOR:**  
 **SIMSONA CORPORATION**  
 2275 Research Boulevard  
 Suite 500  
 Rockville, MD 20850  
 Office: 301-774-0880  
 Cell: 301-408-8553, FAX: 301-260-0239  
 E-mail: raj@simsona.com

**DRAWING TITLE:**  
 DETAIL-001

|                                |          |           |           |           |       |
|--------------------------------|----------|-----------|-----------|-----------|-------|
| DRAWN:                         | CHECKED: | APPROVED: | PAGE NO.  | PR. CODE: |       |
| DINESH                         | RAJ.G    | RAJ.G     | 005       | 22308     |       |
| DATE:                          | DATE:    | DATE:     | SHEET NO. | SCALE:    | SIZE: |
| 10 Dec, 19                     | -        | -         | 5 OF 14   | AS SHOWN  | A3    |
| DRAWING NUMBER:                |          |           |           | REV:      |       |
| UNC/SCH-SIMSONA-AL-DWG-DT-0401 |          |           |           | 00        |       |
| STATUS: SAMPLE DRAWING         |          |           |           |           |       |

DT-001  
 0301 & 0302  
 DETAIL:  
 SCALE: 1:1



\*GENERAL NOTES:  
 1. ALL DIMENSION AND LEVELS ARE IN FEET INCH.  
 2. ALL DIMENSIONS ARE TO BE READ NOT MEASURED.  
 3. ALL ELEVATIONS VIEWED AS PER SHOWN.

REFERENCE DRAWINGS:

|  |  |  |
|--|--|--|
|  |  |  |
|  |  |  |
|  |  |  |
|  |  |  |
|  |  |  |
|  |  |  |

DESIGN DRAWING NO.      REV. NO.      DATE:

FACADE CONSULTANT:  
**JOSEPH B. CALLAGHAN, INC.**  
 1617 John F. Kennedy Blvd  
 Suite 1655  
 Philadelphia, PA 19103  
 T: 215.665.0497

ARCHITECT DESIGN CONSULTANT:  
**KSS ARCHITECTS**  
 Princeton | Philadelphia  
 337 Witherspoon Street  
 Princeton, NJ 08542  
 T: 609.921.1131

PROJECT:  
**UNCOMMON SCHOOL**  
 ADDITION AND RENOVATION  
 NORTH STAR ACADEMY-571 18TH AVENUE  
 571 18TH AVENUE, NEWARK, NJ 07103  
 LOT 1, BLOCKS 358-359

CLIENT:  
 -  
 -

ISSUE

|  |  |  |  |
|--|--|--|--|
|  |  |  |  |
|  |  |  |  |
|  |  |  |  |
|  |  |  |  |
|  |  |  |  |
|  |  |  |  |
|  |  |  |  |
|  |  |  |  |
|  |  |  |  |
|  |  |  |  |

NO.      DESCRIPTION:      DATE:      REV. BY

DISCIPLINE:

FACADE CONTRACTOR:  
 **SIMSONA CORPORATION**  
 2275 Research Boulevard  
 Suite 500  
 Rockville, MD 20850  
 Office: 301-774-0880  
 Cell: 301-408-8553, FAX: 301-260-0239  
 E-mail: raj@simsona.com

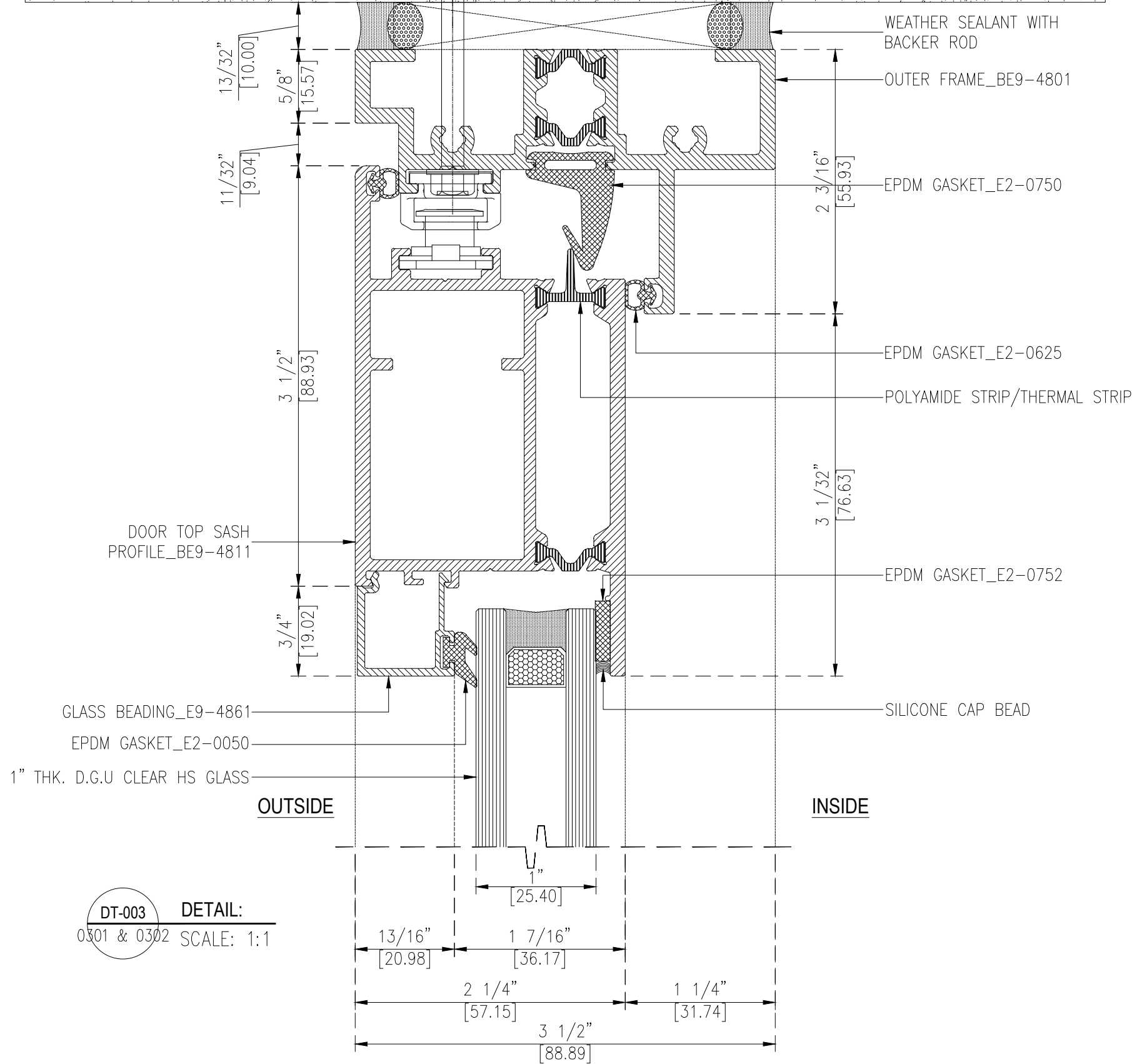
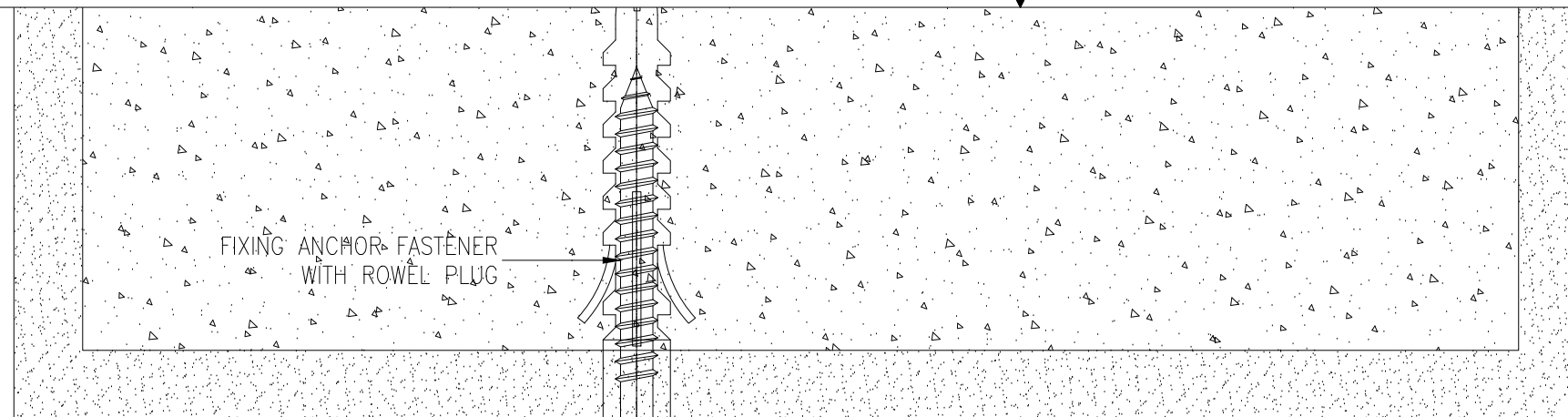
DRAWING TITLE:  
**DETAIL-002**

|           |          |           |           |           |
|-----------|----------|-----------|-----------|-----------|
| DRAWN:    | CHECKED: | APPROVED: | PAGE NO.  | PR. CODE: |
| DINESH    | RAJ.G    | RAJ.G     | 006       | 22308     |
| DATE:     | DATE:    | DATE:     | SHEET NO. | SCALE:    |
| 10 Dec,19 | -        | -         | 6 OF 14   | AS SHOWN  |
|           |          |           |           | SIZE:     |
|           |          |           |           | A3        |

DRAWING NUMBER:  
**UNC/SCH-SIMSONA-AL-DWG-DT-0402**      REV: **00**

STATUS: SAMPLE DRAWING

**DT-002**      **DETAIL:**  
 0301      **SCALE: 1:1**



**DT-003** DETAIL:  
0301 & 0302 SCALE: 1:1

\*GENERAL NOTES:  
1. ALL DIMENSION AND LEVELS ARE IN FEET INCH.  
2. ALL DIMENSIONS ARE TO BE READ NOT MEASURED.  
3. ALL ELEVATIONS VIEWED AS PER SHOWN.

REFERENCE DRAWINGS:

|  |  |  |
|--|--|--|
|  |  |  |
|  |  |  |
|  |  |  |
|  |  |  |
|  |  |  |
|  |  |  |

DESIGN DRAWING NO. REV. NO. DATE:

FACADE CONSULTANT:  
**JOSEPH B. CALLAGHAN, INC.**  
1617 John F. Kennedy Blvd  
Suite 1655  
Philadelphia, PA 19103  
T: 215.665.0497

ARCHITECT DESIGN CONSULTANT:  
**KSS ARCHITECTS**  
Princeton | Philadelphia  
337 Witherspoon Street  
Princeton, NJ 08542  
T: 609.921.1131

PROJECT:  
**UNCOMMON SCHOOL**  
ADDITION AND RENOVATION  
NORTH STAR ACADEMY-571 18TH AVENUE  
571 18TH AVENUE, NEWARK, NJ 07103  
LOT 1, BLOCKS 358-359

CLIENT:

ISSUE

|  |  |  |  |
|--|--|--|--|
|  |  |  |  |
|  |  |  |  |
|  |  |  |  |
|  |  |  |  |
|  |  |  |  |
|  |  |  |  |
|  |  |  |  |
|  |  |  |  |
|  |  |  |  |
|  |  |  |  |

NO. DESCRIPTION: DATE: REV.BY

DISCIPLINE:

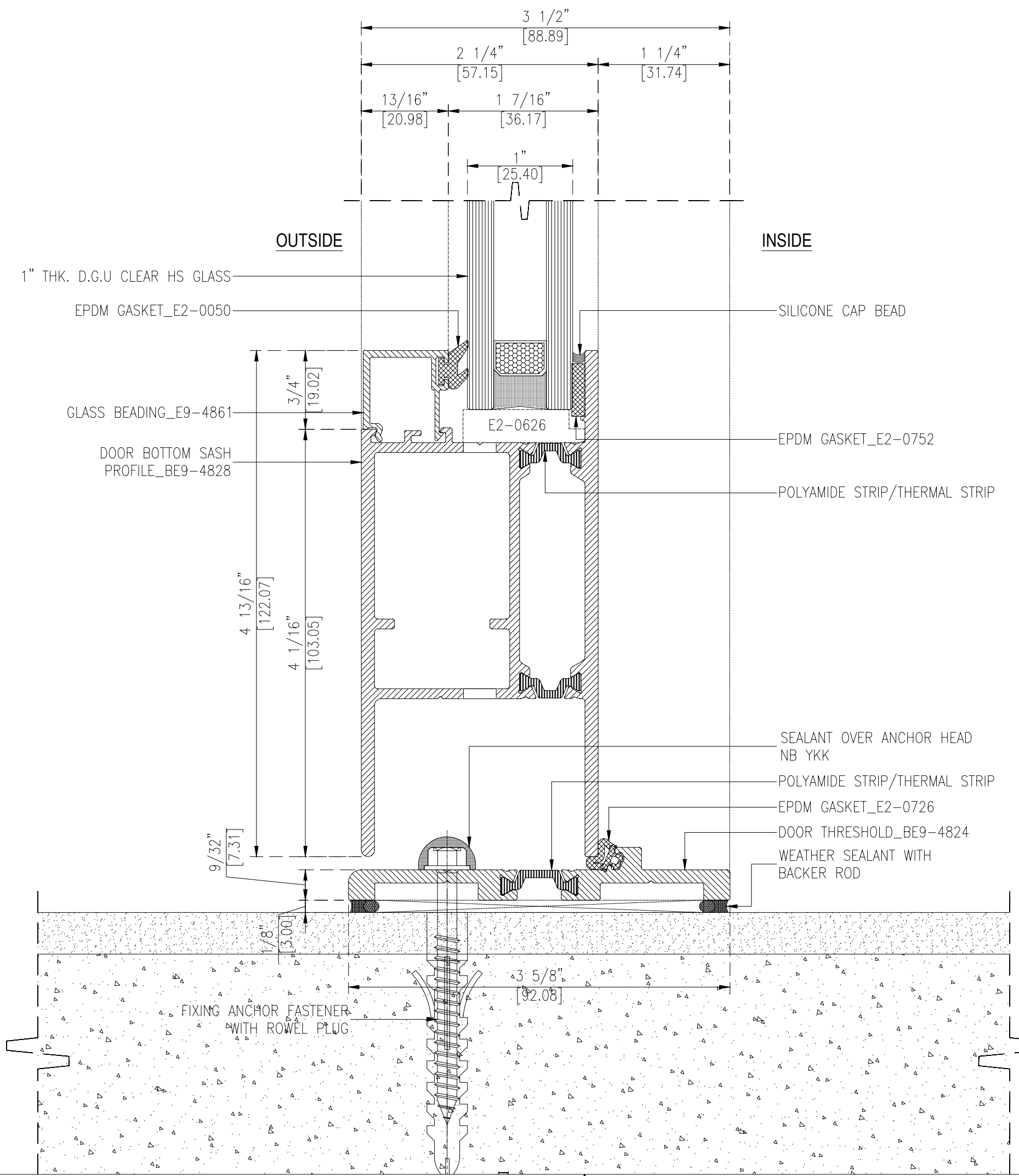
FACADE CONTRACTOR:  
**SIMSONA CORPORATION**  
2275 Research Boulevard  
Suite 500  
Rockville, MD 20850  
Office: 301-774-0880  
Cell: 301-408-8553, FAX: 301-260-0239  
E-mail: raj@simsona.com

DRAWING TITLE:  
**DETAIL-003**

|           |          |           |           |           |       |
|-----------|----------|-----------|-----------|-----------|-------|
| DRAWN:    | CHECKED: | APPROVED: | PAGE NO.  | PR. CODE: |       |
| DINESH    | RAJ.G    | RAJ.G     | 007       | 22308     |       |
| DATE:     | DATE:    | DATE:     | SHEET NO. | SCALE:    | SIZE: |
| 10 Dec,19 | -        | -         | 7 OF 14   | AS SHOWN  | A3    |

DRAWING NUMBER:  
**UNC/SCH-SIMSONA-AL-DWG-DT-0403**

STATUS: SAMPLE DRAWING



\*GENERAL NOTES:  
 1. ALL DIMENSION AND LEVELS ARE IN FEET INCH.  
 2. ALL DIMENSIONS ARE TO BE READ NOT MEASURED.  
 3. ALL ELEVATIONS VIEWED AS PER SHOWN.

| REFERENCE DRAWINGS: |          |       |
|---------------------|----------|-------|
| _____               | ---      | ---   |
| _____               | ---      | ---   |
| _____               | ---      | ---   |
| _____               | ---      | ---   |
| _____               | ---      | ---   |
| DESIGN DRAWING NO.  | REV. NO. | DATE: |

FACADE CONSULTANT:  
**JOSEPH B. CALLAGHAN, INC.**  
 1617 John F. Kennedy Blvd  
 Suite 1655  
 Philadelphia, PA 19103  
 T: 215.665.0497

ARCHITECT DESIGN CONSULTANT:  
**KSS ARCHITECTS**  
 Princeton | Philadelphia  
 337 Witherspoon Street  
 Princeton, NJ 08542  
 T: 609.921.1131

PROJECT:  
**UNCOMMON SCHOOL**  
 ADDITION AND RENOVATION  
 NORTH STAR ACADEMY-571 18TH AVENUE  
 571 18TH AVENUE, NEWARK, NJ 07103  
 LOT 1, BLOCKS 358-359

CLIENT:  
 --  
 --

| ISSUE |     |     |     |
|-------|-----|-----|-----|
| ---   | --- | --- | --- |
| ---   | --- | --- | --- |
| ---   | --- | --- | --- |
| ---   | --- | --- | --- |
| ---   | --- | --- | --- |
| ---   | --- | --- | --- |
| ---   | --- | --- | --- |
| ---   | --- | --- | --- |

| NO. | DESCRIPTION: | DATE: | REV. BY: |
|-----|--------------|-------|----------|
|     |              |       |          |

DISCIPLINE:  
 FACADE CONTRACTOR:  
 **SIMSONA CORPORATION**  
 2275 Research Boulevard  
 Suite 500  
 Rockville, MD 20850  
 Office: 301-774-0880  
 Cell: 301-408-8553, FAX: 301-260-0239  
 E-mail: raj@simsona.com

DRAWING TITLE:  
**DETAIL-004**

| DRAWN: | CHECKED: | APPROVED: | PAGE NO. | PR. CODE: |
|--------|----------|-----------|----------|-----------|
| DINESH | RAJ.G    | RAJ.G     | 008      | 22308     |

| DATE:      | DATE: | DATE: | SHEET NO. | SCALE:   | SIZE: |
|------------|-------|-------|-----------|----------|-------|
| 10 Dec, 19 | ---   | ---   | 8 OF 14   | AS SHOWN | A3    |

DRAWING NUMBER:  
**UNC/SCH-SIMSONA-AL-DWG-DT-0404**

REV:  
**00**

STATUS: SAMPLE DRAWING

DT-004  
 0301 & 0302  
 SCALE: 1:1



\*GENERAL NOTES:

1. ALL DIMENSION AND LEVELS ARE IN FEET INCH.
2. ALL DIMENSIONS ARE TO BE READ NOT MEASURED.
3. ALL ELEVATIONS VIEWED AS PER SHOWN.

REFERENCE DRAWINGS:

|     |     |     |
|-----|-----|-----|
| --- | --- | --- |
| --- | --- | --- |
| --- | --- | --- |
| --- | --- | --- |
| --- | --- | --- |
| --- | --- | --- |

DESIGN DRAWING NO.      REV. NO.      DATE:

FACADE CONSULTANT:  
**JOSEPH B. CALLAGHAN, INC.**  
 1617 John F. Kennedy Blvd  
 Suite 1655  
 Philadelphia, PA 19103  
 T: 215.665.0497

ARCHITECT DESIGN CONSULTANT:  
**KSS ARCHITECTS**  
 Princeton | Philadelphia  
 337 Witherspoon Street  
 Princeton, NJ 08542  
 T: 609.921.1131

PROJECT:

**UNCOMMON SCHOOL**  
 ADDITION AND RENOVATION  
 NORTH STAR ACADEMY-571 18TH AVENUE  
 571 18TH AVENUE, NEWARK, NJ 07103  
 LOT 1, BLOCKS 358-359

CLIENT:

ISSUE

|     |     |     |     |
|-----|-----|-----|-----|
| --- | --- | --- | --- |
| --- | --- | --- | --- |
| --- | --- | --- | --- |
| --- | --- | --- | --- |
| --- | --- | --- | --- |
| --- | --- | --- | --- |
| --- | --- | --- | --- |
| --- | --- | --- | --- |
| --- | --- | --- | --- |

NO.      DESCRIPTION:      DATE:      REV. BY

DISCIPLINE:

FACADE CONTRACTOR:

**SIMSONA CORPORATION**  
 2275 Research Boulevard  
 Suite 500  
 Rockville, MD 20850  
 Office: 301-774-0880  
 Cell: 301-408-8553, FAX: 301-260-0239  
 E-mail: raj@simsona.com

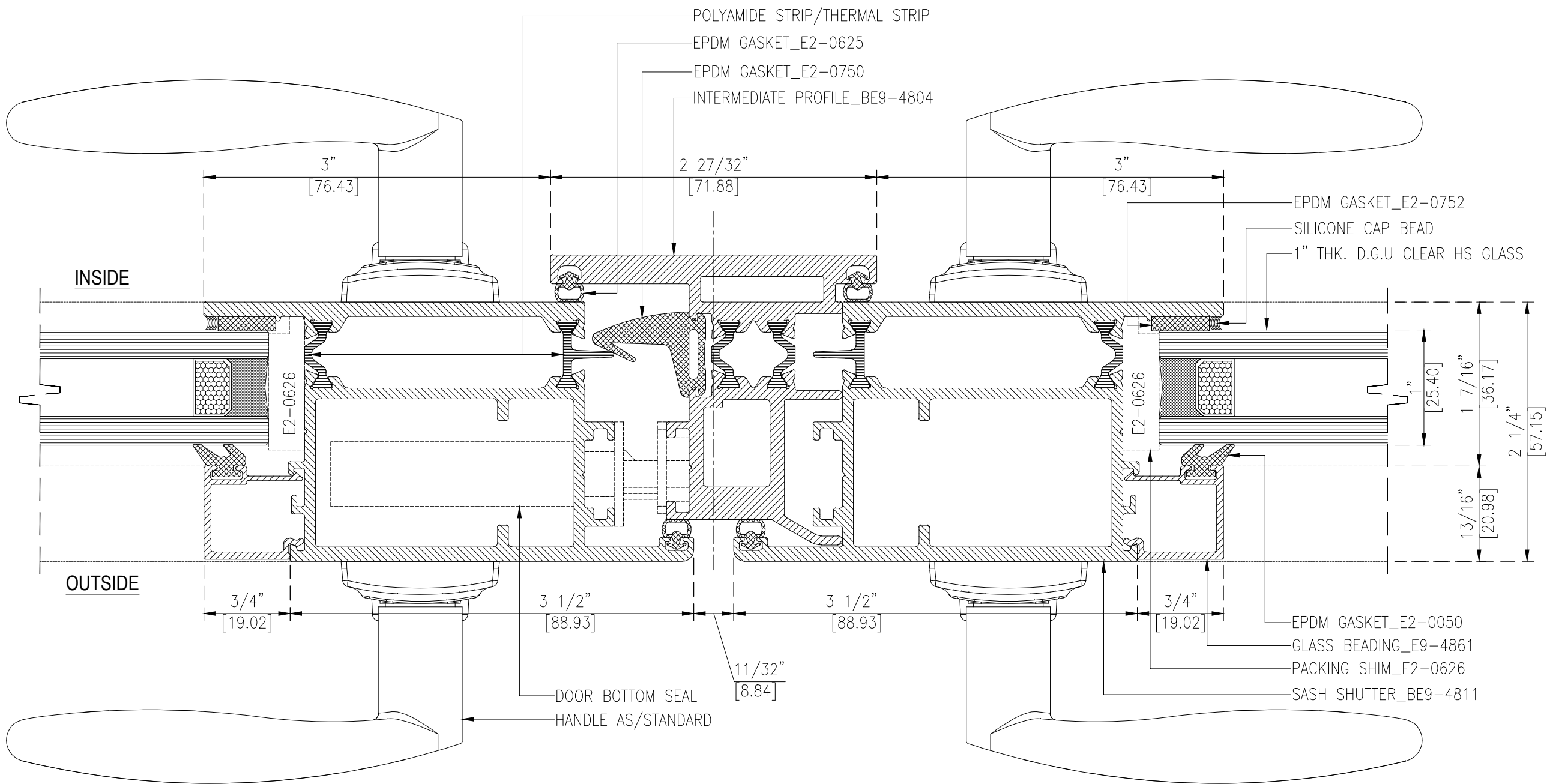
DRAWING TITLE:

DETAIL-005

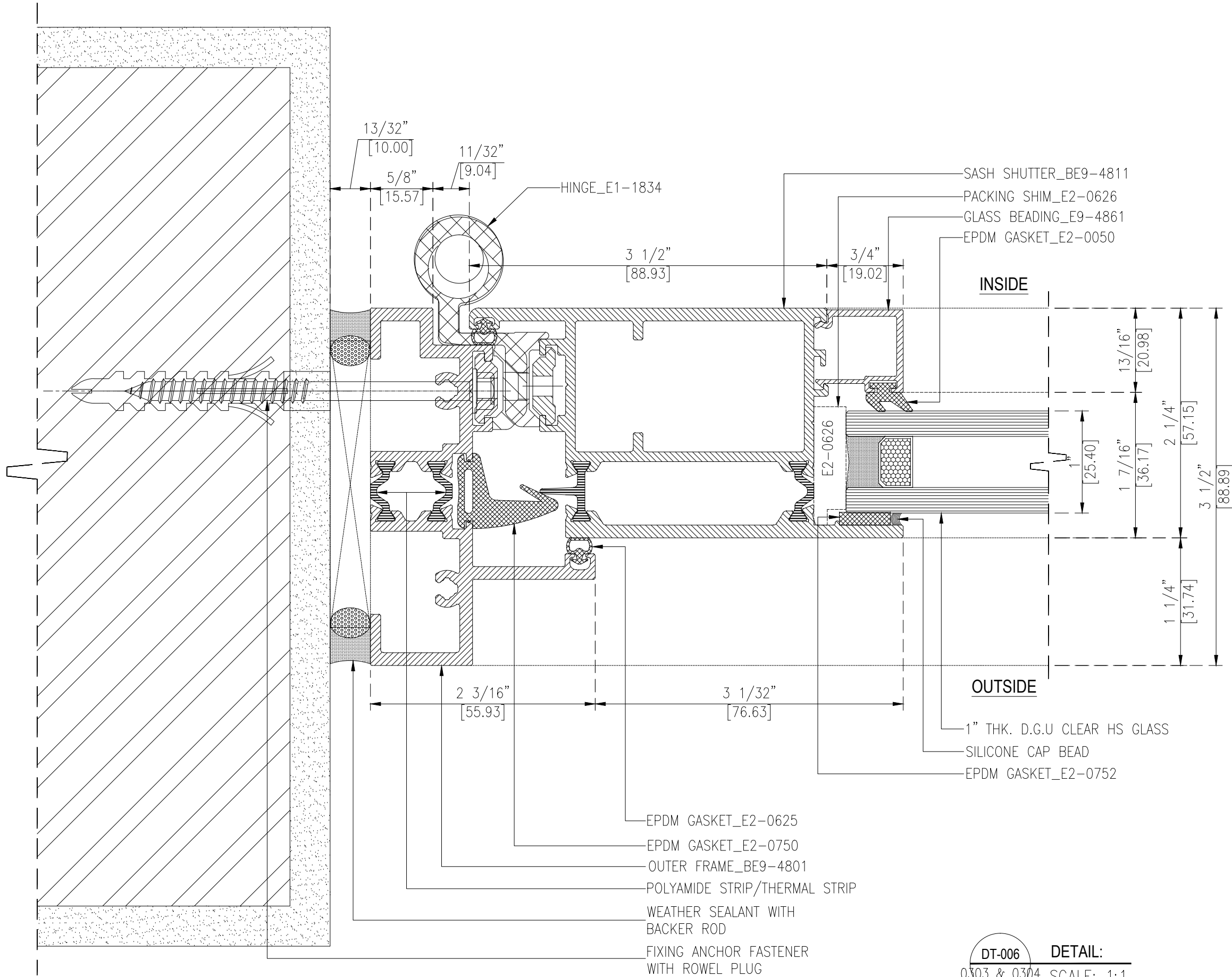
|            |          |           |           |           |
|------------|----------|-----------|-----------|-----------|
| DRAWN:     | CHECKED: | APPROVED: | PAGE NO.  | PR. CODE: |
| DINESH     | RAJ.G    | RAJ.G     | 009       | 22308     |
| DATE:      | DATE:    | DATE:     | SHEET NO. | SCALE:    |
| 10 Dec, 19 | ---      | ---       | 9 OF 14   | AS SHOWN  |
|            |          |           |           | SIZE:     |
|            |          |           |           | A3        |

DRAWING NUMBER:      REV:  
 UNC/SCH-SIMSONA-AL-DWG-DT-0405      00

STATUS: SAMPLE DRAWING



DT-005      DETAIL:  
 0302      SCALE: 1:1



DT-006  
0303 & 0304  
DETAIL:  
SCALE: 1:1

\*GENERAL NOTES:

1. ALL DIMENSION AND LEVELS ARE IN FEET INCH.
2. ALL DIMENSIONS ARE TO BE READ NOT MEASURED.
3. ALL ELEVATIONS VIEWED AS PER SHOWN.

REFERENCE DRAWINGS:

|       |       |       |
|-------|-------|-------|
| _____ | _____ | _____ |
| _____ | _____ | _____ |
| _____ | _____ | _____ |
| _____ | _____ | _____ |
| _____ | _____ | _____ |
| _____ | _____ | _____ |

DESIGN DRAWING NO. REV. NO. DATE:

FACADE CONSULTANT:

**JOSEPH B. CALLAGHAN, INC.**  
1617 John F. Kennedy Blvd  
Suite 1655  
Philadelphia, PA 19103  
T: 215.665.0497

ARCHITECT DESIGN CONSULTANT:

**KSS ARCHITECTS**  
Princeton | Philadelphia  
337 Witherspoon Street  
Princeton, NJ 08542  
T: 609.921.1131

PROJECT:

**UNCOMMON SCHOOL**  
ADDITION AND RENOVATION  
NORTH STAR ACADEMY-571 18TH AVENUE  
571 18TH AVENUE, NEWARK, NJ 07103  
LOT 1, BLOCKS 358-359

CLIENT:

ISSUE

|       |       |       |
|-------|-------|-------|
| _____ | _____ | _____ |
| _____ | _____ | _____ |
| _____ | _____ | _____ |
| _____ | _____ | _____ |
| _____ | _____ | _____ |
| _____ | _____ | _____ |
| _____ | _____ | _____ |
| _____ | _____ | _____ |
| _____ | _____ | _____ |
| _____ | _____ | _____ |

NO. DESCRIPTION: DATE: REV.BY

DISCIPLINE:

FACADE CONTRACTOR:

 **SIMSONA CORPORATION**  
2275 Research Boulevard  
Suite 500  
Rockville, MD 20850  
Office: 301-774-0880  
Cell: 301-408-8553, FAX: 301-260-0239  
E-mail: raj@simsona.com

DRAWING TITLE:

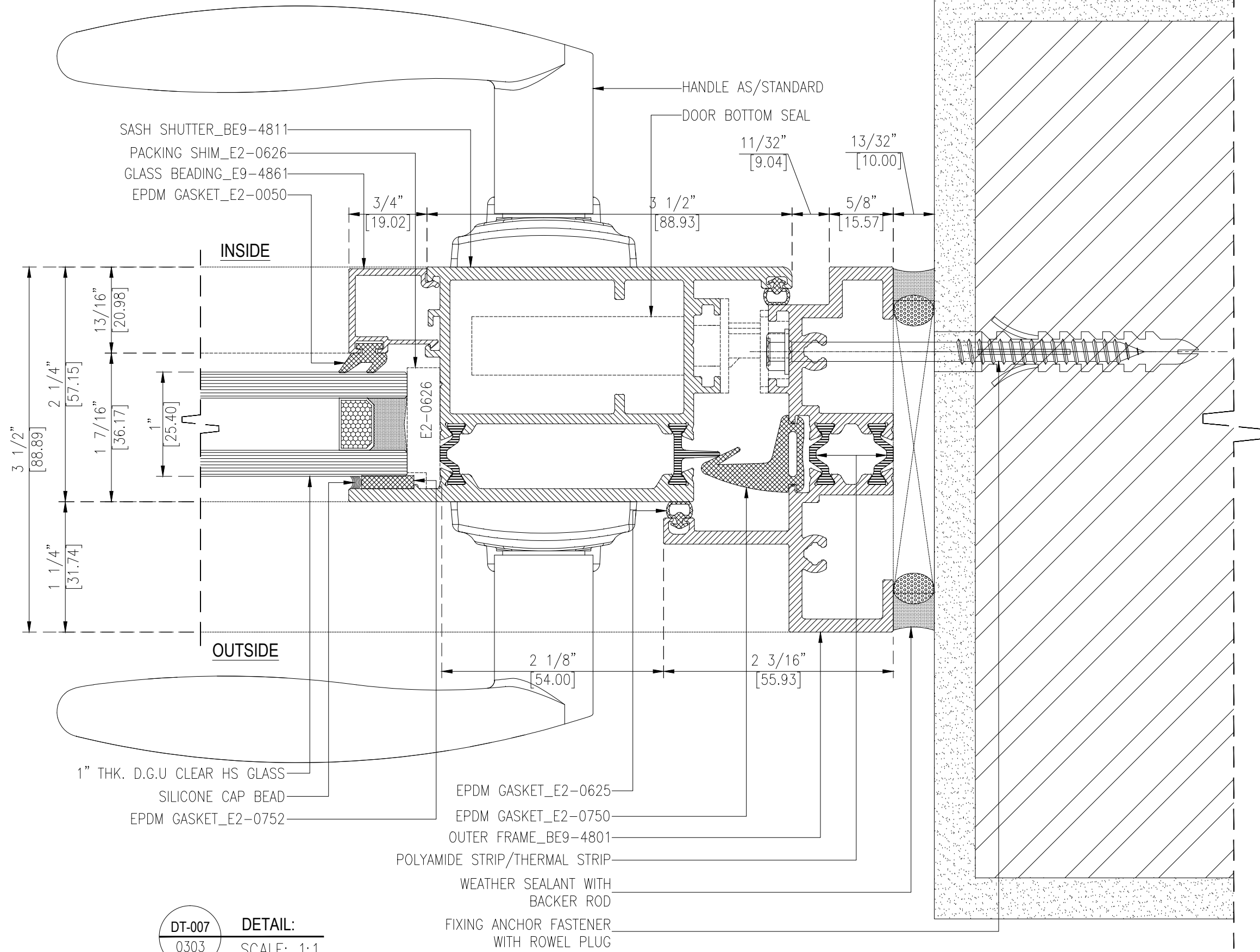
**DETAIL-006**

|           |          |           |           |           |
|-----------|----------|-----------|-----------|-----------|
| DRAWN:    | CHECKED: | APPROVED: | PAGE NO.  | PR. CODE: |
| DINESH    | RAJ.G    | RAJ.G     | 010       | 22308     |
| DATE:     | DATE:    | DATE:     | SHEET NO. | SCALE:    |
| 10 Dec,19 | -        | -         | 10 OF 14  | AS SHOWN  |
|           |          |           |           | SIZE:     |
|           |          |           |           | A3        |

DRAWING NUMBER: REV:

UNC/SCH-SIMSONA-AL-DWG-DT-0406 00

STATUS: SAMPLE DRAWING



\*GENERAL NOTES:  
 1. ALL DIMENSION AND LEVELS ARE IN FEET INCH.  
 2. ALL DIMENSIONS ARE TO BE READ NOT MEASURED.  
 3. ALL ELEVATIONS VIEWED AS PER SHOWN.

REFERENCE DRAWINGS:

|  |  |  |
|--|--|--|
|  |  |  |
|  |  |  |
|  |  |  |
|  |  |  |
|  |  |  |
|  |  |  |

DESIGN DRAWING NO.    REV. NO.    DATE:

FACADE CONSULTANT:  
**JOSEPH B. CALLAGHAN, INC.**  
 1617 John F. Kennedy Blvd  
 Suite 1655  
 Philadelphia, PA 19103  
 T: 215.665.0497

ARCHITECT DESIGN CONSULTANT:  
**KSS ARCHITECTS**  
 Princeton | Philadelphia  
 337 Witherspoon Street  
 Princeton, NJ 08542  
 T: 609.921.1131

PROJECT:  
**UNCOMMON SCHOOL**  
 ADDITION AND RENOVATION  
 NORTH STAR ACADEMY-571 18TH AVENUE  
 571 18TH AVENUE, NEWARK, NJ 07103  
 LOT 1, BLOCKS 358-359

CLIENT:  
 -

ISSUE

|  |  |  |  |
|--|--|--|--|
|  |  |  |  |
|  |  |  |  |
|  |  |  |  |
|  |  |  |  |
|  |  |  |  |
|  |  |  |  |
|  |  |  |  |
|  |  |  |  |
|  |  |  |  |
|  |  |  |  |
|  |  |  |  |
|  |  |  |  |

NO.    DESCRIPTION:    DATE:    REV.BY

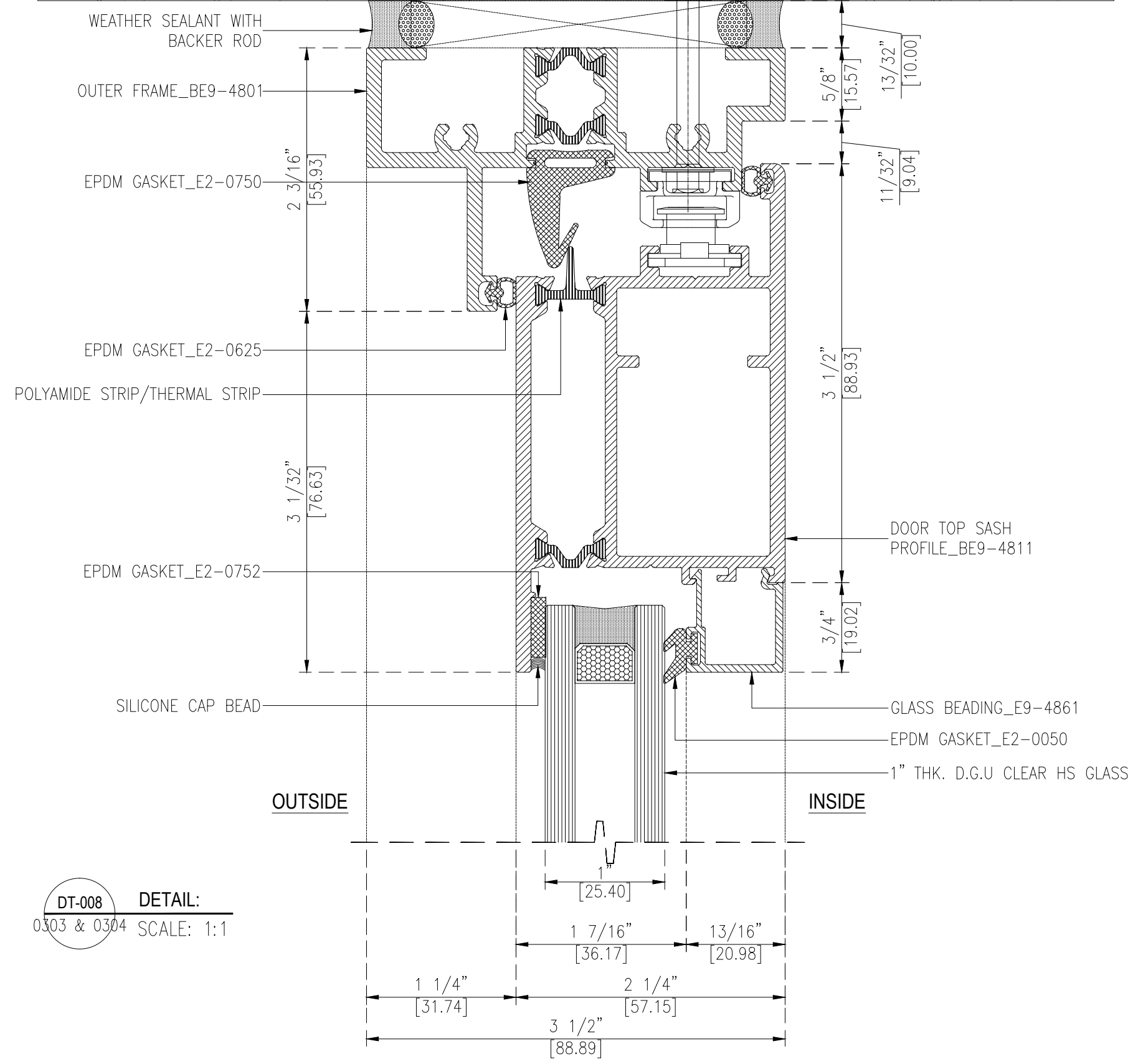
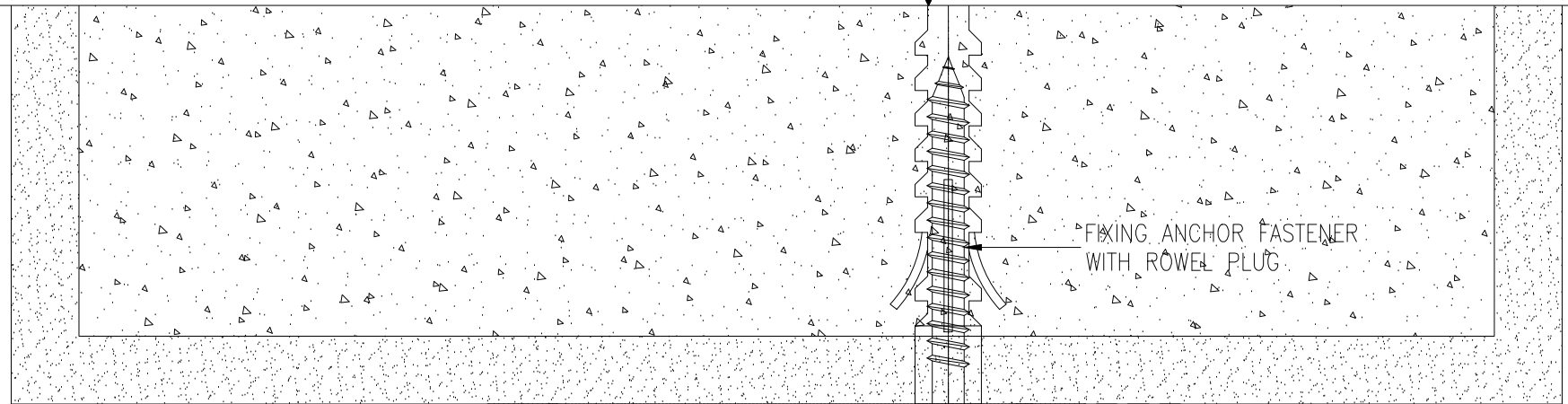
DISCIPLINE:

FACADE CONTRACTOR:  
 **SIMSONA CORPORATION**  
 2275 Research Boulevard  
 Suite 500  
 Rockville, MD 20850  
 Office: 301-774-0880  
 Cell: 301-408-8553, FAX: 301-260-0239  
 E-mail: raj@simsona.com

DRAWING TITLE:  
**DETAIL-007**

**DT-007**  
 0303    **DETAIL:**  
 SCALE: 1:1

|   |          |           |           |           |            |
|---|----------|-----------|-----------|-----------|------------|
| DRAWN:  | CHECKED: | APPROVED: | PAGE NO.  | PR. CODE: |            |
| DINESH  | RAJ.G    | RAJ.G     | 011       | 22308     |            |
| DATE:   | DATE:    | DATE:     | SHEET NO. | SCALE:    | SIZE:      |
| 10 Dec,19   | -        | -         | 11 OF 14  | AS SHOWN  | A3         |
| DRAWING NUMBER:<br>UNC/SCH-SIMSONA-AL-DWG-DT-0407 |          |           |           |           | REV:<br>00 |
| STATUS: SAMPLE DRAWING                            |          |           |           |           |            |



DT-008  
0303 & 0304  
DETAIL:  
SCALE: 1:1

\*GENERAL NOTES:  
1. ALL DIMENSION AND LEVELS ARE IN FEET INCH.  
2. ALL DIMENSIONS ARE TO BE READ NOT MEASURED.  
3. ALL ELEVATIONS VIEWED AS PER SHOWN.

REFERENCE DRAWINGS:

|  |  |  |
|--|--|--|
|  |  |  |
|  |  |  |
|  |  |  |
|  |  |  |
|  |  |  |
|  |  |  |

DESIGN DRAWING NO.    REV. NO.    DATE:

FACADE CONSULTANT:  
**JOSEPH B. CALLAGHAN, INC.**  
1617 John F. Kennedy Blvd  
Suite 1655  
Philadelphia, PA 19103  
T: 215.665.0497

ARCHITECT DESIGN CONSULTANT:  
**KSS ARCHITECTS**  
Princeton | Philadelphia  
337 Witherspoon Street  
Princeton, NJ 08542  
T: 609.921.1131

PROJECT:  
**UNCOMMON SCHOOL**  
ADDITION AND RENOVATION  
NORTH STAR ACADEMY-571 18TH AVENUE  
571 18TH AVENUE, NEWARK, NJ 07103  
LOT 1, BLOCKS 358-359

CLIENT:

ISSUE

|  |  |  |  |
|--|--|--|--|
|  |  |  |  |
|  |  |  |  |
|  |  |  |  |
|  |  |  |  |
|  |  |  |  |
|  |  |  |  |
|  |  |  |  |
|  |  |  |  |
|  |  |  |  |
|  |  |  |  |

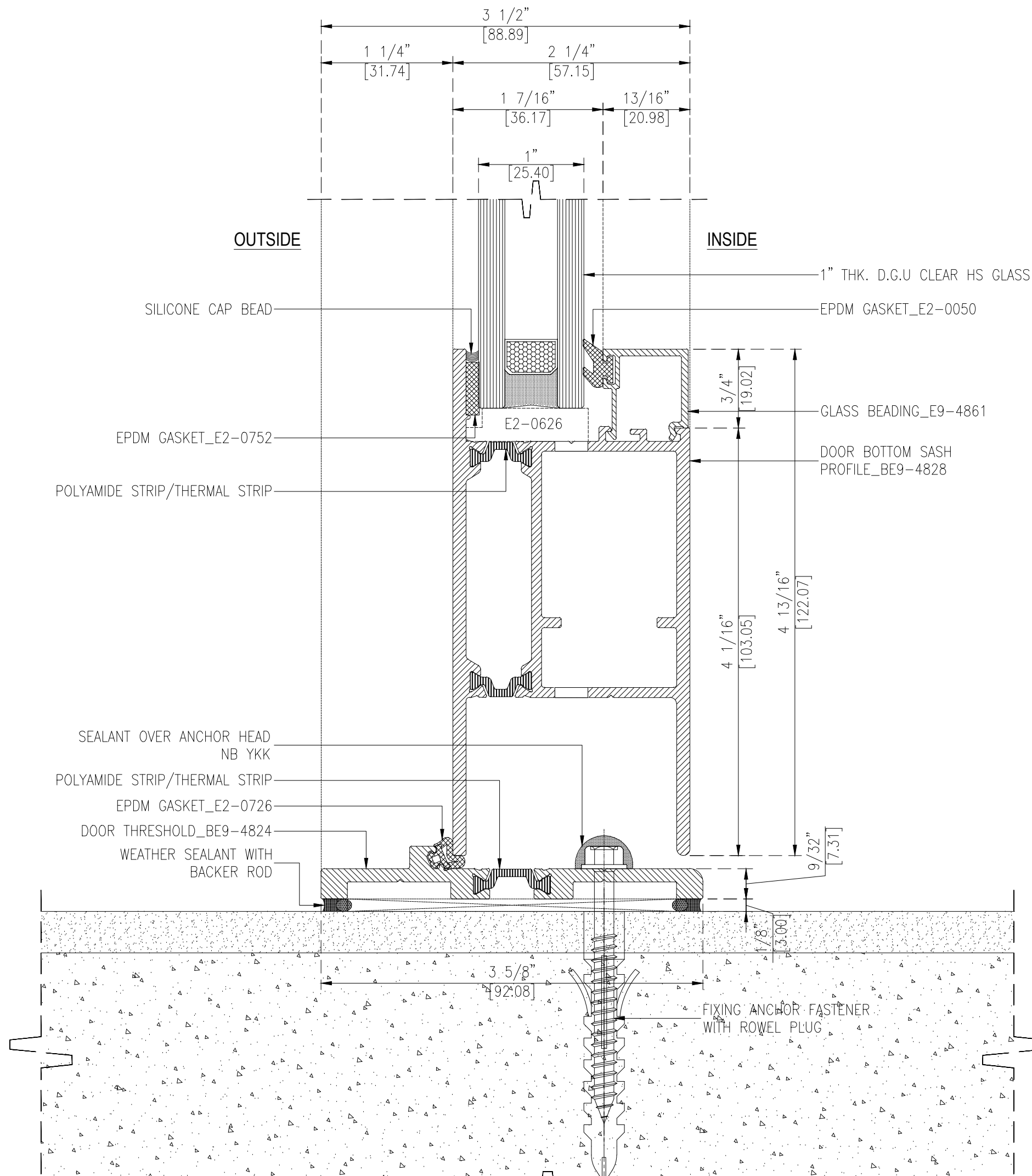
| NO. | DESCRIPTION: | DATE: | REV.BY |
|-----|--------------|-------|--------|
|     |              |       |        |
|     |              |       |        |
|     |              |       |        |
|     |              |       |        |
|     |              |       |        |
|     |              |       |        |

DISCIPLINE:

FACADE CONTRACTOR:  
**SIMSONA CORPORATION**  
2275 Research Boulevard  
Suite 500  
Rockville, MD 20850  
Office: 301-774-0880  
Cell: 301-408-8553, FAX: 301-260-0239  
E-mail: raj@simsona.com

DRAWING TITLE:  
**DETAIL-008**

|                                |          |           |           |           |       |
|--------------------------------|----------|-----------|-----------|-----------|-------|
| DRAWN:                         | CHECKED: | APPROVED: | PAGE NO.  | PR. CODE: |       |
| DINESH                         | RAJ.G    | RAJ.G     | 012       | 22308     |       |
| DATE:                          | DATE:    | DATE:     | SHEET NO. | SCALE:    | SIZE: |
| 10 Dec,19                      | -        | -         | 12 OF 14  | AS SHOWN  | A3    |
| DRAWING NUMBER:                |          |           |           |           | REV:  |
| UNC/SCH-SIMSONA-AL-DWG-DT-0408 |          |           |           |           | 00    |
| STATUS: SAMPLE DRAWING         |          |           |           |           |       |



DT-009  
0303 & 0304  
DETAIL:  
SCALE: 1:1

- \*GENERAL NOTES:
1. ALL DIMENSION AND LEVELS ARE IN FEET INCH.
  2. ALL DIMENSIONS ARE TO BE READ NOT MEASURED.
  3. ALL ELEVATIONS VIEWED AS PER SHOWN.

| REFERENCE DRAWINGS: |          |       |
|---------------------|----------|-------|
|                     |          |       |
|                     |          |       |
|                     |          |       |
|                     |          |       |
|                     |          |       |
|                     |          |       |
|                     |          |       |
|                     |          |       |
|                     |          |       |
|                     |          |       |
| DESIGN DRAWING NO.  | REV. NO. | DATE: |

FACADE CONSULTANT:  
**JOSEPH B. CALLAGHAN, INC.**  
1617 John F. Kennedy Blvd  
Suite 1655  
Philadelphia, PA 19103  
T: 215.665.0497

ARCHITECT DESIGN CONSULTANT:  
**KSS ARCHITECTS**  
Princeton | Philadelphia  
337 Witherspoon Street  
Princeton, NJ 08542  
T: 609.921.1131

PROJECT:  
**UNCOMMON SCHOOL**  
ADDITION AND RENOVATION  
NORTH STAR ACADEMY-571 18TH AVENUE  
571 18TH AVENUE, NEWARK, NJ 07103  
LOT 1, BLOCKS 358-359

CLIENT:

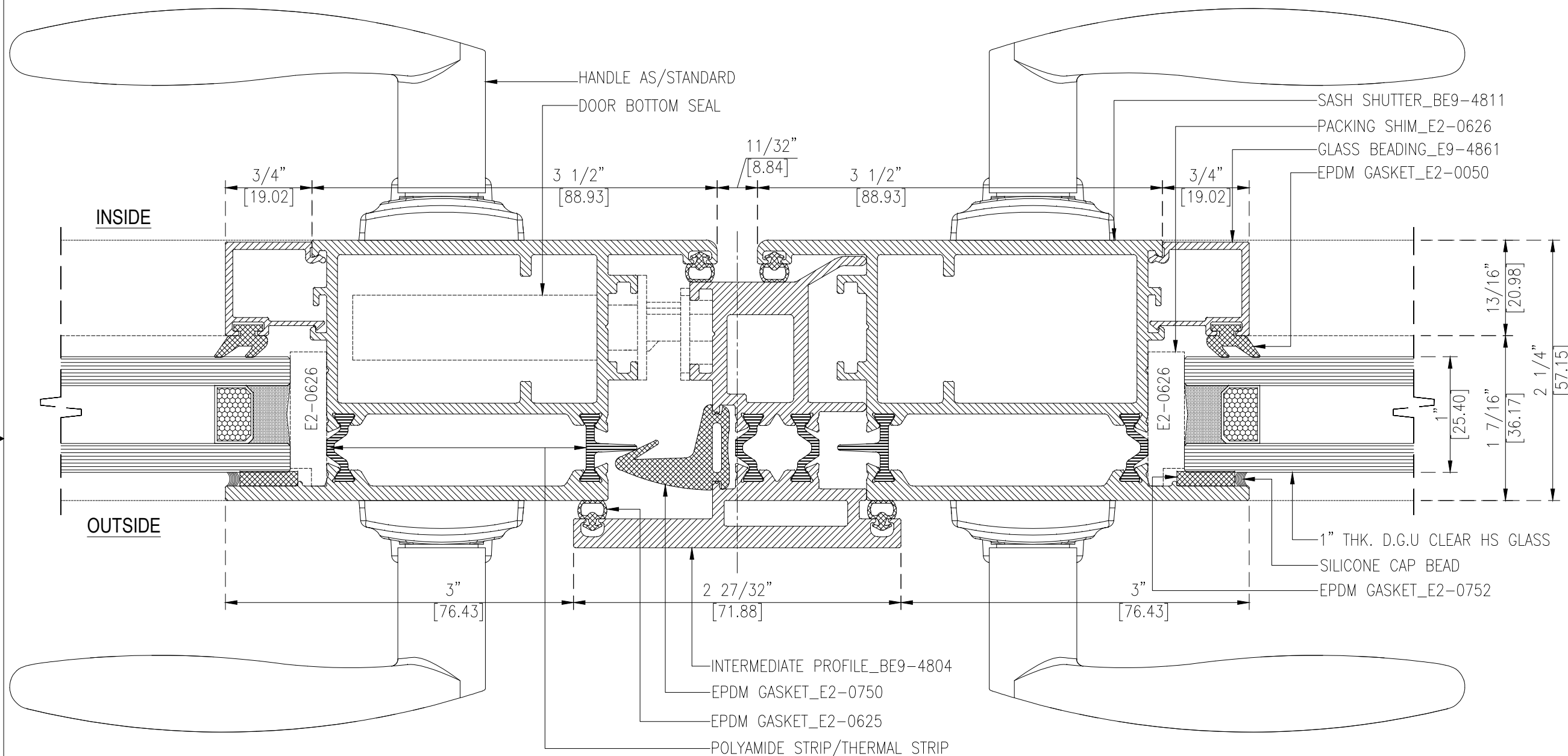
| ISSUE |              |       |        |
|-------|--------------|-------|--------|
|       |              |       |        |
|       |              |       |        |
|       |              |       |        |
|       |              |       |        |
|       |              |       |        |
|       |              |       |        |
|       |              |       |        |
|       |              |       |        |
|       |              |       |        |
|       |              |       |        |
| NO.   | DESCRIPTION: | DATE: | REV.BY |

DISCIPLINE:

FACADE CONTRACTOR:  
 **SIMSONA CORPORATION**  
2275 Research Boulevard  
Suite 500  
Rockville, MD 20850  
Office: 301-774-0880  
Call: 301-408-8553, FAX: 301-260-0239  
E-mail: raj@simsona.com

DRAWING TITLE:  
**DETAIL-009**

| DRAWN:   | CHECKED: | APPROVED: | PAGE NO.  | PR. CODE: |       |
|--|----------|-----------|-----------|-----------|-------|
| DINESH   | RAJ.G    | RAJ.G     | 013       | 22308     |       |
| DATE:  | DATE:    | DATE:     | SHEET NO. | SCALE:    | SIZE: |
| 10 Dec,19  |          |           | 13 OF 14  | AS SHOWN  | A3    |
| DRAWING NUMBER:<br><b>UNC/SCH-SIMSONA-AL-DWG-DT-0409</b> |          |           |           |           |       |
| STATUS: SAMPLE DRAWING                                   |          |           |           |           |       |
| REV:<br><b>00</b>  |          |           |           |           |       |



- \*GENERAL NOTES:**
1. ALL DIMENSION AND LEVELS ARE IN FEET INCH.
  2. ALL DIMENSIONS ARE TO BE READ NOT MEASURED.
  3. ALL ELEVATIONS VIEWED AS PER SHOWN.

**REFERENCE DRAWINGS:**

|  |   |   |
|--|---|---|
|  | - | - |
|  | - | - |
|  | - | - |
|  | - | - |
|  | - | - |

DESIGN DRAWING NO. \_\_\_\_\_ REV. NO. \_\_\_\_\_ DATE: \_\_\_\_\_

FACADE CONSULTANT:  
**JOSEPH B. CALLAGHAN, INC.**  
 1617 John F. Kennedy Blvd  
 Suite 1655  
 Philadelphia, PA 19103  
 T: 215.665.0497

ARCHITECT DESIGN CONSULTANT:  
**KSS ARCHITECTS**  
 Princeton | Philadelphia  
 337 Witherspoon Street  
 Princeton, NJ 08542  
 T: 609.921.1131

PROJECT:  
**UNCOMMON SCHOOL**  
 ADDITION AND RENOVATION  
 NORTH STAR ACADEMY-571 18TH AVENUE  
 571 18TH AVENUE, NEWARK, NJ 07103  
 LOT 1, BLOCKS 358-359

CLIENT:  
 -  
 -

**ISSUE**

|  |   |   |   |
|--|---|---|---|
|  | - | - | - |
|  | - | - | - |
|  | - | - | - |
|  | - | - | - |
|  | - | - | - |
|  | - | - | - |
|  | - | - | - |
|  | - | - | - |
|  | - | - | - |
|  | - | - | - |

| NO. | DESCRIPTION: | DATE: | REV.BY |
|-----|--------------|-------|--------|
|     |              |       |        |
|     |              |       |        |

DISCIPLINE: \_\_\_\_\_

FACADE CONTRACTOR:  
 **SIMSONA CORPORATION**  
 2275 Research Boulevard  
 Suite 500  
 Rockville, MD 20850  
 Office: 301-774-0880  
 Cell: 301-408-8553, FAX: 301-260-0239  
 E-mail: raj@simsona.com

DRAWING TITLE:  
  
**DETAIL-010**

|           |          |           |           |           |       |
|-----------|----------|-----------|-----------|-----------|-------|
| DRAWN:    | CHECKED: | APPROVED: | PAGE NO.  | PR. CODE: |       |
| DINESH    | RAJ.G    | RAJ.G     | 014       | 22308     |       |
| DATE:     | DATE:    | DATE:     | SHEET NO. | SCALE:    | SIZE: |
| 10 Dec.19 | -        | -         | 14 OF 14  | AS SHOWN  | A3    |

|                                |      |
|--------------------------------|------|
| DRAWING NUMBER:                | REV: |
| UNC/SCH-SIMSONA-AL-DWG-DT-0410 | 00   |

STATUS: SAMPLE DRAWING

**DT-010**    **DETAIL:**  
 0304        SCALE: 1:1

