

- \*GENERAL NOTES:
1. ALL DIMENSION AND LEVELS ARE IN FEET INCH.
  2. ALL DIMENSIONS ARE TO BE READ NOT MEASURED.
  3. ALL ELEVATIONS VIEWED AS PER SHOWN.

REFERENCE DRAWINGS:

—	—	—
—	—	—
—	—	—
—	—	—
—	—	—
—	—	—

DESIGN DRAWING NO.      REV. NO.      DATE:

FACADE CONSULTANT:

**JOSEPH B. CALLAGHAN, INC.**  
 1617 John F. Kennedy Blvd  
 Suite 1655  
 Philadelphia, PA 19103  
 T: 215.665.0497

ARCHITECT DESIGN CONSULTANT:

**KSS ARCHITECTS**  
 Princeton | Philadelphia  
 337 Witherspoon Street  
 Princeton, NJ 08542  
 T: 609.921.1131

PROJECT:

**UNCOMMON SCHOOL**  
 ADDITION AND RENOVATION  
 NORTH STAR ACADEMY-571 18TH AVENUE  
 571 18TH AVENUE, NEWARK, NJ 07103  
 LOT 1, BLOCKS 358-359

CLIENT:

—

ISSUE

—	—	—	—
—	—	—	—
—	—	—	—
—	—	—	—
—	—	—	—
—	—	—	—
—	—	—	—
—	—	—	—
—	—	—	—
—	—	—	—

NO.      DESCRIPTION:      DATE:      REV. BY

DISCIPLINE:

FACADE CONTRACTOR:

**SIMSONA CORPORATION**  
 2275 Research Boulevard  
 Suite 500  
 Rockville, MD 20850  
 Office: 301-774-0880  
 Cell: 301-408-8553, FAX: 301-260-0239  
 E-mail: raj@simsona.com

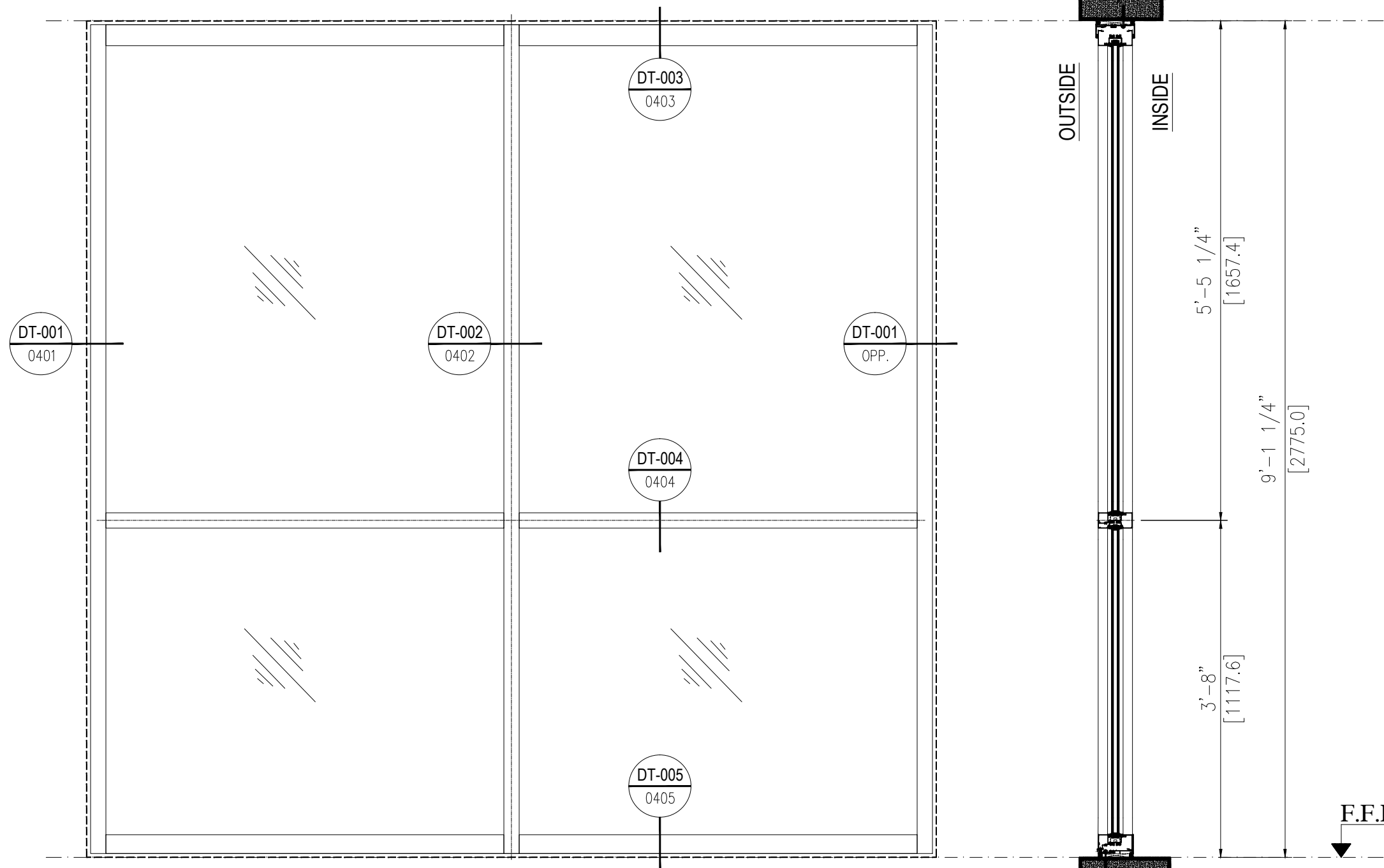
DRAWING TITLE:

**SHOP DRAWING OF  
 GLAZING FOR FIXED WINDOW (W1)**

DRAWN:	CHECKED:	APPROVED:	PAGE NO.	PR. CODE:	
DINESH	RAJ.G	RAJ.G	001	22308	
DATE:	DATE:	DATE:	SHEET NO.	SCALE:	SIZE:
10 Dec,19	—	—	1 OF 15	AS SHOWN	A3

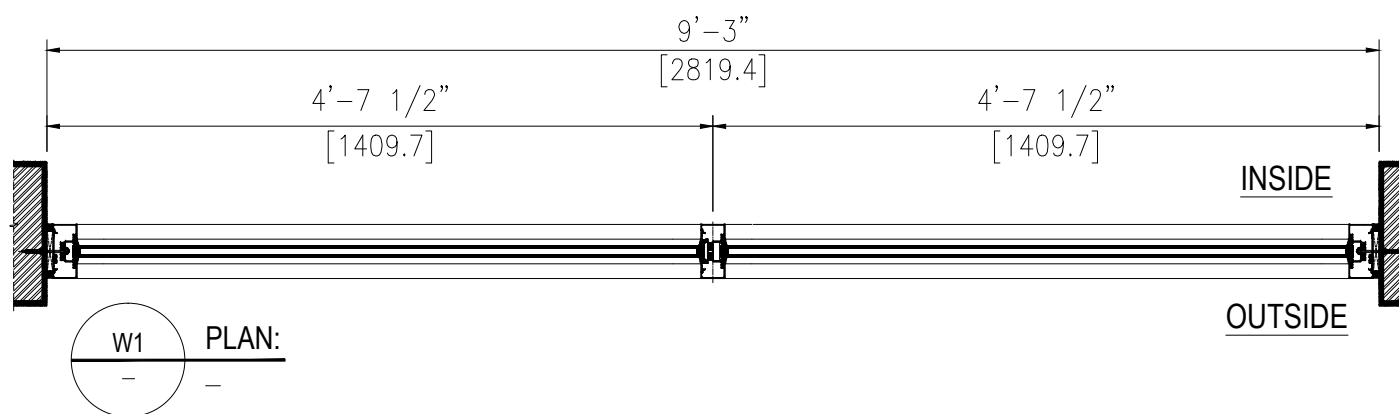
DRAWING NUMBER:      REV:  
**UNC/SCH-SIMSONA-AL-DWG-GL-0301**      **00**

STATUS: SAMPLE DRAWING

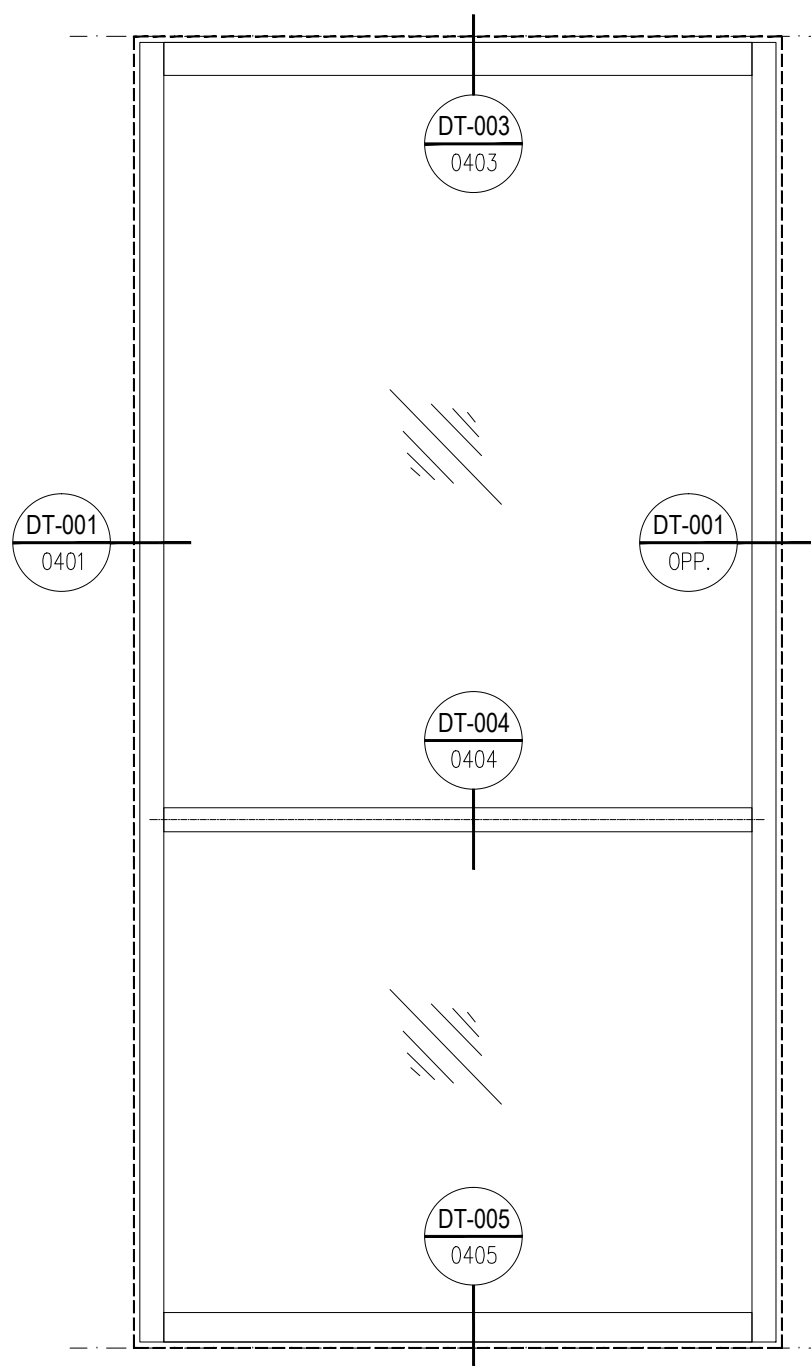


**W1 ELEVATION: (VIEW OUTSIDE)**  
 SCALE 1:16

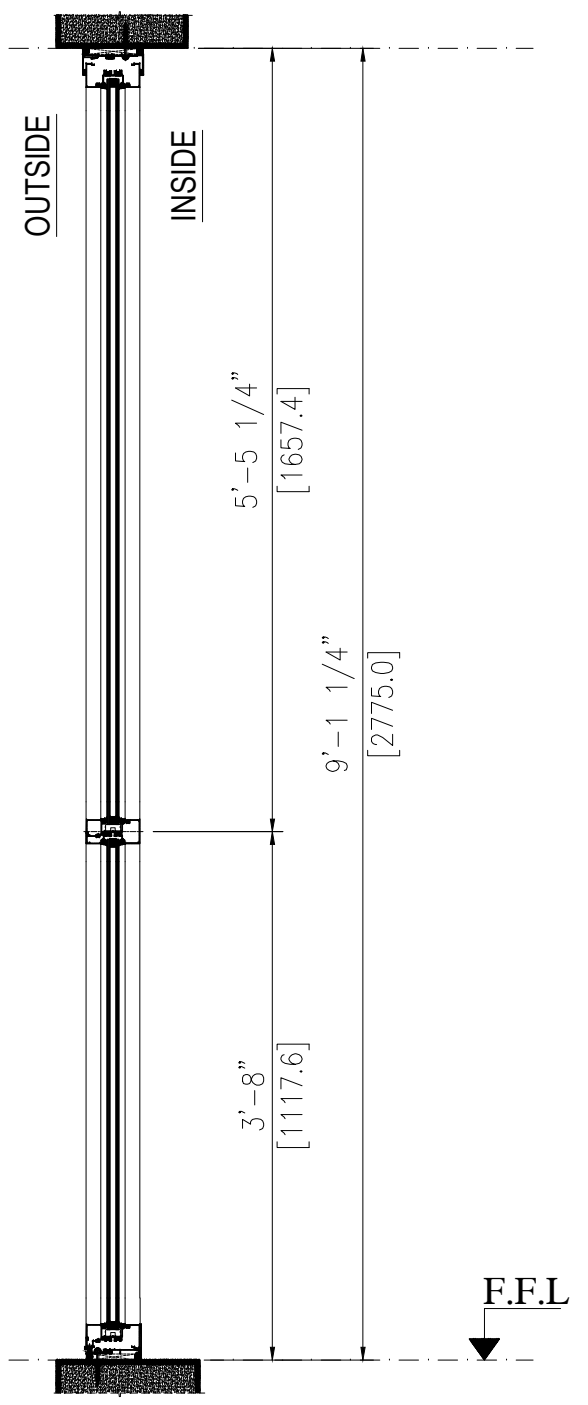
**W1 SECTION:**



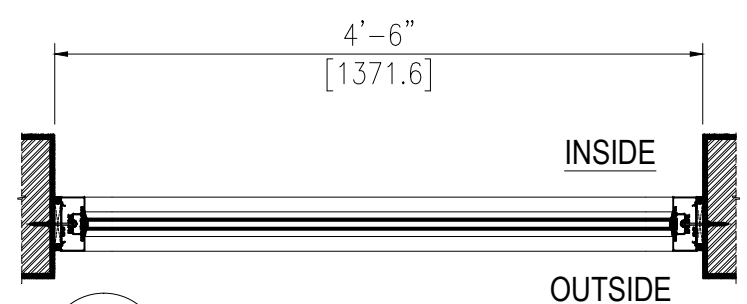
**W1 PLAN:**



W2 ELEVATION: (VIEW OUTSIDE)  
SCALE 1:16



W2 SECTION:



W2 PLAN:

\*GENERAL NOTES:  
1. ALL DIMENSION AND LEVELS ARE IN FEET INCH.  
2. ALL DIMENSIONS ARE TO BE READ NOT MEASURED.  
3. ALL ELEVATIONS VIEWED AS PER SHOWN.

REFERENCE DRAWINGS:

—	—	—
—	—	—
—	—	—
—	—	—
—	—	—
—	—	—
—	—	—
—	—	—
—	—	—
—	—	—

DESIGN DRAWING NO. REV. NO. DATE:

FACADE CONSULTANT:  
**JOSEPH B. CALLAGHAN, INC.**  
1617 John F. Kennedy Blvd  
Suite 1655  
Philadelphia, PA 19103  
T: 215.665.0497

ARCHITECT DESIGN CONSULTANT:  
**KSS ARCHITECTS**  
Princeton | Philadelphia  
337 Witherspoon Street  
Princeton, NJ 08542  
T: 609.921.1131

PROJECT:  
**UNCOMMON SCHOOL**  
ADDITION AND RENOVATION  
NORTH STAR ACADEMY-571 18TH AVENUE  
571 18TH AVENUE, NEWARK, NJ 07103  
LOT 1, BLOCKS 358-359

CLIENT:  
—  
—

ISSUE

—	—	—	—
—	—	—	—
—	—	—	—
—	—	—	—
—	—	—	—
—	—	—	—
—	—	—	—
—	—	—	—
—	—	—	—
—	—	—	—

NO.	DESCRIPTION:	DATE:	REV. BY

DISCIPLINE:

FACADE CONTRACTOR:  
**SIMSONA CORPORATION**  
2275 Research Boulevard  
Suite 500  
Rockville, MD 20850  
Office: 301-774-0880  
Cell: 301-408-8553, FAX: 301-260-0239  
E-mail: raj@simsona.com

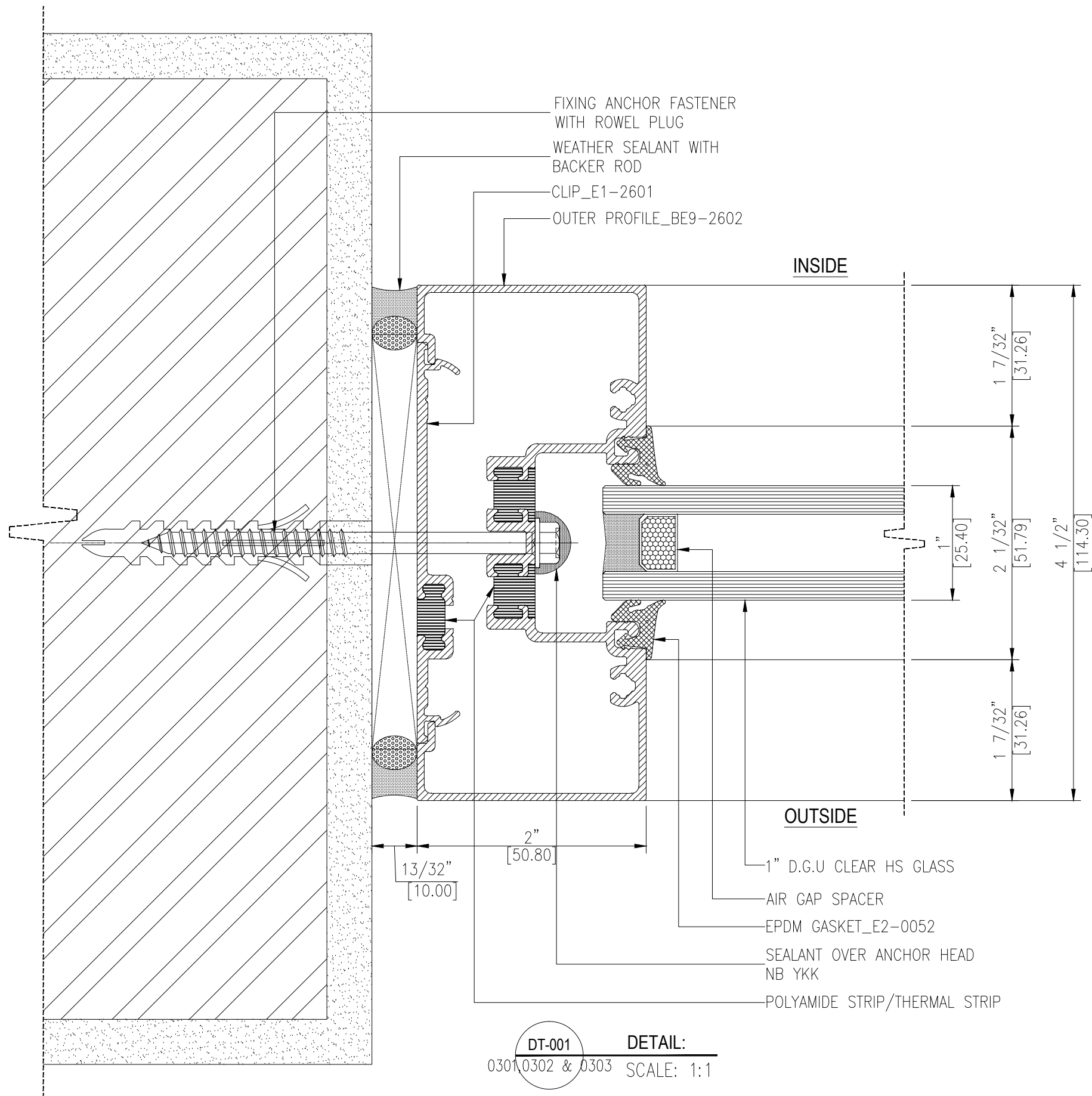
DRAWING TITLE:  
**SHOP DRAWING OF  
GLAZING FOR FIXED WINDOW (W2)**

DRAWN:	CHECKED:	APPROVED:	PAGE NO.	PR. CODE:	
DINESH	RAJ.G	RAJ.G	002	22308	
DATE:	DATE:	DATE:	SHEET NO.	SCALE:	SIZE:
10 Dec,19	—	—	2 OF 15	AS SHOWN	A3

DRAWING NUMBER:  
**UNC/SCH-SIMSONA-AL-DWG-GL-0302**

STATUS: SAMPLE DRAWING





DT-001  
 0301, 0302 & 0303  
 DETAIL:  
 SCALE: 1:1

\*GENERAL NOTES:  
 1. ALL DIMENSION AND LEVELS ARE IN FEET INCH.  
 2. ALL DIMENSIONS ARE TO BE READ NOT MEASURED.  
 3. ALL ELEVATIONS VIEWED AS PER SHOWN.

REFERENCE DRAWINGS:

---	---	---
---	---	---
---	---	---
---	---	---
---	---	---
---	---	---
---	---	---

DESIGN DRAWING NO. REV. NO. DATE:

FACADE CONSULTANT:  
**JOSEPH B. CALLAGHAN, INC.**  
 1617 John F. Kennedy Blvd  
 Suite 1655  
 Philadelphia, PA 19103  
 T: 215.665.0497

ARCHITECT DESIGN CONSULTANT:  
**KSS ARCHITECTS**  
 Princeton | Philadelphia  
 337 Witherspoon Street  
 Princeton, NJ 08542  
 T: 609.921.1131

PROJECT:  
**UNCOMMON SCHOOL**  
 ADDITION AND RENOVATION  
 NORTH STAR ACADEMY-571 18TH AVENUE  
 571 18TH AVENUE, NEWARK, NJ 07103  
 LOT 1, BLOCKS 358-359

CLIENT:  
 -  
 -

ISSUE

---	---	---
---	---	---
---	---	---
---	---	---
---	---	---
---	---	---
---	---	---
---	---	---

NO. DESCRIPTION: DATE: REV.BY

DISCIPLINE:

FACADE CONTRACTOR:  
 **SIMSONA CORPORATION**  
 2275 Research Boulevard  
 Suite 500  
 Rockville, MD 20850  
 Office: 301-774-0880  
 Cell: 301-408-8553, FAX: 301-260-0239  
 E-mail: raj@simsona.com

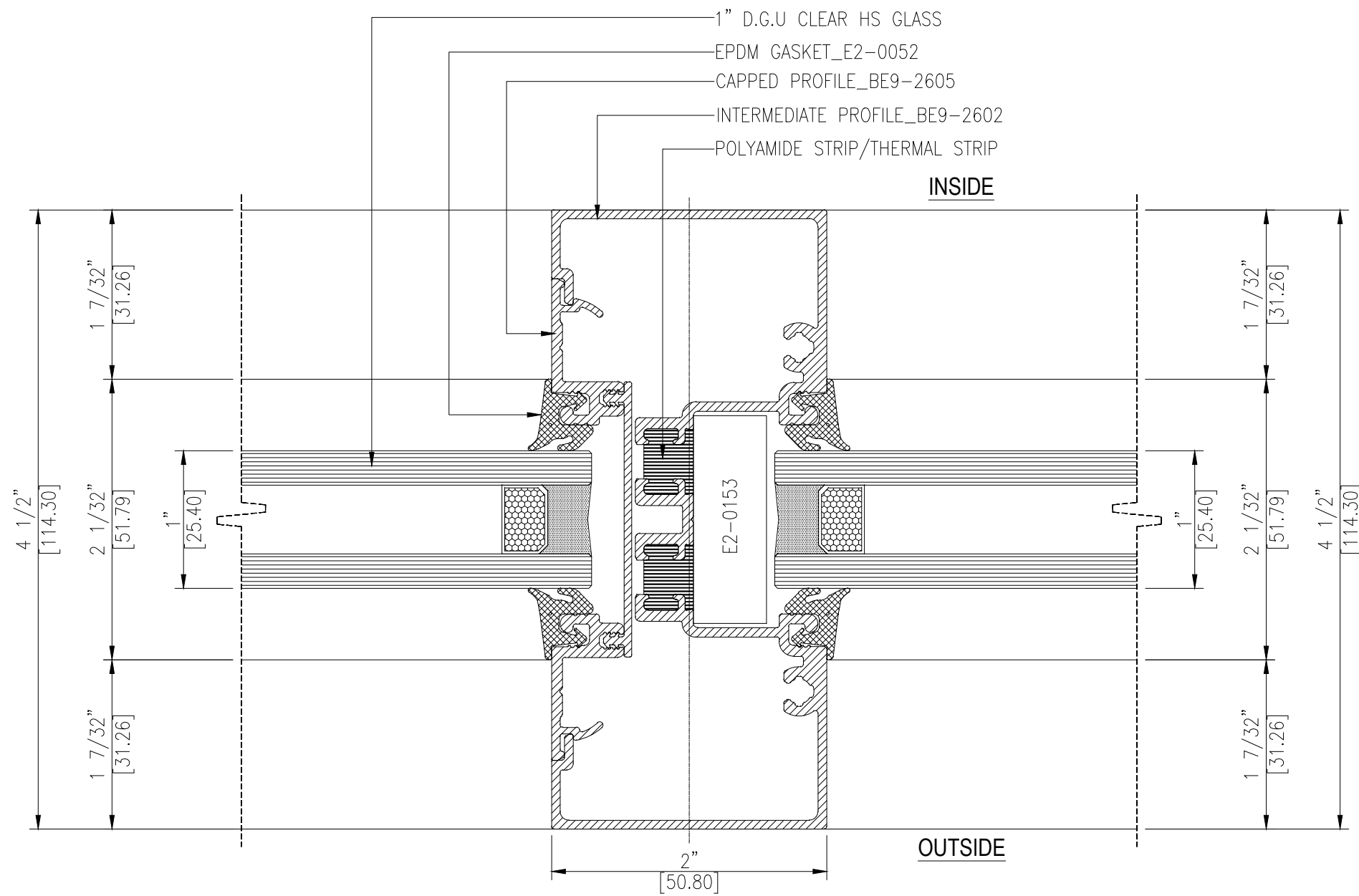
DRAWING TITLE:

DETAIL-001

DRAWN:	CHECKED:	APPROVED:	PAGE NO.	PR. CODE:	
DINESH	RAJ.G	RAJ.G	004	22308	
DATE:	DATE:	DATE:	SHEET NO.	SCALE:	SIZE:
10 Dec,19	-	-	4 OF 15	AS SHOWN	A3

DRAWING NUMBER: **UNC/SCH-SIMSONA-AL-DWG-DT-0401** REV: **00**

STATUS: SAMPLE DRAWING



- 1" D.G.U. CLEAR HS GLASS
- EPDM GASKET\_E2-0052
- CAPPED PROFILE\_BE9-2605
- INTERMEDIATE PROFILE\_BE9-2602
- POLYAMIDE STRIP/THERMAL STRIP

INSIDE

OUTSIDE

DT-002  
0301

DETAIL:  
SCALE: 1:1

\*GENERAL NOTES:  
1. ALL DIMENSION AND LEVELS ARE IN FEET INCH.  
2. ALL DIMENSIONS ARE TO BE READ NOT MEASURED.  
3. ALL ELEVATIONS VIEWED AS PER SHOWN.

REFERENCE DRAWINGS:

---	---	---
---	---	---
---	---	---
---	---	---
---	---	---
---	---	---

DESIGN DRAWING NO. REV. NO. DATE:

FACADE CONSULTANT:  
**JOSEPH B. CALLAGHAN, INC.**  
1617 John F. Kennedy Blvd  
Suite 1655  
Philadelphia, PA 19103  
T: 215.665.0497

ARCHITECT DESIGN CONSULTANT:  
**KSS ARCHITECTS**  
Princeton | Philadelphia  
337 Witherspoon Street  
Princeton, NJ 08542  
T: 609.921.1131

PROJECT:  
**UNCOMMON SCHOOL**  
ADDITION AND RENOVATION  
NORTH STAR ACADEMY-571 18TH AVENUE  
571 18TH AVENUE, NEWARK, NJ 07103  
LOT 1, BLOCKS 358-359

CLIENT:  
---

ISSUE

---	---	---	---
---	---	---	---
---	---	---	---
---	---	---	---
---	---	---	---
---	---	---	---
---	---	---	---
---	---	---	---
---	---	---	---
---	---	---	---

NO.	DESCRIPTION:	DATE:	REV. BY

DISCIPLINE:

FACADE CONTRACTOR:  
**SIMSONA CORPORATION**  
2275 Research Boulevard  
Suite 500  
Rockville, MD 20850  
Office: 301-774-0880  
Cell: 301-408-8553, FAX: 301-260-0239  
E-mail: raj@simsona.com

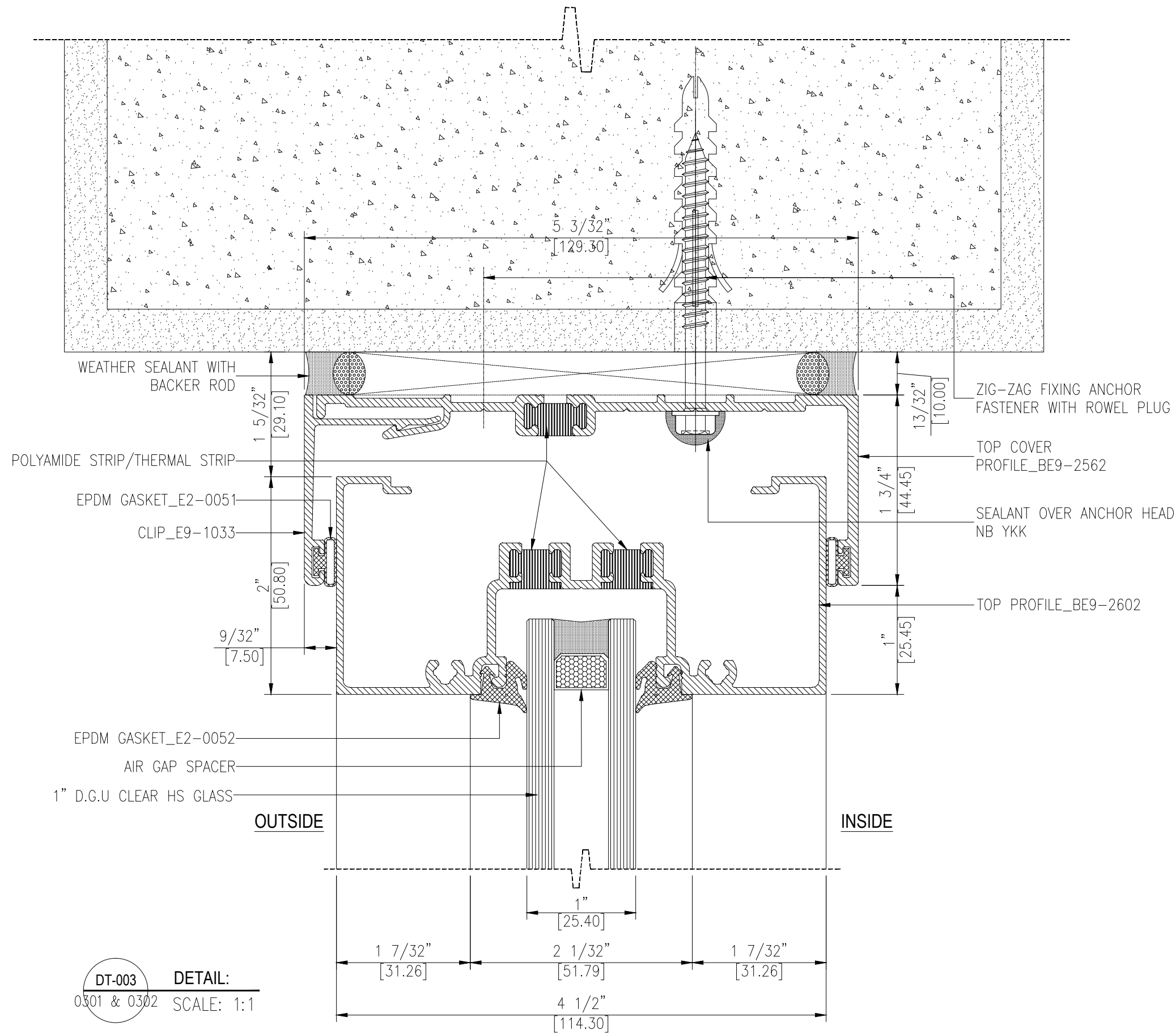
DRAWING TITLE:  
**DETAIL-002**

DRAWN:	CHECKED:	APPROVED:	PAGE NO.	PR. CODE:	
DINESH	RAJ.G	RAJ.G	005	22308	
DATE:	DATE:	DATE:	SHEET NO.	SCALE:	SIZE:
10 Dec,19	-	-	5 OF 15	AS SHOWN	A3

DRAWING NUMBER:  
**UNC/SCH-SIMSONA-AL-DWG-DT-0402**

REV:  
**00**

STATUS: SAMPLE DRAWING



DT-003  
0301 & 0302  
DETAIL:  
SCALE: 1:1

\*GENERAL NOTES:  
1. ALL DIMENSION AND LEVELS ARE IN FEET INCH.  
2. ALL DIMENSIONS ARE TO BE READ NOT MEASURED.  
3. ALL ELEVATIONS VIEWED AS PER SHOWN.

REFERENCE DRAWINGS:

—	—	—
—	—	—
—	—	—
—	—	—
—	—	—
—	—	—

DESIGN DRAWING NO. REV. NO. DATE:

FACADE CONSULTANT:  
**JOSEPH B. CALLAGHAN, INC.**  
1617 John F. Kennedy Blvd  
Suite 1655  
Philadelphia, PA 19103  
T: 215.665.0497

ARCHITECT DESIGN CONSULTANT:  
**KSS ARCHITECTS**  
Princeton | Philadelphia  
337 Witherspoon Street  
Princeton, NJ 08542  
T: 609.921.1131

PROJECT:  
**UNCOMMON SCHOOL**  
ADDITION AND RENOVATION  
NORTH STAR ACADEMY-571 18TH AVENUE  
571 18TH AVENUE, NEWARK, NJ 07103  
LOT 1, BLOCKS 358-359

CLIENT:  
—  
—

ISSUE

—	—	—	—
—	—	—	—
—	—	—	—
—	—	—	—
—	—	—	—
—	—	—	—
—	—	—	—
—	—	—	—
—	—	—	—
—	—	—	—

NO.	DESCRIPTION:	DATE:	REV.BY
-----	--------------	-------	--------

DISCIPLINE:

FACADE CONTRACTOR:  
**SIMSONA CORPORATION**  
2275 Research Boulevard  
Suite 500  
Rockville, MD 20850  
Office: 301-774-0880  
Cell: 301-408-8553, FAX: 301-260-0239  
E-mail: raj@simsona.com

DRAWING TITLE:  
**DETAIL-003**

DRAWN:	CHECKED:	APPROVED:	PAGE NO.	PR. CODE:	
DINESH	RAJ.G	RAJ.G	006	22308	
DATE:	DATE:	DATE:	SHEET NO.	SCALE:	SIZE:
10 Dec,19	—	—	6 OF 15	AS SHOWN	A3

DRAWING NUMBER:  
**UNC/SCH-SIMSONA-AL-DWG-DT-0403**

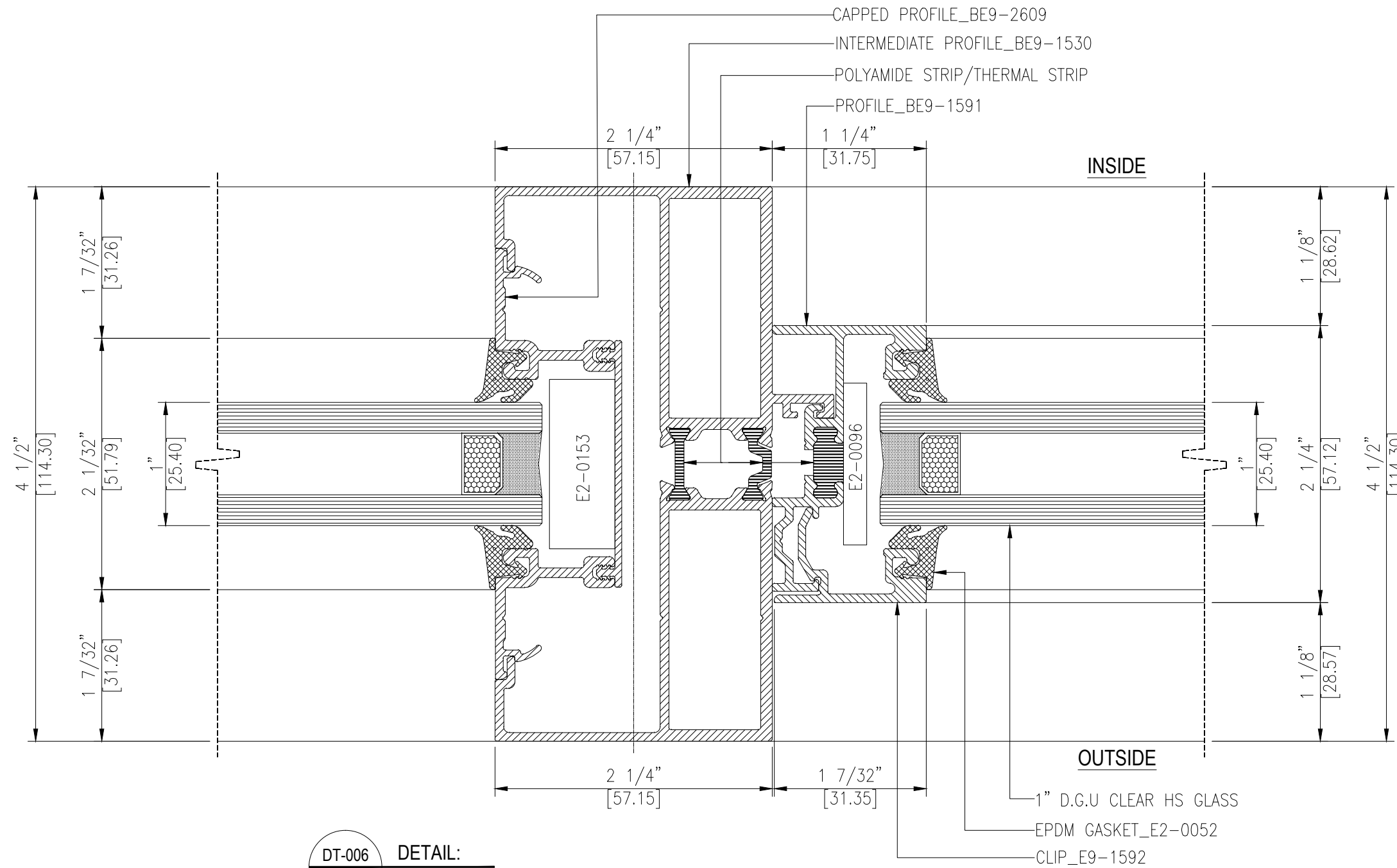
STATUS: SAMPLE DRAWING











DT-006  
0303

DETAIL:  
SCALE: 1:1

\*GENERAL NOTES:  
1. ALL DIMENSION AND LEVELS ARE IN FEET INCH.  
2. ALL DIMENSIONS ARE TO BE READ NOT MEASURED.  
3. ALL ELEVATIONS VIEWED AS PER SHOWN.

REFERENCE DRAWINGS:

—	—	—
—	—	—
—	—	—
—	—	—
—	—	—
—	—	—
—	—	—
—	—	—
—	—	—
—	—	—

DESIGN DRAWING NO.      REV. NO.      DATE:

FACADE CONSULTANT:  
**JOSEPH B. CALLAGHAN, INC.**  
1617 John F. Kennedy Blvd  
Suite 1655  
Philadelphia, PA 19103  
T: 215.665.0497

ARCHITECT DESIGN CONSULTANT:  
**KSS ARCHITECTS**  
Princeton | Philadelphia  
337 Witherspoon Street  
Princeton, NJ 08542  
T: 609.921.1131

PROJECT:  
**UNCOMMON SCHOOL**  
ADDITION AND RENOVATION  
NORTH STAR ACADEMY-571 18TH AVENUE  
571 18TH AVENUE, NEWARK, NJ 07103  
LOT 1, BLOCKS 358-359

CLIENT:  
—  
—

ISSUE

—	—	—
—	—	—
—	—	—
—	—	—
—	—	—
—	—	—
—	—	—
—	—	—
—	—	—
—	—	—

NO.	DESCRIPTION:	DATE:	REV. BY

DISCIPLINE:

FACADE CONTRACTOR:  
**SIMSONA CORPORATION**  
2275 Research Boulevard  
Suite 500  
Rockville, MD 20850  
Office: 301-774-0880  
Cell: 301-408-8553, FAX: 301-260-0239  
E-mail: raj@simsona.com

DRAWING TITLE:  
**DETAIL-006**

DRAWN:	CHECKED:	APPROVED:	PAGE NO.	PR. CODE:	
DINESH	RAJ.G	RAJ.G	009	22308	
DATE:	DATE:	DATE:	SHEET NO.	SCALE:	SIZE:
10 Dec,19	—	—	9 OF 15	AS SHOWN	A3

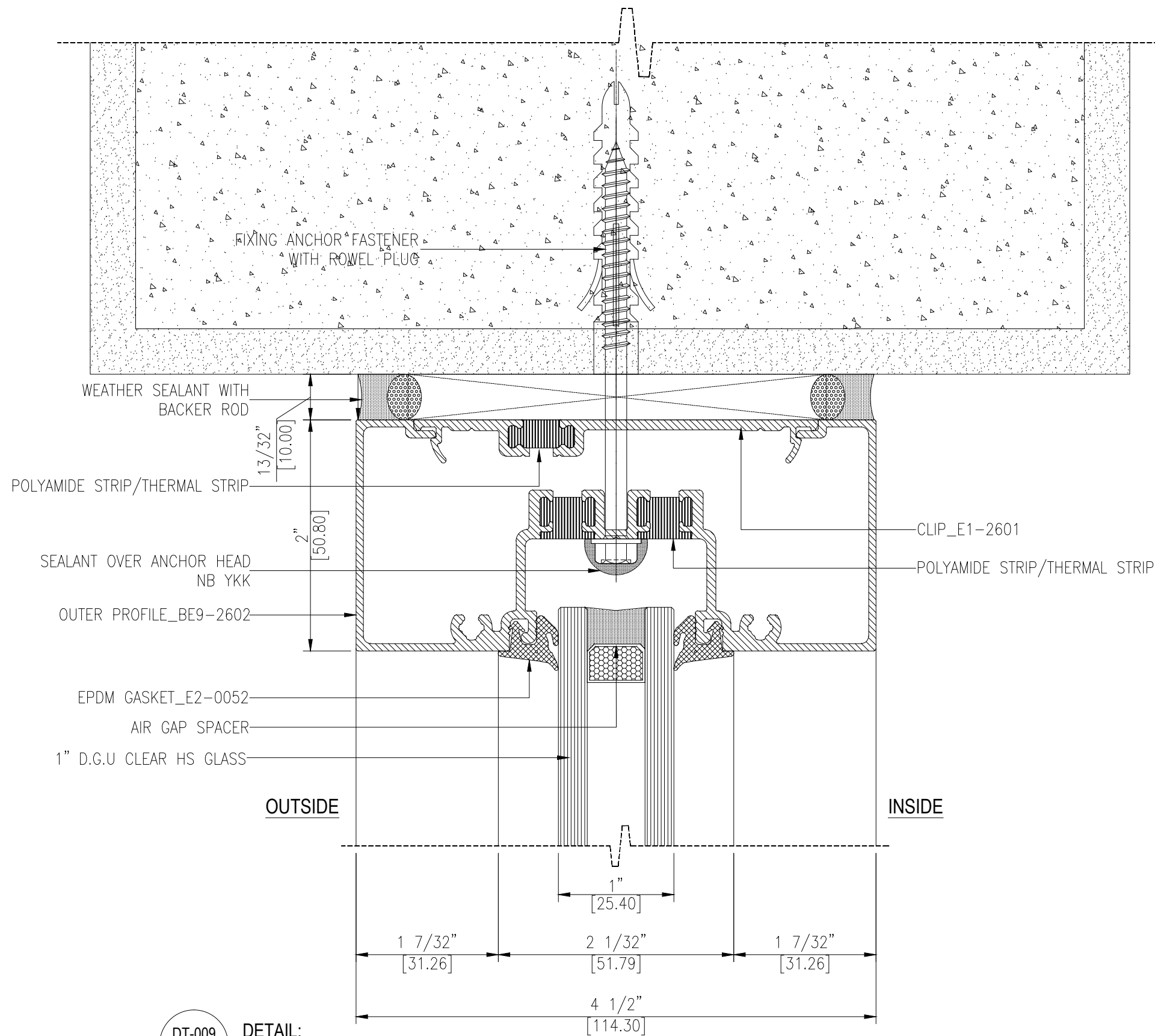
DRAWING NUMBER:  
**UNC/SCH-SIMSONA-AL-DWG-DT-0406**

REV: **00**

STATUS: SAMPLE DRAWING







DT-009  
0303

DETAIL:  
SCALE: 1:1

- \*GENERAL NOTES:
1. ALL DIMENSION AND LEVELS ARE IN FEET INCH.
  2. ALL DIMENSIONS ARE TO BE READ NOT MEASURED.
  3. ALL ELEVATIONS VIEWED AS PER SHOWN.

REFERENCE DRAWINGS:

—	—	—
—	—	—
—	—	—
—	—	—
—	—	—
—	—	—

DESIGN DRAWING NO.      REV. NO.      DATE:

FACADE CONSULTANT:  
**JOSEPH B. CALLAGHAN, INC.**  
 1617 John F. Kennedy Blvd  
 Suite 1655  
 Philadelphia, PA 19103  
 T: 215.665.0497

ARCHITECT DESIGN CONSULTANT:  
**KSS ARCHITECTS**  
 Princeton | Philadelphia  
 337 Witherspoon Street  
 Princeton, NJ 08542  
 T: 609.921.1131

PROJECT:  
**UNCOMMON SCHOOL**  
 ADDITION AND RENOVATION  
 NORTH STAR ACADEMY-571 18TH AVENUE  
 571 18TH AVENUE, NEWARK, NJ 07103  
 LOT 1, BLOCKS 358-359

CLIENT:

ISSUE

—	—	—
—	—	—
—	—	—
—	—	—
—	—	—
—	—	—
—	—	—
—	—	—

NO.	DESCRIPTION:	DATE:	REV.BY

DISCIPLINE:

FACADE CONTRACTOR:  
 **SIMSONA CORPORATION**  
 2275 Research Boulevard  
 Suite 500  
 Rockville, MD 20850  
 Office: 301-774-0880  
 Cell: 301-408-8553, FAX: 301-260-0239  
 E-mail: raj@simsona.com

DRAWING TITLE:

**DETAIL-009**

DRAWN:	CHECKED:	APPROVED:	PAGE NO.	PR. CODE:	
DINESH	RAJ.G	RAJ.G	012	22308	
DATE:	DATE:	DATE:	SHEET NO.	SCALE:	SIZE:
10 Dec,19	—	—	12 OF 15	AS SHOWN	A3

DRAWING NUMBER:  
**UNC/SCH-SIMSONA-AL-DWG-DT-0409**      REV: **00**

STATUS: SAMPLE DRAWING







