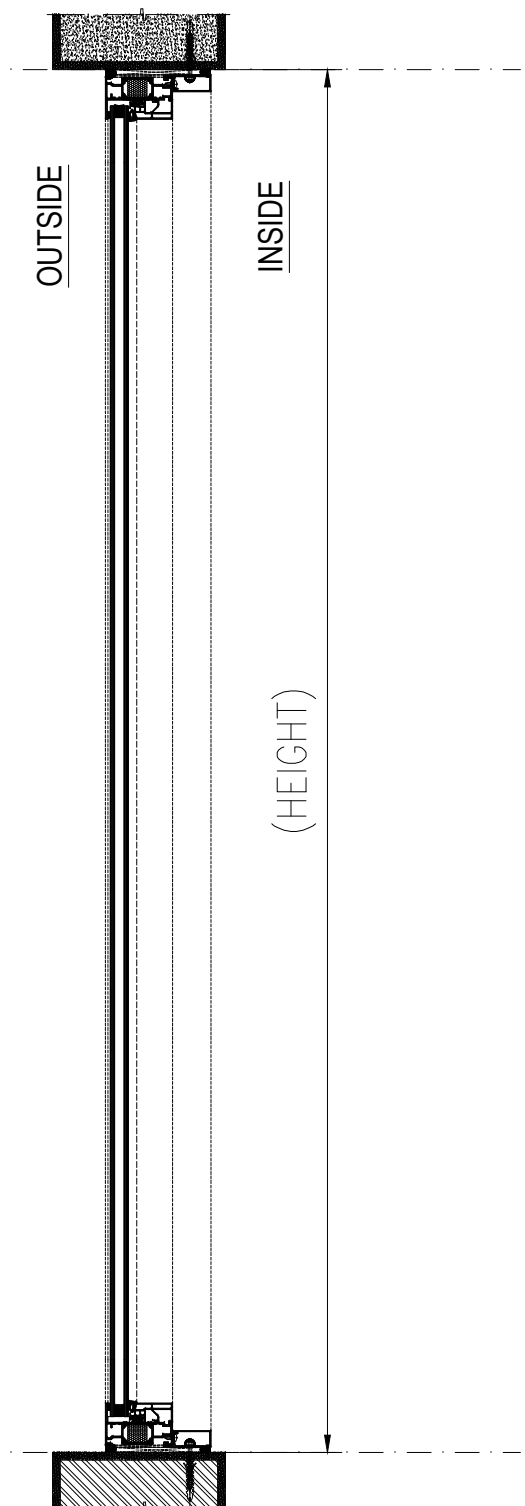
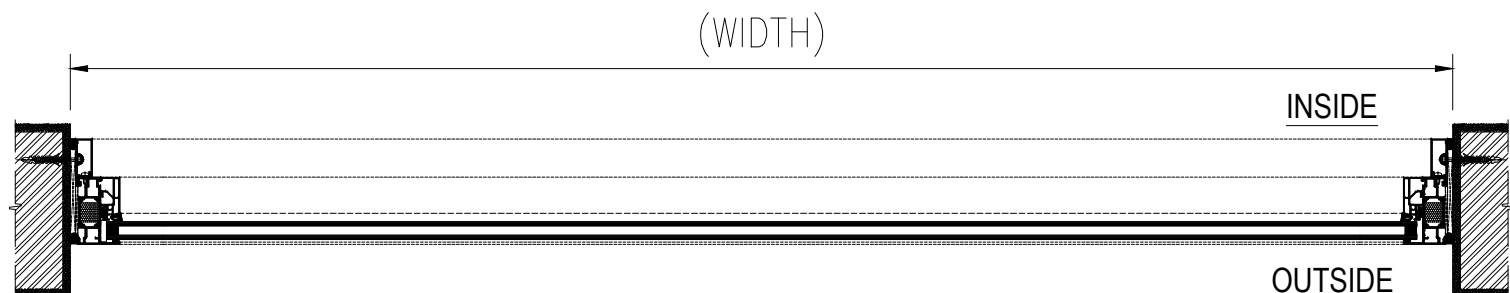


W1 ELEVATION: (VIEW OUTSIDE)  
SCALE: 1:10



W1 SECTION:



W1 PLAN:

\*GENERAL NOTES:  
1. ALL DIMENSION AND LEVELS ARE IN FEET INCH.  
2. ALL DIMENSIONS ARE TO BE READ NOT MEASURED.  
3. ALL ELEVATIONS VIEWED AS PER SHOWN.

REFERENCE DRAWINGS:

—	—	—
—	—	—
—	—	—
—	—	—
—	—	—
—	—	—

DESIGN DRAWING NO. REV. NO. DATE:

FACADE CONSULTANT:  
**JOSEPH B. CALLAGHAN, INC.**  
1617 John F. Kennedy Blvd  
Suite 1655  
Philadelphia, PA 19103  
T: 215.665.0497

ARCHITECT DESIGN CONSULTANT:  
**KSS ARCHITECTS**  
Princeton | Philadelphia  
337 Witherspoon Street  
Princeton, NJ 08542  
T: 609.921.1131

PROJECT:  
**UNCOMMON SCHOOL**  
ADDITION AND RENOVATION  
NORTH STAR ACADEMY-571 18TH AVENUE  
571 18TH AVENUE, NEWARK, NJ 07103  
LOT 1, BLOCKS 358-359

CLIENT:  
—  
—

ISSUE

—	—	—	—
—	—	—	—
—	—	—	—
—	—	—	—
—	—	—	—
—	—	—	—
—	—	—	—
—	—	—	—
—	—	—	—
—	—	—	—

NO. DESCRIPTION: DATE: REV.BY

DISCIPLINE:

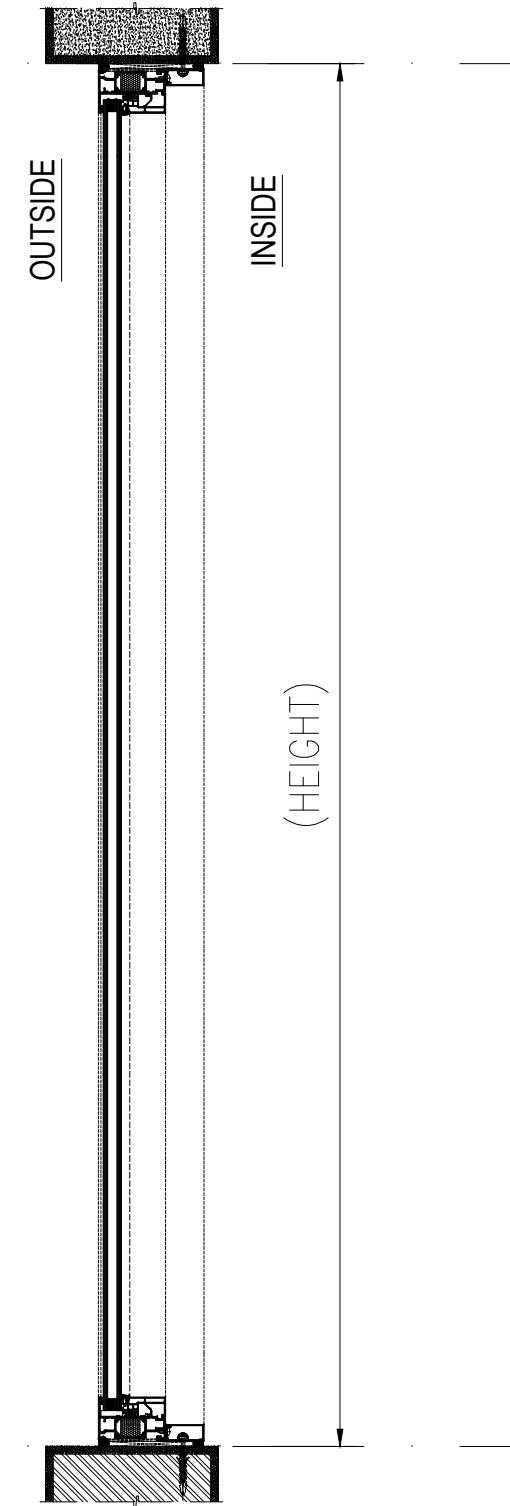
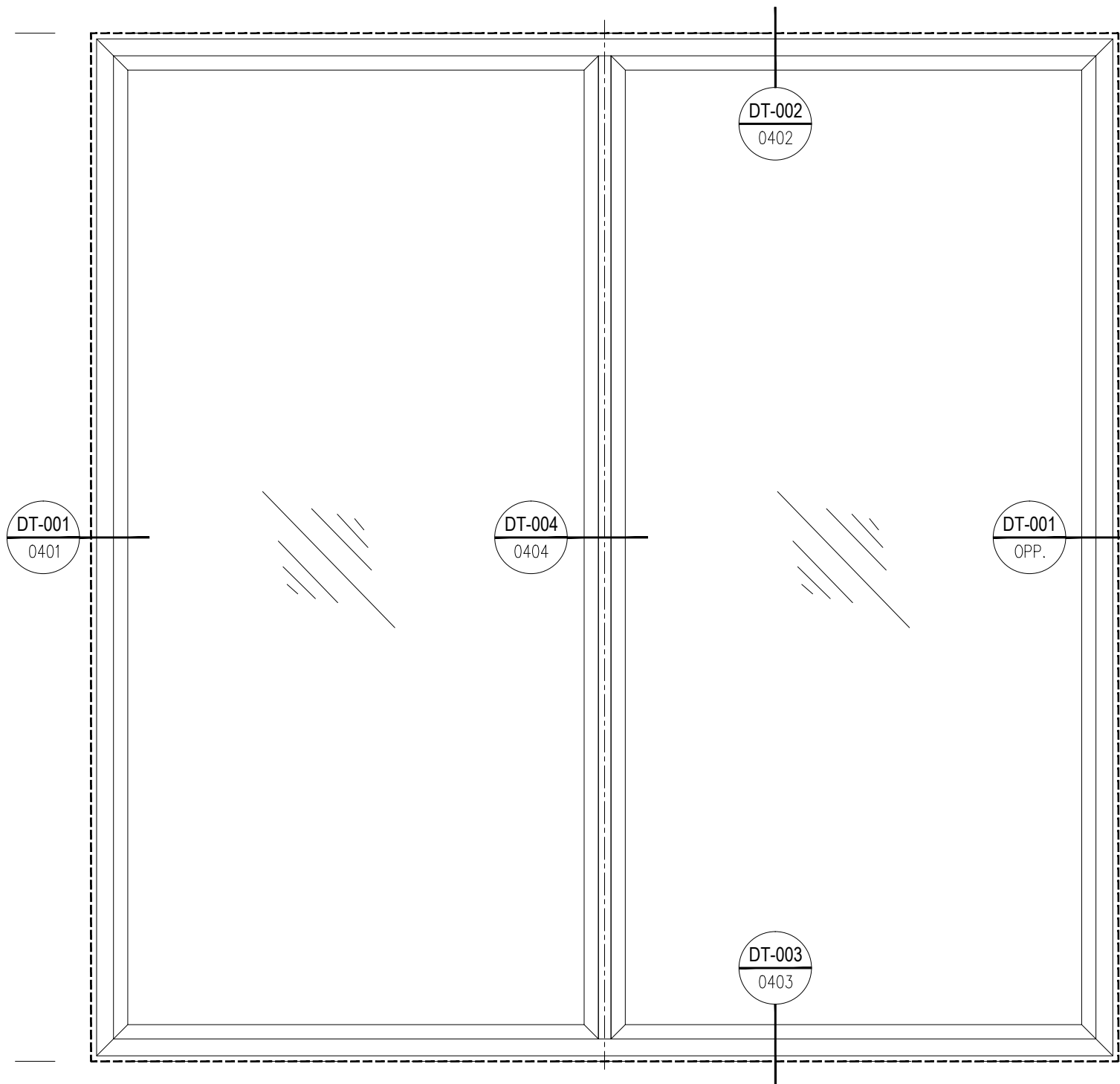
FACADE CONTRACTOR:  
**SIMSONA CORPORATION**  
2275 Research Boulevard  
Suite 500  
Rockville, MD 20850  
Office: 301-774-0880  
Cell: 301-408-8553, FAX: 301-260-0239  
E-mail: raj@simsona.com

DRAWING TITLE:  
**SHOP DRAWING OF  
FIXED WINDOW (W1)**

DRAWN:	CHECKED:	APPROVED:	PAGE NO.	PR. CODE:	
DINESH	RAJ.G	RAJ.G	001	22308	
DATE:	DATE:	DATE:	SHEET NO.	SCALE:	SIZE:
10 Dec,19	—	—	1 OF 8	AS SHOWN	A3

DRAWING NUMBER:  
**UNC/SCH-SIMSONA-AL-DWG-FW-0301**

STATUS: SAMPLE DRAWING



\*GENERAL NOTES:  
 1. ALL DIMENSION AND LEVELS ARE IN FEET INCH.  
 2. ALL DIMENSIONS ARE TO BE READ NOT MEASURED.  
 3. ALL ELEVATIONS VIEWED AS PER SHOWN.

REFERENCE DRAWINGS:

—	—	—
—	—	—
—	—	—
—	—	—
—	—	—
—	—	—
—	—	—

DESIGN DRAWING NO.      REV. NO.      DATE:

FACADE CONSULTANT:  
**JOSEPH B. CALLAGHAN, INC.**  
 1617 John F. Kennedy Blvd  
 Suite 1655  
 Philadelphia, PA 19103  
 T: 215.665.0497

ARCHITECT DESIGN CONSULTANT:  
**KSS ARCHITECTS**  
 Princeton | Philadelphia  
 337 Witherspoon Street  
 Princeton, NJ 08542  
 T: 609.921.1131

PROJECT:  
**UNCOMMON SCHOOL**  
 ADDITION AND RENOVATION  
 NORTH STAR ACADEMY-571 18TH AVENUE  
 571 18TH AVENUE, NEWARK, NJ 07103  
 LOT 1, BLOCKS 358-359

CLIENT:  
 —  
 —

ISSUE

—	—	—	—
—	—	—	—
—	—	—	—
—	—	—	—
—	—	—	—
—	—	—	—
—	—	—	—
—	—	—	—
—	—	—	—
—	—	—	—

NO.      DESCRIPTION:      DATE:      REV. BY

DISCIPLINE:

FACADE CONTRACTOR:  
 **SIMSONA CORPORATION**  
 2275 Research Boulevard  
 Suite 500  
 Rockville, MD 20850  
 Office: 301-774-0880  
 Cell: 301-408-8553, FAX: 301-260-0239  
 E-mail: raj@simsona.com

DRAWING TITLE:  
**SHOP DRAWING OF  
 FIXED WINDOW (W2)**

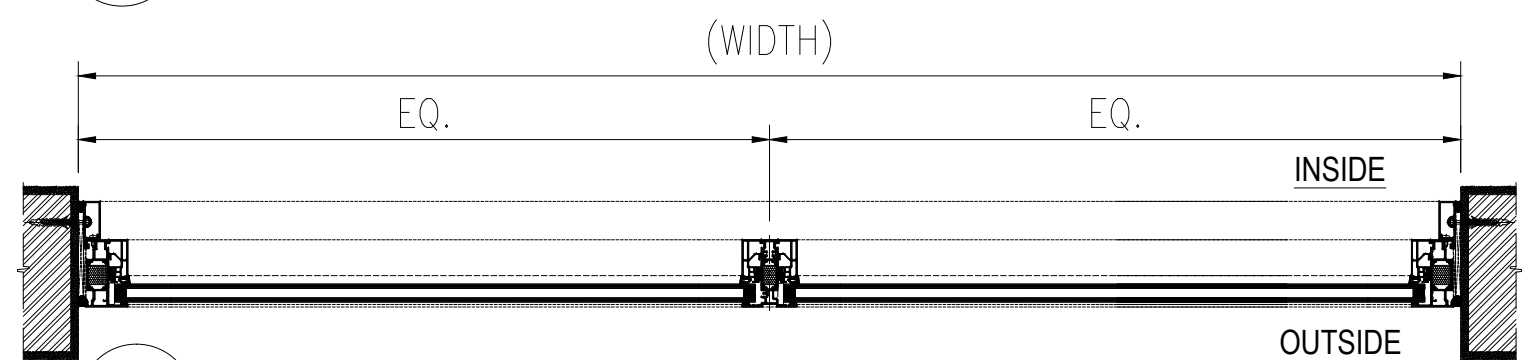
DRAWN:	CHECKED:	APPROVED:	PAGE NO.	PR. CODE:
DINESH	RAJ.G	RAJ.G	002	22308
DATE:	DATE:	DATE:	SHEET NO.	SCALE:
10 Dec,19	—	—	2 OF 8	AS SHOWN
				SIZE:
				A3

DRAWING NUMBER:  
**UNC/SCH-SIMSONA-AL-DWG-FW-0302**      REV: 00

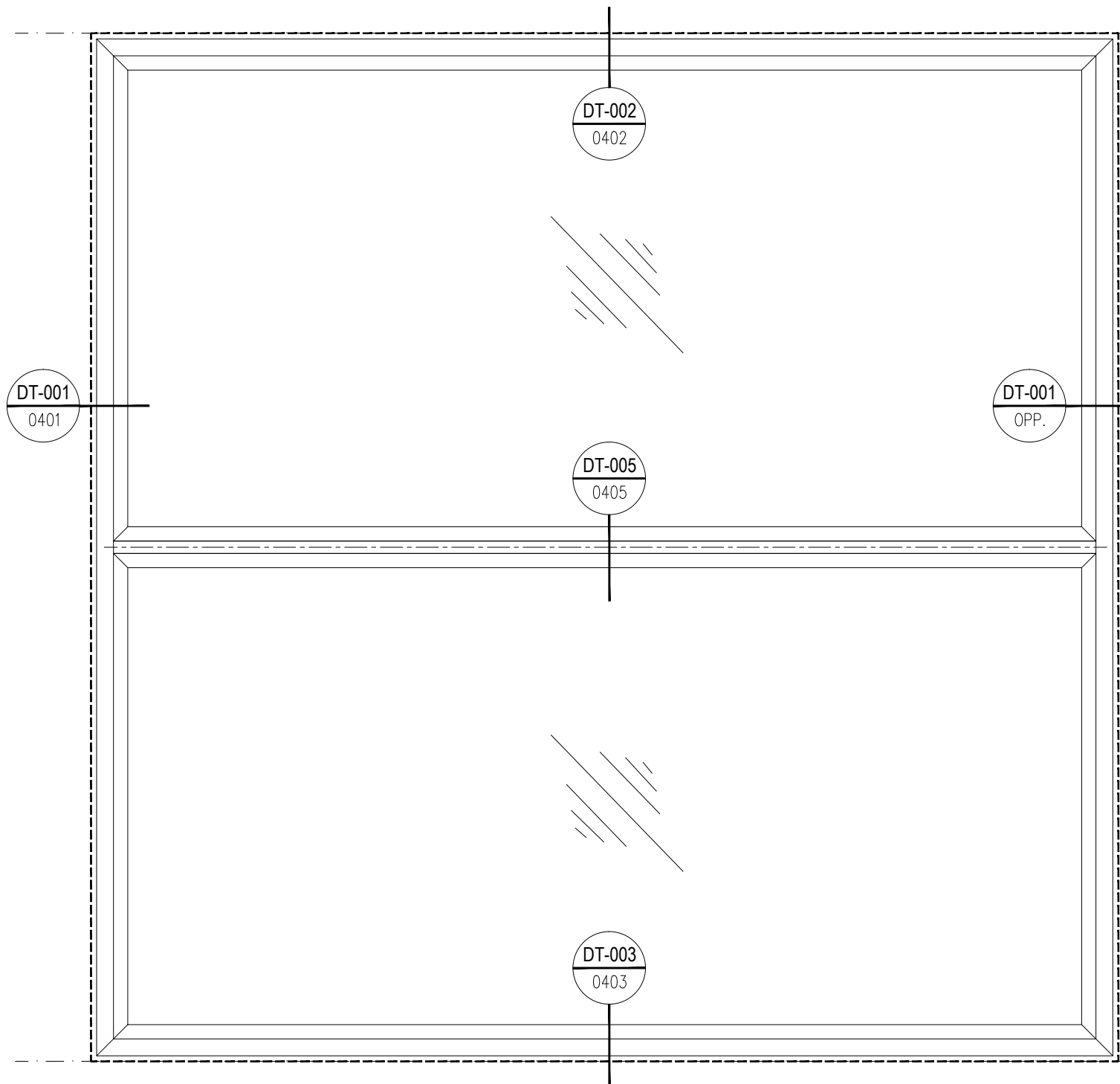
STATUS: SAMPLE DRAWING

**W2** ELEVATION: (VIEW OUTSIDE)  
 —  
 SCALE: 1:10

**W2** SECTION:  
 —

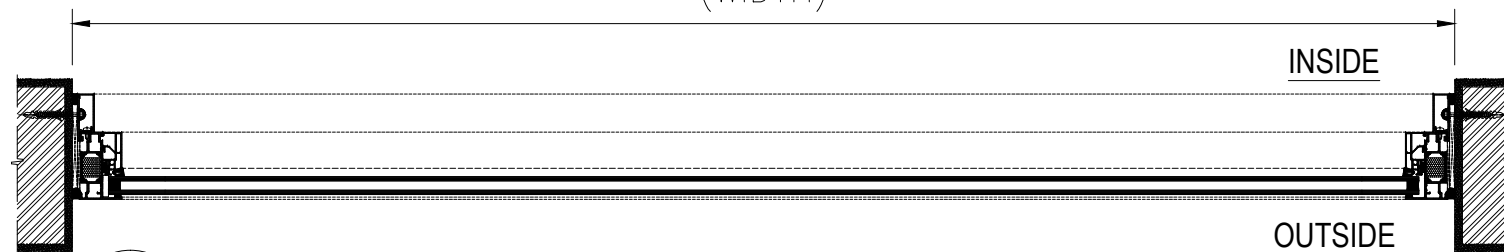


**W2** PLAN:  
 —

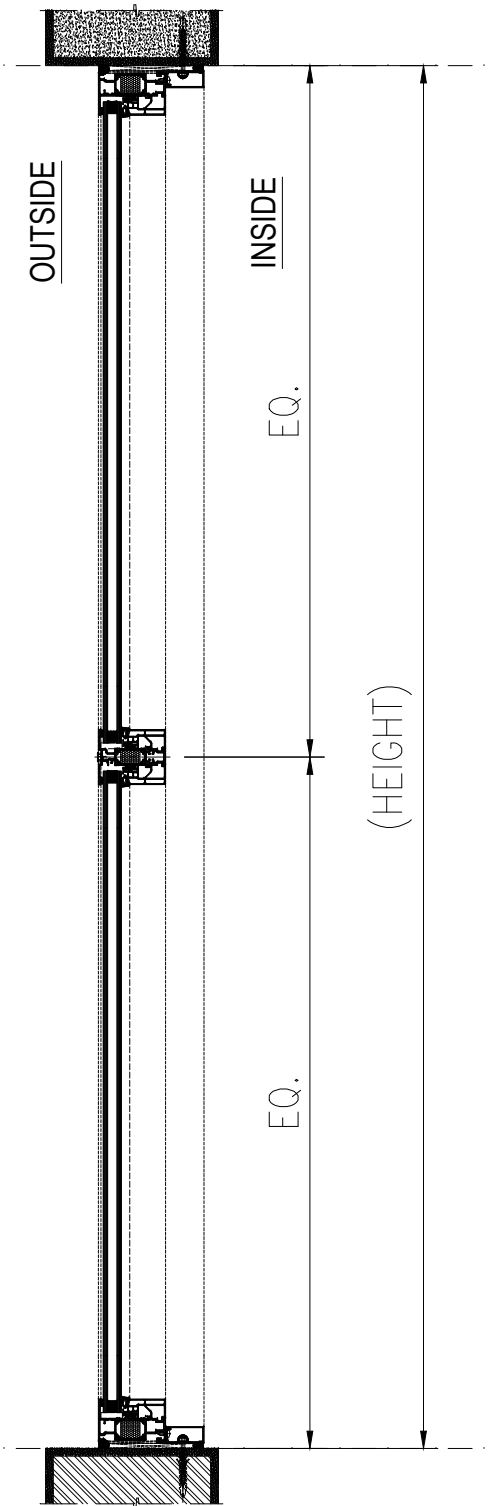


W3 ELEVATION: (VIEW OUTSIDE)  
SCALE: 1:10

(WIDTH)



W3 PLAN:



W3 SECTION:

- \*GENERAL NOTES:
1. ALL DIMENSION AND LEVELS ARE IN FEET INCH.
  2. ALL DIMENSIONS ARE TO BE READ NOT MEASURED.
  3. ALL ELEVATIONS VIEWED AS PER SHOWN.

REFERENCE DRAWINGS:

—	—	—
—	—	—
—	—	—
—	—	—
—	—	—
—	—	—

DESIGN DRAWING NO. REV. NO. DATE:

FACADE CONSULTANT:  
**JOSEPH B. CALLAGHAN, INC.**  
1617 John F. Kennedy Blvd  
Suite 1655  
Philadelphia, PA 19103  
T: 215.665.0497

ARCHITECT DESIGN CONSULTANT:  
**KSS ARCHITECTS**  
Princeton | Philadelphia  
337 Witherspoon Street  
Princeton, NJ 08542  
T: 609.921.1131

PROJECT:  
**UNCOMMON SCHOOL**  
ADDITION AND RENOVATION  
NORTH STAR ACADEMY-571 18TH AVENUE  
571 18TH AVENUE, NEWARK, NJ 07103  
LOT 1, BLOCKS 358-359

CLIENT:

ISSUE

—	—	—	—
—	—	—	—
—	—	—	—
—	—	—	—
—	—	—	—
—	—	—	—
—	—	—	—
—	—	—	—
—	—	—	—
—	—	—	—

NO. DESCRIPTION: DATE: REV.BY

DISCIPLINE:

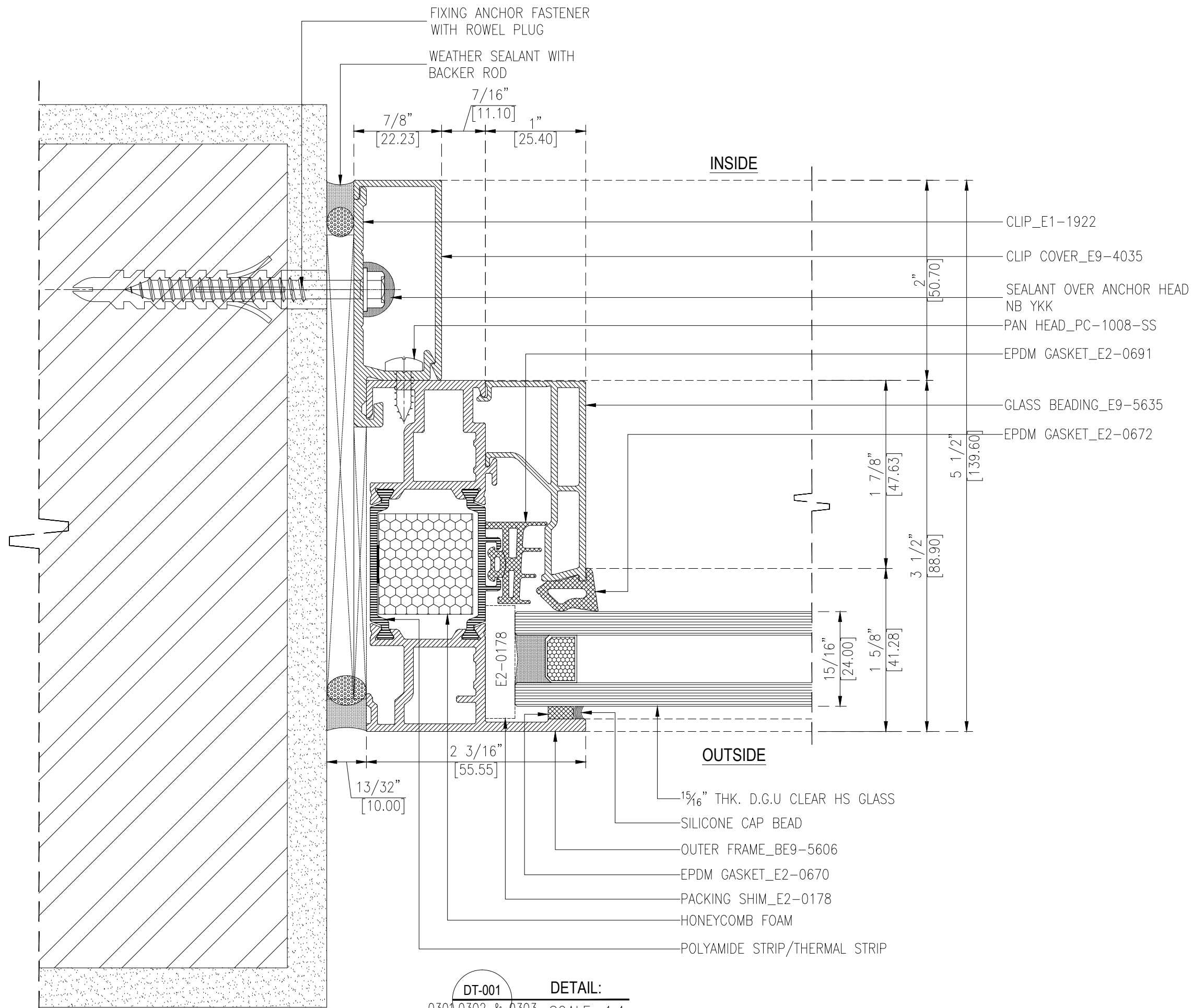
FACADE CONTRACTOR:  
**SIMSONA CORPORATION**  
2275 Research Boulevard  
Suite 500  
Rockville, MD 20850  
Office: 301-774-0880  
Cell: 301-408-8553, FAX: 301-260-0239  
E-mail: raj@simsona.com

DRAWING TITLE:  
**SHOP DRAWING OF  
GLAZING FOR FIXED WINDOW (W3)**

DRAWN: DINESH	CHECKED: RAJ.G	APPROVED: RAJ.G	PAGE NO. 003	PR. CODE: 22308
DATE: 10 Dec,19	DATE: —	DATE: —	SHEET NO. 3 OF 8	SCALE: AS SHOWN
				SIZE: A3

DRAWING NUMBER:  
**UNC/SCH-SIMSONA-AL-DWG-FW-0303**

STATUS: SAMPLE DRAWING



DT-001  
0301, 0302 & 0303  
DETAIL:  
SCALE: 1:1

\*GENERAL NOTES:  
1. ALL DIMENSION AND LEVELS ARE IN FEET INCH.  
2. ALL DIMENSIONS ARE TO BE READ NOT MEASURED.  
3. ALL ELEVATIONS VIEWED AS PER SHOWN.

REFERENCE DRAWINGS:

—	—	—
—	—	—
—	—	—
—	—	—
—	—	—
—	—	—
DESIGN DRAWING NO.	REV. NO.	DATE:

FACADE CONSULTANT:  
**JOSEPH B. CALLAGHAN, INC.**  
1617 John F. Kennedy Blvd  
Suite 1655  
Philadelphia, PA 19103  
T: 215.665.0497

ARCHITECT DESIGN CONSULTANT:  
**KSS ARCHITECTS**  
Princeton | Philadelphia  
337 Witherspoon Street  
Princeton, NJ 08542  
T: 609.921.1131

PROJECT:  
**UNCOMMON SCHOOL**  
ADDITION AND RENOVATION  
NORTH STAR ACADEMY-571 18TH AVENUE  
571 18TH AVENUE, NEWARK, NJ 07103  
LOT 1, BLOCKS 358-359

CLIENT:  
—

ISSUE

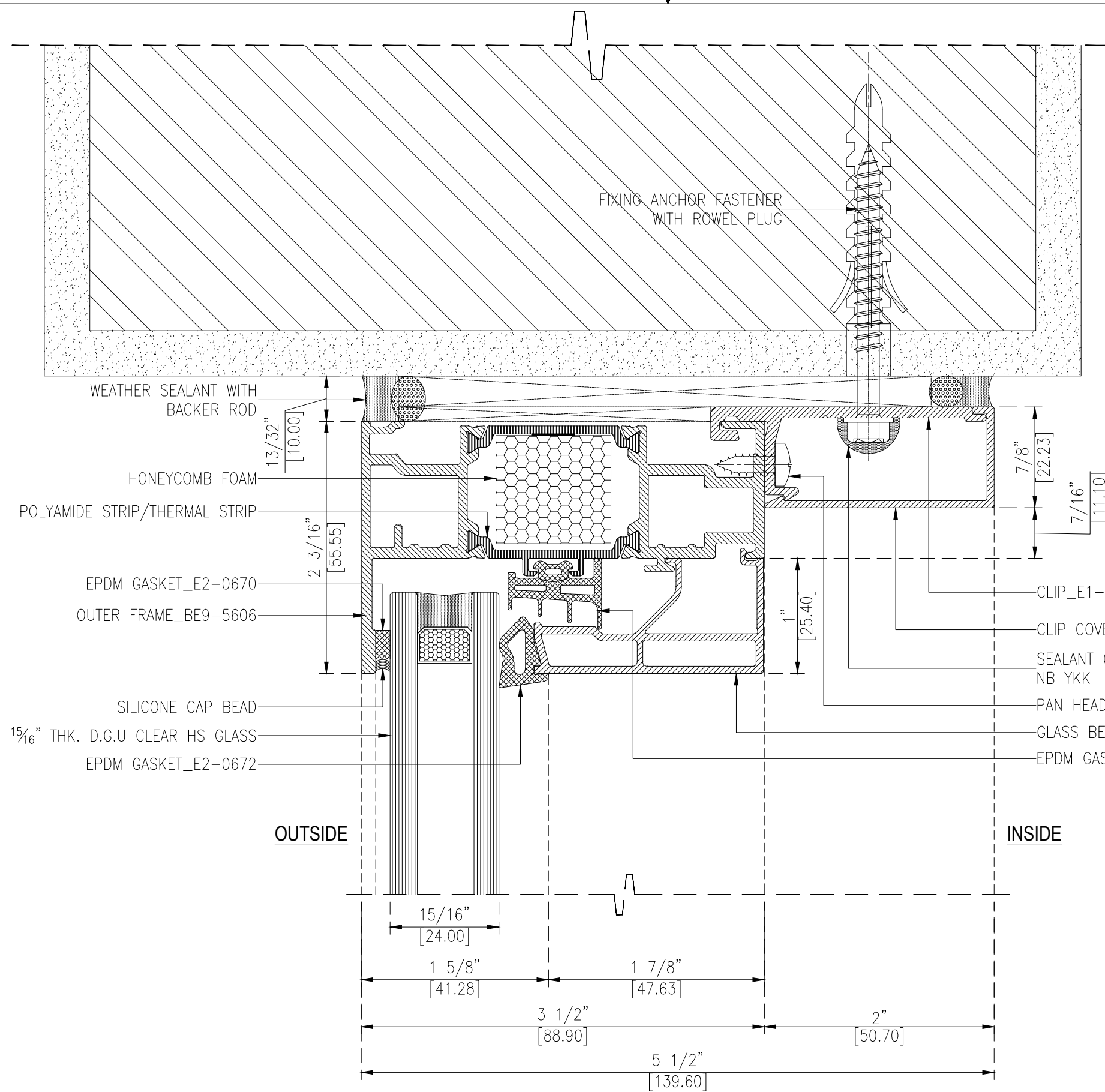
—	—	—	
—	—	—	
—	—	—	
—	—	—	
—	—	—	
—	—	—	
—	—	—	
—	—	—	
—	—	—	
—	—	—	
NO.	DESCRIPTION:	DATE:	REV. BY

DISCIPLINE:

FACADE CONTRACTOR:  
**SIMSONA CORPORATION**  
2275 Research Boulevard  
Suite 500  
Rockville, MD 20850  
Office: 301-774-0880  
Cell: 301-408-8553, FAX: 301-260-0239  
E-mail: raj@simsona.com

DRAWING TITLE:  
**DETAIL-001**

DRAWN:	CHECKED:	APPROVED:	PAGE NO.	PR. CODE:	
DINESH	RAJ.G	RAJ.G	004	22308	
DATE:	DATE:	DATE:	SHEET NO.	SCALE:	SIZE:
10 Dec, 19	—	—	4 OF 8	AS SHOWN	A3
DRAWING NUMBER: UNC/SCH-SIMSONA-AL-DWG-DT-0401					REV: 00
STATUS: SAMPLE DRAWING					



WEATHER SEALANT WITH BACKER ROD  
 13/32" [10.00]  
 HONEYCOMB FOAM  
 POLYAMIDE STRIP/THERMAL STRIP  
 2 3/16" [55.55]  
 EPDM GASKET\_E2-0670  
 OUTER FRAME\_BE9-5606  
 SILICONE CAP BEAD  
 15/16" THK. D.G.U CLEAR HS GLASS  
 EPDM GASKET\_E2-0672

7/8" [22.23]  
 7/16" [11.10]  
 1" [25.40]  
 CLIP\_E1-1922  
 CLIP COVER\_E9-4035  
 SEALANT OVER ANCHOR HEAD NB YKK  
 PAN HEAD\_PC-1008-SS  
 GLASS BEADING\_E9-5635  
 EPDM GASKET\_E2-0691

15/16" [24.00]  
 1 5/8" [41.28]  
 1 7/8" [47.63]  
 3 1/2" [88.90]  
 2" [50.70]  
 5 1/2" [139.60]

OUTSIDE

INSIDE

DT-002 DETAIL:  
 0301, 0302 & 0303 SCALE: 1:1

\*GENERAL NOTES:  
 1. ALL DIMENSION AND LEVELS ARE IN FEET INCH.  
 2. ALL DIMENSIONS ARE TO BE READ NOT MEASURED.  
 3. ALL ELEVATIONS VIEWED AS PER SHOWN.

REFERENCE DRAWINGS:


DESIGN DRAWING NO.    REV. NO.    DATE:

FACADE CONSULTANT:  
**JOSEPH B. CALLAGHAN, INC.**  
 1617 John F. Kennedy Blvd  
 Suite 1655  
 Philadelphia, PA 19103  
 T: 215.665.0497

ARCHITECT DESIGN CONSULTANT:  
**KSS ARCHITECTS**  
 Princeton | Philadelphia  
 337 Witherspoon Street  
 Princeton, NJ 08542  
 T: 609.921.1131

PROJECT:  
**UNCOMMON SCHOOL**  
 ADDITION AND RENOVATION  
 NORTH STAR ACADEMY-571 18TH AVENUE  
 571 18TH AVENUE, NEWARK, NJ 07103  
 LOT 1, BLOCKS 358-359

CLIENT:  
 -

ISSUE


NO.	DESCRIPTION:	DATE:	REV.BY

DISCIPLINE:

FACADE CONTRACTOR:  
 **SIMSONA CORPORATION**  
 2275 Research Boulevard  
 Suite 500  
 Rockville, MD 20850  
 Office: 301-774-0880  
 Cell: 301-408-8553, FAX: 301-260-0239  
 E-mail: raj@simsona.com

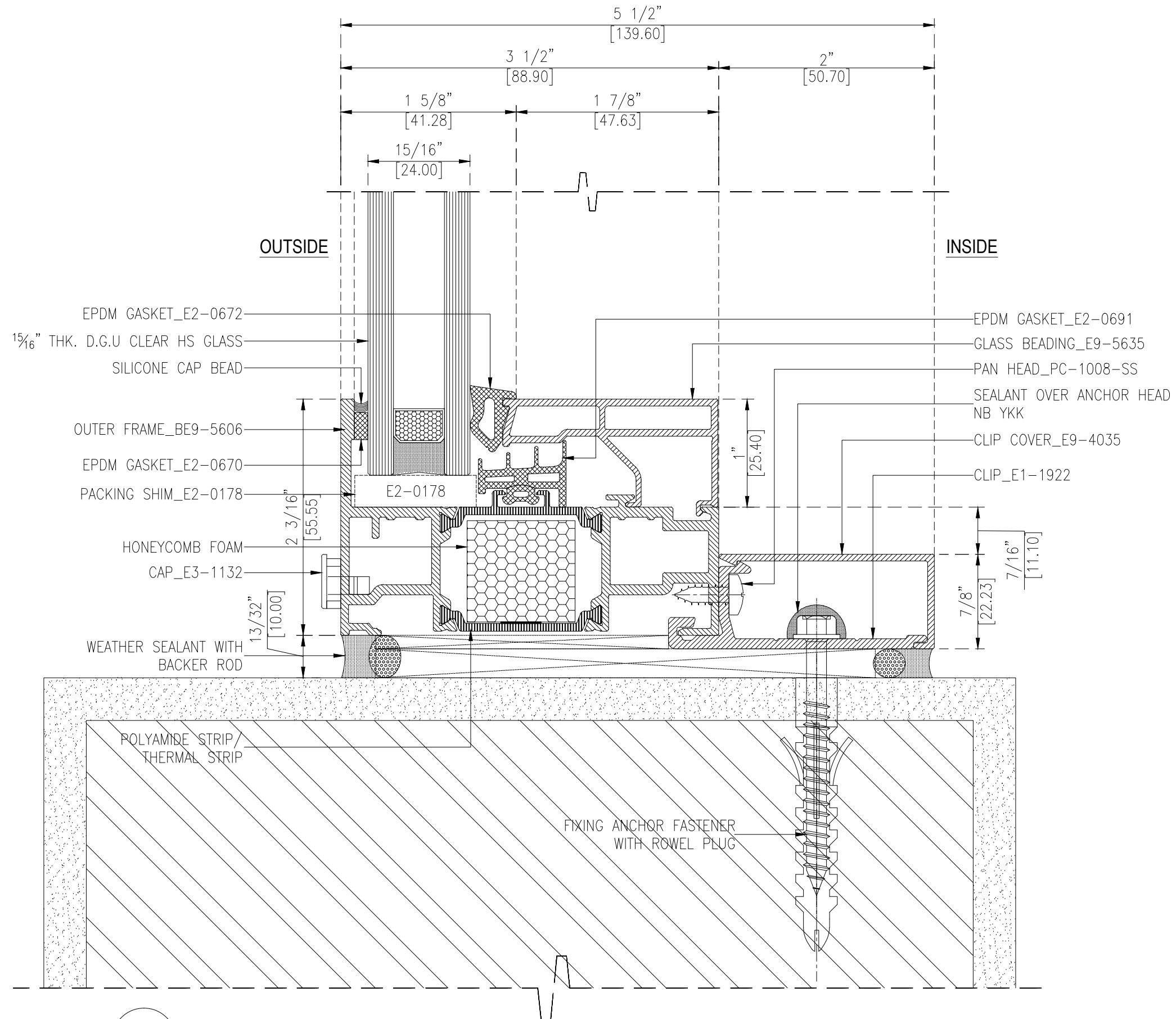
DRAWING TITLE:  
**DETAIL-002**

DRAWN:	CHECKED:	APPROVED:	PAGE NO.	PR. CODE:	
DINESH	RAJ.G	RAJ.G	005	22308	
DATE:	DATE:	DATE:	SHEET NO.	SCALE:	SIZE:
10 Dec,19	-	-	5 OF 8	AS SHOWN	A3

DRAWING NUMBER:  
**UNC/SCH-SIMSONA-AL-DWG-DT-0402**

REV:  
**00**

STATUS: SAMPLE DRAWING



EPDM GASKET\_E2-0672  
 15/16" THK. D.G.U CLEAR HS GLASS  
 SILICONE CAP BEAD  
 OUTER FRAME\_BE9-5606  
 EPDM GASKET\_E2-0670  
 PACKING SHIM\_E2-0178  
 HONEYCOMB FOAM  
 CAP\_E3-1132  
 WEATHER SEALANT WITH BACKER ROD

EPDM GASKET\_E2-0691  
 GLASS BEADING\_E9-5635  
 PAN HEAD\_PC-1008-SS  
 SEALANT OVER ANCHOR HEAD NB YKK  
 CLIP COVER\_E9-4035  
 CLIP\_E1-1922

POLYAMIDE STRIP/  
 THERMAL STRIP  
 FIXING ANCHOR FASTENER  
 WITH ROWEL PLUG

**DT-003** **DETAIL:**  
 0301, 0302 & 0303 **SCALE: 1:1**

\*GENERAL NOTES:  
 1. ALL DIMENSION AND LEVELS ARE IN FEET INCH.  
 2. ALL DIMENSIONS ARE TO BE READ NOT MEASURED.  
 3. ALL ELEVATIONS VIEWED AS PER SHOWN.

REFERENCE DRAWINGS:

—	—	—
—	—	—
—	—	—
—	—	—
—	—	—
—	—	—
—	—	—
—	—	—

DESIGN DRAWING NO. REV. NO. DATE:

FACADE CONSULTANT:  
**JOSEPH B. CALLAGHAN, INC.**  
 1617 John F. Kennedy Blvd  
 Suite 1655  
 Philadelphia, PA 19103  
 T: 215.665.0497

ARCHITECT DESIGN CONSULTANT:  
**KSS ARCHITECTS**  
 Princeton | Philadelphia  
 337 Witherspoon Street  
 Princeton, NJ 08542  
 T: 609.921.1131

PROJECT:  
**UNCOMMON SCHOOL**  
 ADDITION AND RENOVATION  
 NORTH STAR ACADEMY-571 18TH AVENUE  
 571 18TH AVENUE, NEWARK, NJ 07103  
 LOT 1, BLOCKS 358-359

CLIENT:  
 —

ISSUE

—	—	—	—
—	—	—	—
—	—	—	—
—	—	—	—
—	—	—	—
—	—	—	—
—	—	—	—
—	—	—	—
—	—	—	—
—	—	—	—
—	—	—	—
—	—	—	—

NO. DESCRIPTION: DATE: REV.BY

DISCIPLINE:

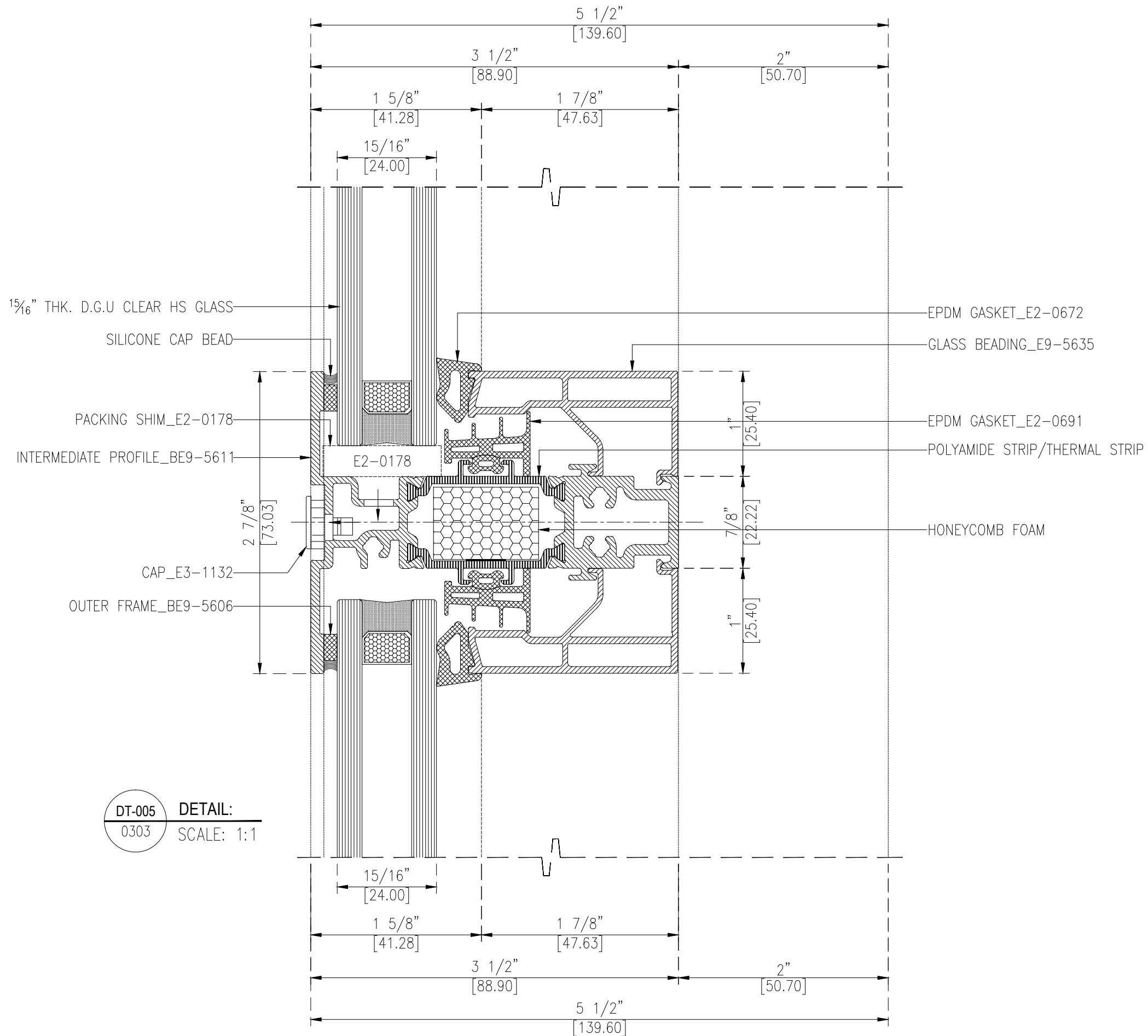
FACADE CONTRACTOR:  
 **SIMSONA CORPORATION**  
 2275 Research Boulevard  
 Suite 500  
 Rockville, MD 20850  
 Office: 301-774-0880  
 Cell: 301-408-8553, FAX: 301-260-0239  
 E-mail: raj@simsona.com

DRAWING TITLE:  
**DETAIL-003**

DRAWN:	CHECKED:	APPROVED:	PAGE NO.	PR. CODE:
DINESH	RAJ.G	RAJ.G	006	22308
DATE:	DATE:	DATE:	SHEET NO.	SCALE:
10 Dec,19	—	—	6 OF 8	AS SHOWN
DRAWING NUMBER:				REV:
UNC/SCH-SIMSONA-AL-DWG-DT-0403				00
STATUS: SAMPLE DRAWING				







DT-005  
0303

**DETAIL:**  
SCALE: 1:1

- \*GENERAL NOTES:
1. ALL DIMENSION AND LEVELS ARE IN FEET INCH.
  2. ALL DIMENSIONS ARE TO BE READ NOT MEASURED.
  3. ALL ELEVATIONS VIEWED AS PER SHOWN.

REFERENCE DRAWINGS:


DESIGN DRAWING NO.      REV. NO.      DATE:

FACADE CONSULTANT:  
**JOSEPH B. CALLAGHAN, INC.**  
1617 John F. Kennedy Blvd  
Suite 1655  
Philadelphia, PA 19103  
T: 215.665.0497

ARCHITECT DESIGN CONSULTANT:  
**KSS ARCHITECTS**  
Princeton | Philadelphia  
337 Witherspoon Street  
Princeton, NJ 08542  
T: 609.921.1131

PROJECT:  
**UNCOMMON SCHOOL**  
ADDITION AND RENOVATION  
NORTH STAR ACADEMY-571 18TH AVENUE  
571 18TH AVENUE, NEWARK, NJ 07103  
LOT 1, BLOCKS 358-359

CLIENT:

ISSUE


NO.      DESCRIPTION:      DATE:      REV.BY

DISCIPLINE:

FACADE CONTRACTOR:  
**SIMSONA CORPORATION**  
2275 Research Boulevard  
Suite 500  
Rockville, MD 20850  
Office: 301-774-0880  
Cell: 301-408-8553, FAX: 301-260-0239  
E-mail: raj@simsona.com

DRAWING TITLE:

**DETAIL-005**

DRAWN:	CHECKED:	APPROVED:	PAGE NO.	PR. CODE:
DINESH	RAJ.G	RAJ.G	008	22308
DATE:	DATE:	DATE:	SHEET NO.	SCALE:
10 Dec,19	-	-	8 OF 8	AS SHOWN
				SIZE:
				A3

DRAWING NUMBER:      REV:

UNC/SCH-SIMSONA-AL-DWG-DT-0405      00

STATUS: SAMPLE DRAWING



