

DALLAS HARRIS ELEMENTARY SCHOOL

3302 SOUTH BARNSIDE WAY

STOREFRONT/CURTAINWALL SHOP DRAWING SET

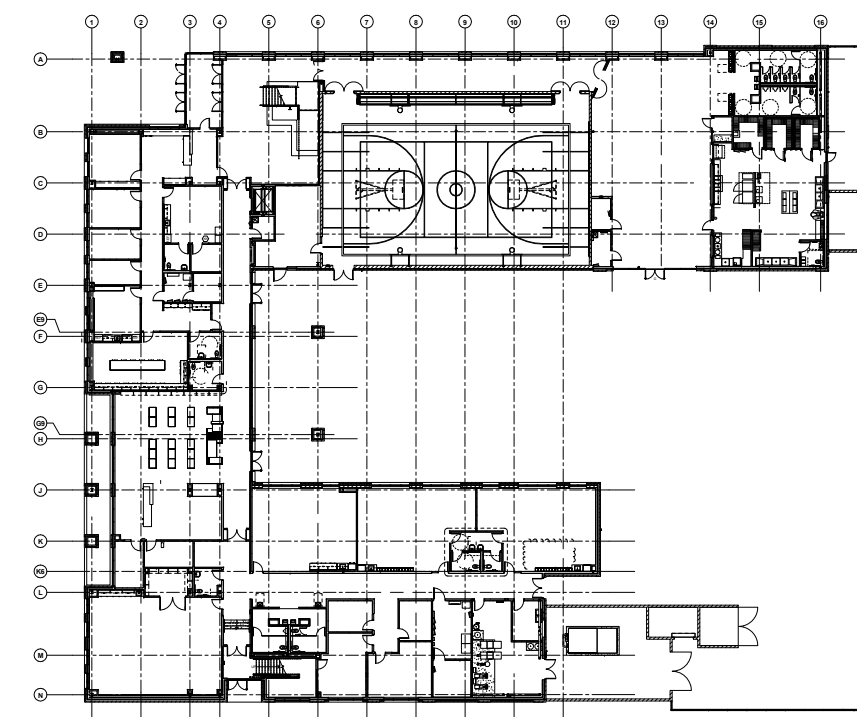
SUBMITTAL NOTES

1. THIS DRAWING PACKAGE IS BEING SUBMITTED FOR APPROVAL ONLY, ANY MATERIALS ORDERED OR CONSTRUCTED BASED ON THIS DRAWING PACKAGE BEFORE FINAL APPROVAL FROM THE ARCHITECT AND ENGINEER-OF-RECORD IS AT THE RISK OF THE CONTRACTOR. THE CONTRACTOR IS ADVISED TO OBTAIN A FINAL APPROVED DRAWING PACKAGE BEFORE ORDERING THE MATERIAL AND/OR CONSTRUCTION. SIMSONA CORP. IS NOT RESPONSIBLE FOR CONTRACTOR PROCEEDING WITHOUT A FINAL APPROVED DRAWING PACKAGE.
2. THIS DRAWING SUBMITTAL HAS BEEN PREPARED IN COORDINATION WITH CONTRACT DOCUMENTS MENTIONED IN THE REFERENCE TABLE.
3. SUBMITTAL PROCESS IS AS FOLLOWS: SIMSONA CORP. SHALL SUBMIT THIS DRAWING PACKAGE FOR APPROVAL. THE CONTRACTOR IS RESPONSIBLE FOR SUBMISSION TO THE RELEVANT PARTIES PER HIS CONTRACT REQUIREMENTS. UPON RETURNED SUBMITTAL FROM ALL RELEVANT PARTIES, CONTRACTOR SHALL FORWARD A COPY OF THIS DRAWINGS PACKAGE WITH COMMENTS AND APPROVALS TO SIMSONA CORP. FAILURE TO FOLLOW THIS PROCESS COMPLETELY AND PROMPTLY RELEASES SIMSONA CORP. FROM ANY CLAIMS AND DESIGN LIABILITY.
4. FOR ALL CONDITIONS LISTED HEREIN AND/OR REQUIRED FOR THIS PROJECT. IT IS THE GENERAL CONTRACTOR'S, ARCHITECT'S, AND THE EOR'S RESPONSIBILITY TO MARK THE DRAWINGS ACCORDING TO THE ACTUAL DESIGN REQUIREMENT, COORDINATION WITH OTHER WORK, AND DIFFERING FIELD CONDITIONS THAT EXIST AT THE TIME OF INITIAL CREATION OF THIS DRAWINGS PACKAGE.
5. THE CONTENTS OF THIS SHOP DRAWING SUBMITTAL SHOWED THE STOREFRONT AND CURTAINWALL SHOPDRAWING



SIMSONA SHEET LIST			
NUMBER	NAME	DATE	REVISION
SD-000	COVER PAGE	06/23/2022	
SD-100	1ST FLOOR PLAN VIEW	06/23/2022	
SD-101	2ND FLOOR PLAN VIEW	06/23/2022	
SD-102	3RD FLOOR PLAN VIEW	06/23/2022	
SD-200	EXTERIOR STOREFRONT A AND CURTAINWALL AA	06/23/2022	1
SD-201	EXTERIOR STOREFRONT B, BB	06/23/2022	
SD-202	EXTERIOR STOREFRONT C, CC	06/23/2022	
SD-203	EXTERIOR STOREFRONT D, D1	06/23/2022	
SD-204	EXTERIOR STOREFRONT E, F	06/23/2022	
SD-205	EXTERIOR STOREFRONT G, J	06/23/2022	
SD-206	EXTERIOR STOREFRONT K, L	06/23/2022	
SD-207	EXTERIOR STOREFRONT M, N	06/23/2022	
SD-208	EXTERIOR STOREFRONT P, Q	06/23/2022	2
SD-209	EXTERIOR STOREFRONT R, S, T	06/23/2022	
SD-210	EXTERIOR STOREFRONT U, V	06/23/2022	
SD-211	EXTERIOR STOREFRONT W, WW AND CURTAINWALL Y	06/23/2022	1
SD-212	INTERIOR STOREFRONT DD	06/23/2022	
SD-300	TYPICAL DETAILS- OBE FG-3000/6000 SERIES	06/23/2022	
SD-301	TYPICAL DETAILS- INTERIOR OBE 500 WIDE STILE DOOR	06/23/2022	
SD-302	TYPICAL DETAILS- EXTERIOR OBE 500 WIDE STILE DOOR	06/23/2022	
SD-303	TYPICAL DETAILS - USALUM 7400 SERIES	06/23/2022	
SD-304	TYPICAL DETAILS-OBE RELIANCE SERIES	06/23/2022	1
TOTAL: 22			

1	REVISED CONCERNING SUBMITTAL#01 COMMENTS
2	REVISED CONCERNING SUBMITTAL#02 COMMENTS
LATEST REVISION DATE= 06-23-2022	



KEY PLAN

THE SCOPE OF THIS WORK IS TO

- TO PREPARE STOREFRONT AND CURTAINWALL SHOP DRAWING BY TAKING REFERENCE TO THE CONTRACT DOCUMENTS MENTIONED IN THE REFERENCE TABLE.

SCOPE OF WORK

REFERENCE TABLE

DOCUMENTS	DATE	TIME	APPROVAL STATUS
ARCHITECTURAL PDF SET	06/09/2022	10:00 AM	ADDENDUM 4

DHES SUBMITTAL#03_06-23-2022

COVER PAGE

PROJECT NUMBER	SIM-44	SD-000
DATE	06/23/2022	
Drawn by	AG,AY,SS	SCALE- 1" = 60'-0"
Checked by	AG,AY,SS,AP	

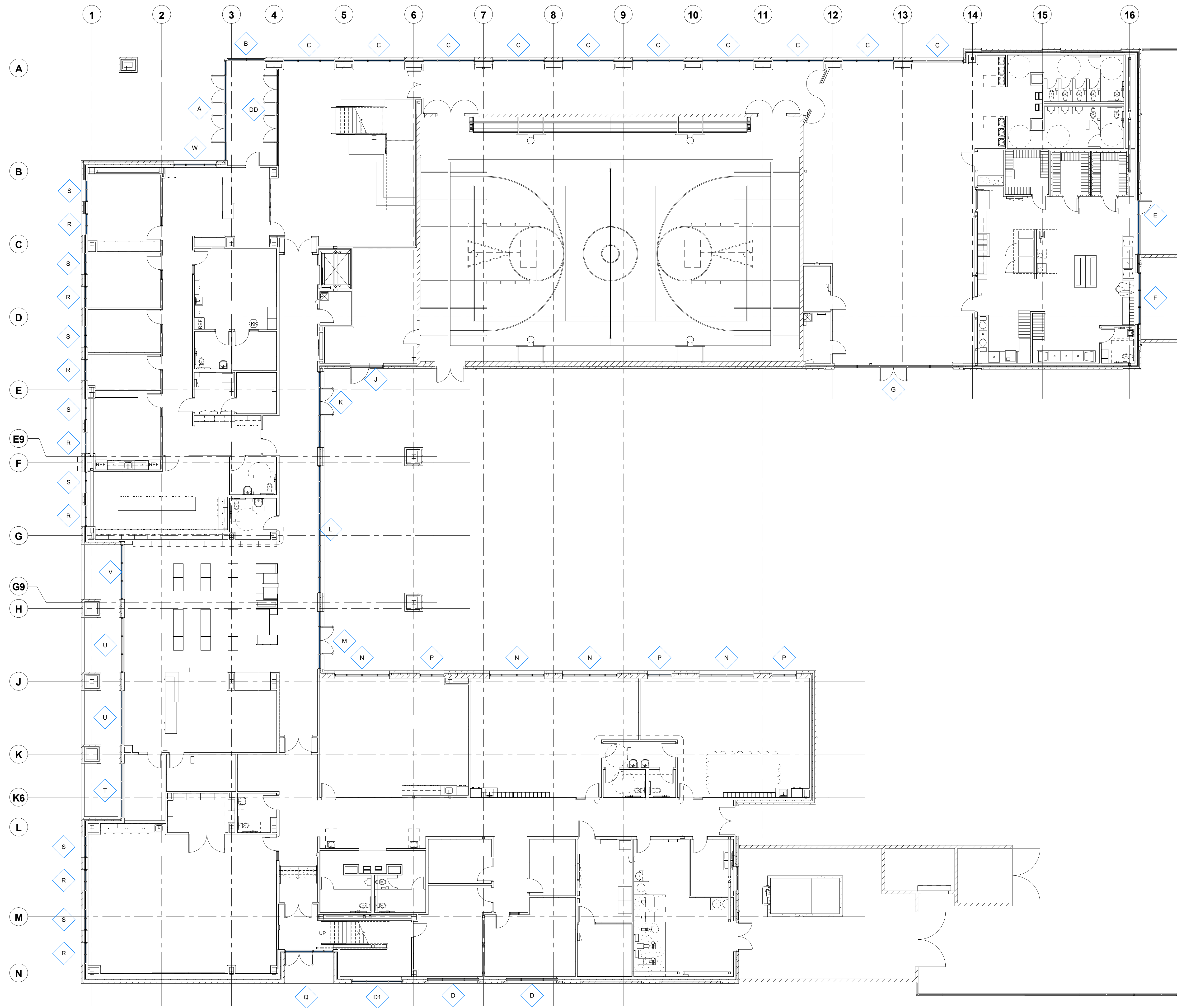
BIM ARCHITECTS AND ENGINEERS

SIMSONA CORP.
 1451 Rockville Pike, Suite #250,
 Rockville, MD 20850
 Phone : 301-408-8553
 Email: raj@simsona.com
 www.simsonacadd.com

PROJECT NAME
DALLAS HARRIS ELEMENTARY SCHOOL

3302 SOUTH BARNSIDE WAY

Revision Schedule		
Revision Number	Revision Description	Revision Date



BIM ARCHITECTS AND ENGINEERS
SIMSONA CORP.
 1451 Rockville Pike, Suite #250,
 Rockville, MD 20850
 Phone : 301-408-8553
 Email: raj@simsona.com
 www.simsonacadd.com

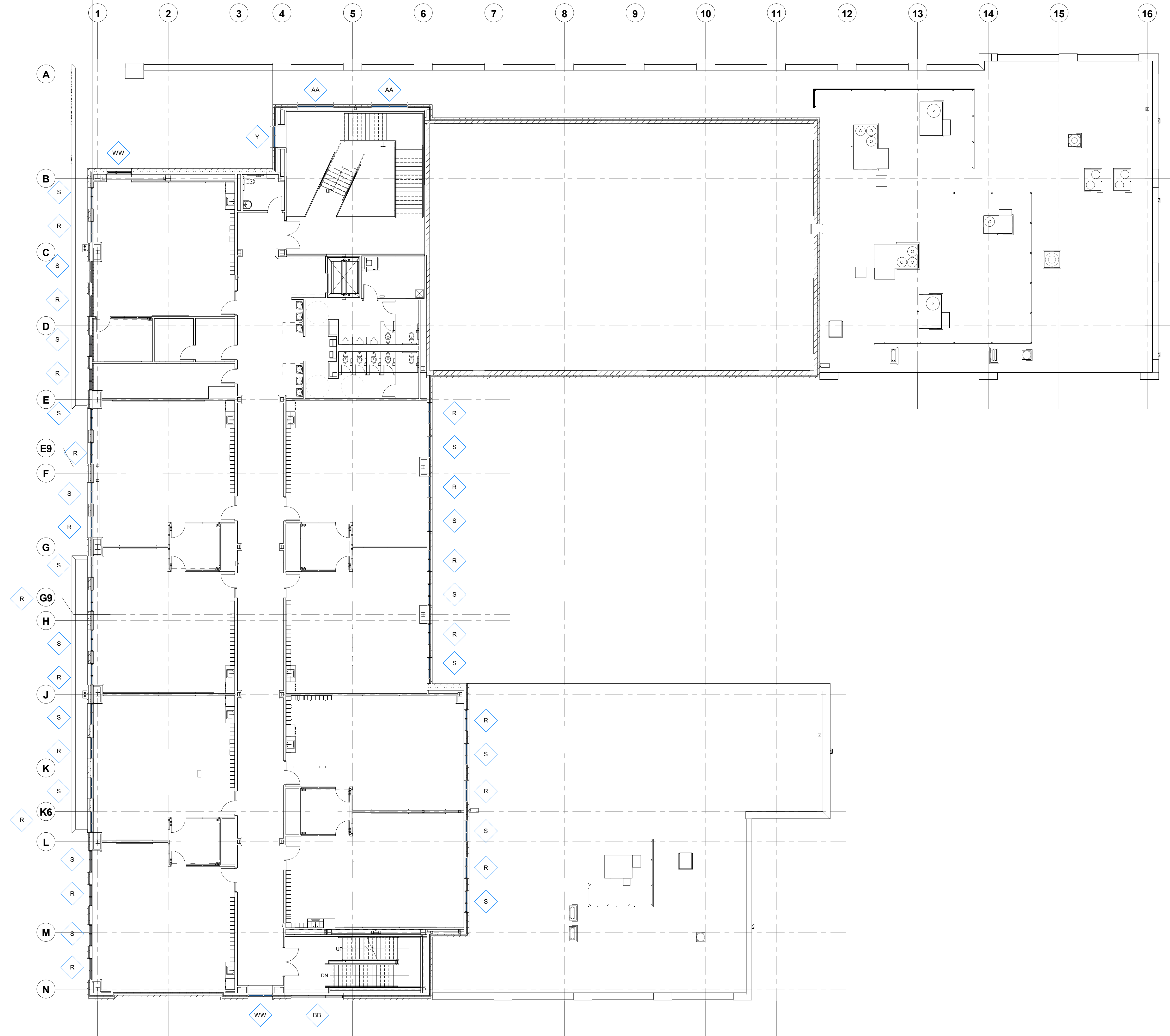
PROJECT NAME

DALLAS HARRIS ELEMENTARY SCHOOL
3302 SOUTH BARNSIDE WAY

Revision Number	Revision Schedule	
	Revision Description	Revision Date

1ST FLOOR PLAN VIEW

PROJECT NUMBER	SIM-44	SD-100
DATE	06/23/2022	
Drawn by	AG,AY,SS	SCALE- 1" = 10'-0"
Checked by	AG,AY,SS,AP	



BIM ARCHITECTS AND ENGINEERS
SIMSONA CORP.
 1451 Rockville Pike, Suite #250,
 Rockville, MD 20850
 Phone : 301-408-8553
 Email: raj@simsona.com
 www.simsonacadd.com

PROJECT NAME

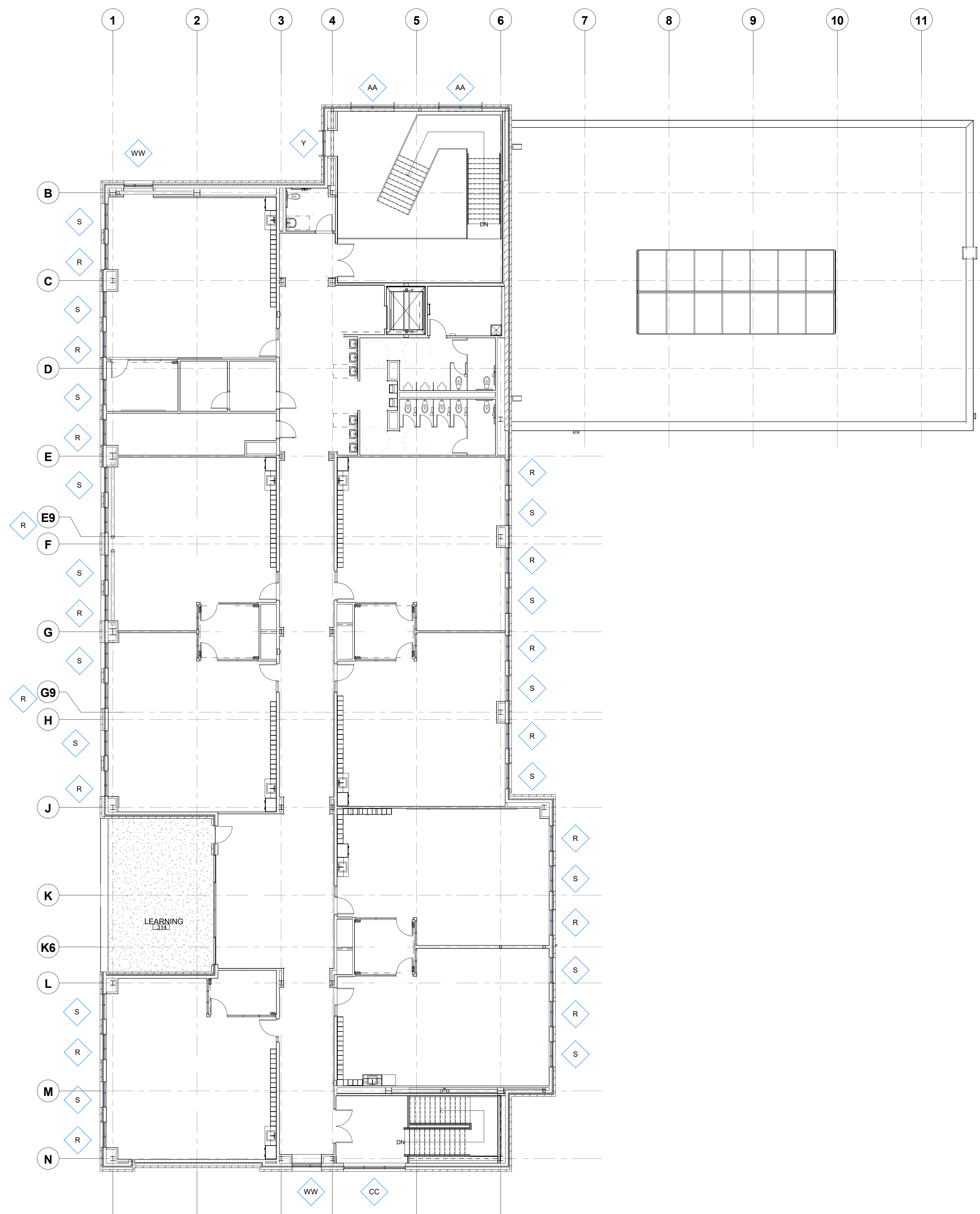
DALLAS HARRIS ELEMENTARY SCHOOL

3302 SOUTH BARNSIDE WAY

Revision Schedule		
Revision Number	Revision Description	Revision Date

2ND FLOOR PLAN VIEW

PROJECT NUMBER	SIM-44	SD-101
DATE	06/23/2022	
Drawn by	AG,AY,SS	SCALE- 1" = 10'-0"
Checked by	AG,AY,SS,AP	



Revision Schedule		
Revision Number	Revision Description	Revision Date

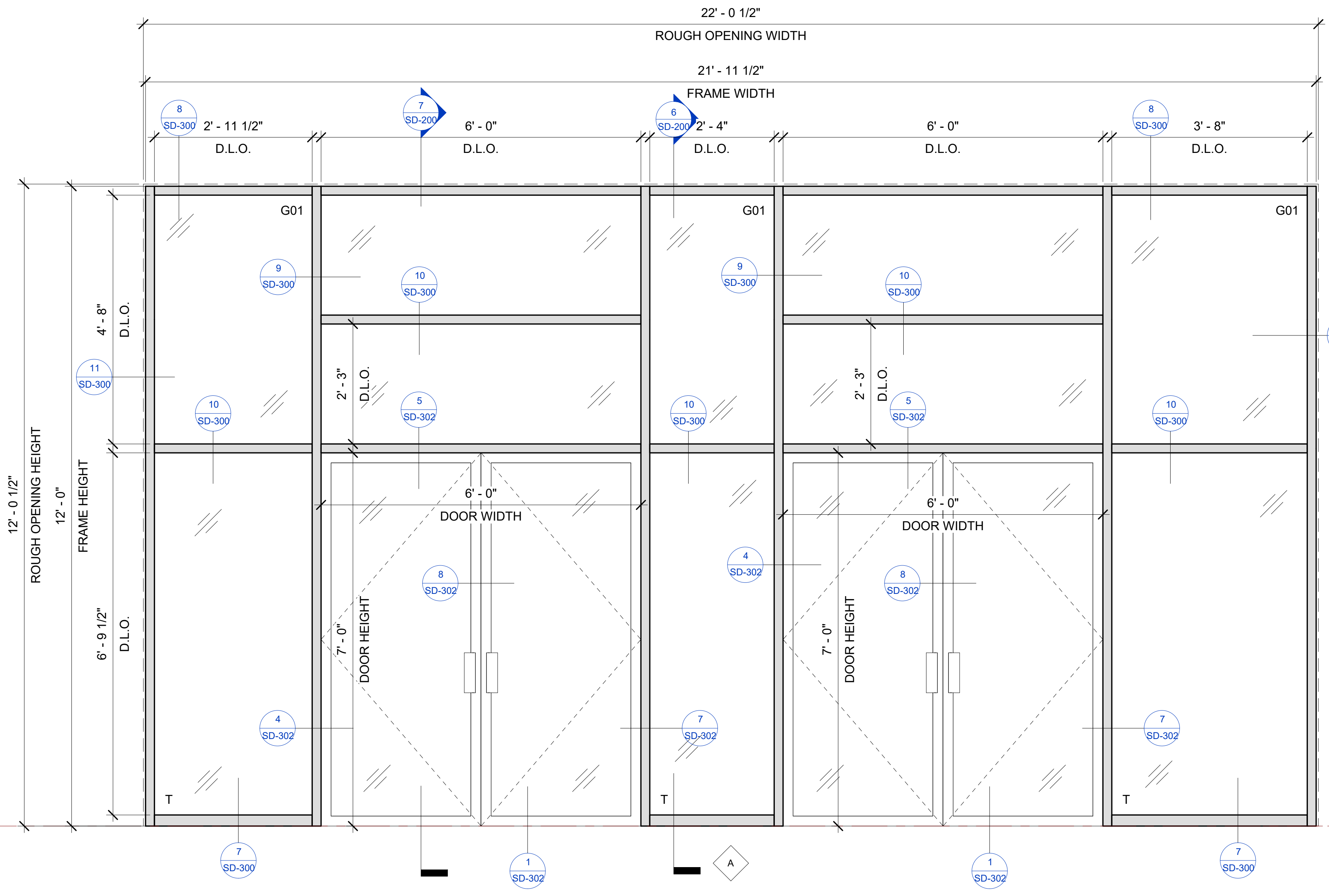
3RD FLOOR PLAN VIEW

PROJECT NUMBER	SIM-44	SD-102
DATE	06/23/2022	
Drawn by	AG,AY,SS	SCALE- 1" = 10'-0"
Checked by	AG,AY,SS,AP	

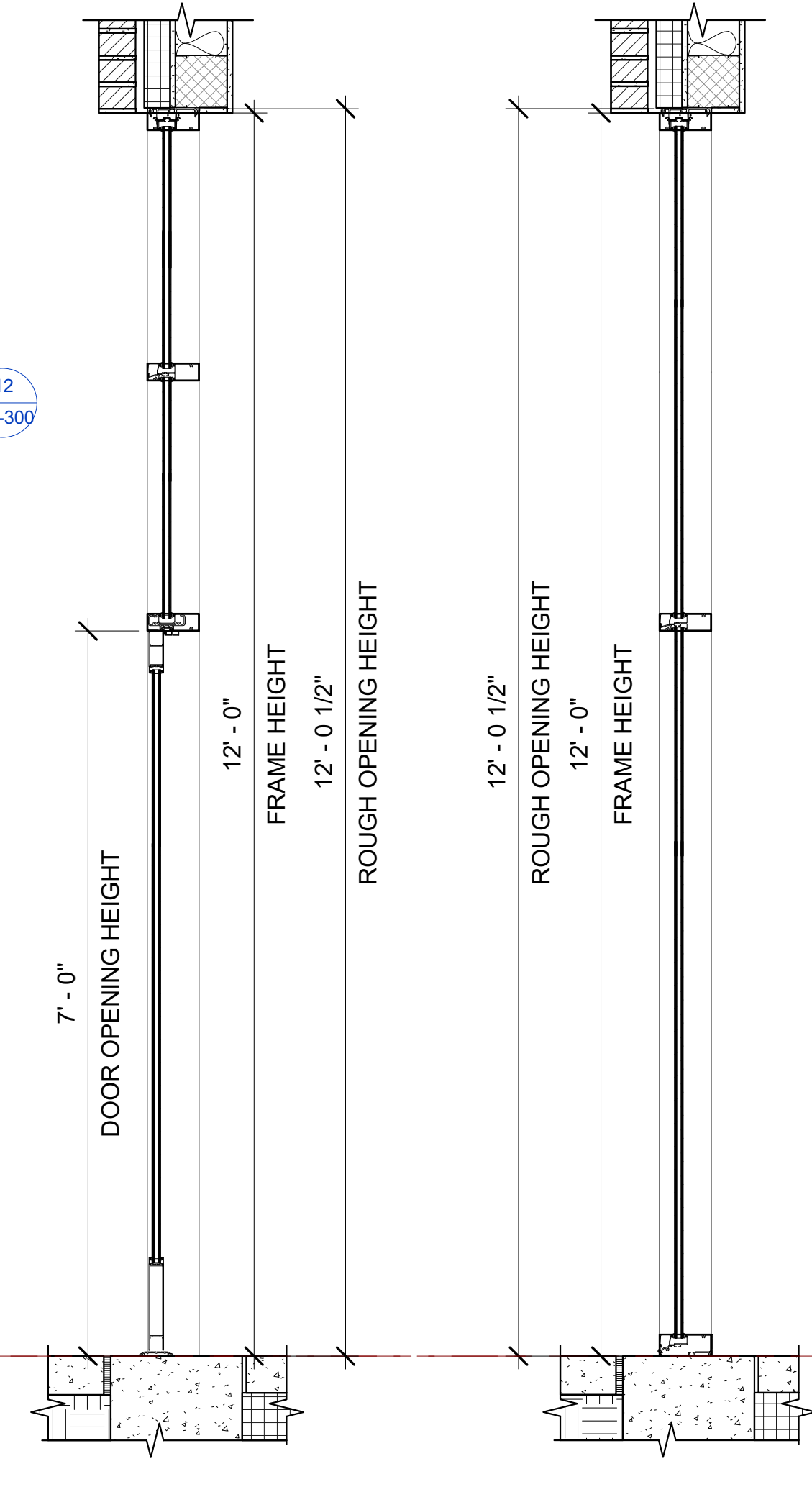
A EXTERIOR STOREFRONT SCHEDULE									
NAME	FRAME SIZE		FRAME FINISHES				FRAME SPECIFICATION		
	FRAME LENGTH	FRAME HEIGHT	MFR.	SERIES	PANEL MATERIAL	FINISHES	MULLION SIZE	GLAZING TYPE	COUNT
A	21' - 11 1/2"	12' - 0"	OBE	FG-6000	ALUMINIUM	CLASS 1-COLOR ANODIZED	2" x 6"	G01,T	1

AA EXTERIOR CURTAINWALL SCHEDULE									
NAME	FRAME SIZE		FRAME FINISHES				FRAME SPECIFICATION		
	FRAME LENGTH	FRAME HEIGHT	MFR.	SERIES	PANEL MATERIAL	FINISHES	MULLION SIZE	GLAZING TYPE	COUNT
AA	8' - 0"	20' - 8"	OBE	RELIANC E	ALUMINIUM	CLASS 1-COLOR ANODIZED	2 1/2" x 6"	G01	4

GLASS SPECIFICATIONS	
G01	1" INSULATED GLASS, LOW-E, TEMPERED SAFETY GLASS, GRAY TINTED
G02	1/4" CLEAR FLOAT GLASS
G03	1" INSULATED BLACK SPANDREL GLASS
T	SAFETY GLASS

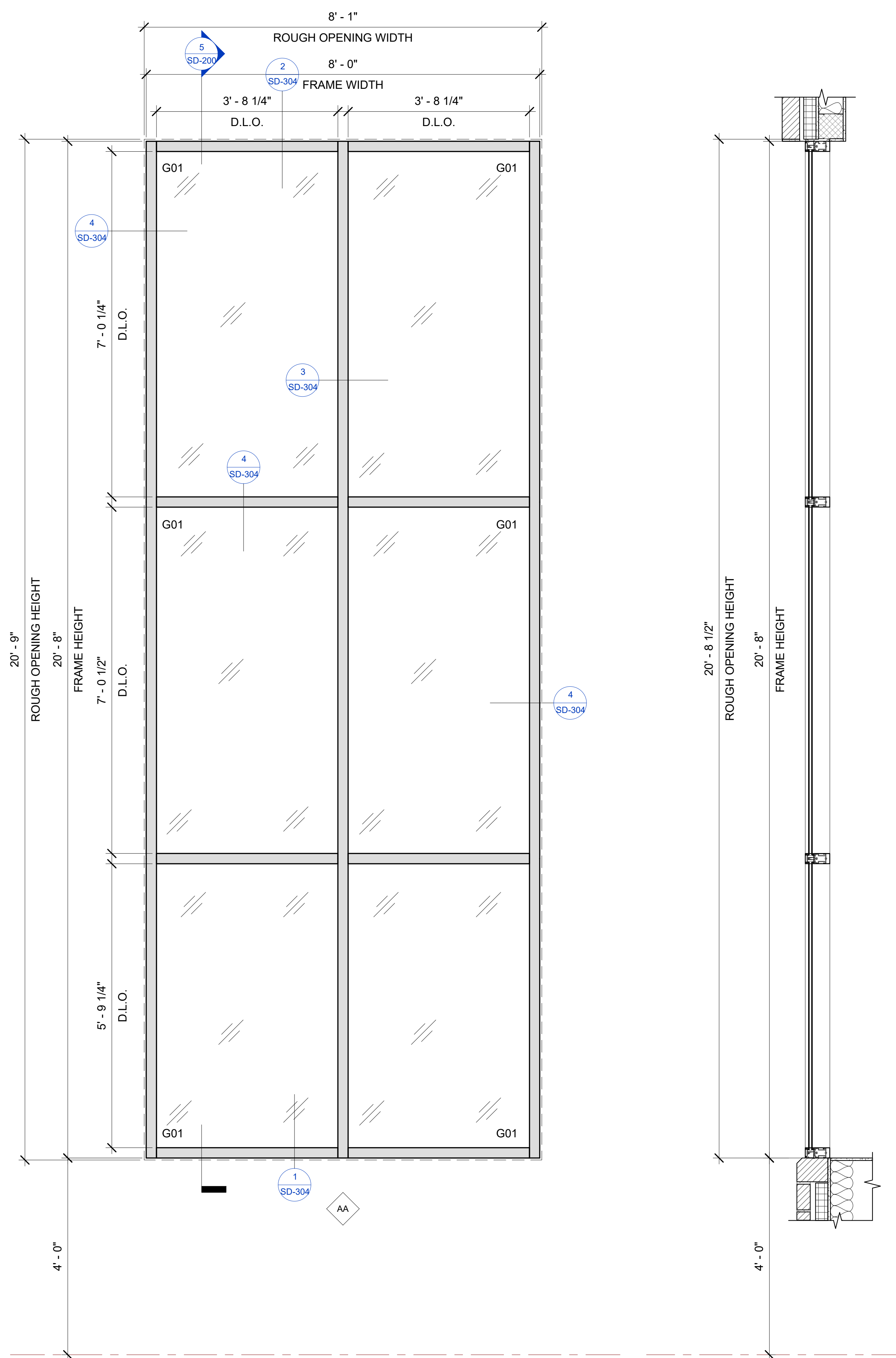


2 EXTERIOR STOREFRONT A
3/4" = 1'-0"



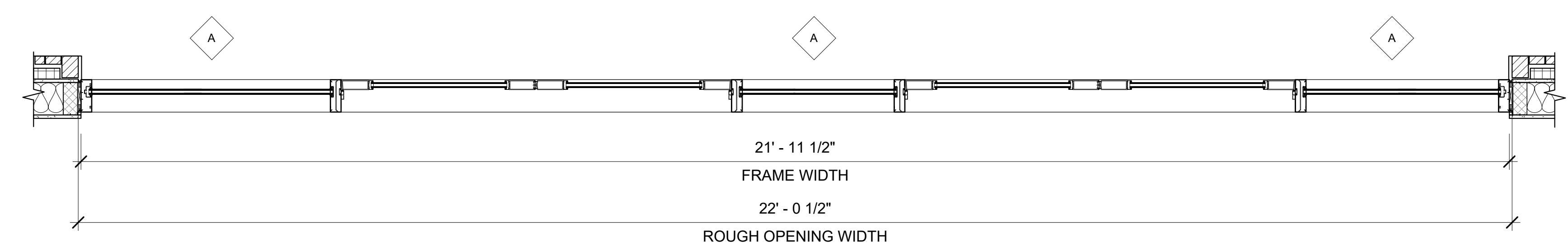
7 EXTERIOR STOREFRONT SECTION A
TYPE A
3/4" = 1'-0"

8 EXTERIOR STOREFRONT SECTION A
TYPE B
3/4" = 1'-0"

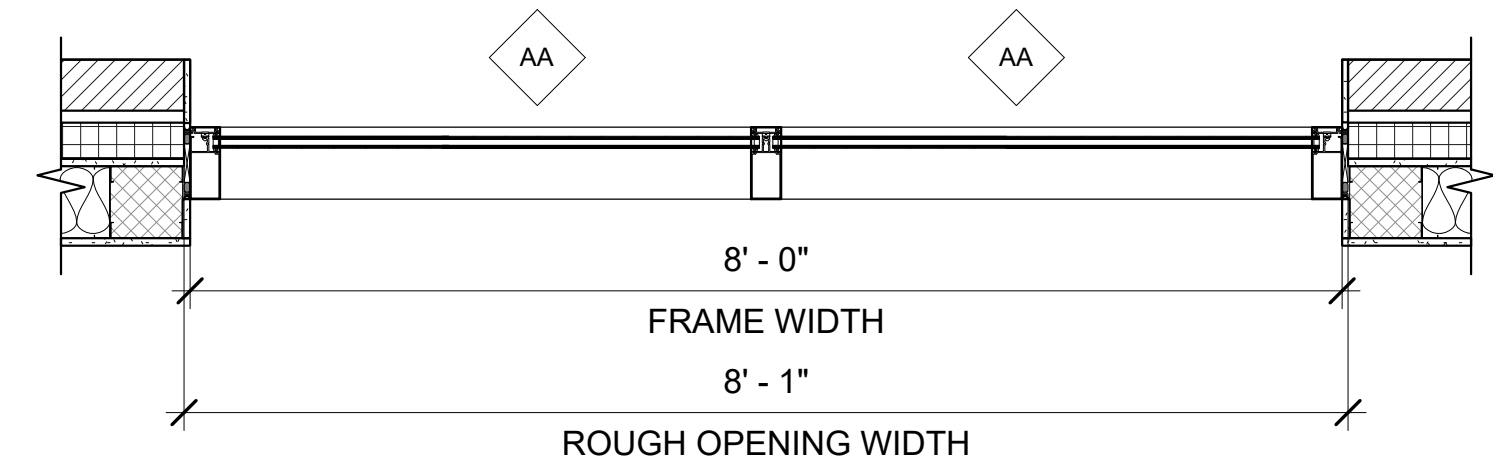


3 EXTERIOR STOREFRONT AA
3/4" = 1'-0"

5 EXTERIOR STOREFRONT SECTION AA
3/4" = 1'-0"



1 EXTERIOR STOREFRONT A PLAN VIEW
3/4" = 1'-0"



4 EXTERIOR STOREFRONT AA PLAN VIEW
3/4" = 1'-0"

BIM ARCHITECTS AND ENGINEERS

SIMSONA CORP.
1451 Rockville Pike, Suite #250,
Rockville, MD 20850
Phone : 301-408-8553
Email: raj@simsona.com
www.simsonacadd.com

PROJECT NAME

DALLAS HARRIS ELEMENTARY SCHOOL

3302 SOUTH BARNESIDE WAY

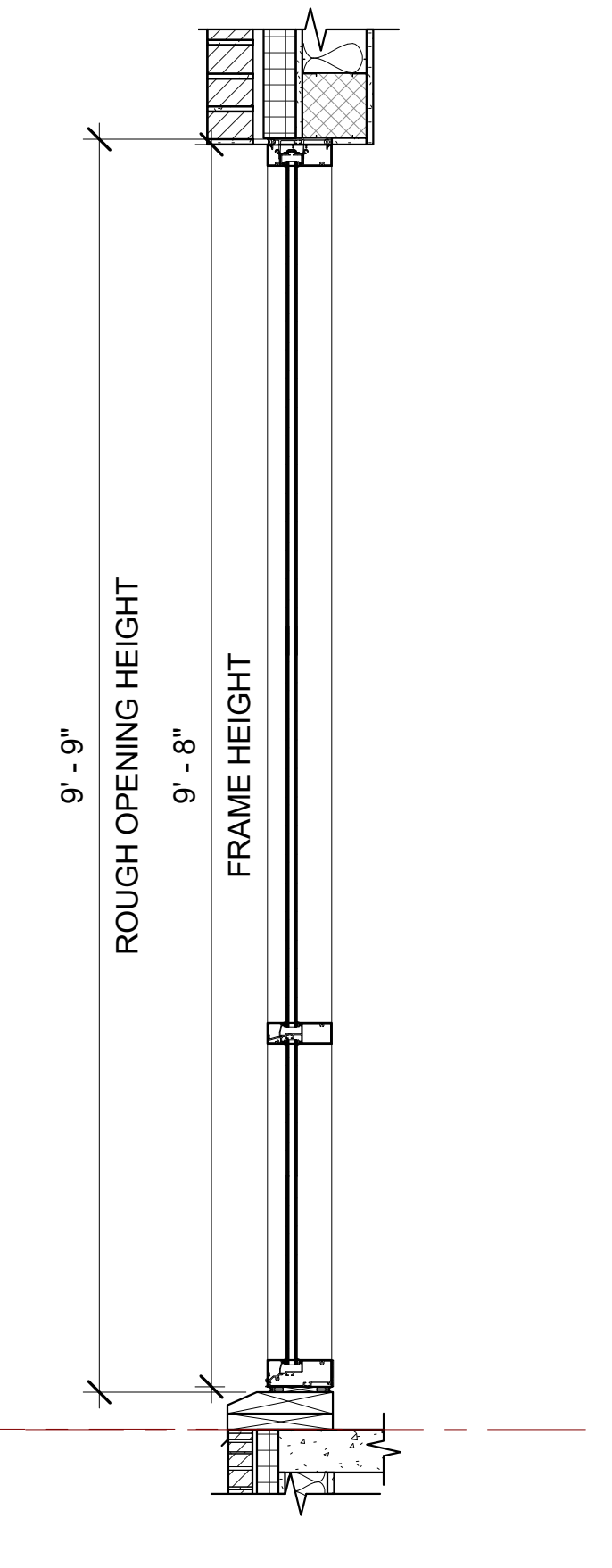
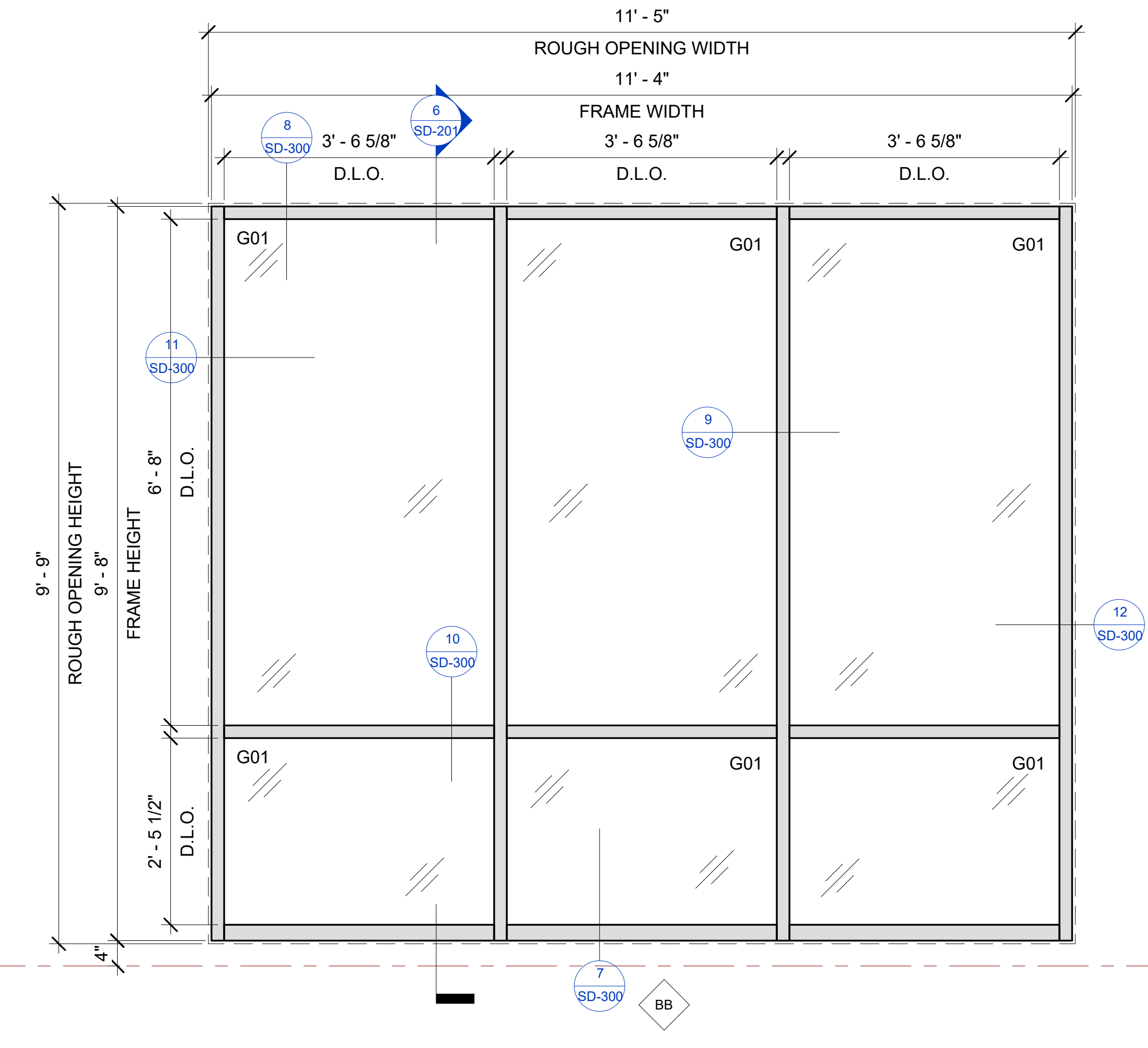
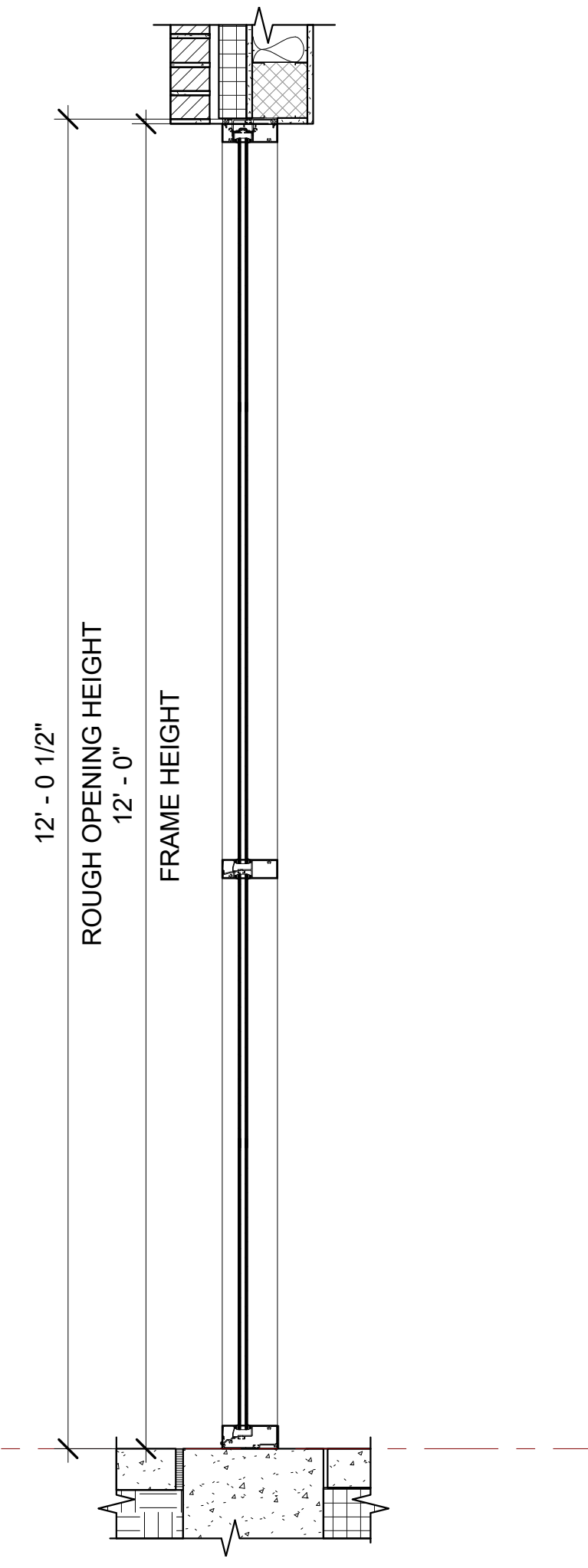
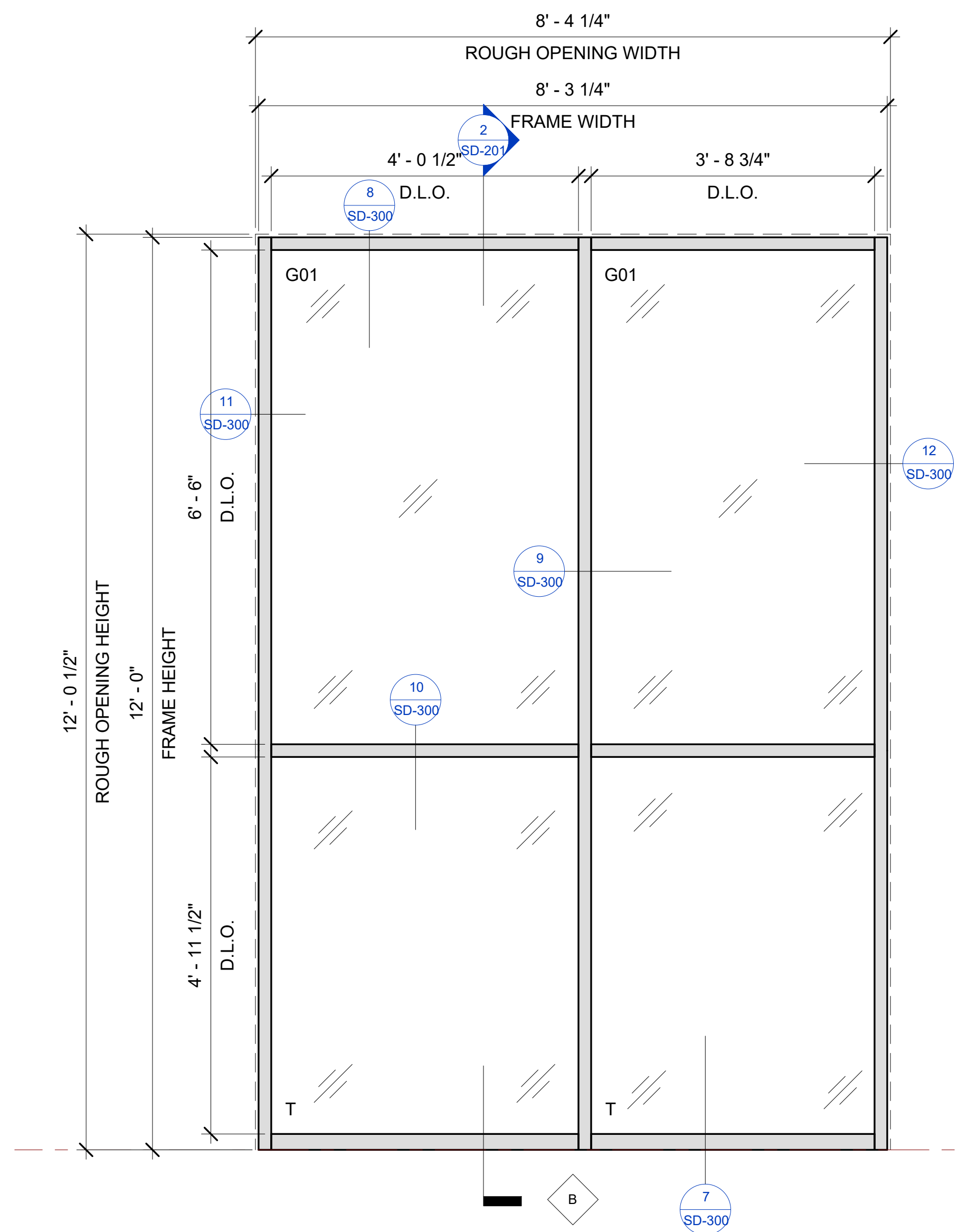
Revision Schedule		
Revision Number	Revision Description	Revision Date
1	REVISED CONCERNING SUBMITTAL#01 COMMENTS	06-21-2022

EXTERIOR STOREFRONT A AND CURTAINWALL AA		
PROJECT NUMBER	SIM-44	SD-200
DATE	06/23/2022	
Drawn by	AG,AY,SS	SCALE- 3/4" = 1'-0"
Checked by	AG,AY,SS,AP	

B EXTERIOR STOREFRONT SCHEDULE									
NAME	FRAME SIZE		FRAME FINISHES				FRAME SPECIFICATION		
	FRAME LENGTH	FRAME HEIGHT	MFR.	SERIES	PANEL MATERIAL	FINISHES	MULLION SIZE	GLAZING TYPE	COUNT
B	8' - 3 1/4"	12' - 0"	OBE	FG-6000	ALUMINIUM	CLASS 1-COLOR ANODIZED	2" x 6"	G01,T	1

BB EXTERIOR STOREFRONT SCHEDULE									
NAME	FRAME SIZE		FRAME FINISHES				FRAME SPECIFICATION		
	FRAME LENGTH	FRAME HEIGHT	MFR.	SERIES	PANEL MATERIAL	FINISHES	MULLION SIZE	GLAZING TYPE	COUNT
BB	11' - 4"	9' - 8"	OBE	FG-6000	ALUMINIUM	CLASS 1-COLOR ANODIZED	2" x 6"	G01	1

GLASS SPECIFICATIONS	
G01	1" INSULATED GLASS, LOW-E, TEMPERED SAFETY GLASS, GRAY TINTED
G02	1/4" CLEAR FLOAT GLASS
G03	1" INSULATED BLACK SPANDREL GLASS
T	SAFETY GLASS

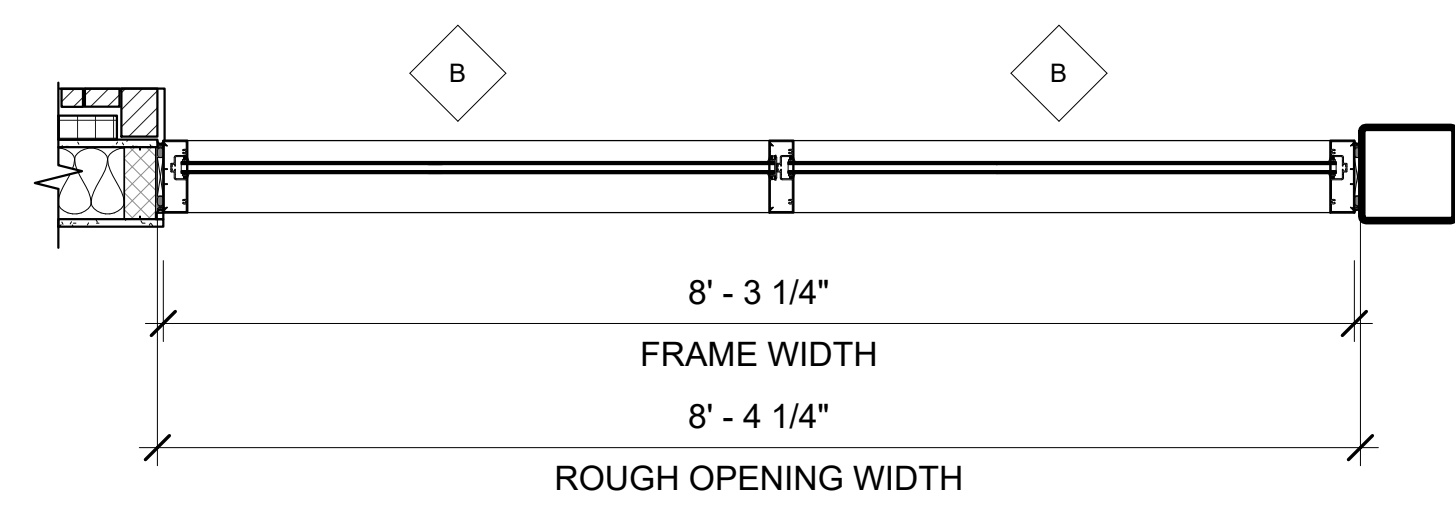


1 EXTERIOR STOREFRONT B
3/4" = 1'-0"

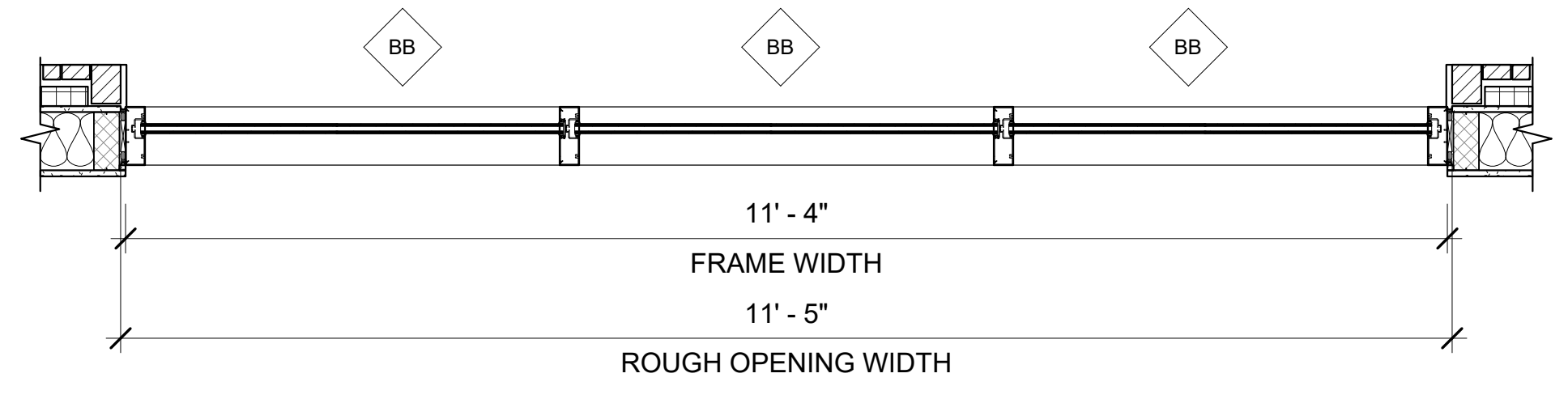
2 EXTERIOR STOREFRONT SECTION B
3/4" = 1'-0"

5 EXTERIOR STOREFRONT BB
3/4" = 1'-0"

6 EXTERIOR STOREFRONT SECTION BB
3/4" = 1'-0"



3 EXTERIOR STOREFRONT B PLAN VIEW
3/4" = 1'-0"



4 EXTERIOR STOREFRONT BB PLAN VIEW
3/4" = 1'-0"

BIM ARCHITECTS AND ENGINEERS
SIMSONA CORP.
 1451 Rockville Pike, Suite #250,
 Rockville, MD 20850
 Phone : 301-408-8553
 Email: raj@simsona.com
 www.simsonacadd.com

PROJECT NAME
DALLAS HARRIS ELEMENTARY SCHOOL
 3302 SOUTH BARNSIDE WAY

Revision Schedule		
Revision Number	Revision Description	Revision Date

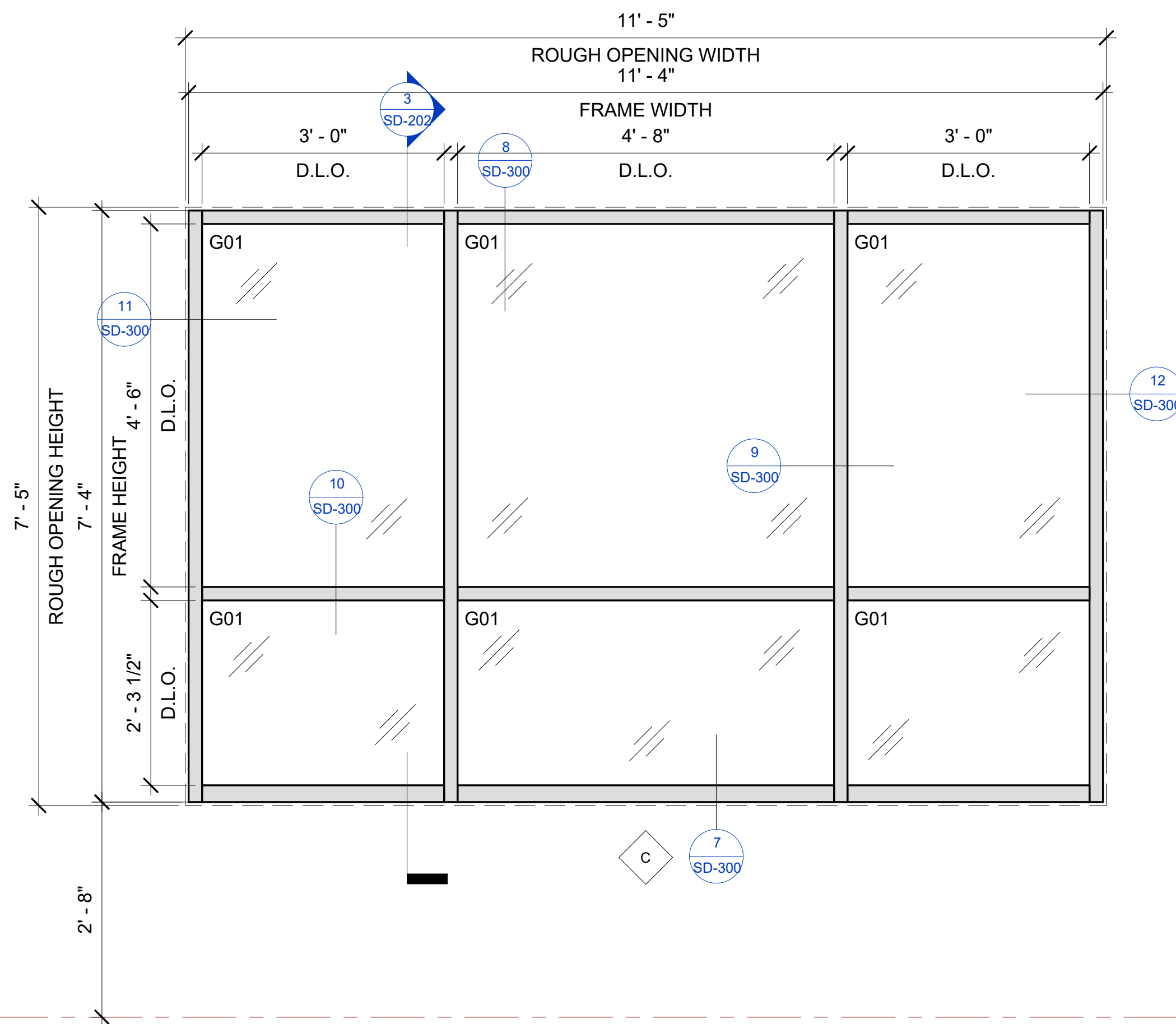
EXTERIOR STOREFRONT B, BB

PROJECT NUMBER	SIM-44	SD-201
DATE	06/23/2022	
Drawn by	AG,AY,SS	SCALE- 3/4" = 1'-0"
Checked by	AG,AY,SS,AP	

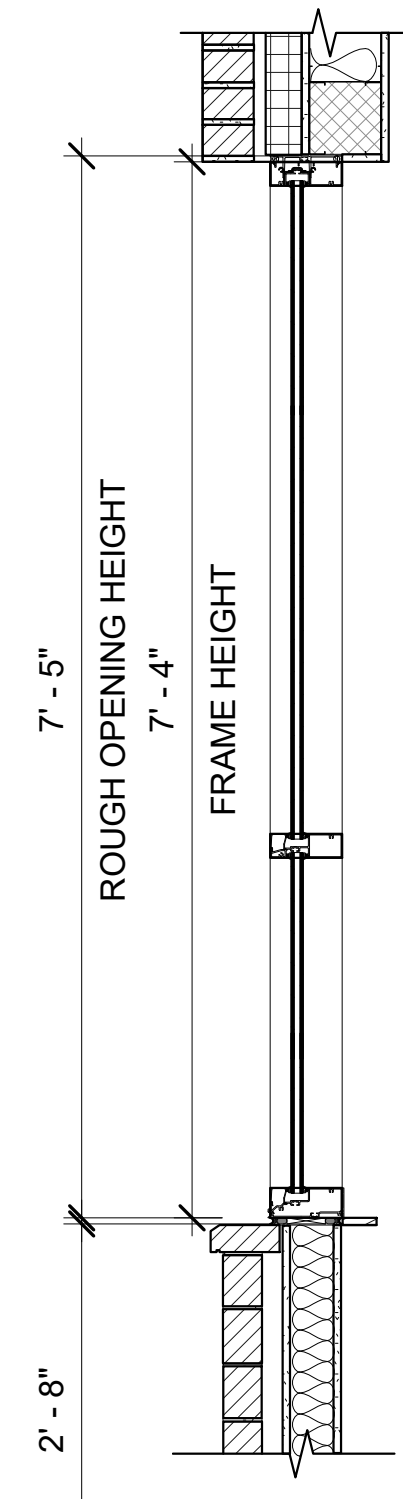
C EXTERIOR STOREFRONT SCHEDULE									
NAME	FRAME SIZE		FRAME FINISHES				FRAME SPECIFICATION		
	FRAME LENGTH	FRAME HEIGHT	MFR.	SERIES	PANEL MATERIAL	FINISHES	MULLION SIZE	GLAZING TYPE	COUNT
C	11' - 4"	7' - 4"	OBE	FG-6000	ALUMINIUM	CLASS 1- COLOR ANODIZED	2" x 6"	G01	10

CC EXTERIOR STOREFRONT SCHEDULE									
NAME	FRAME SIZE		FRAME FINISHES				FRAME SPECIFICATION		
	FRAME LENGTH	FRAME HEIGHT	MFR.	SERIES	PANEL MATERIAL	FINISHES	MULLION SIZE	GLAZING TYPE	COUNT
CC	11' - 4"	9' - 8"	OBE	FG-6000	ALUMINIUM	CLASS 1- COLOR ANODIZED	2" x 6"	G01,T	1

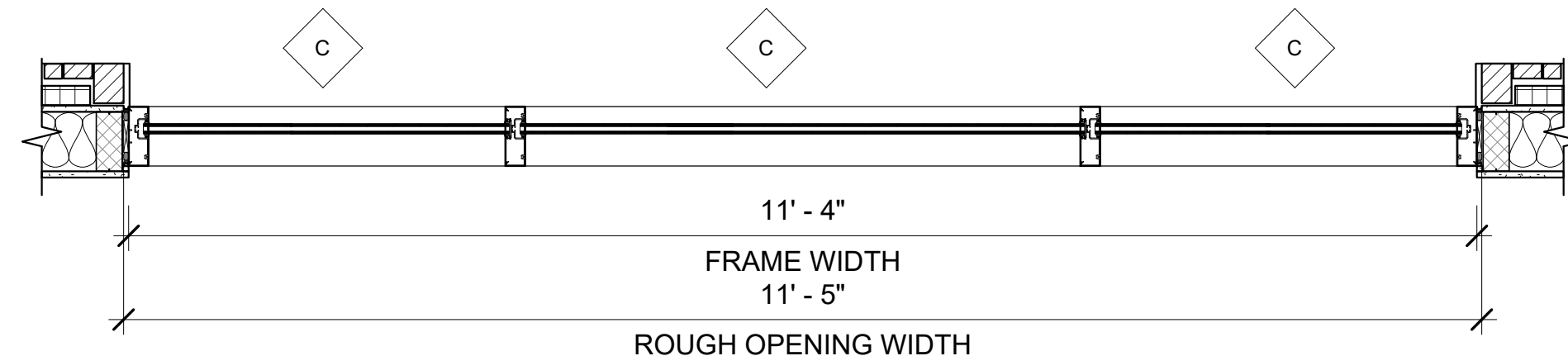
GLASS SPECIFICATIONS	
G01	1" INSULATED GLASS, LOW-E, TEMPERED SAFETY GLASS, GRAY TINTED
G02	1/4" CLEAR FLOAT GLASS
G03	1" INSULATED BLACK SPANDREL GLASS
T	SAFETY GLASS



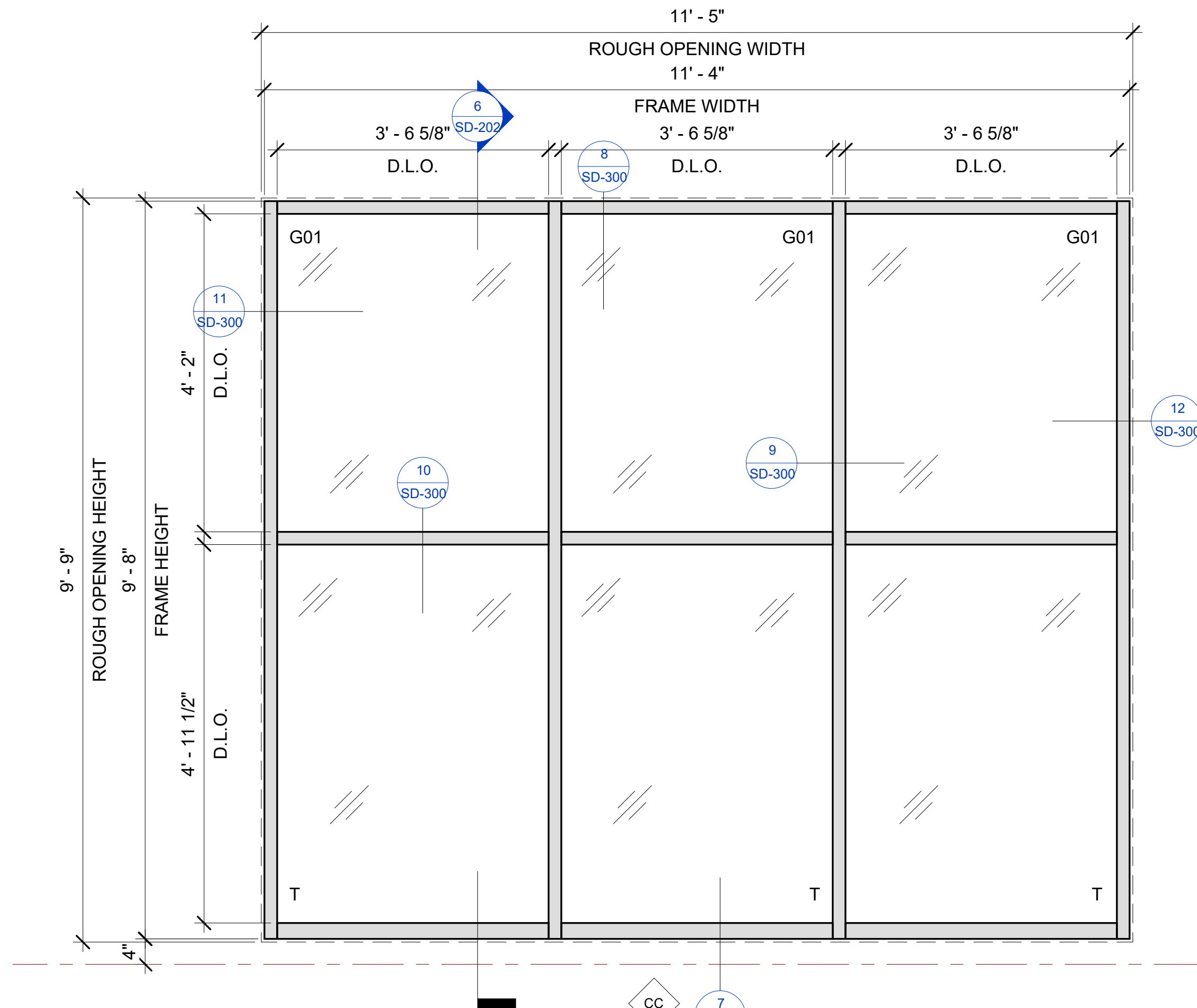
1 EXTERIOR STOREFRONT C
3/4" = 1'-0"



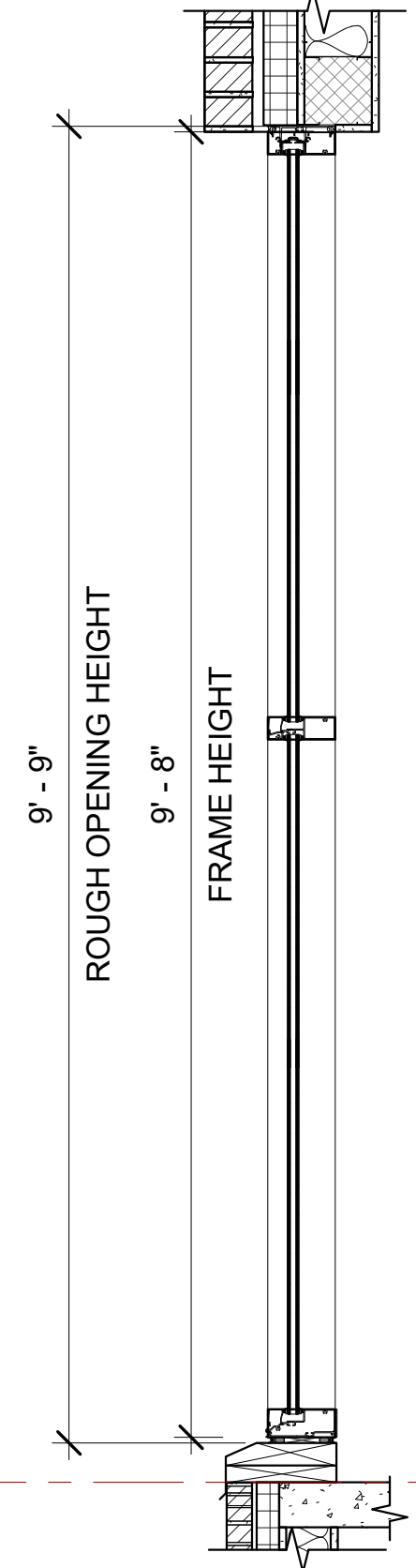
3 EXTERIOR STOREFRONT SECTION C
3/4" = 1'-0"



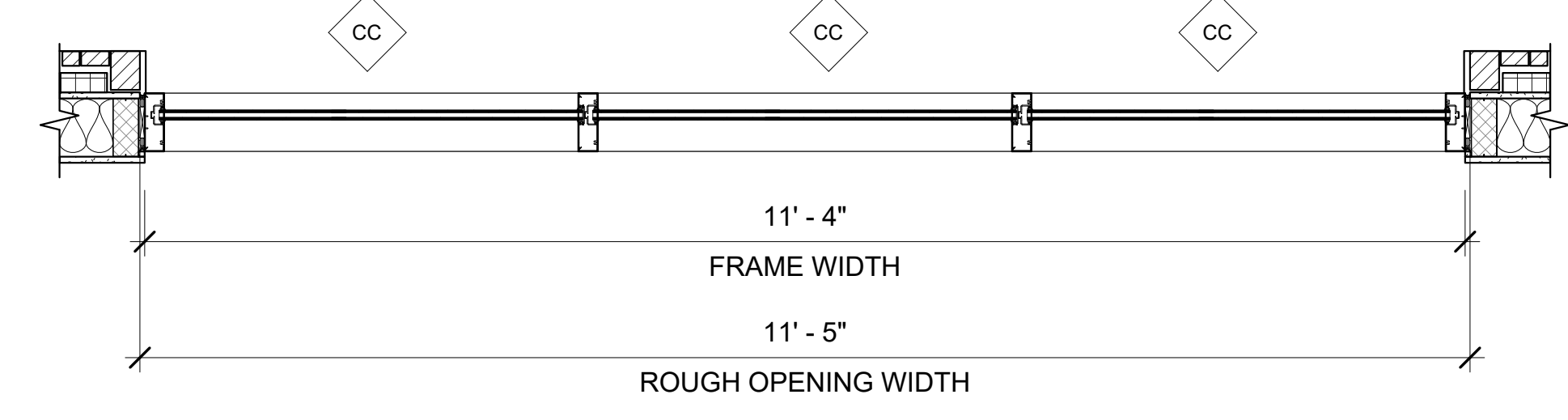
2 EXTERIOR STOREFRONT C PLAN VIEW
3/4" = 1'-0"



4 EXTERIOR STOREFRONT CC
3/4" = 1'-0"



6 EXTERIOR STOREFRONT SECTION CC
3/4" = 1'-0"



5 EXTERIOR STOREFRONT CC PLAN VIEW
3/4" = 1'-0"

BIM ARCHITECTS AND ENGINEERS
SIMSONA CORP.
 1451 Rockville Pike, Suite #250,
 Rockville, MD 20850
 Phone : 301-408-8553
 Email: raj@simsona.com
 www.simsonacadd.com

PROJECT NAME
DALLAS HARRIS ELEMENTARY SCHOOL
 3302 SOUTH BARNSIDE WAY

Revision Schedule		
Revision Number	Revision Description	Revision Date

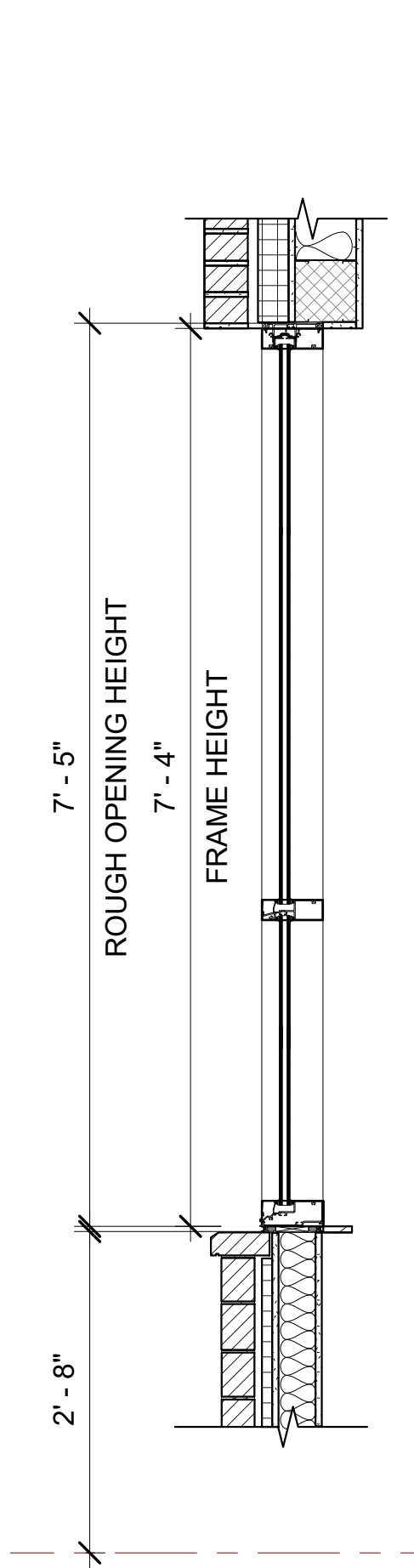
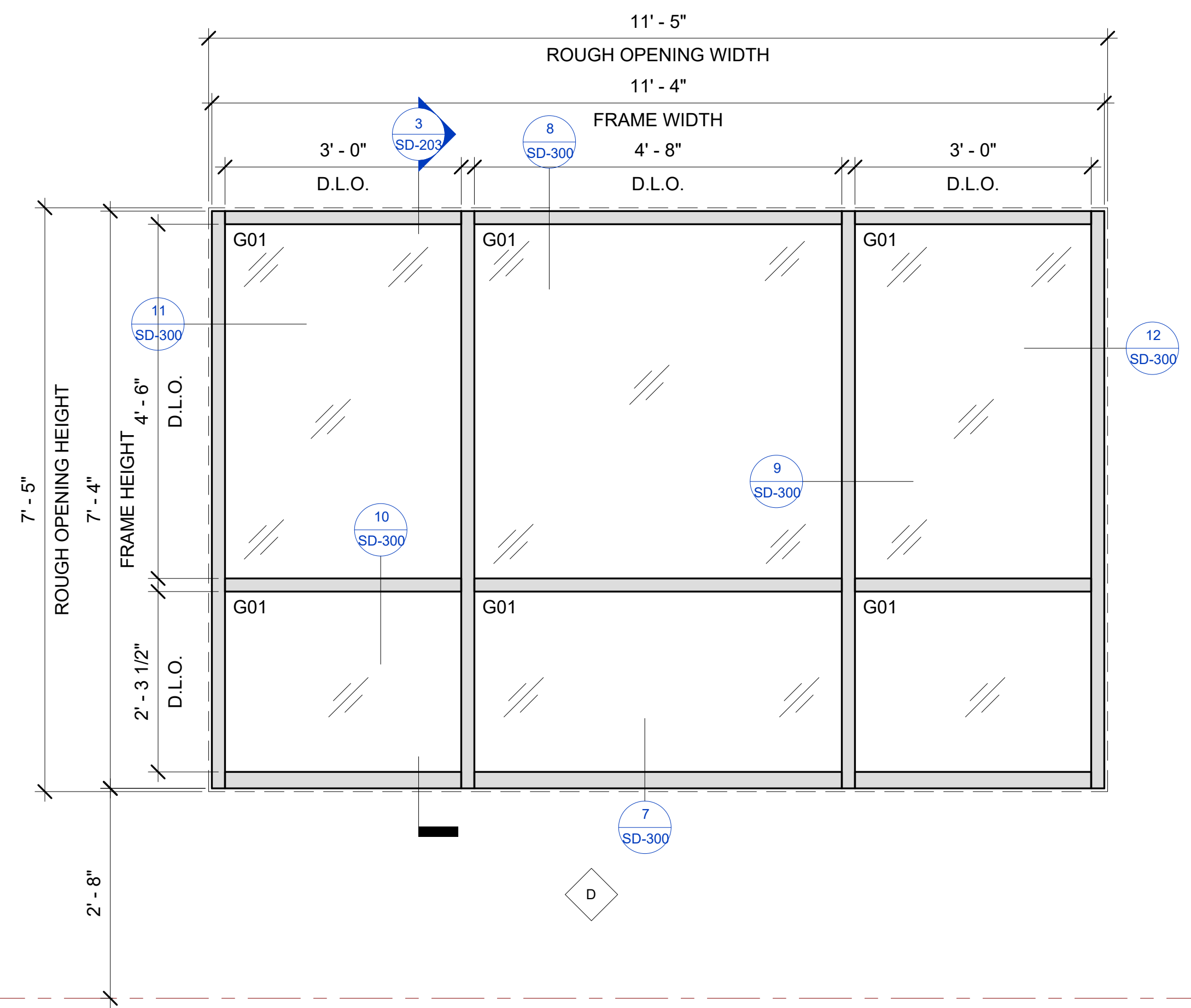
EXTERIOR STOREFRONT C, CC

PROJECT NUMBER	SIM-44	SD-202
DATE	06/23/2022	
Drawn by	AG,AY,SS	SCALE- 3/4" = 1'-0"
Checked by	AG,AY,SS,AP	

D EXTERIOR STOREFRONT SCHEDULE									
NAME	FRAME SIZE		FRAME FINISHES				FRAME SPECIFICATION		
	FRAME LENGTH	FRAME HEIGHT	MFR.	SERIES	PANEL MATERIAL	FINISHES	MULLION SIZE	GLAZING TYPE	COUNT
D	11' - 4"	7' - 4"	OBE	FG-6000	ALUMINIUM	CLASS 1- COLOR ANODIZED	2" x 6"	G01	2

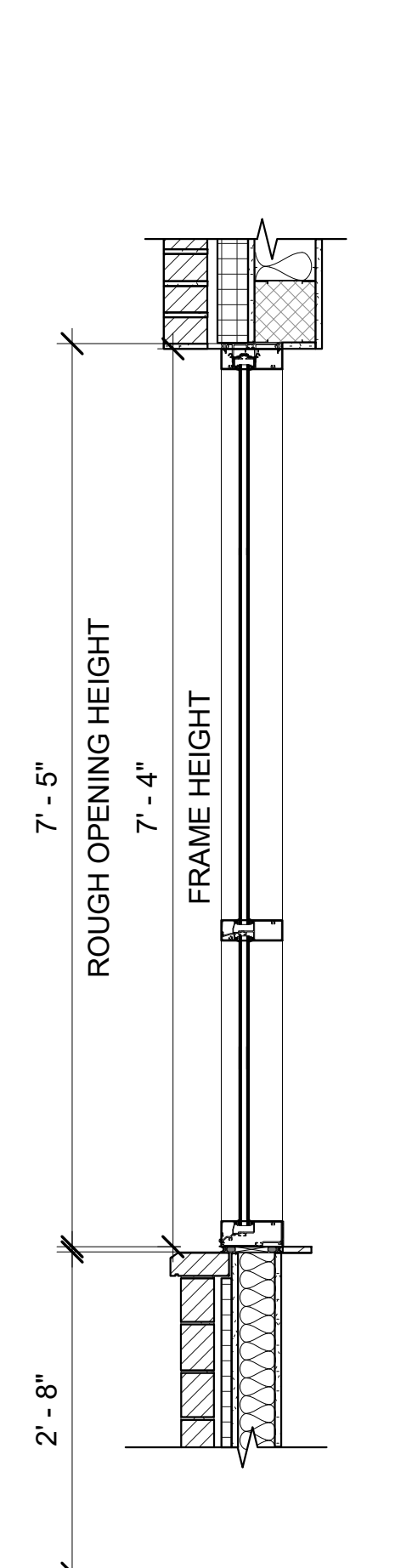
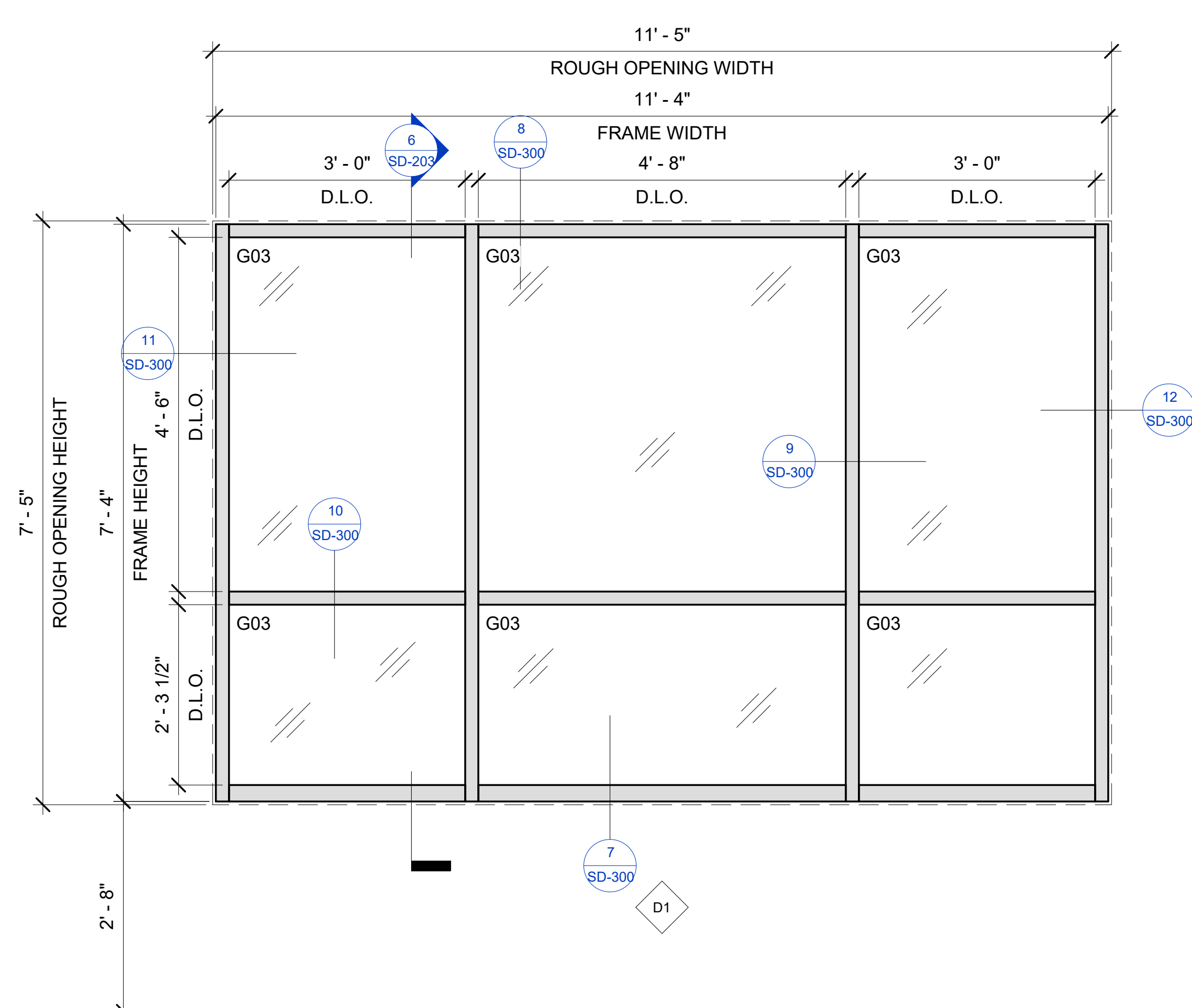
D1 EXTERIOR STOREFRONT SCHEDULE									
NAME	FRAME SIZE		FRAME FINISHES				FRAME SPECIFICATION		
	FRAME LENGTH	FRAME HEIGHT	MFR.	SERIES	PANEL MATERIAL	FINISHES	MULLION SIZE	GLAZING TYPE	COUNT
D1	11' - 4"	7' - 4"	OBE	FG-6000	ALUMINIUM	CLASS 1- COLOR ANODIZED	2" x 6"	G03	1

GLASS SPECIFICATIONS	
G01	1" INSULATED GLASS, LOW-E, TEMPERED SAFETY GLASS, GRAY TINTED
G02	1/4" CLEAR FLOAT GLASS
G03	1" INSULATED BLACK SPANDREL GLASS
T	SAFETY GLASS



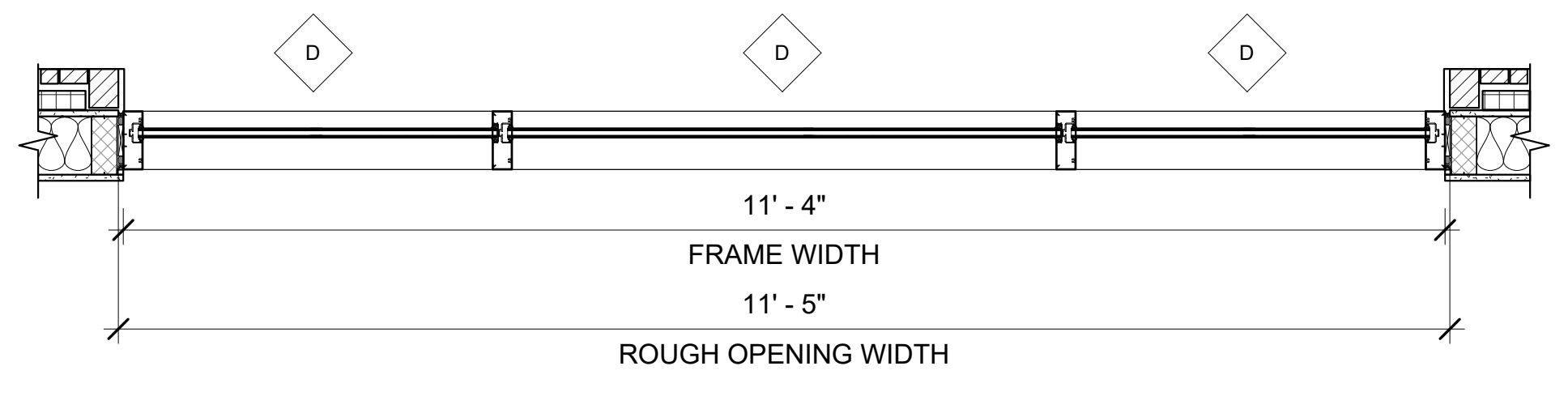
1 EXTERIOR STOREFRONT D
3/4" = 1'-0"

3 EXTERIOR STOREFRONT SECTION D
3/4" = 1'-0"

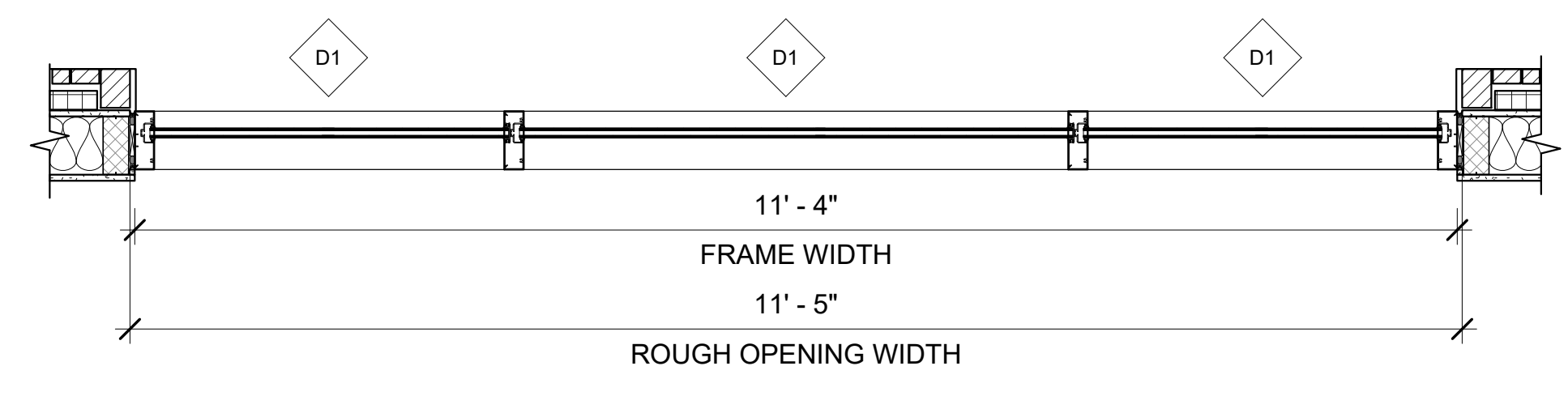


4 EXTERIOR STOREFRONT D1
3/4" = 1'-0"

6 EXTERIOR STOREFRONT SECTION D1
3/4" = 1'-0"



2 EXTERIOR STOREFRONT D PLAN VIEW
3/4" = 1'-0"



5 EXTERIOR STOREFRONT D1 PLAN VIEW
3/4" = 1'-0"

BIM ARCHITECTS AND ENGINEERS
SIMSONA CORP.
 1451 Rockville Pike, Suite #250,
 Rockville, MD 20850
 Phone : 301-408-8553
 Email: raj@simsona.com
 www.simsonacadd.com

PROJECT NAME
DALLAS HARRIS ELEMENTARY SCHOOL
 3302 SOUTH BARNSIDE WAY

Revision Schedule		
Revision Number	Revision Description	Revision Date

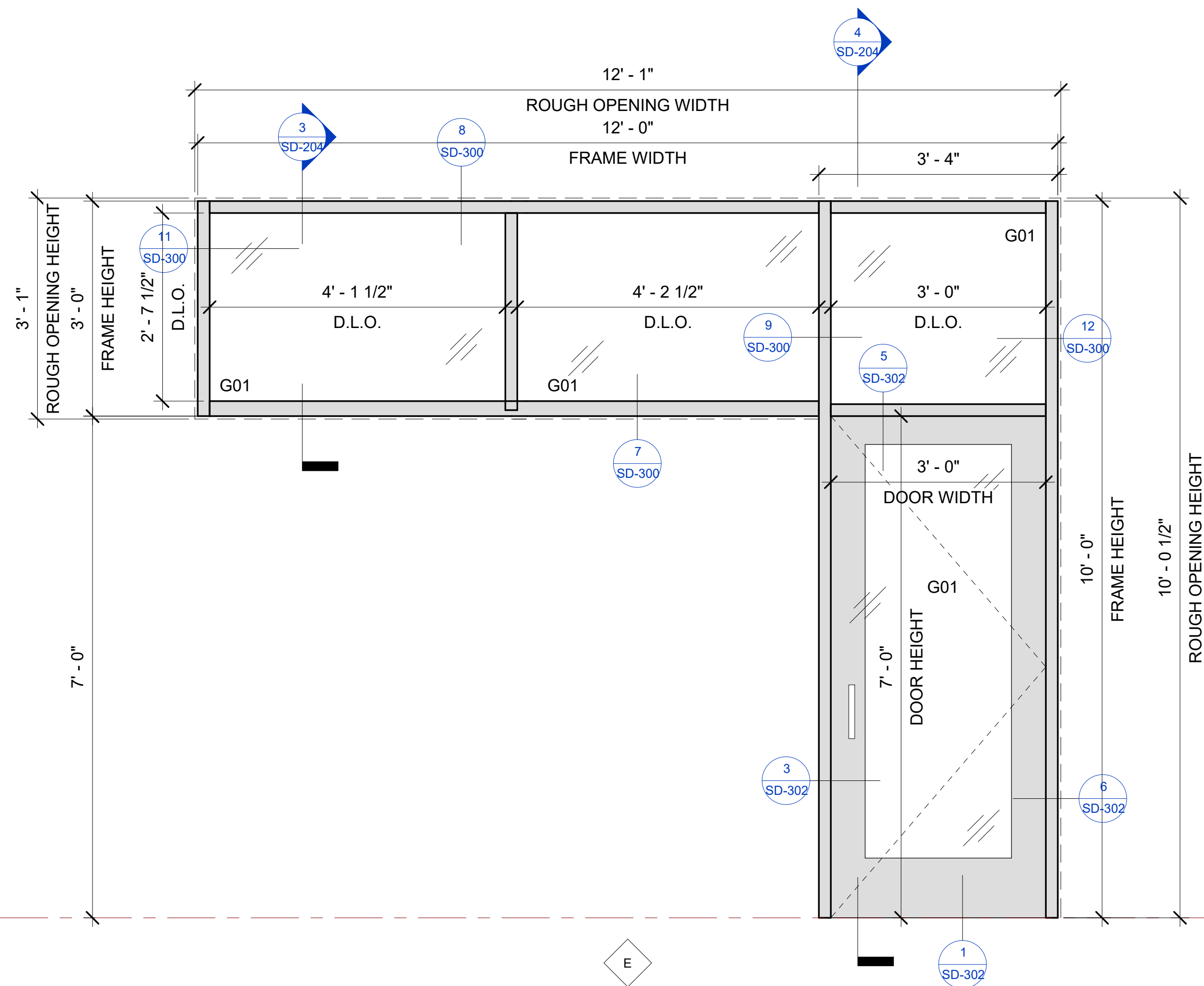
EXTERIOR STOREFRONT D,D1

PROJECT NUMBER	SIM-44	SD-203
DATE	06/23/2022	
Drawn by	AG,AY,SS	SCALE- 3/4" = 1'-0"
Checked by	AG,AY,SS,AP	

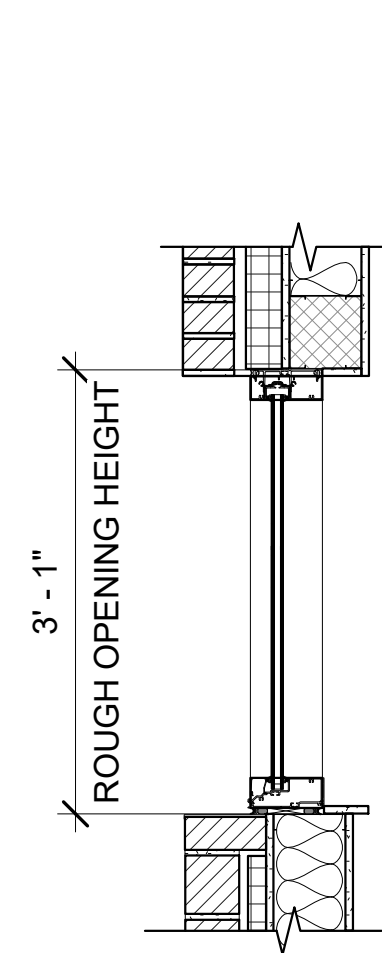
E EXTERIOR STOREFRONT SCHEDULE									
NAME	FRAME SIZE		FRAME FINISHES				FRAME SPECIFICATION		
	FRAME LENGTH	FRAME HEIGHT	MFR.	SERIES	PANEL MATERIAL	FINISHES	MULLION SIZE	GLAZING TYPE	COUNT
E	12' - 0"	10' - 0"	OBE	FG-6000	ALUMINIUM	CLASS 1- COLOR ANODIZED	2" x 6"	G01	1

F EXTERIOR STOREFRONT SCHEDULE									
NAME	FRAME SIZE		FRAME FINISHES				FRAME SPECIFICATION		
	FRAME LENGTH	FRAME HEIGHT	MFR.	SERIES	PANEL MATERIAL	FINISHES	MULLION SIZE	GLAZING TYPE	COUNT
F	11' - 4"	3' - 0"	OBE	FG-6000	ALUMINIUM	CLASS 1- COLOR ANODIZED	2" x 6"	G01	1

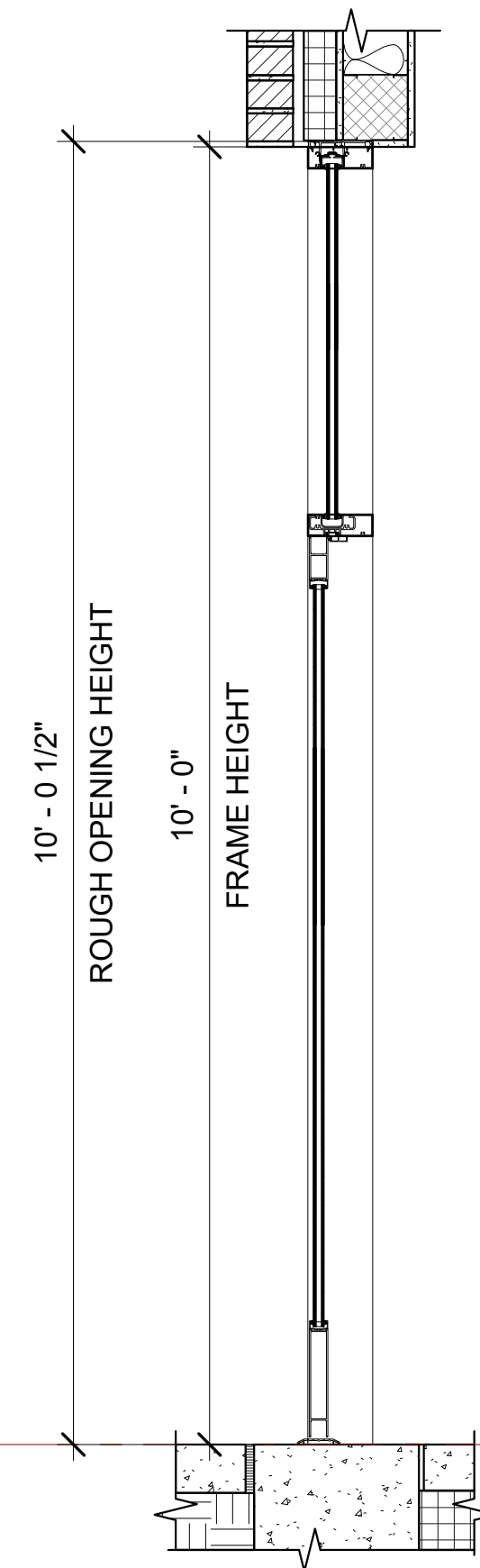
GLASS SPECIFICATIONS	
G01	1" INSULATED GLASS, LOW-E, TEMPERED SAFETY GLASS, GRAY TINTED
G02	1/4" CLEAR FLOAT GLASS
G03	1" INSULATED BLACK SPANDREL GLASS
T	SAFETY GLASS



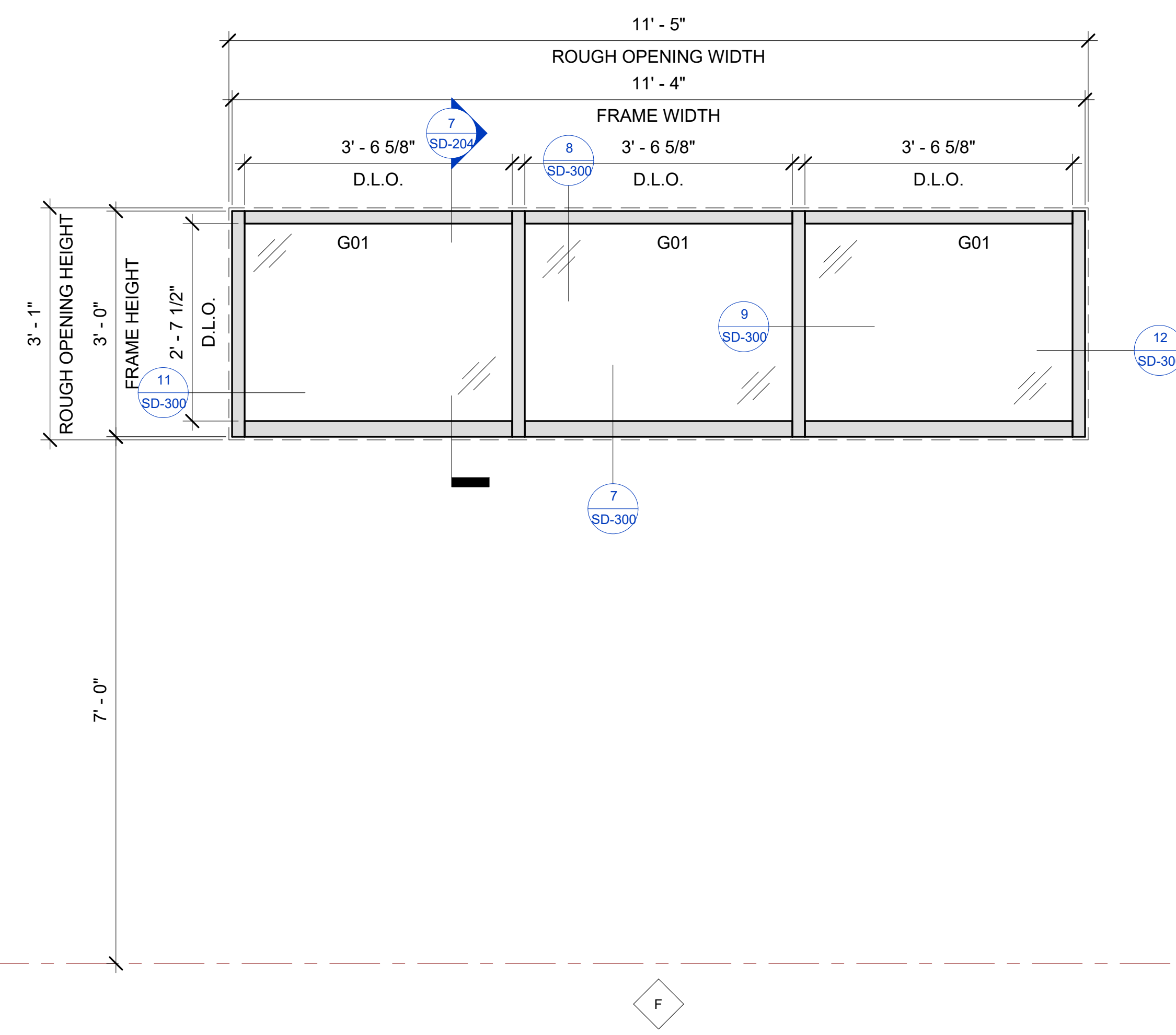
1 EXTERIOR STOREFRONT E
3/4" = 1'-0"



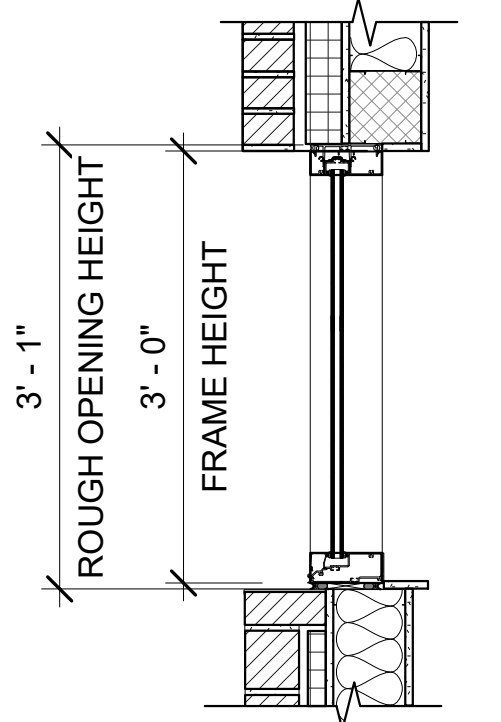
3 EXTERIOR STOREFRONT SECTION E
TYPE A
3/4" = 1'-0"



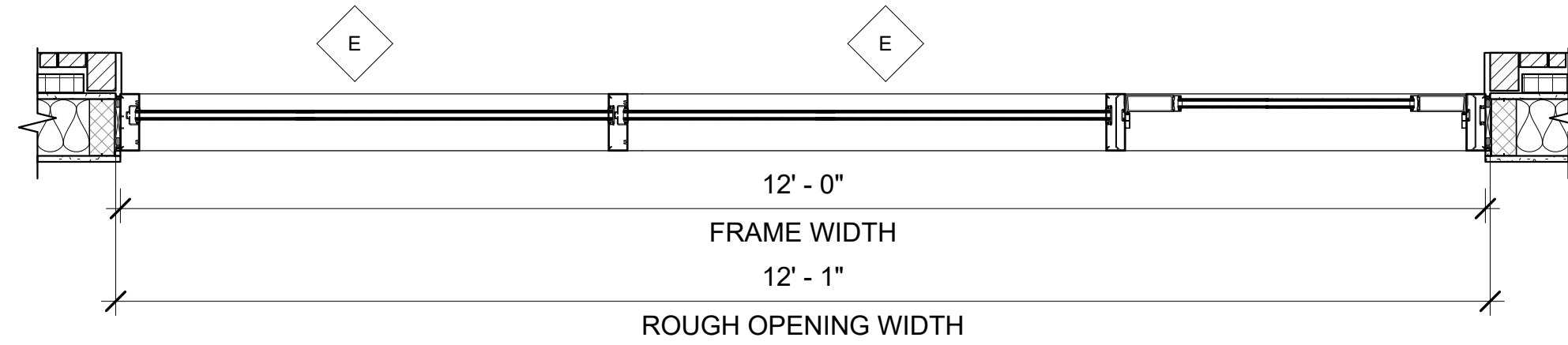
4 EXTERIOR STOREFRONT SECTION E
TYPE B
3/4" = 1'-0"



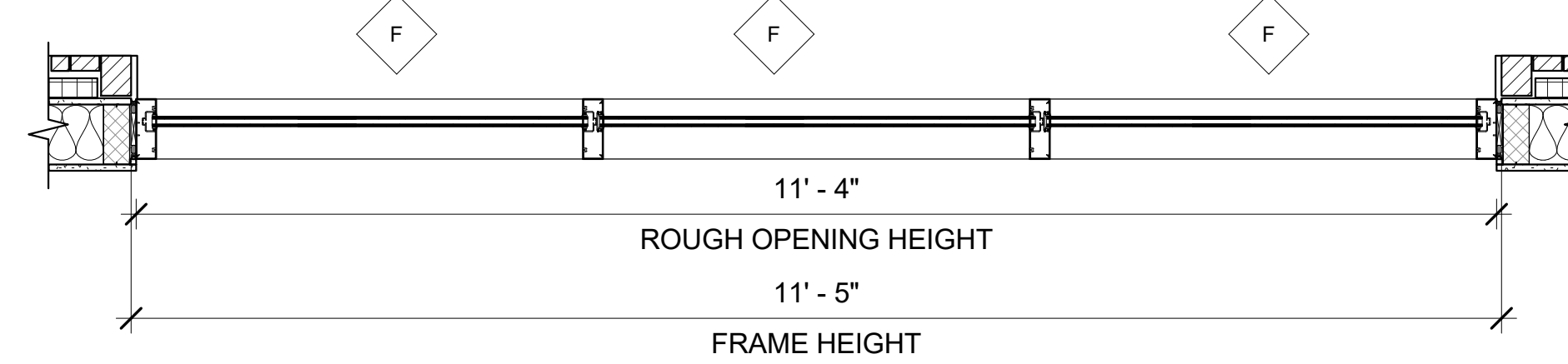
5 EXTERIOR STOREFRONT F
3/4" = 1'-0"



7 EXTERIOR STOREFRONT SECTION F
3/4" = 1'-0"



2 EXTERIOR STOREFRONT E PLAN VIEW
3/4" = 1'-0"



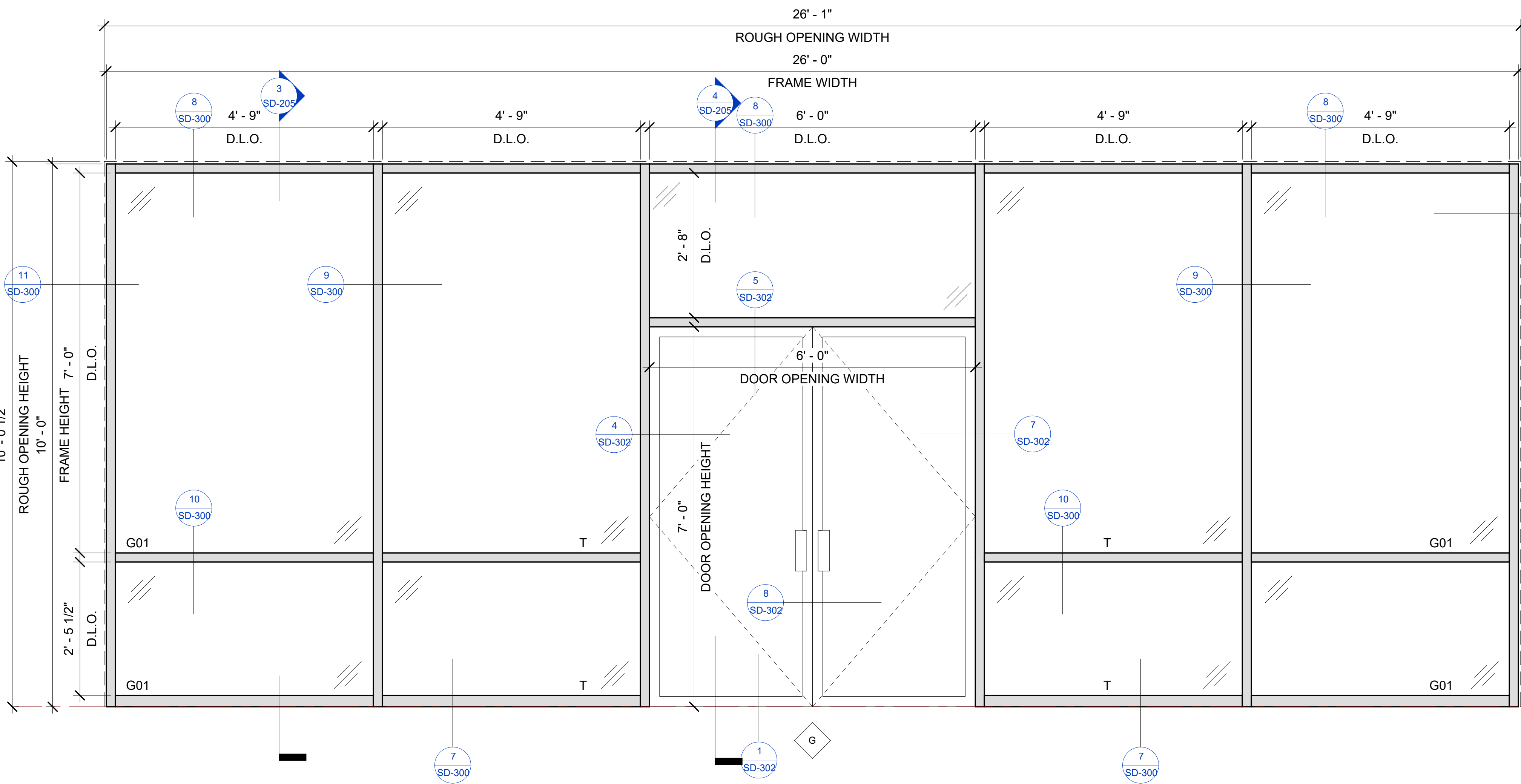
6 EXTERIOR STOREFRONT F PLAN VIEW
3/4" = 1'-0"

Revision Schedule		
Revision Number	Revision Description	Revision Date

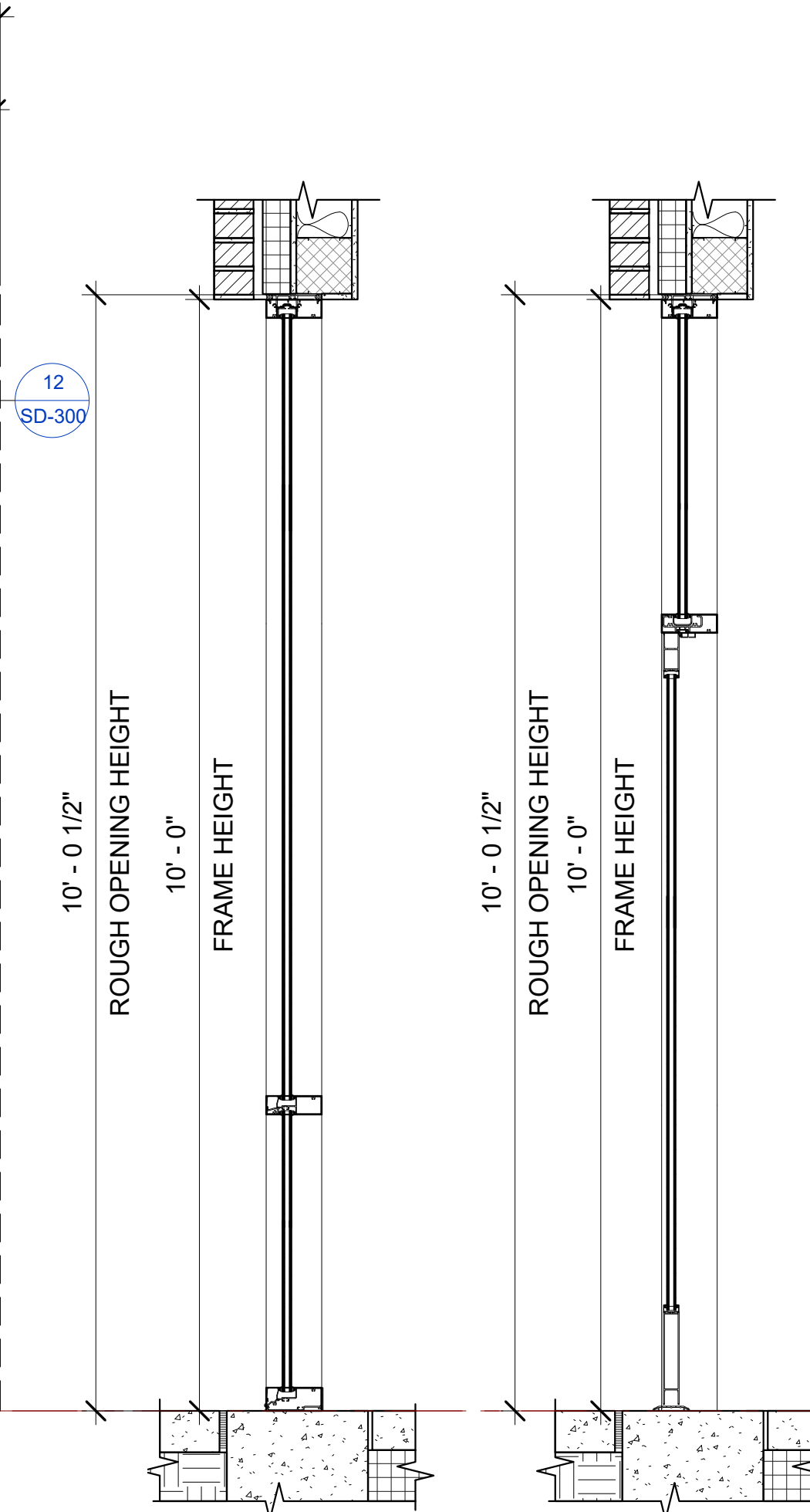
G EXTERIOR STOREFRONT SCHEDULE									
NAME	FRAME SIZE		FRAME FINISHES				FRAME SPECIFICATION		
	FRAME LENGTH	FRAME HEIGHT	MFR.	SERIES	PANEL MATERIAL	FINISHES	MULLION SIZE	GLAZING TYPE	COUNT
G	26' - 0"	10' - 0"	OBE	FG-6000	ALUMINIUM	CLASS 1-COLOR ANODIZED	2" x 6"	G01,T	1

J EXTERIOR STOREFRONT SCHEDULE									
NAME	FRAME SIZE		FRAME FINISHES				FRAME SPECIFICATION		
	FRAME LENGTH	FRAME HEIGHT	MFR.	SERIES	PANEL MATERIAL	FINISHES	MULLION SIZE	GLAZING TYPE	COUNT
J	7' - 4"	10' - 0"	OBE	FG-6000	ALUMINIUM	CLASS 1-COLOR ANODIZED	2" x 6"	G01	1

GLASS SPECIFICATIONS	
G01	1" INSULATED GLASS, LOW-E, TEMPERED SAFETY GLASS, GRAY TINTED
G02	1/4" CLEAR FLOAT GLASS
G03	1" INSULATED BLACK SPANDREL GLASS
T	SAFETY GLASS

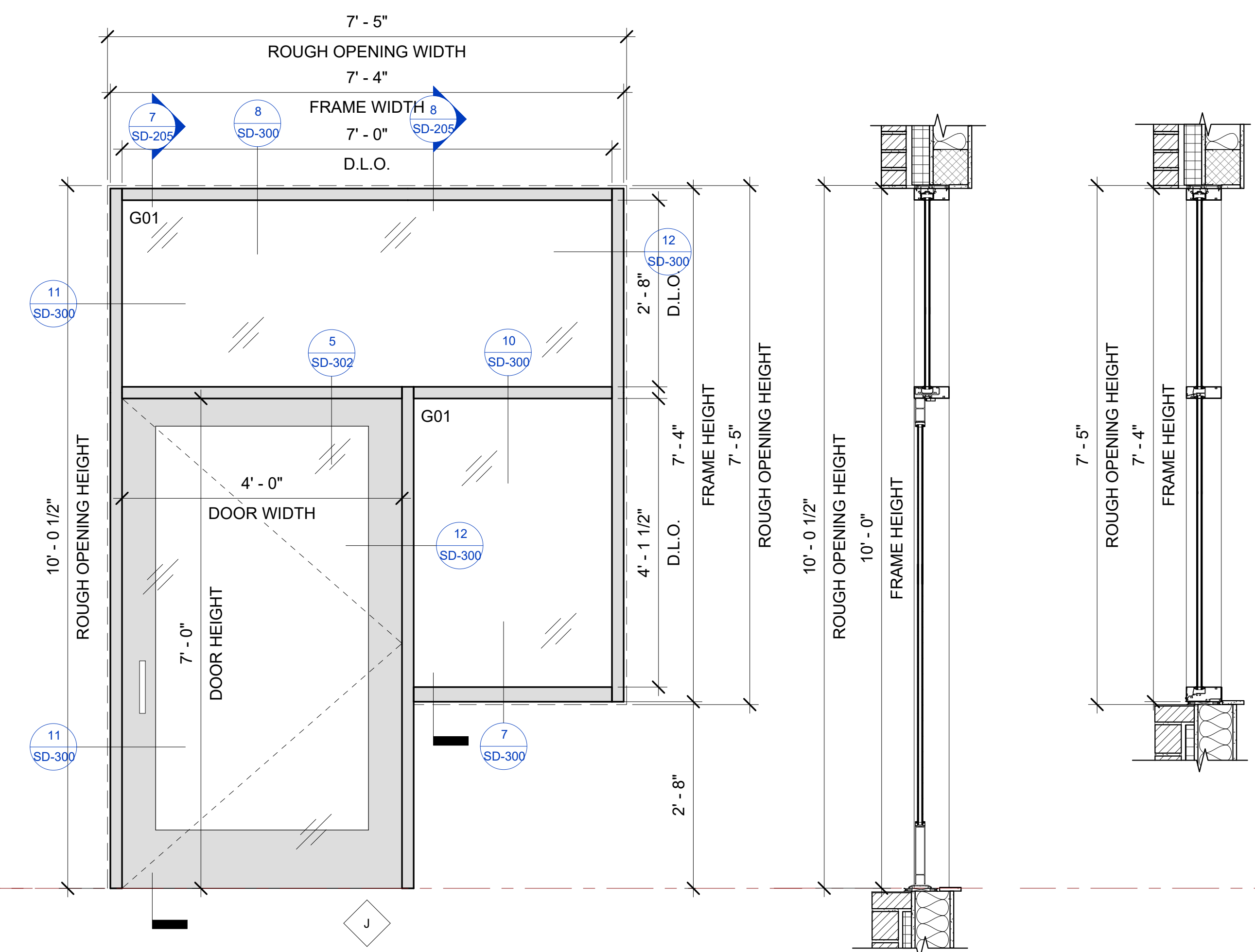


1 EXTERIOR STOREFRONT G
3/4" = 1'-0"



3 EXTERIOR STOREFRONT SECTION G TYPE A
3/4" = 1'-0"

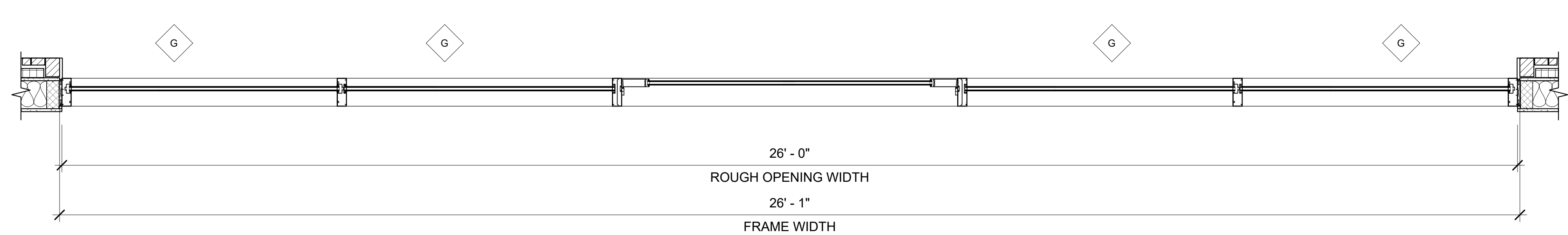
4 EXTERIOR STOREFRONT SECTION G TYPE B
3/4" = 1'-0"



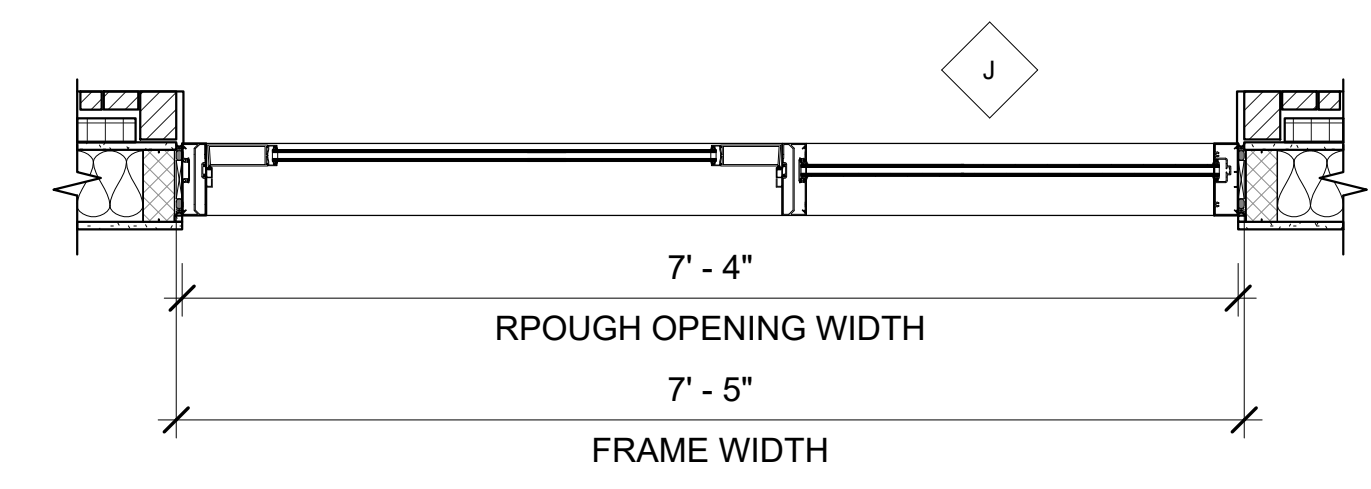
5 EXTERIOR STOREFRONT J
3/4" = 1'-0"

7 EXTERIOR STOREFRONT SECTION J TYPE A
3/4" = 1'-0"

8 EXTERIOR STOREFRONT SECTION J TYPE B
3/4" = 1'-0"



2 EXTERIOR STOREFRONT G PLAN VIEW
3/4" = 1'-0"



6 EXTERIOR STOREFRONT J PLAN VIEW
3/4" = 1'-0"

BIM ARCHITECTS AND ENGINEERS
SIMSONA CORP.
 1451 Rockville Pike, Suite #250,
 Rockville, MD 20850
 Phone : 301-408-8553
 Email: raj@simsona.com
 www.simsonacadd.com

PROJECT NAME
DALLAS HARRIS ELEMENTARY SCHOOL
 3302 SOUTH BARNESIDE WAY

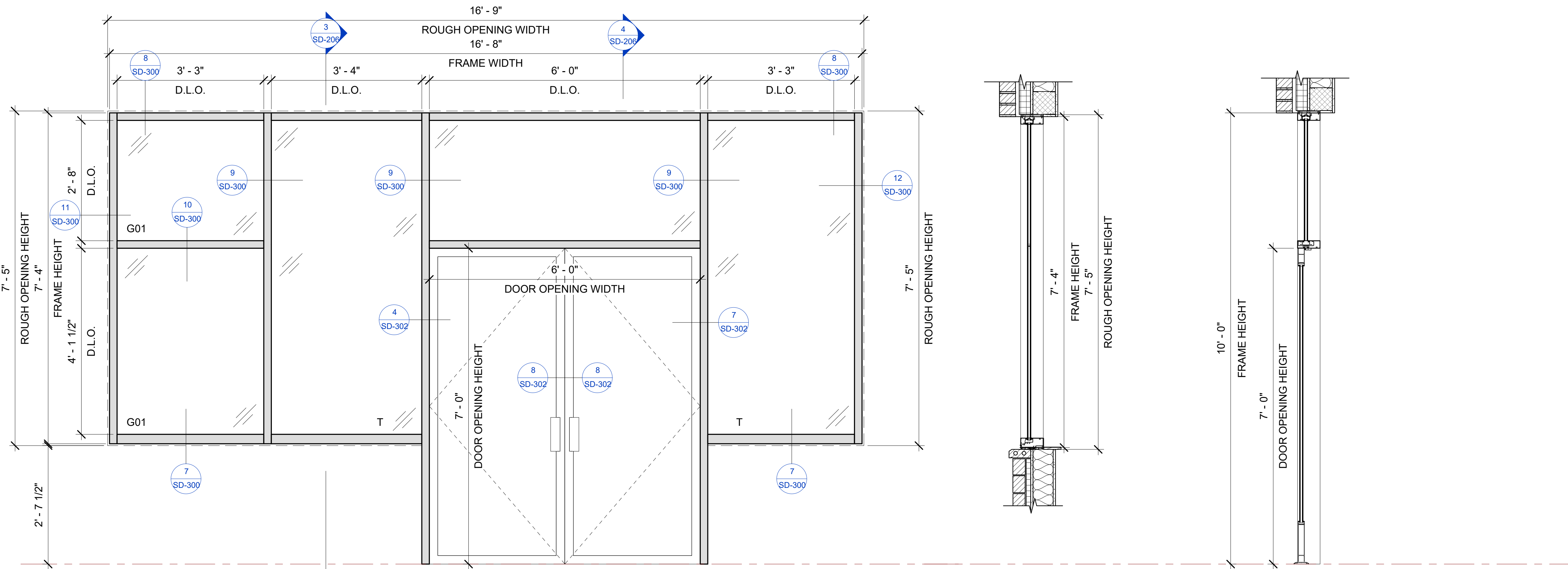
Revision Schedule		
Revision Number	Revision Description	Revision Date

EXTERIOR STOREFRONT G, J		
PROJECT NUMBER	SIM-44	SD-205
DATE	06/23/2022	
Drawn by	AG,AY,SS	SCALE- 3/4" = 1'-0"
Checked by	AG,AY,SS,AP	

K EXTERIOR STOREFRONT SCHEDULE									
NAME	FRAME SIZE		FRAME FINISHES				FRAME SPECIFICATION		
	FRAME LENGTH	FRAME HEIGHT	MFR.	SERIES	PANEL MATERIAL	FINISHES	MULLION SIZE	GLAZING TYPE	COUNT
K	16' - 8"	7' - 4"	OBE	FG-6000	ALUMINIUM	CLASS 1- COLOR ANODIZED	2" x 6"	G01,T	1

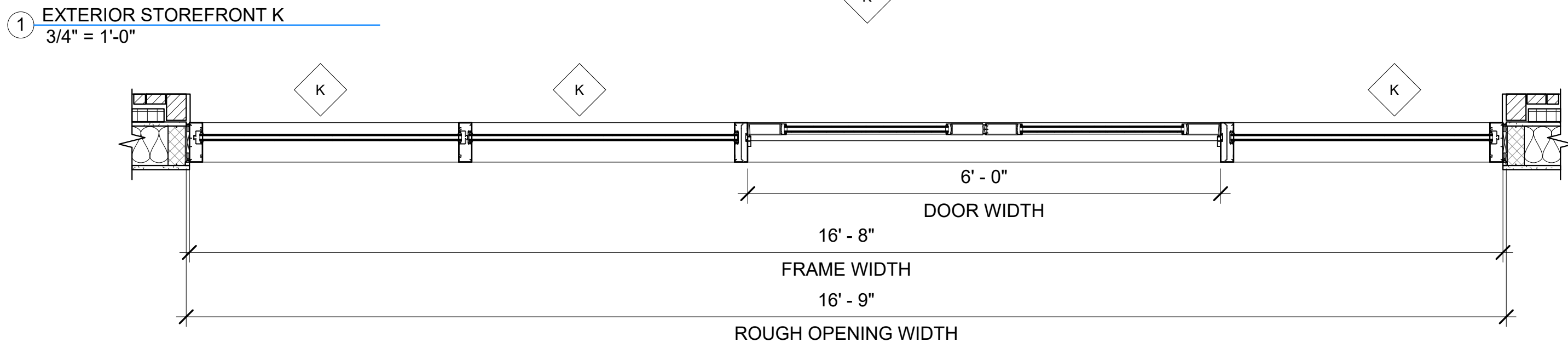
L EXTERIOR STOREFRONT SCHEDULE									
NAME	FRAME SIZE		FRAME FINISHES				FRAME SPECIFICATION		
	FRAME LENGTH	FRAME HEIGHT	MFR.	SERIES	PANEL MATERIAL	FINISHES	MULLION SIZE	GLAZING TYPE	COUNT
L	28' - 0"	7' - 4"	OBE	FG-6000	ALUMINIUM	CLASS 1- COLOR ANODIZED	2" x 6"	G01	1

GLASS SPECIFICATIONS	
G01	1" INSULATED GLASS, LOW-E, TEMPERED SAFETY GLASS, GRAY TINTED
G02	1/4" CLEAR FLOAT GLASS
G03	1" INSULATED BLACK SPANDREL GLASS
T	SAFETY GLASS

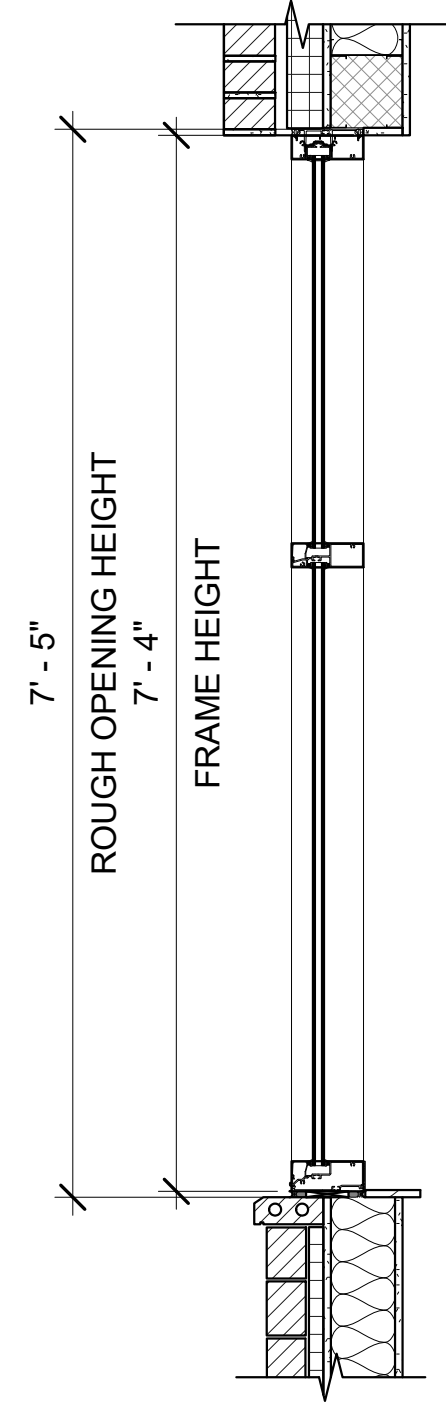
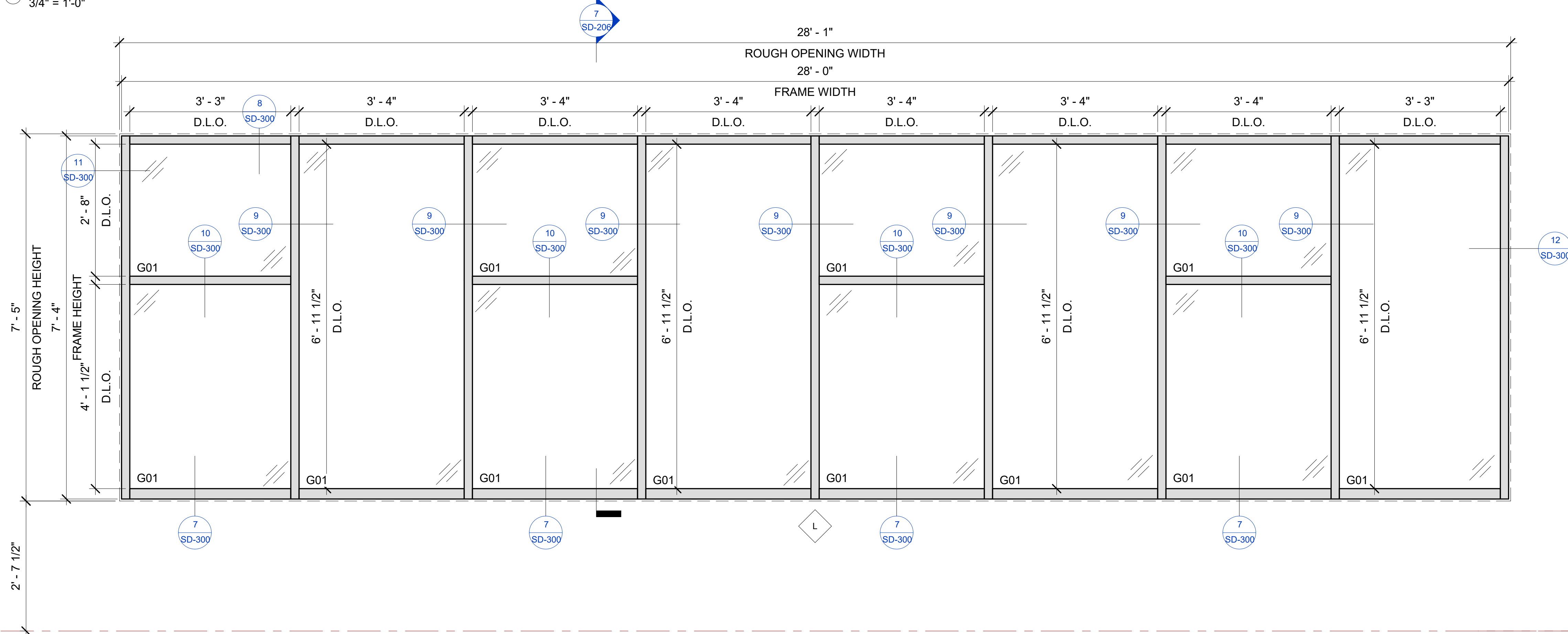


EXTERIOR STOREFRONT SECTION K SECTION A
3/4" = 1'-0"

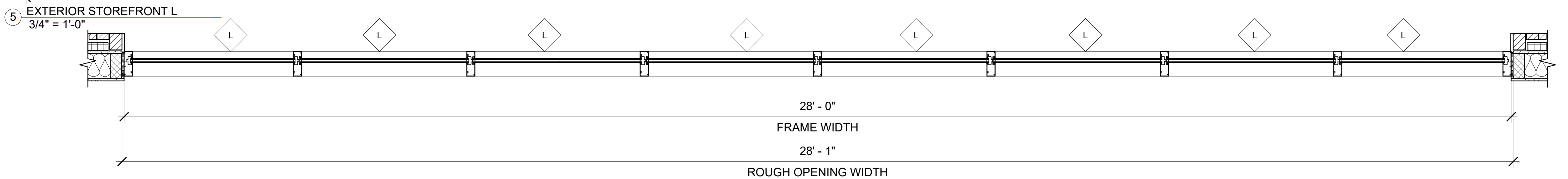
EXTERIOR STOREFRONT SECTION K SECTION B
3/4" = 1'-0"



EXTERIOR STOREFRONT K PLAN VIEW
3/4" = 1'-0"



EXTERIOR STOREFRONT SECTION L SECTION A
3/4" = 1'-0"



EXTERIOR STOREFRONT L PLAN VIEW
3/4" = 1'-0"

BIM ARCHITECTS AND ENGINEERS
SIMSONA CORP.
 1451 Rockville Pike, Suite #250,
 Rockville, MD 20850
 Phone : 301-408-8553
 Email: raj@simsona.com
 www.simsonacadd.com

PROJECT NAME
DALLAS HARRIS ELEMENTARY SCHOOL
3302 SOUTH BARNESIDE WAY

Revision Schedule		
Revision Number	Revision Description	Revision Date

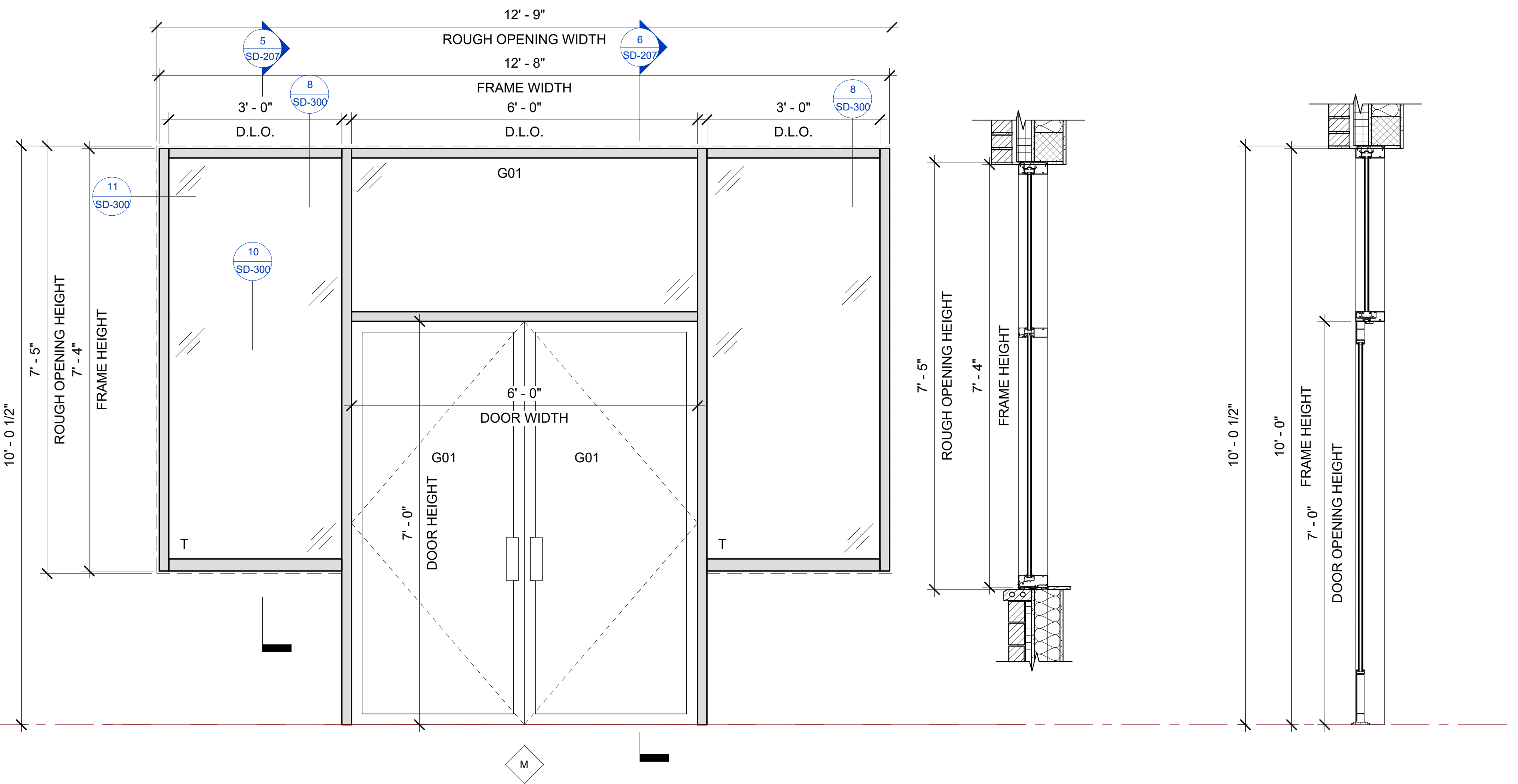
EXTERIOR STOREFRONT K, L		
PROJECT NUMBER	SIM-44	SD-206
DATE	06/23/2022	
Drawn by	AG,AY,SS	SCALE- 3/4" = 1'-0"
Checked by	AG,AY,SS,AP	

PLOT CREATED: 06/23/2022

M EXTERIOR STOREFRONT SCHEDULE									
NAME	FRAME SIZE		FRAME FINISHES				FRAME SPECIFICATION		
	FRAME LENGTH	FRAME HEIGHT	MFR.	SERIES	PANEL MATERIAL	FINISHES	MULLION SIZE	GLAZING TYPE	COUNT
M	12' - 8"	7' - 4"	OBE	FG-6000	ALUMINIUM	CLASS 1- COLOR ANODIZED	2" x 6"	G01,T	1

N EXTERIOR STOREFRONT SCHEDULE									
NAME	FRAME SIZE		FRAME FINISHES				FRAME SPECIFICATION		
	FRAME LENGTH	FRAME HEIGHT	MFR.	SERIES	PANEL MATERIAL	FINISHES	MULLION SIZE	GLAZING TYPE	COUNT
N	12' - 0"	7' - 4"	OBE	FG-6000	ALUMINIUM	CLASS 1- COLOR ANODIZED	2" x 6"	G01	4

GLASS SPECIFICATIONS	
G01	1" INSULATED GLASS, LOW-E, TEMPERED SAFETY GLASS, GRAY TINTED
G02	1/4" CLEAR FLOAT GLASS
G03	1" INSULATED BLACK SPANDREL GLASS
T	SAFETY GLASS



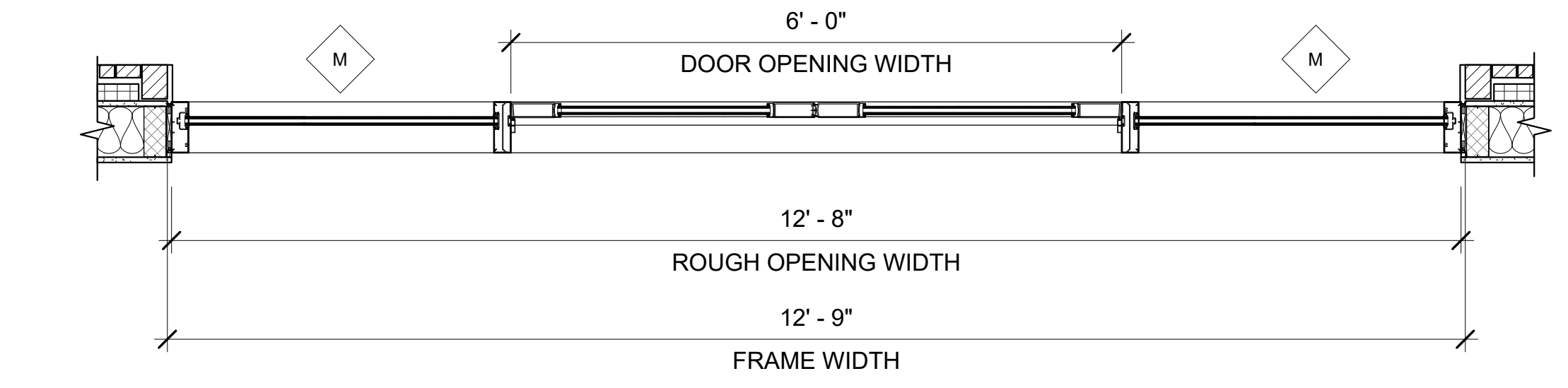
1 EXTERIOR STOREFRONT M
3/4" = 1'-0"

5 EXTERIOR STOREFRONT SECTION M
SECTION A
3/4" = 1'-0"

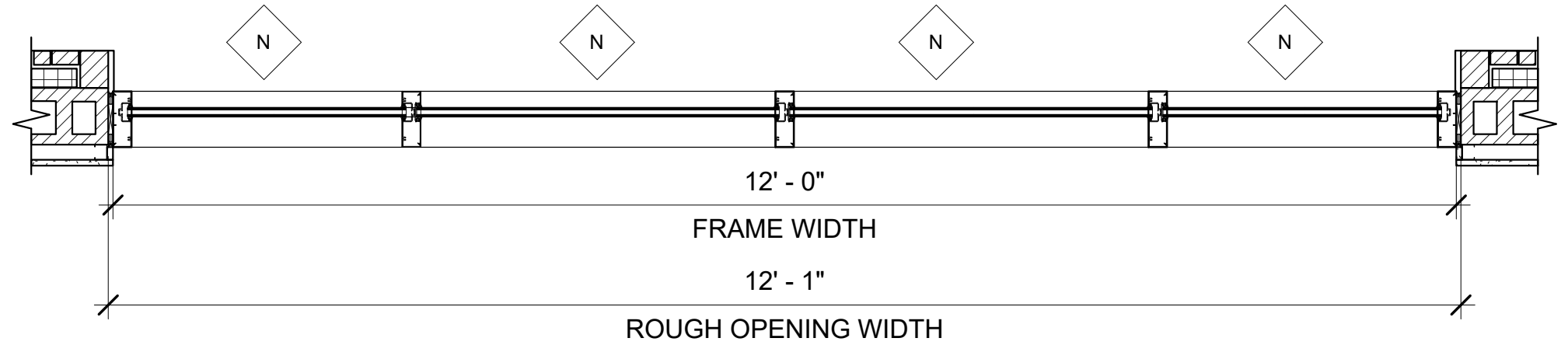
6 EXTERIOR STOREFRONT SECTION M
SECTION B
3/4" = 1'-0"

2 EXTERIOR STOREFRONT N
3/4" = 1'-0"

7 EXTERIOR STOREFRONT SECTION N
SECTION A
3/4" = 1'-0"



3 EXTERIOR STOREFRONT M PLAN VIEW
3/4" = 1'-0"



4 EXTERIOR STOREFRONT N PLAN VIEW
3/4" = 1'-0"

BIM ARCHITECTS AND ENGINEERS
SIMSONA CORP.
 1451 Rockville Pike, Suite #250,
 Rockville, MD 20850
 Phone : 301-408-8553
 Email: raj@simsona.com
 www.simsonacadd.com

PROJECT NAME
DALLAS HARRIS ELEMENTARY SCHOOL
 3302 SOUTH BARNSIDE WAY

Revision Schedule		
Revision Number	Revision Description	Revision Date

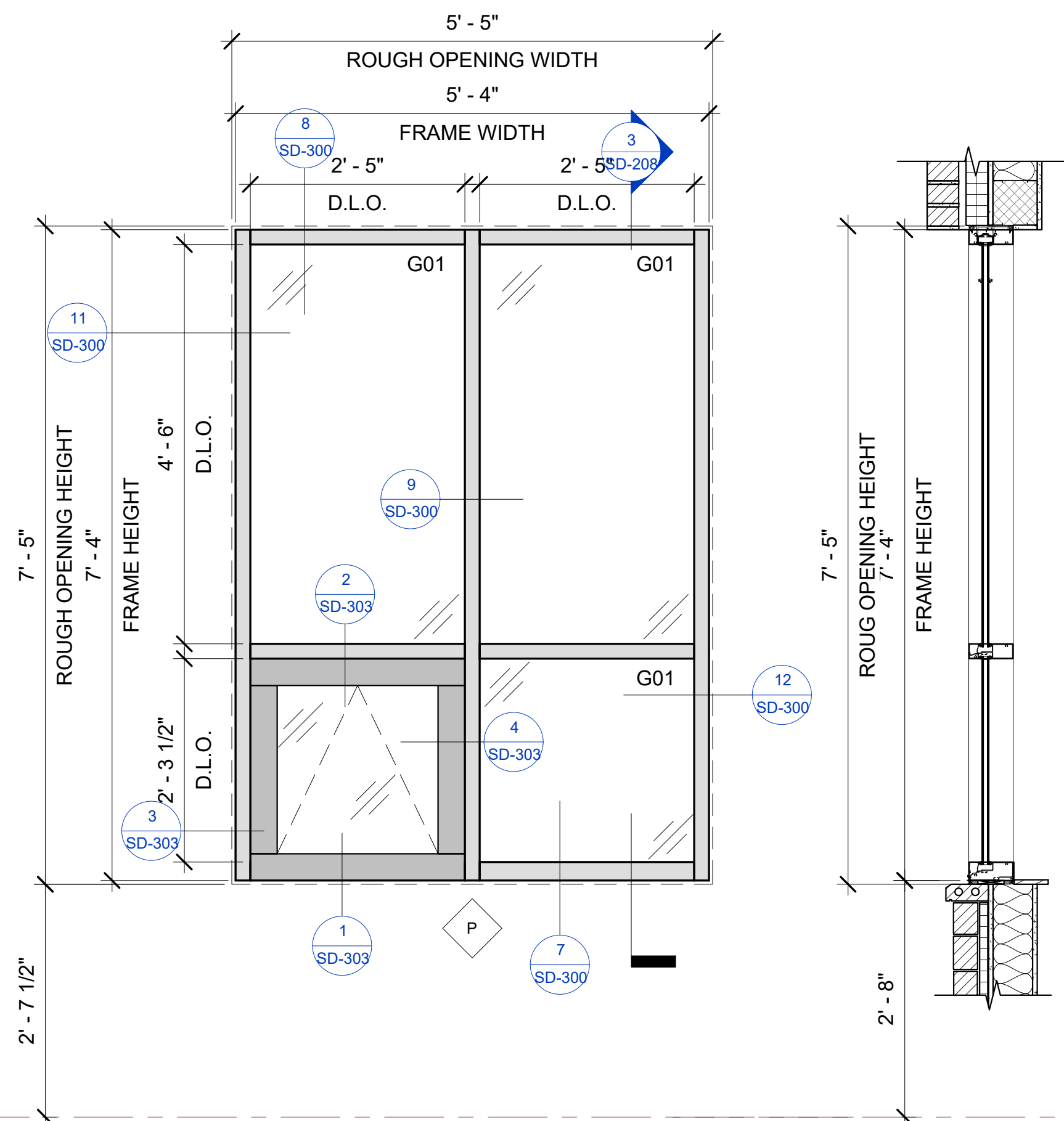
EXTERIOR STOREFRONT M, N	
PROJECT NUMBER SIM-44	SD-207
DATE 06/23/2022	
Drawn by AG,AY,SS	SCALE- 3/4" = 1'-0"
Checked by AG,AY,SS,AP	

PLOT CREATED: 06/23/2022

P EXTERIOR STOREFRONT SCHEDULE									
NAME	FRAME SIZE		FRAME FINISHES				FRAME SPECIFICATION		
	FRAME LENGTH	FRAME HEIGHT	MFR.	SERIES	PANEL MATERIAL	FINISHES	MULLION SIZE	GLAZING TYPE	COUNT
P	5' - 4"	7' - 4"	OBE	FG-6000	ALUMINIUM	CLASS 1-COLOR ANODIZED	2" x 6"	G01	3

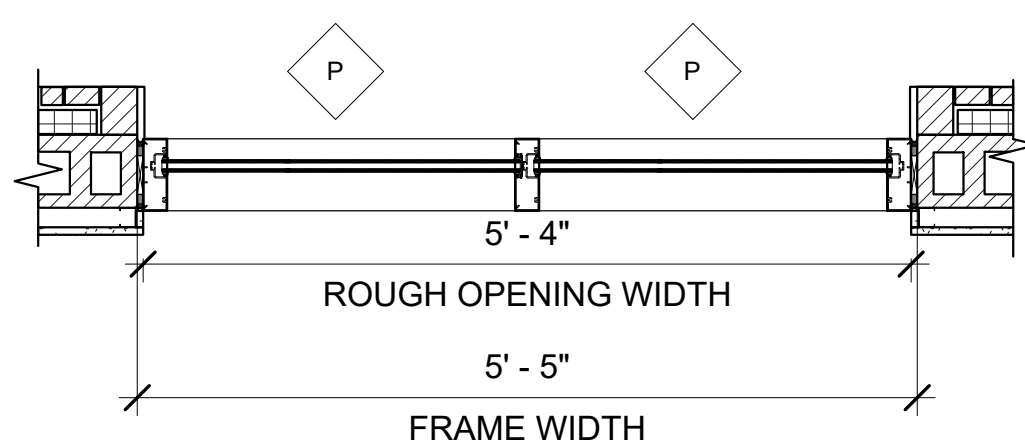
Q EXTERIOR STOREFRONT SCHEDULE									
NAME	FRAME SIZE		FRAME FINISHES				FRAME SPECIFICATION		
	FRAME LENGTH	FRAME HEIGHT	MFR.	SERIES	PANEL MATERIAL	FINISHES	MULLION SIZE	GLAZING TYPE	COUNT
Q	10' - 8"	11' - 9"	OBE	FG-6000	ALUMINIUM	CLASS 1-COLOR ANODIZED	2" x 6"	G01,T	1

GLASS SPECIFICATIONS	
G01	1" INSULATED GLASS, LOW-E, TEMPERED SAFETY GLASS, GRAY TINTED
G02	1/4" CLEAR FLOAT GLASS
G03	1" INSULATED BLACK SPANDREL GLASS
T	SAFETY GLASS

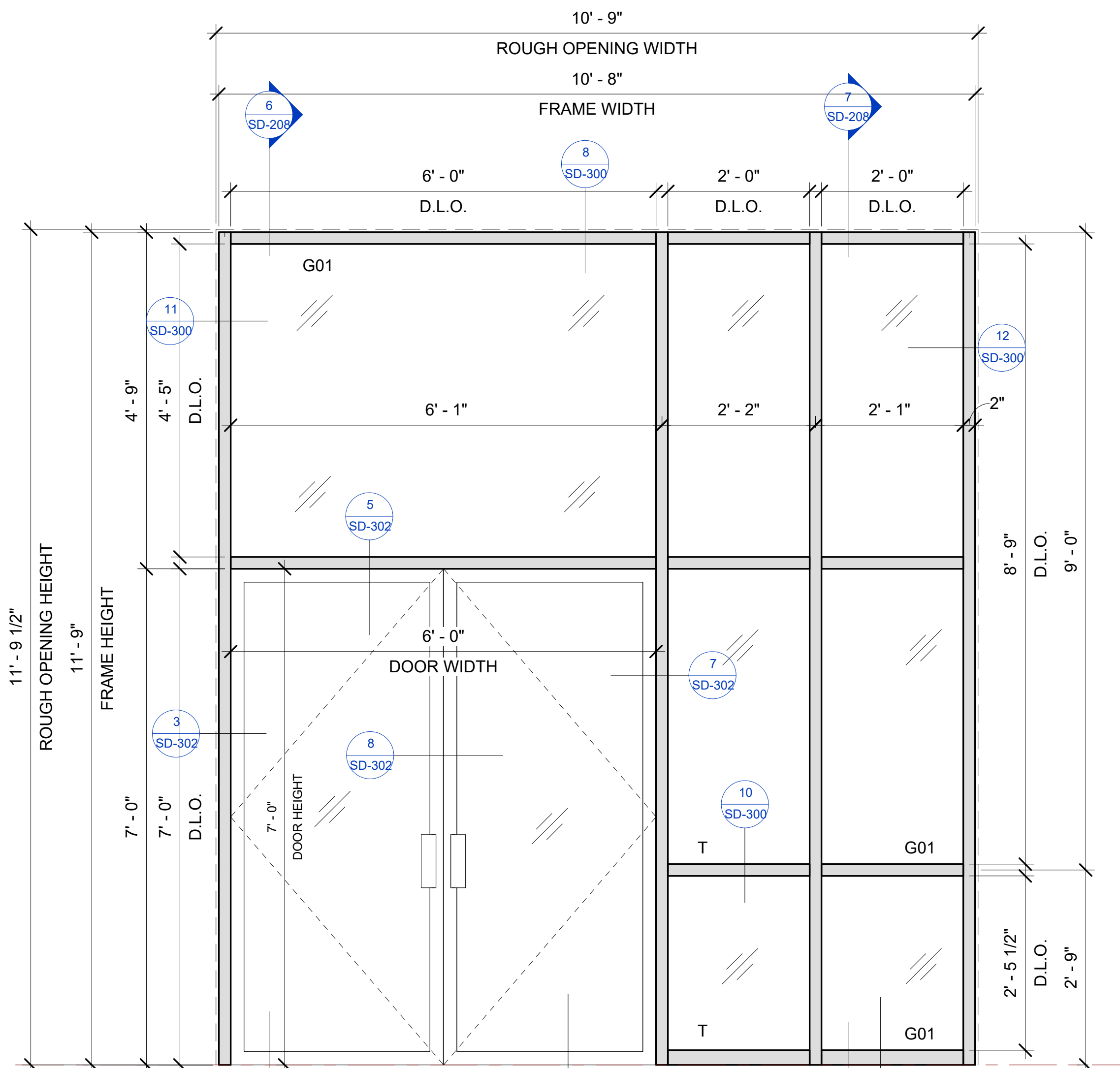


2 EXTERIOR STOREFRONT P SECTION
3/4" = 1'-0"

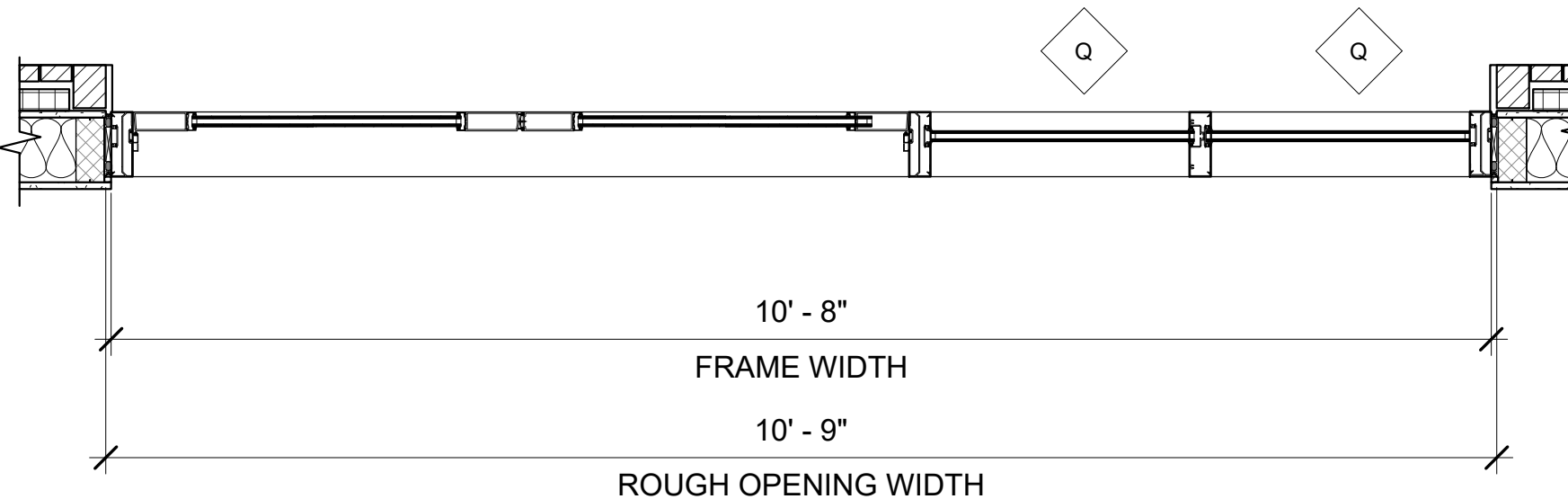
3 EXTERIOR STOREFRONT SECTION P SECTION
3/4" = 1'-0"



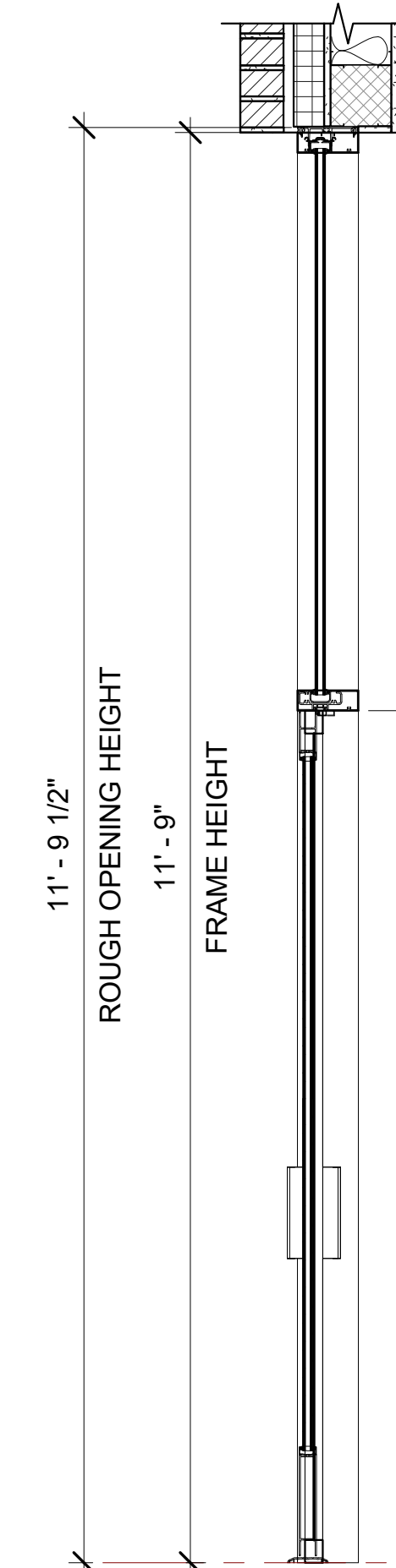
1 EXTERIOR STOREFRONT P PLAN VIEW
3/4" = 1'-0"



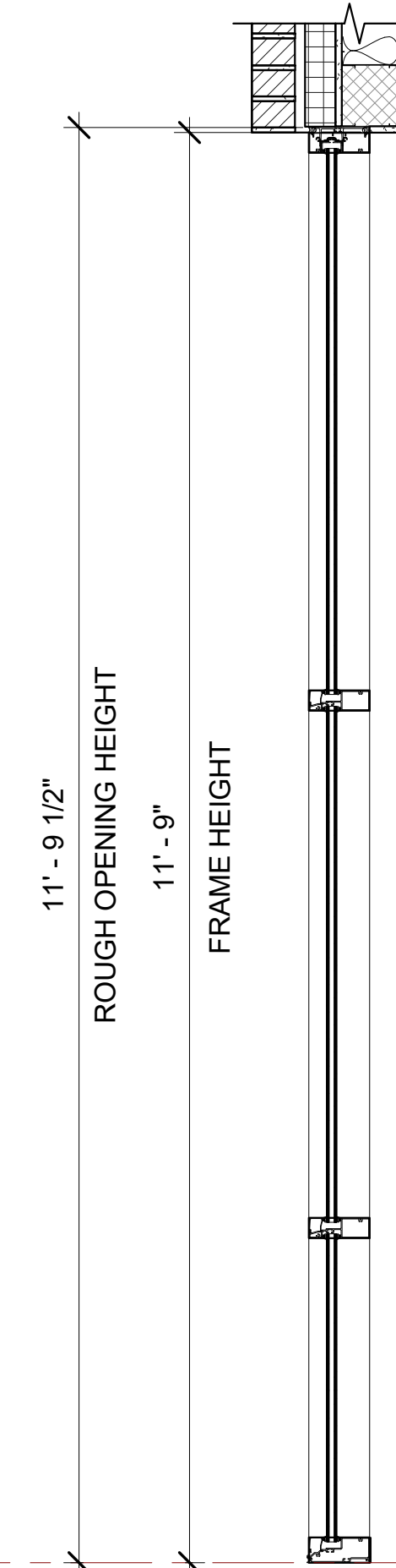
4 EXTERIOR STOREFRONT Q SECTION
3/4" = 1'-0"



5 EXTERIOR STOREFRONT Q PLAN VIEW
3/4" = 1'-0"



6 EXTERIOR STOREFRONT SECTION Q TYPE A
3/4" = 1'-0"



7 EXTERIOR STOREFRONT SECTION Q TYPE B
3/4" = 1'-0"

Revision Schedule		
Revision Number	Revision Description	Revision Date
2	REVISED CONCERNING SUBMITTAL#02 COMMENTS	06-23-2022

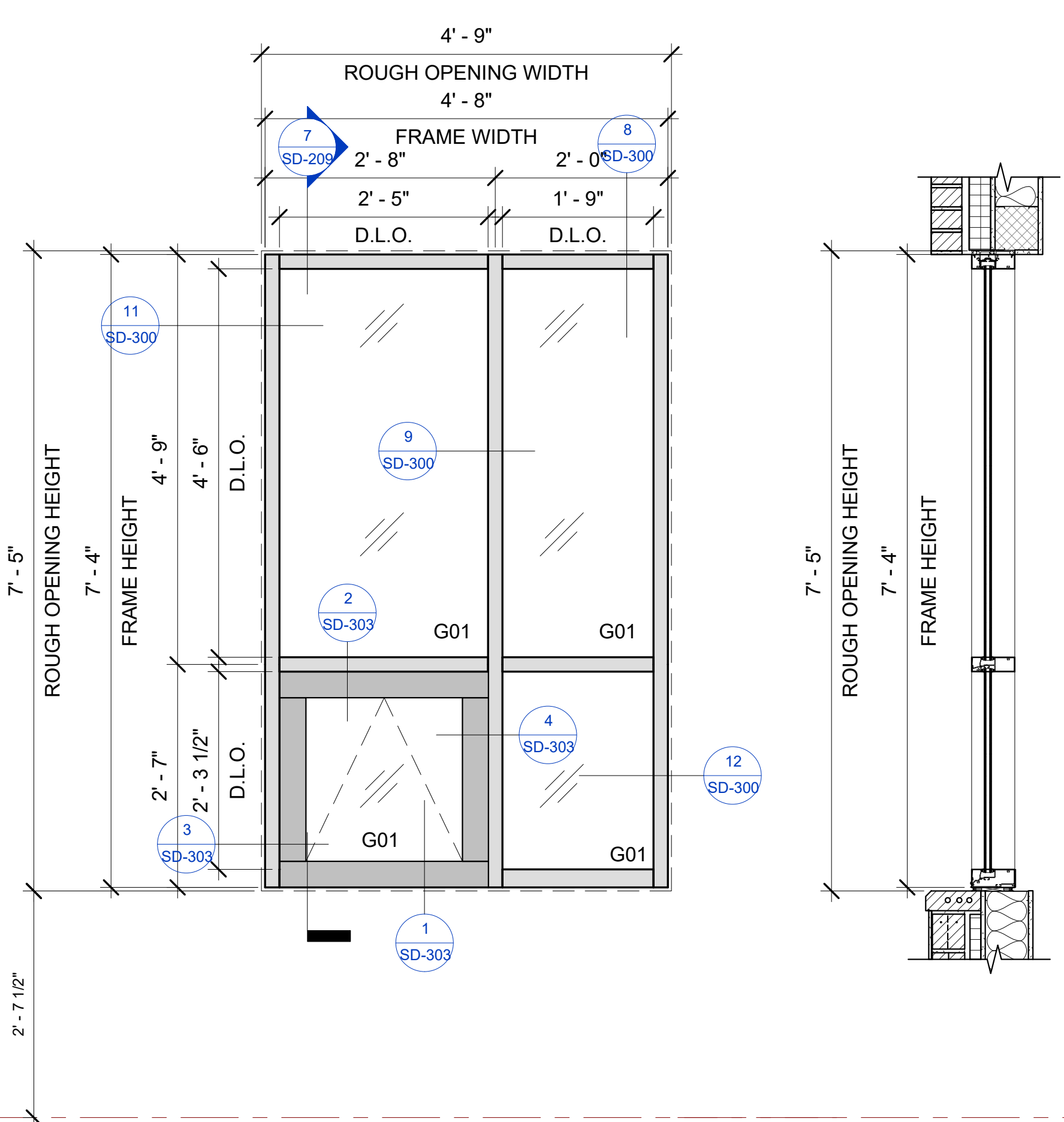
PROJECT NUMBER	SIM-44	SD-208
DATE	06/23/2022	
Drawn by	AG,AY,SS	SCALE- 3/4" = 1'-0"
Checked by	AG,AY,SS,AP	

R EXTERIOR STOREFRONT SCHEDULE									
NAME	FRAME SIZE		MFR.	SERIES	FRAME FINISHES		FRAME SPECIFICATION		
	FRAME LENGTH	FRAME HEIGHT			PANEL MATERIAL	FINISHES	MULLION SIZE	GLAZING TYPE	COUNT
R	4' - 8"	7' - 4"	OBE	FG-6000	ALUMINIUM	CLASS 1- COLOR ANODIZED	2" x 6"	G01	41

S EXTERIOR STOREFRONT SCHEDULE									
NAME	FRAME SIZE		MFR.	SERIES	FRAME FINISHES		FRAME SPECIFICATION		
	FRAME LENGTH	FRAME HEIGHT			PANEL MATERIAL	FINISHES	MULLION SIZE	GLAZING TYPE	COUNT
S	4' - 8"	7' - 4"	OBE	FG-6000	ALUMINIUM	CLASS 1- COLOR ANODIZED	2" x 6"	G01	41

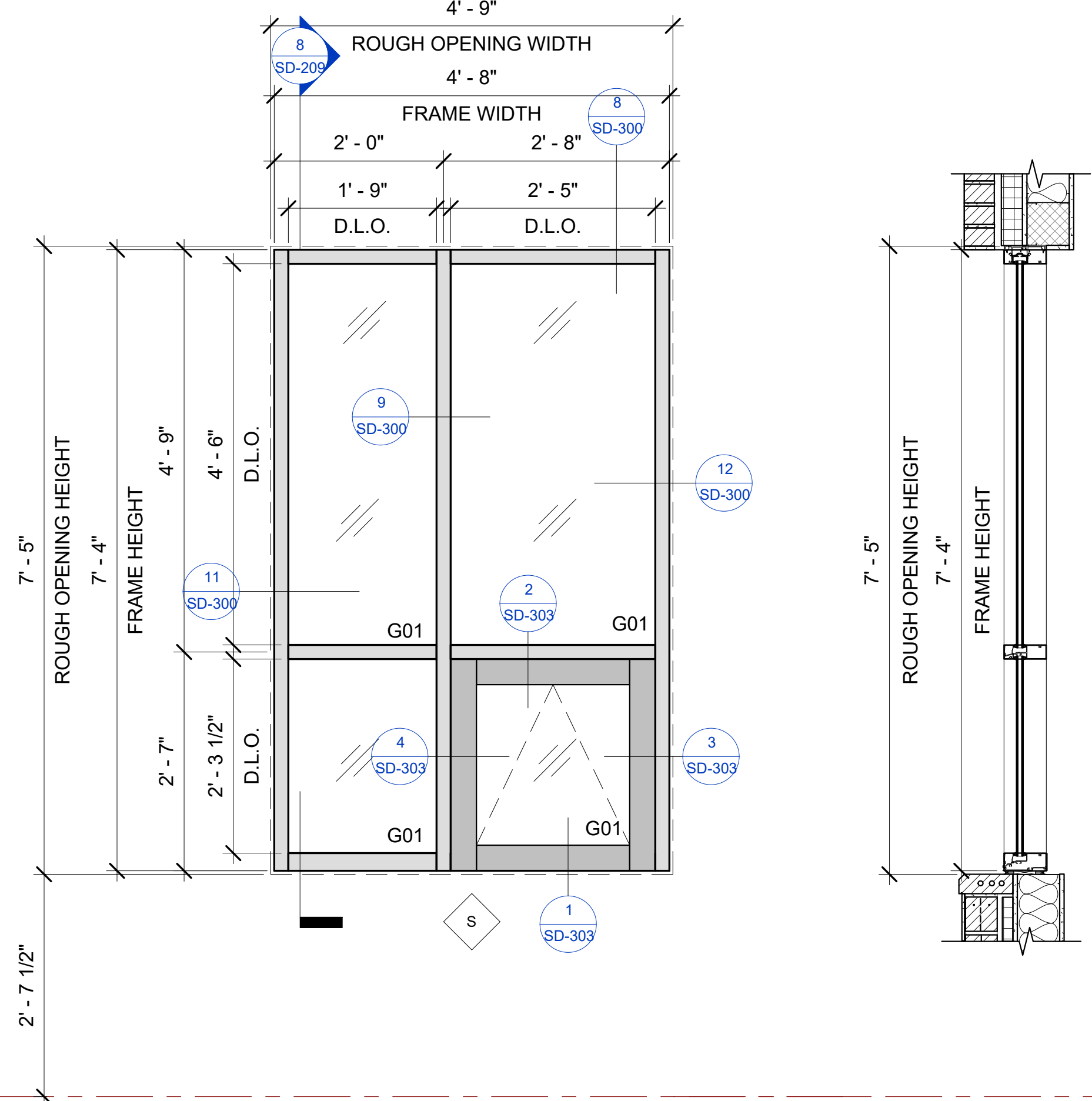
T EXTERIOR STOREFRONT SCHEDULE									
NAME	FRAME SIZE		MFR.	SERIES	FRAME FINISHES		FRAME SPECIFICATION		
	FRAME LENGTH	FRAME HEIGHT			PANEL MATERIAL	FINISHES	MULLION SIZE	GLAZING TYPE	COUNT
T	12' - 0"	10' - 0"	OBE	FG-6000	ALUMINIUM	CLASS 1- COLOR ANODIZED	2" x 6"	G01	1

GLASS SPECIFICATIONS	
G01	1" INSULATED GLASS, LOW-E, TEMPERED SAFETY GLASS, GRAY TINTED
G02	1/4" CLEAR FLOAT GLASS
G03	1" INSULATED BLACK SPANDREL GLASS
T	SAFETY GLASS



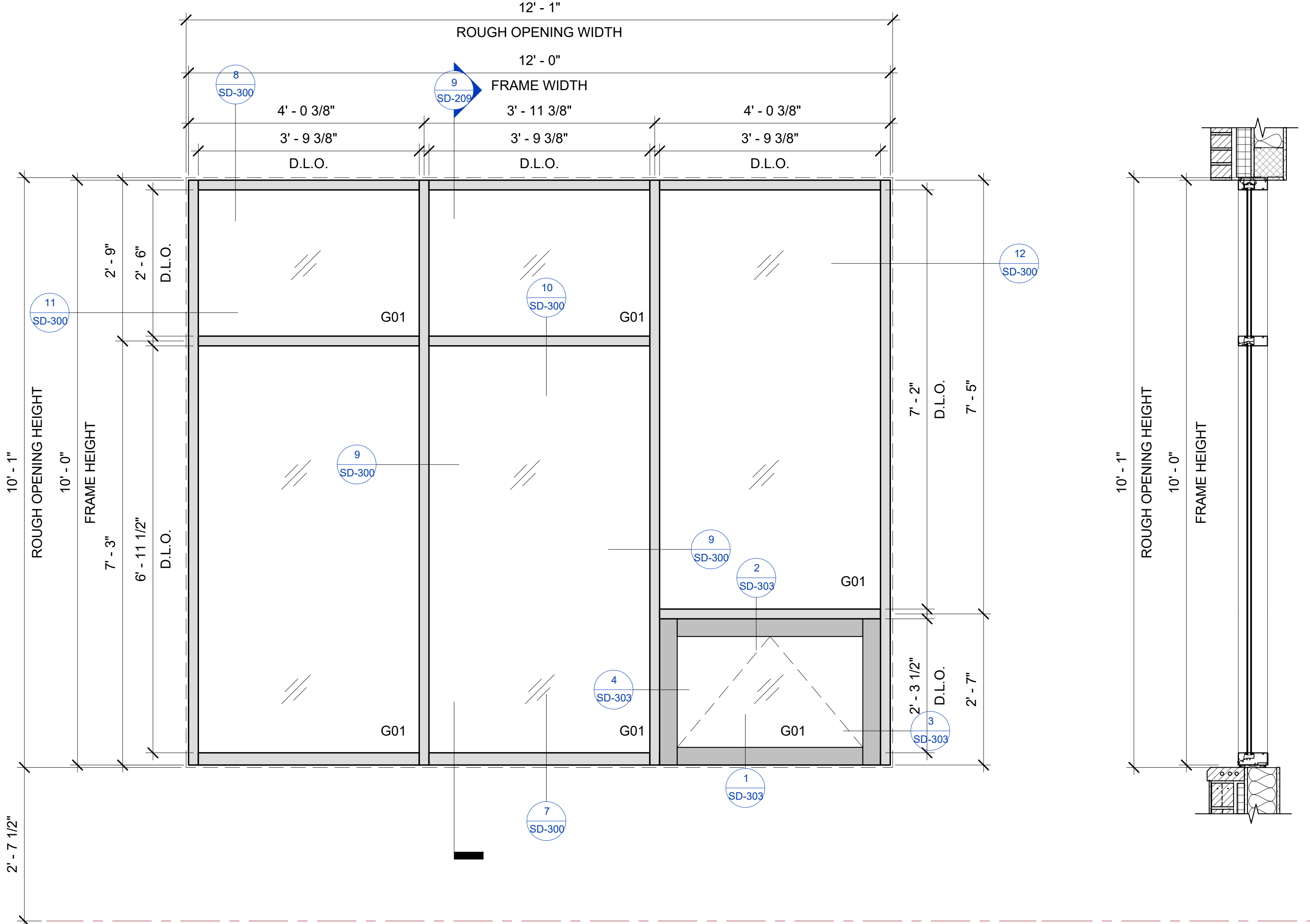
1 EXTERIOR STOREFRONT R
3/4" = 1'-0"

7 EXTERIOR STOREFRONT SECTION R
3/4" = 1'-0"



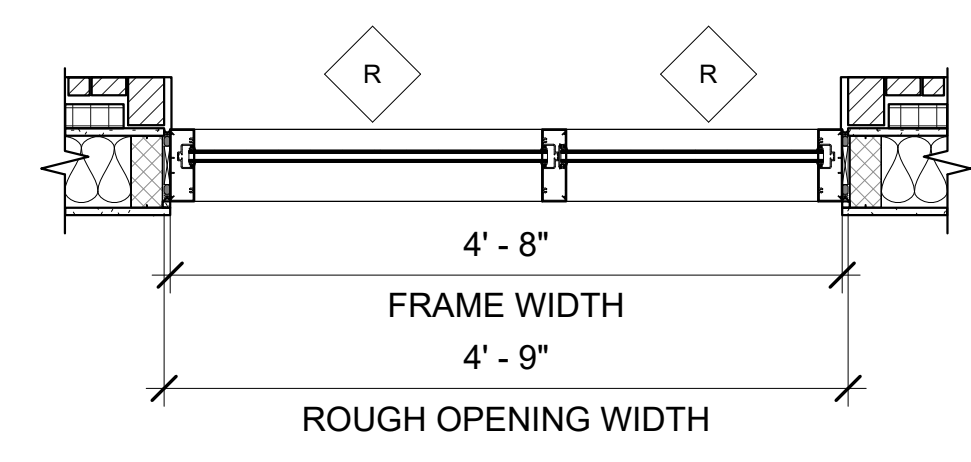
2 EXTERIOR STOREFRONT S
3/4" = 1'-0"

8 EXTERIOR STOREFRONT SECTION S
3/4" = 1'-0"

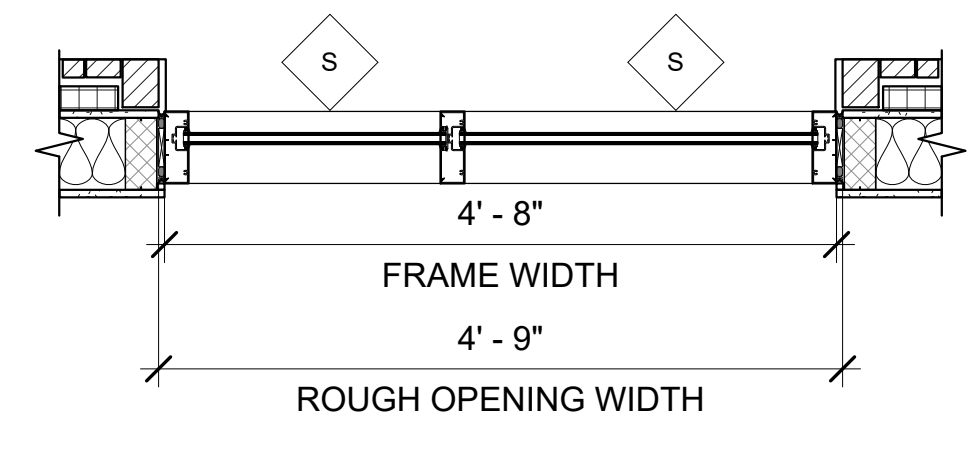


3 EXTERIOR STOREFRONT T
3/4" = 1'-0"

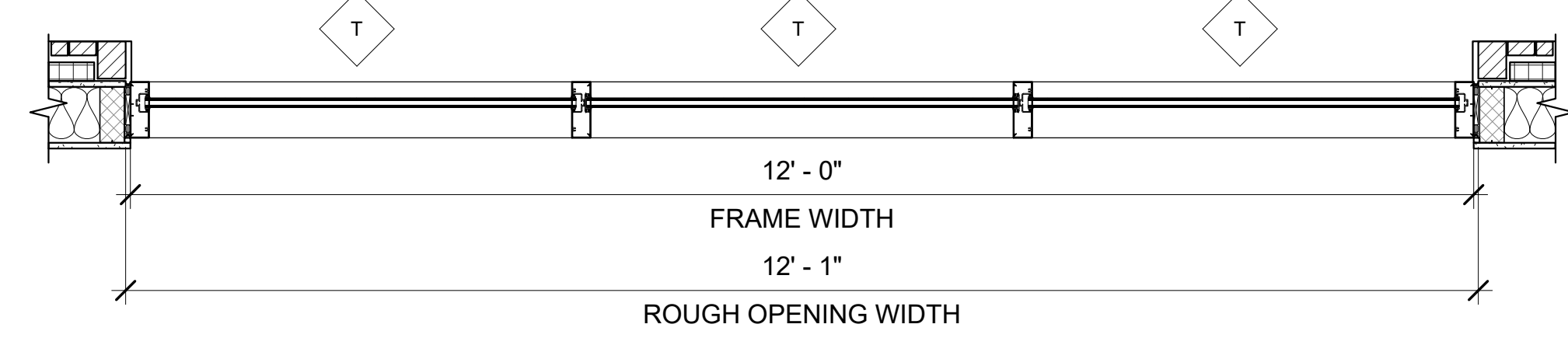
9 EXTERIOR STOREFRONT SECTION T
3/4" = 1'-0"



4 EXTERIOR STOREFRONT R PLAN VIEW
3/4" = 1'-0"



5 EXTERIOR STOREFRONT S PLAN VIEW
3/4" = 1'-0"



6 EXTERIOR STOREFRONT T PLAN VIEW
3/4" = 1'-0"

BIM ARCHITECTS AND ENGINEERS

SIMSONA CORP.
1451 Rockville Pike, Suite #250,
Rockville, MD 20850
Phone : 301-408-8553
Email: raj@simsona.com
www.simsonacadd.com

PROJECT NAME

DALLAS HARRIS ELEMENTARY SCHOOL

3302 SOUTH BARNESIDE WAY

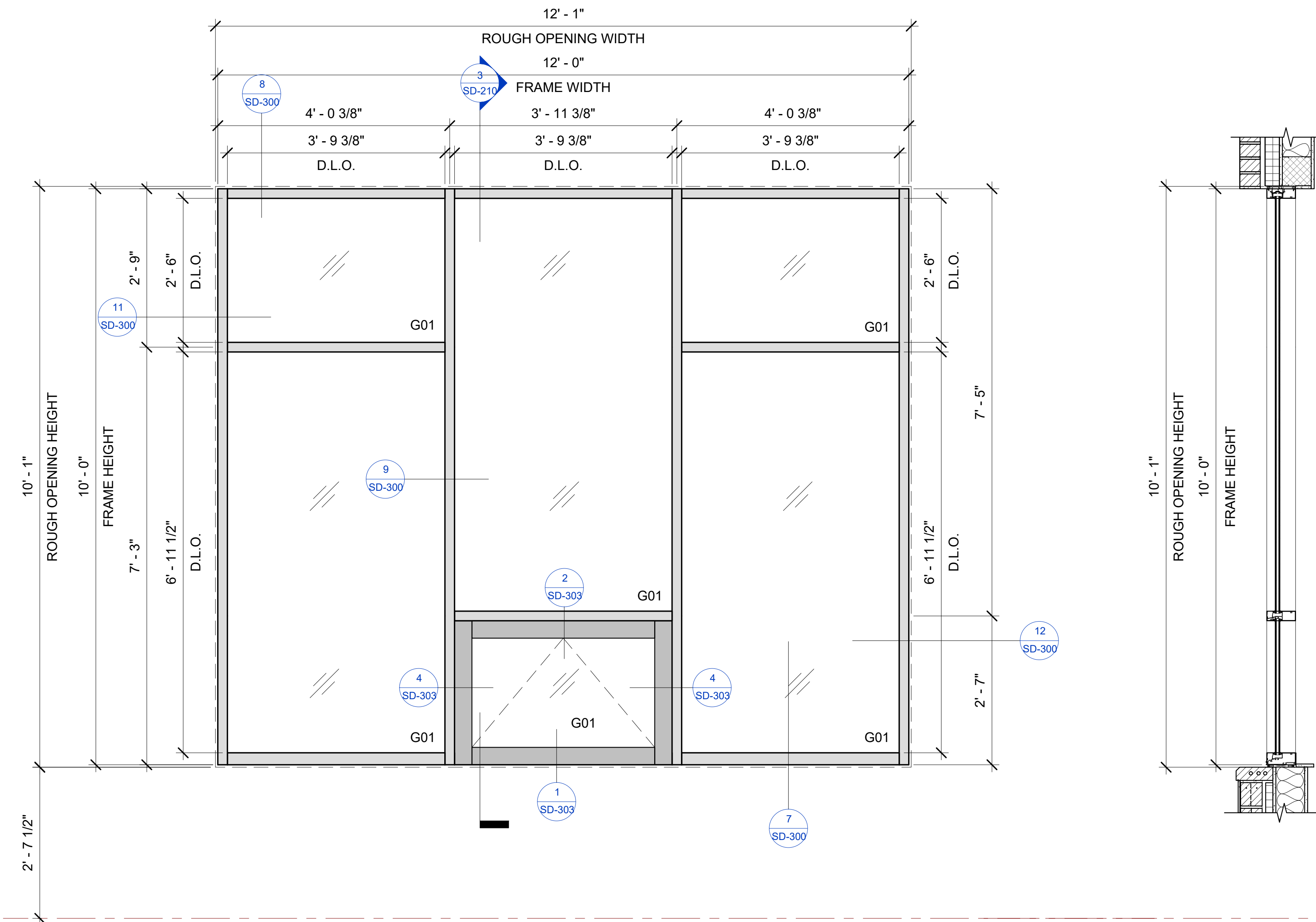
Revision Schedule		
Revision Number	Revision Description	Revision Date

EXTERIOR STOREFRONT R, S, T	
PROJECT NUMBER SIM-44	SD-209
DATE 06/23/2022	
Drawn by AG,AY,SS	SCALE- 3/4" = 1'-0"
Checked by AG,AY,SS,AP	

U EXTERIOR STOREFRONT SCHEDULE									
NAME	FRAME SIZE		FRAME FINISHES				FRAME SPECIFICATION		
	FRAME LENGTH	FRAME HEIGHT	MFR.	SERIES	PANEL MATERIAL	FINISHES	MULLION SIZE	GLAZING TYPE	COUNT
U	12' - 0"	10' - 0"	OBE	FG-6000	ALUMINIUM	CLASS 1-COLOR ANODIZED	2" x 6"	G01	2

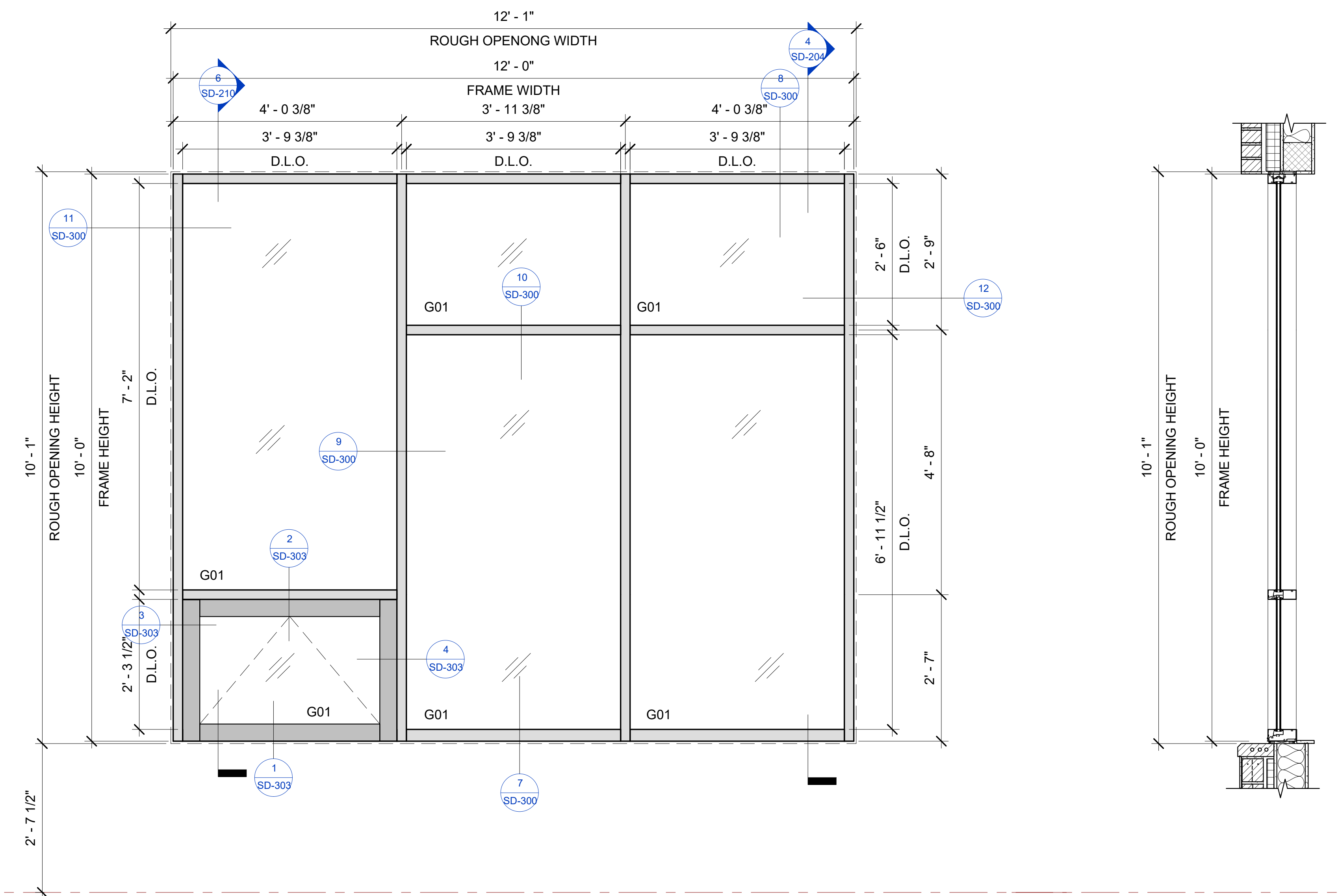
V EXTERIOR STOREFRONT SCHEDULE									
NAME	FRAME SIZE		FRAME FINISHES				FRAME SPECIFICATION		
	FRAME LENGTH	FRAME HEIGHT	MFR.	SERIES	PANEL MATERIAL	FINISHES	MULLION SIZE	GLAZING TYPE	COUNT
V	12' - 0"	10' - 0"	OBE	FG-6000	ALUMINIUM	CLASS 1-COLOR ANODIZED	2" x 6"	G01	1

GLASS SPECIFICATIONS	
G01	1" INSULATED GLASS, LOW-E, TEMPERED SAFETY GLASS, GRAY TINTED
G02	1/4" CLEAR FLOAT GLASS
G03	1" INSULATED BLACK SPANDREL GLASS
T	SAFETY GLASS



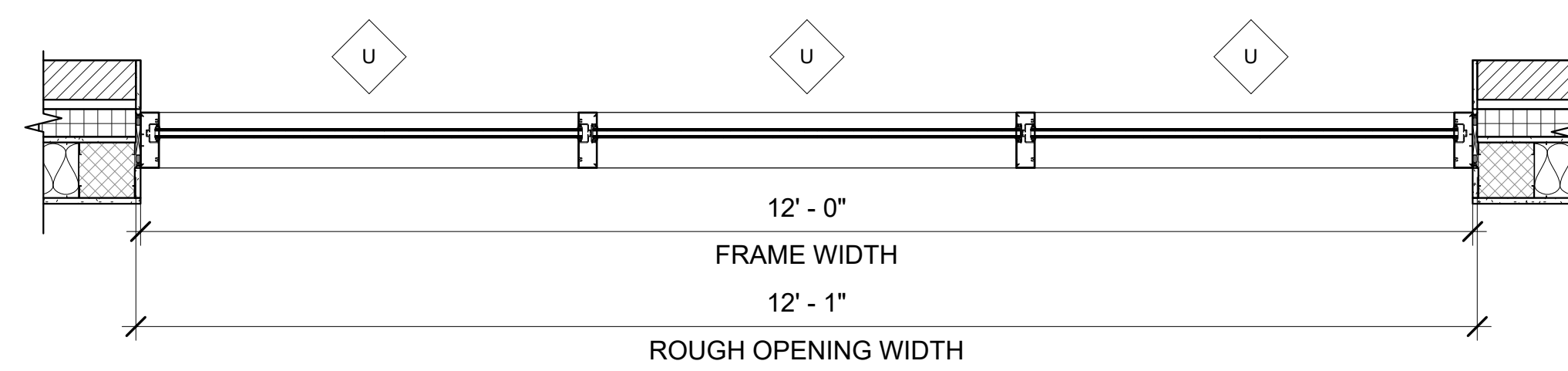
1 EXTERIOR STOREFRONT U
3/4" = 1'-0"

3 EXTERIOR STOREFRONT SECTION U
3/4" = 1'-0"

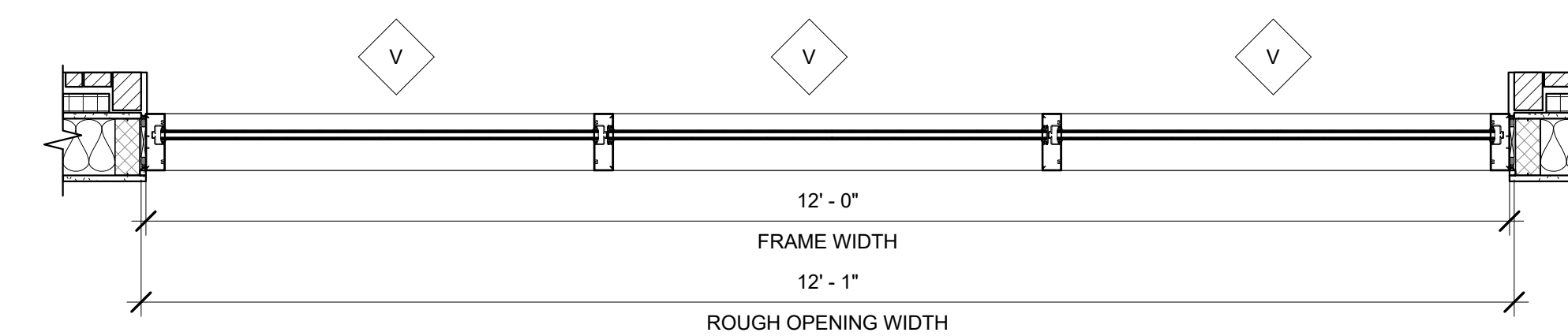


2 EXTERIOR STOREFRONT V
3/4" = 1'-0"

6 EXTERIOR STOREFRONT SECTION V
3/4" = 1'-0"



4 EXTERIOR STOREFRONT U PLAN VIEW
3/4" = 1'-0"



5 EXTERIOR STOREFRONT V PLAN VIEW
3/4" = 1'-0"

BIM ARCHITECTS AND ENGINEERS

SIMSONA CORP.

1451 Rockville Pike, Suite #250,
Rockville, MD 20850

Phone : 301-408-8553

Email: raj@simsona.com

www.simsonacadd.com

PROJECT NAME

DALLAS HARRIS ELEMENTARY SCHOOL

3302 SOUTH BARNESIDE WAY

Revision Schedule

Revision Number	Revision Description	Revision Date

EXTERIOR STOREFRONT U, V

PROJECT NUMBER SIM-44

DATE 06/23/2022

Drawn by AG,AY,SS

Checked by AG,AY,SS,AP

SD-210

SCALE- 3/4" = 1'-0"

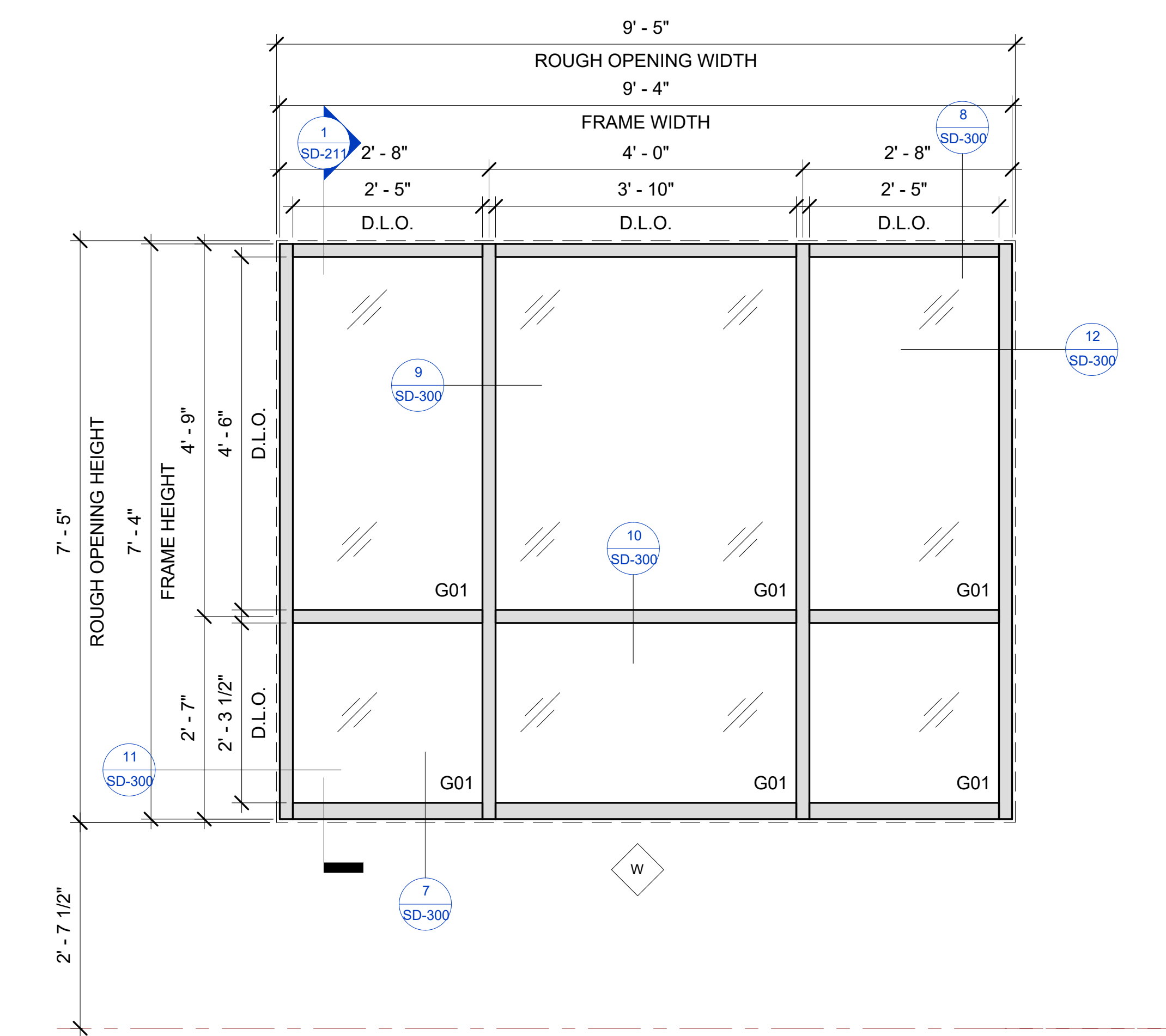
PLOT CREATED: 06/23/2022

W EXTERIOR STOREFRONT SCHEDULE									
NAME	FRAME SIZE		FRAME FINISHES				FRAME SPECIFICATION		
	FRAME LENGTH	FRAME HEIGHT	MFR.	SERIES	PANEL MATERIAL	FINISHES	MULLION SIZE	GLAZING TYPE	COUNT
W	9' - 4"	7' - 4"	OBE	FG-6000	ALUMINIUM	CLASS 1- COLOR ANODIZED	2" x 6"	G01	1

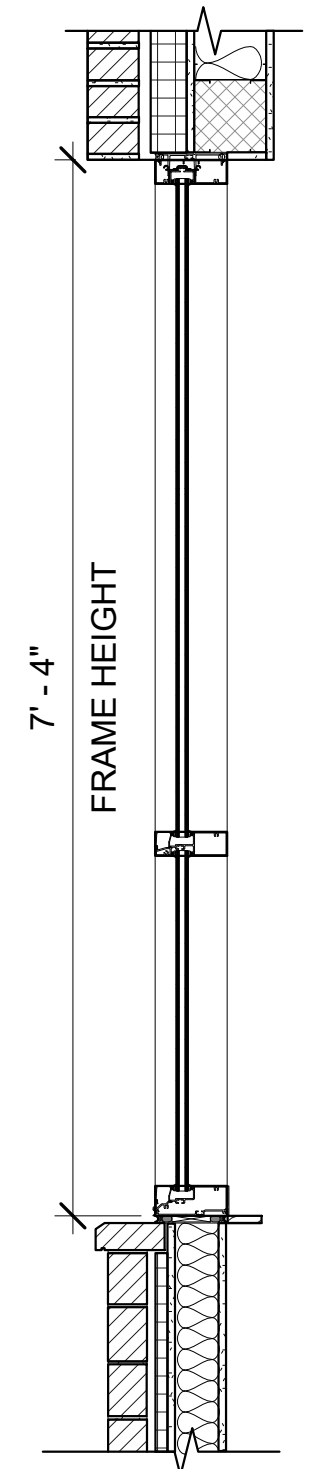
WW EXTERIOR STOREFRONT SCHEDULE									
NAME	FRAME SIZE		FRAME FINISHES				FRAME SPECIFICATION		
	FRAME LENGTH	FRAME HEIGHT	MFR.	SERIES	PANEL MATERIAL	FINISHES	MULLION SIZE	GLAZING TYPE	COUNT
WW	5' - 4"	7' - 4"	OBE	FG-6000	ALUMINIUM	CLASS 1- COLOR ANODIZED	2" x 6"		4

Y EXTERIOR CURTAINWALL SCHEDULE									
NAME	FRAME SIZE		FRAME FINISHES				FRAME SPECIFICATION		
	FRAME LENGTH	FRAME HEIGHT	MFR.	SERIES	PANEL MATERIAL	FINISHES	MULLION SIZE	GLAZING TYPE	COUNT
Y	4' - 8"	22' - 0"	OBE	RELIANCE	ALUMINIUM	CLASS 1- COLOR ANODIZED	2 1/2" x 6"	G01	2

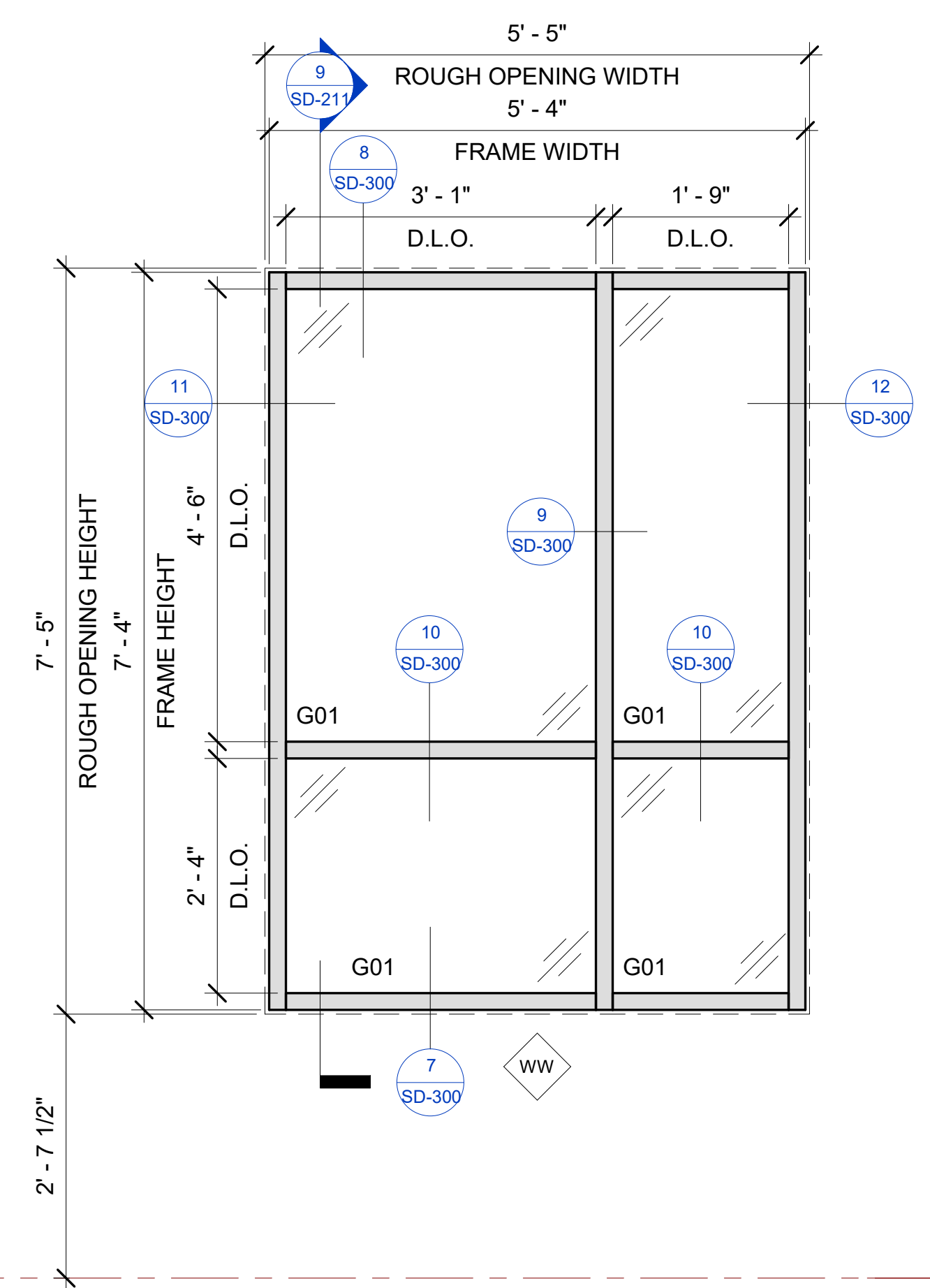
GLASS SPECIFICATIONS	
G01	1" INSULATED GLASS, LOW-E, TEMPERED SAFETY GLASS, GRAY TINTED
G02	1/4" CLEAR FLOAT GLASS
G03	1" INSULATED BLACK SPANDREL GLASS
T	SAFETY GLASS



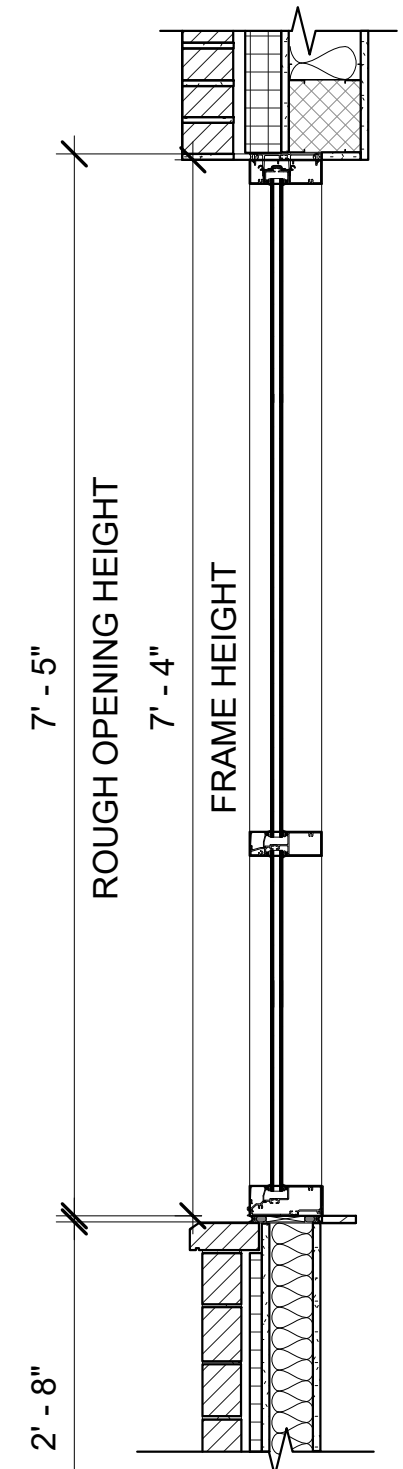
3 EXTERIOR STOREFRONT W
3/4" = 1'-0"



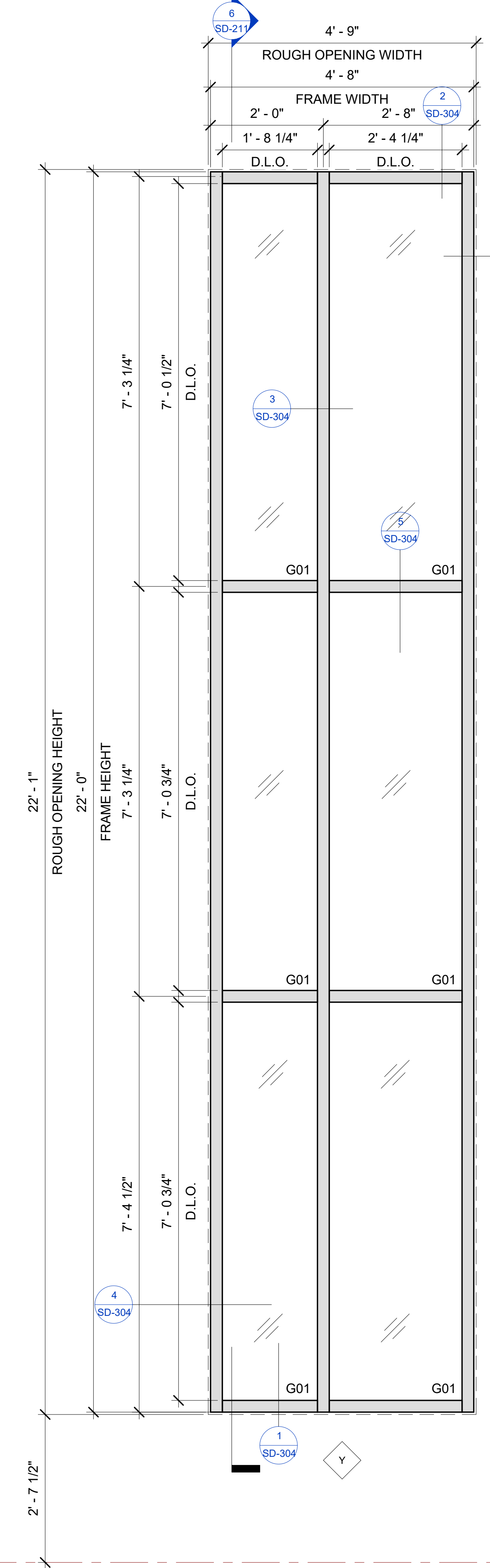
1 EXTERIOR STOREFRONT SECTION W
3/4" = 1'-0"



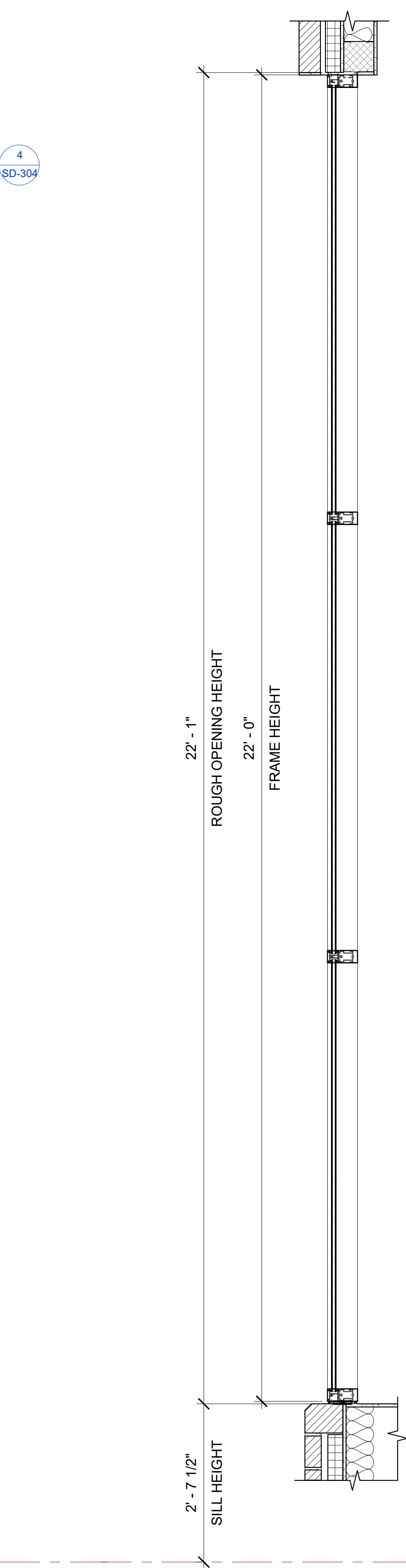
8 EXTERIOR STOREFRONT WW
3/4" = 1'-0"



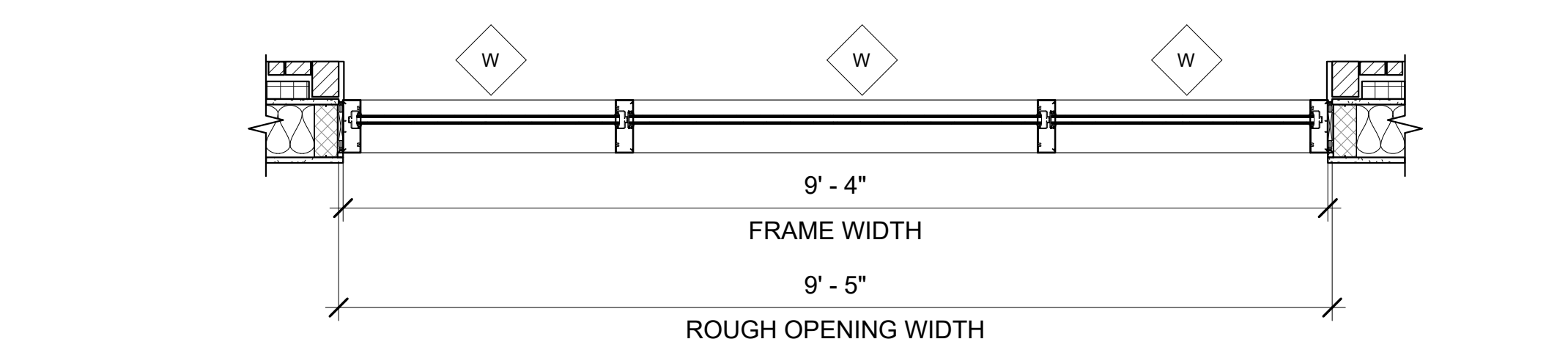
9 EXTERIOR STOREFRONT SECTION WW
3/4" = 1'-0"



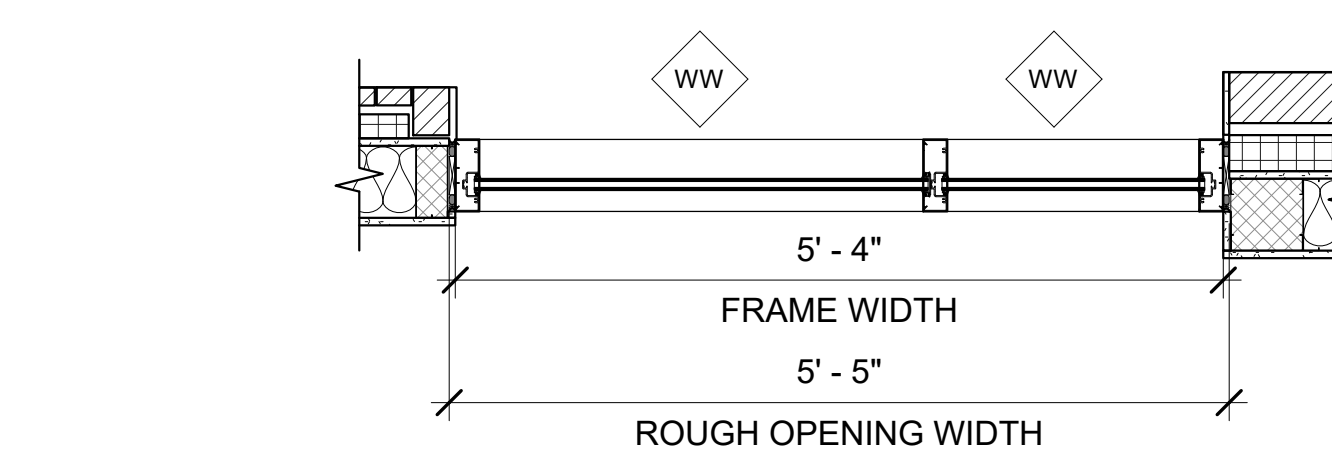
5 EXTERIOR STOREFRONT Y
3/4" = 1'-0"



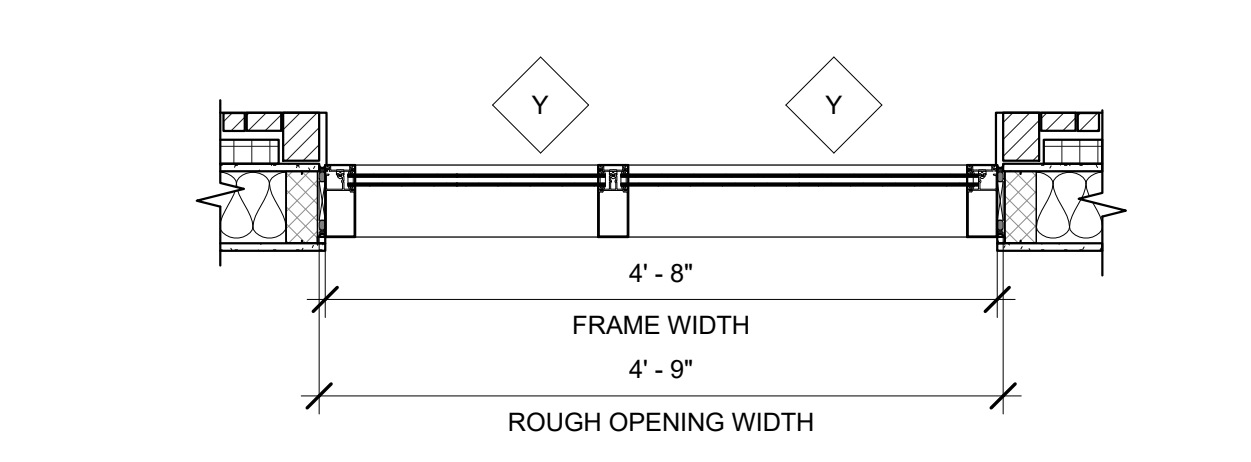
6 EXTERIOR STOREFRONT SECTION Y
3/4" = 1'-0"



2 EXTERIOR STOREFRONT W PLAN VIEW
3/4" = 1'-0"



7 EXTERIOR STOREFRONT WW PLAN VIEW
3/4" = 1'-0"



4 EXTERIOR STOREFRONT Y PLAN VIEW
3/4" = 1'-0"

BIM ARCHITECTS AND ENGINEERS
SIMSONA CORP.
 1451 Rockville Pike, Suite #250,
 Rockville, MD 20850
 Phone : 301-408-8553
 Email: raj@simsona.com
 www.simsonacadd.com

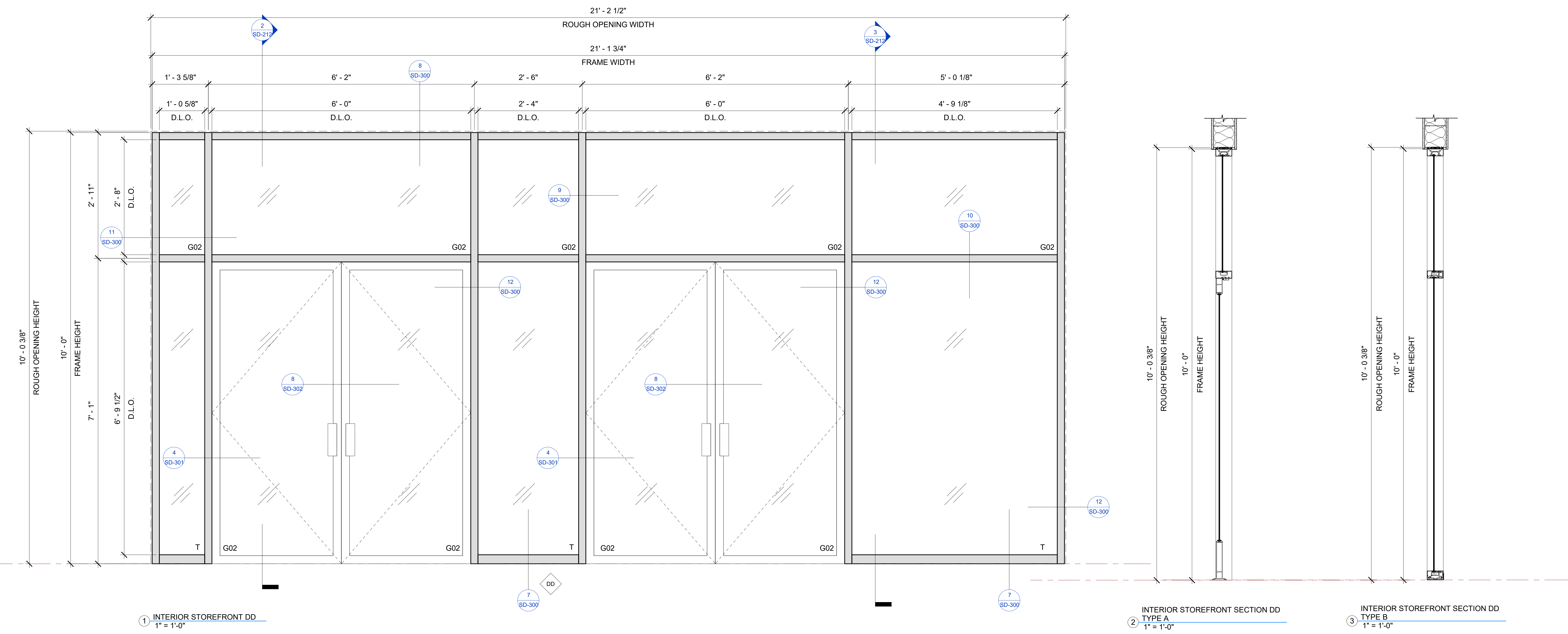
PROJECT NAME
DALLAS HARRIS ELEMENTARY SCHOOL
3302 SOUTH BARNside WAY

Revision Schedule		
Revision Number	Revision Description	Revision Date
1	REVISED CONCERNING SUBMITTAL#01 COMMENTS	06-21-2022

EXTERIOR STOREFRONT W,WW AND CURTAINWALL Y		
PROJECT NUMBER	SIM-44	SD-211
DATE	06/23/2022	
Drawn by	AG,AY,SS	SCALE- 3/4" = 1'-0"
Checked by	AG,AY,SS,AP	

DD INTERIOR STOREFRONT SCHEDULE									
NAME	FRAME SIZE		FRAME FINISHES				FRAME SPECIFICATION		
	FRAME LENGTH	FRAME HEIGHT	MFR.	SERIES	PANEL MATERIAL	FINISHES	MULLION SIZE	GLAZING TYPE	COUNT
DD	21' - 1 3/4"	10' - 0"	OBE	FG-3000	ALUMINIUM	CLASS 1- COLOR ANODIZED	2" x 4-1/2"	G01	1

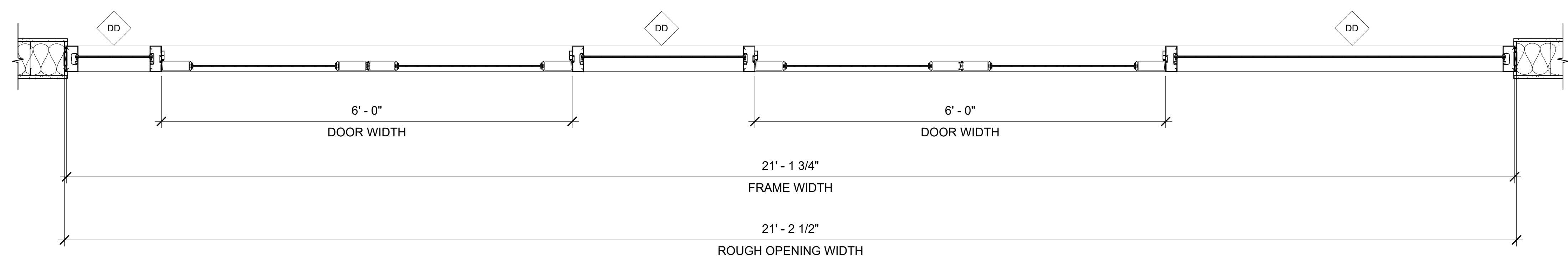
GLASS SPECIFICATIONS	
G01	1" INSULATED GLASS, LOW-E, TEMPERED SAFETY GLASS, GRAY TINTED
G02	1/4" CLEAR FLOAT GLASS
G03	1" INSULATED BLACK SPANDREL GLASS
T	SAFETY GLASS



1 INTERIOR STOREFRONT DD
1" = 1'-0"

2 INTERIOR STOREFRONT SECTION DD
TYPE A
1" = 1'-0"

3 INTERIOR STOREFRONT SECTION DD
TYPE B
1" = 1'-0"



4 INTERIOR STOREFRONT DD PLAN VIEW
1" = 1'-0"

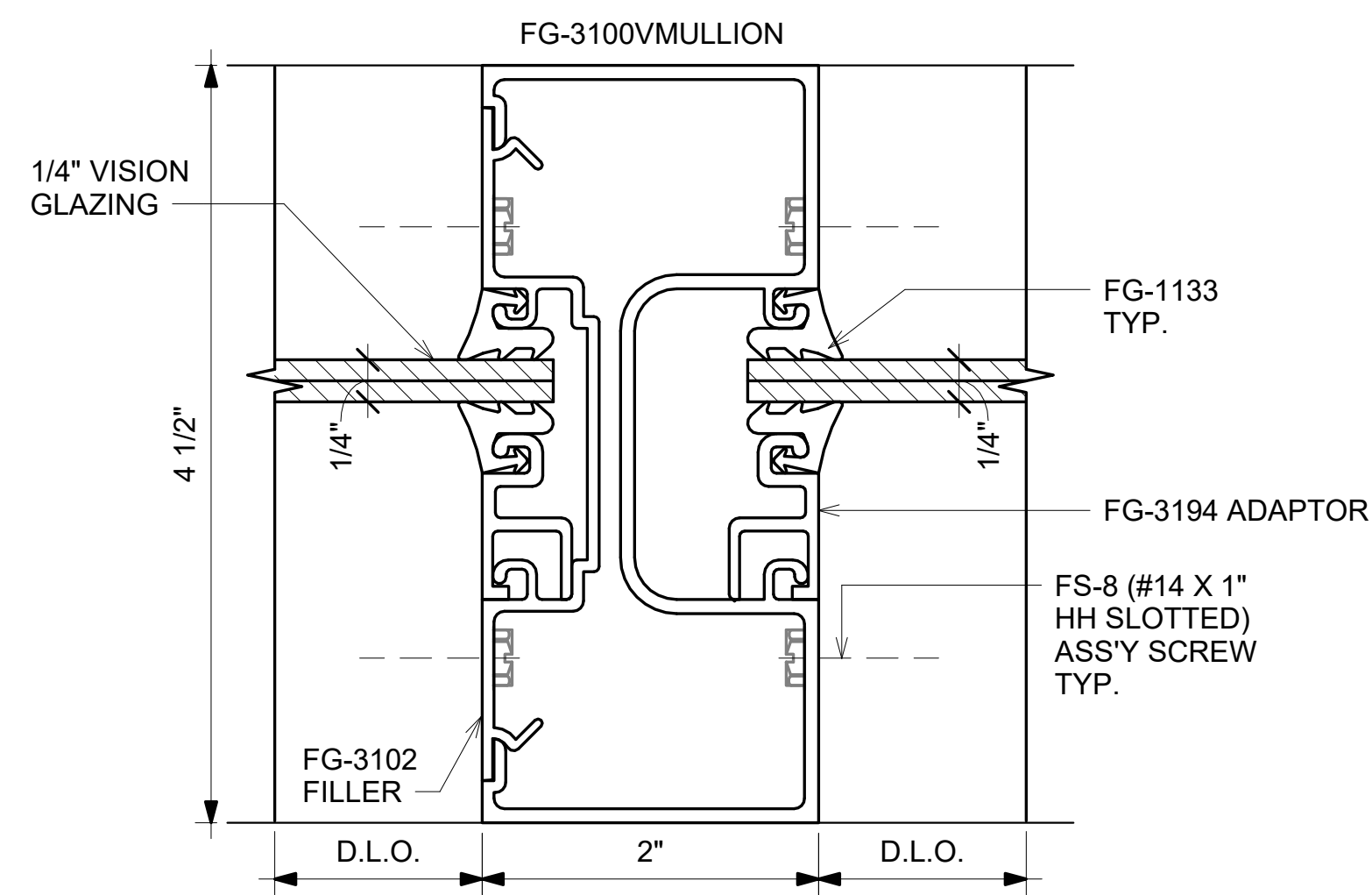
BIM ARCHITECTS AND ENGINEERS
SIMSONA CORP.
 1451 Rockville Pike, Suite #250,
 Rockville, MD 20850
 Phone : 301-408-8553
 Email: raj@simsona.com
 www.simsonacadd.com

PROJECT NAME
DALLAS HARRIS ELEMENTARY SCHOOL
3302 SOUTH BARNSIDE WAY

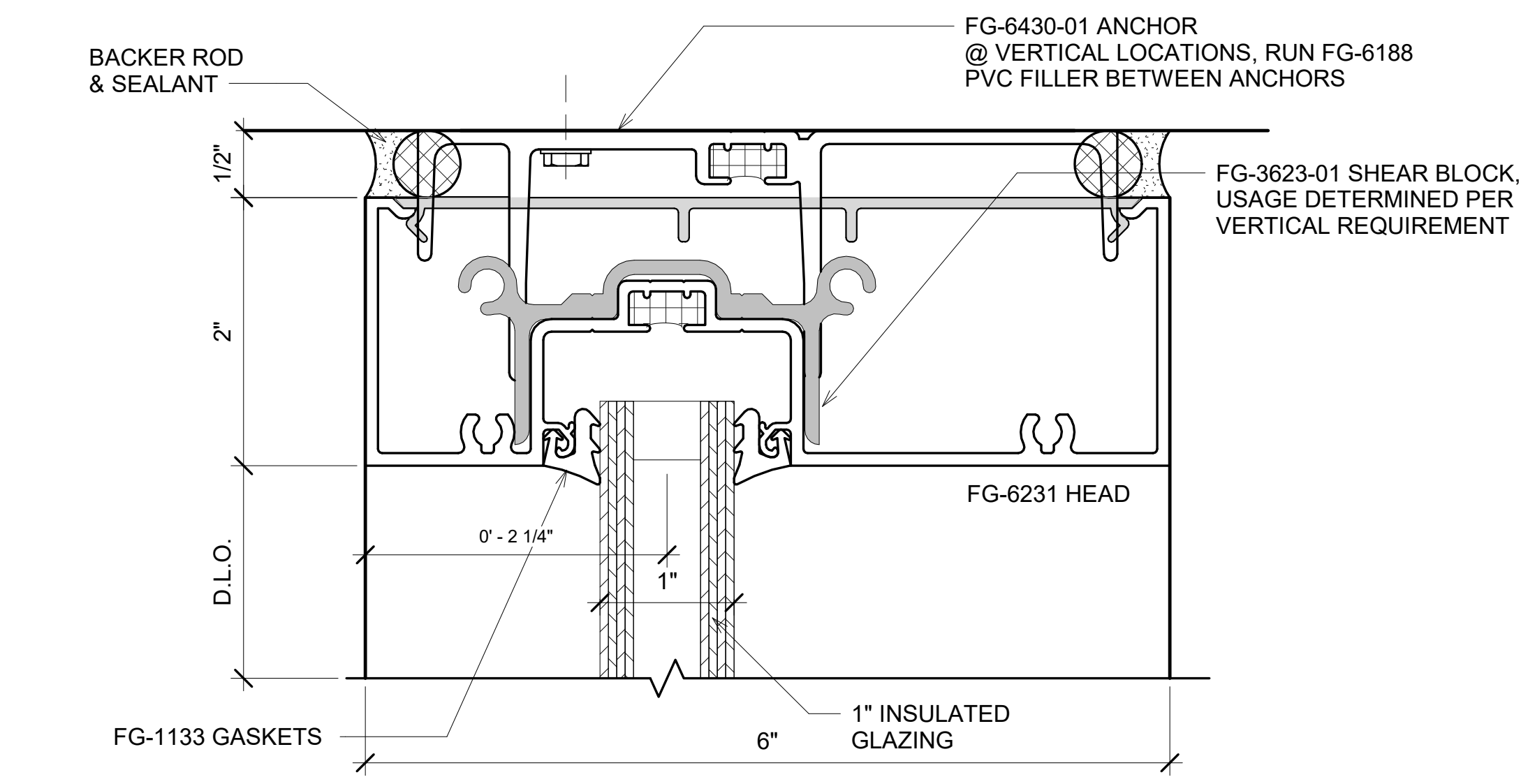
Revision Schedule		
Revision Number	Revision Description	Revision Date

INTERIOR STOREFRONT DD	
PROJECT NUMBER SIM-44	SD-212
DATE 06/23/2022	
Drawn by AG,AY,SS	SCALE-As indicated
Checked by AG,AY,SS,AP	

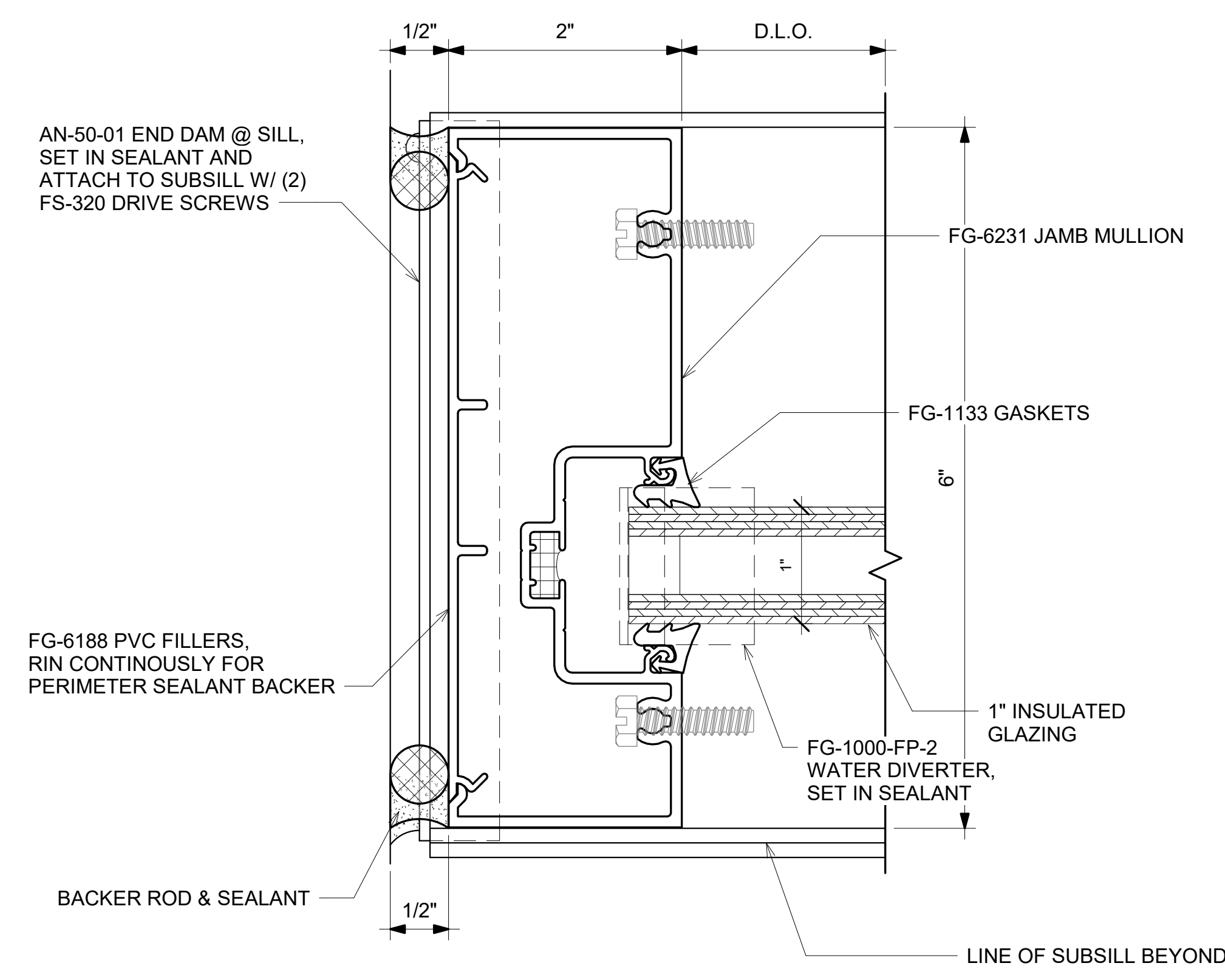
PLOT CREATED: 06/23/2022



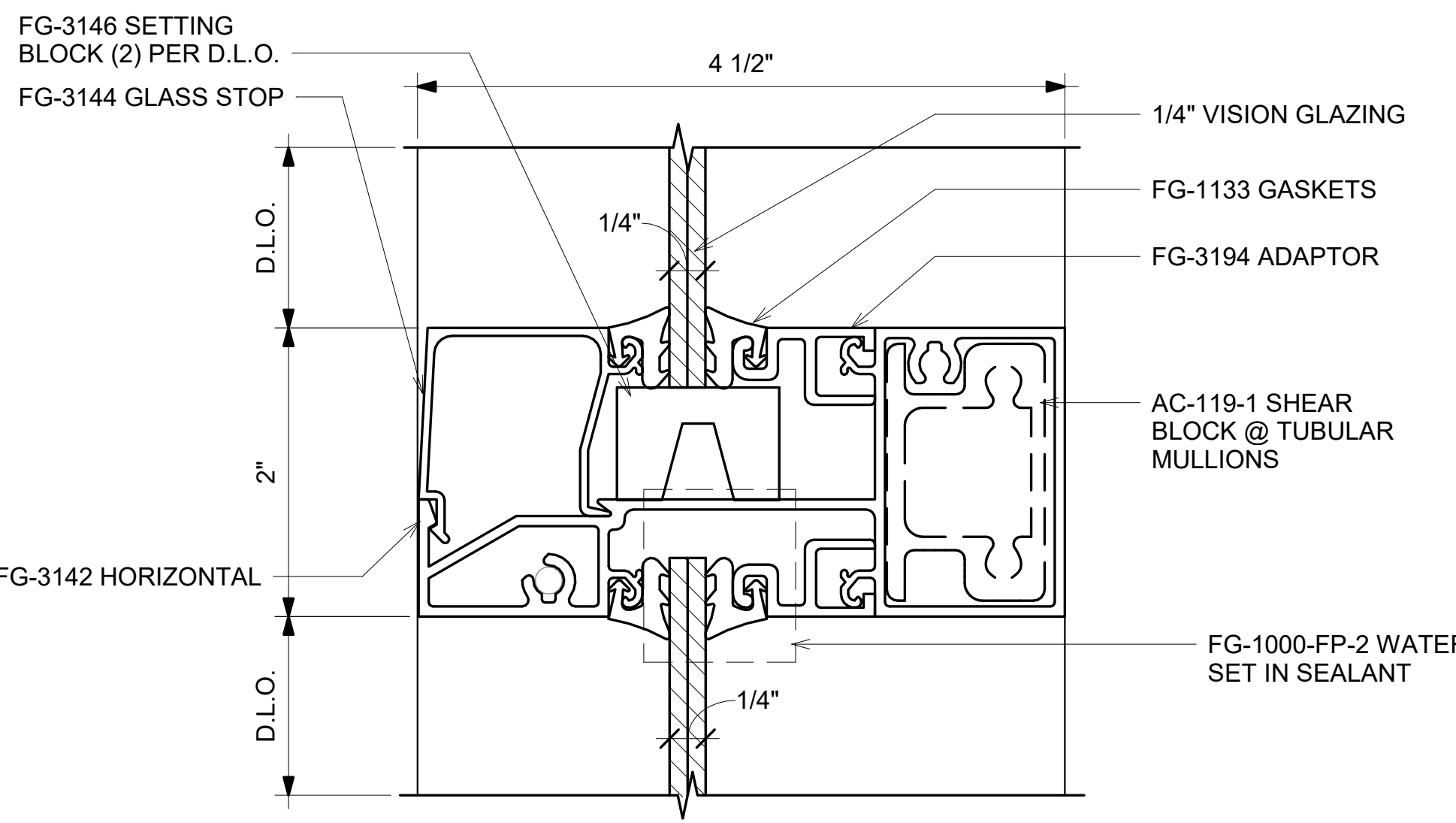
4 FG-3000 INTERIOR STOREFRONT INTERMEDIATE VERTICAL DETAILS
12" = 1'-0"



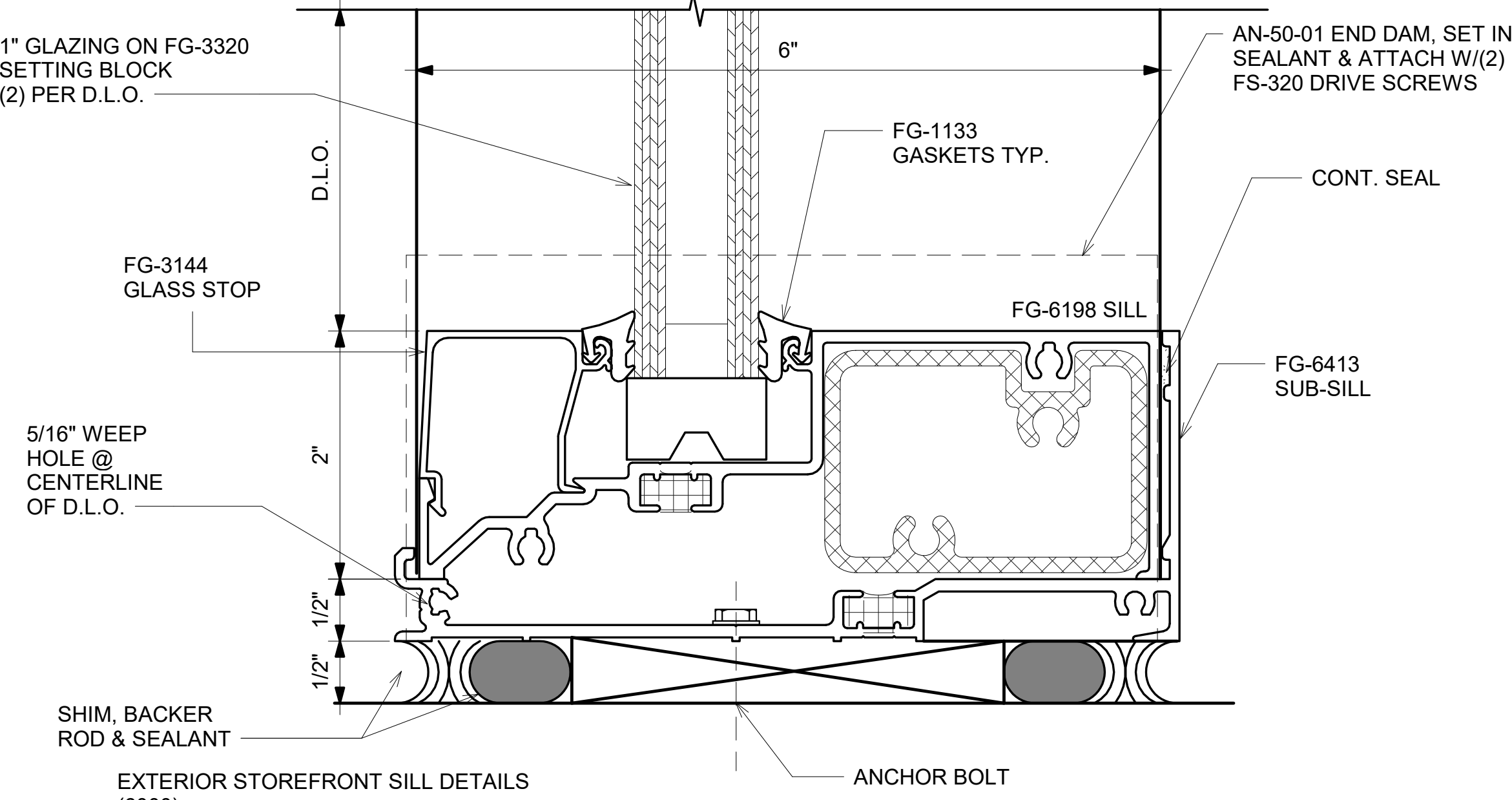
8 EXTERIOR STOREFRONT HEAD DETAILS (6000)
12" = 1'-0"



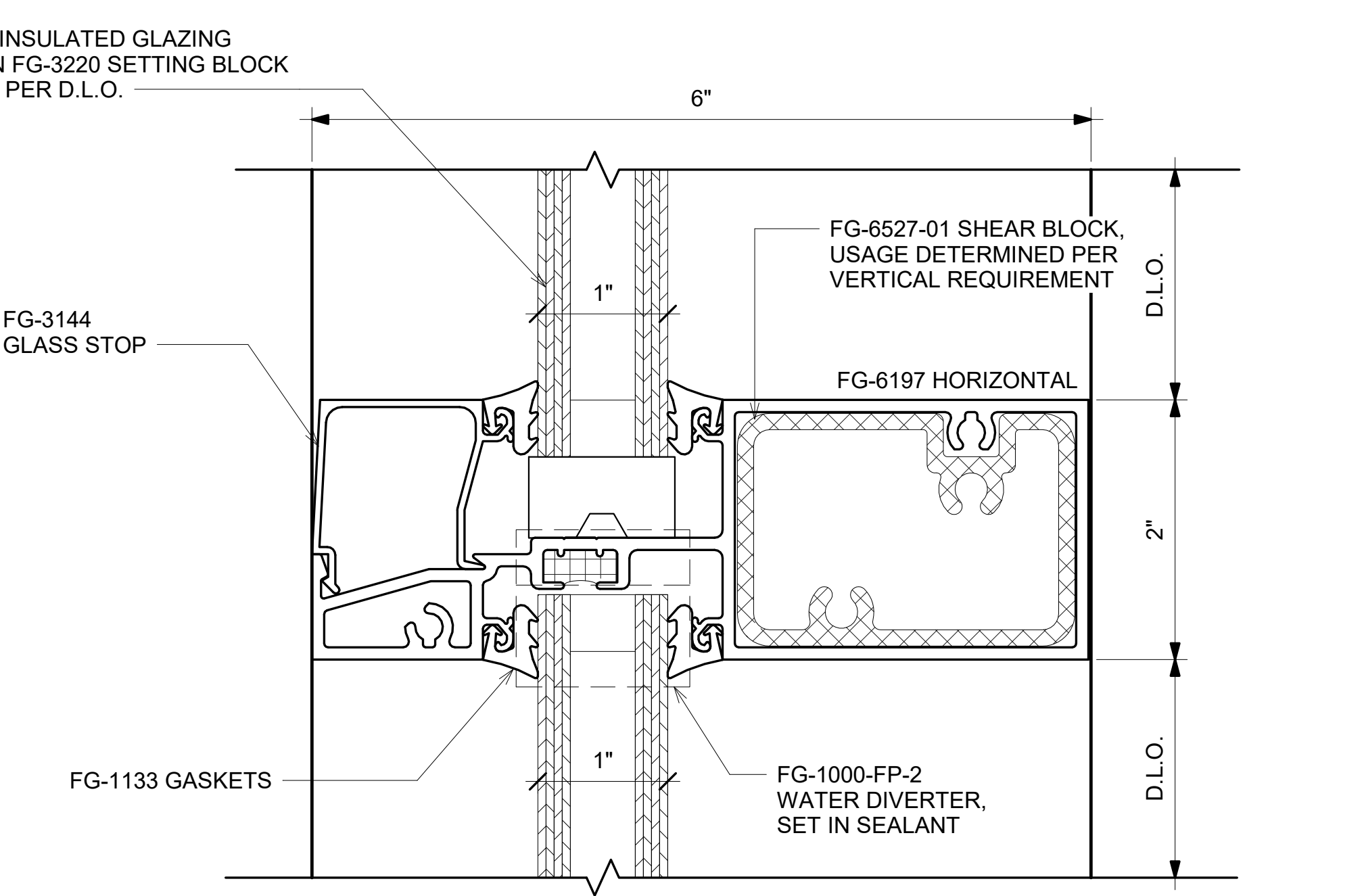
11 EXTERIOR STOREFRONT LEFT JAMB DETAILS (6000)
12" = 1'-0"



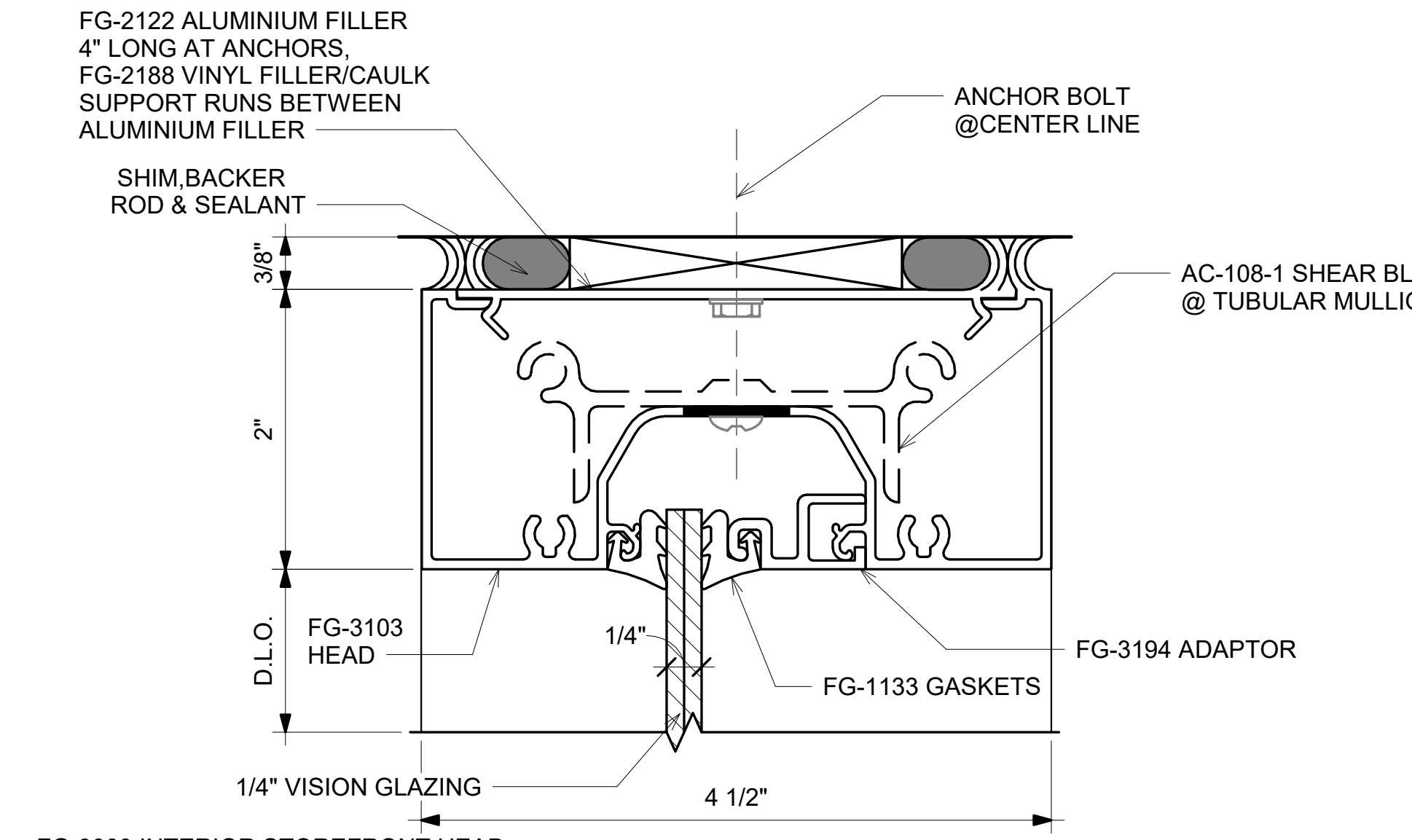
3 FG-3000 INTERIOR STOREFRONT INTERMEDIATE HORIZONTAL DETAILS
12" = 1'-0"



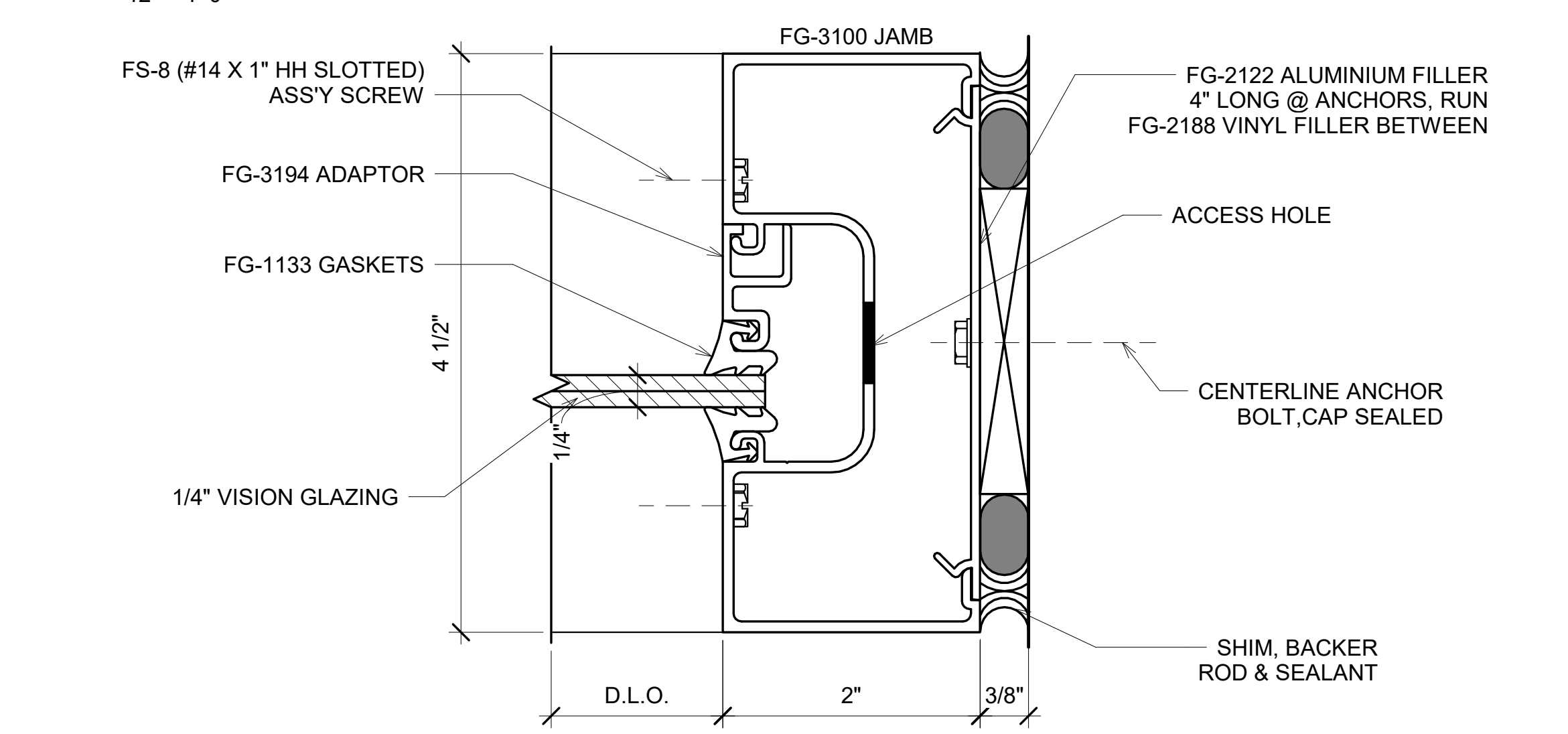
7 EXTERIOR STOREFRONT SILL DETAILS (6000)
12" = 1'-0"



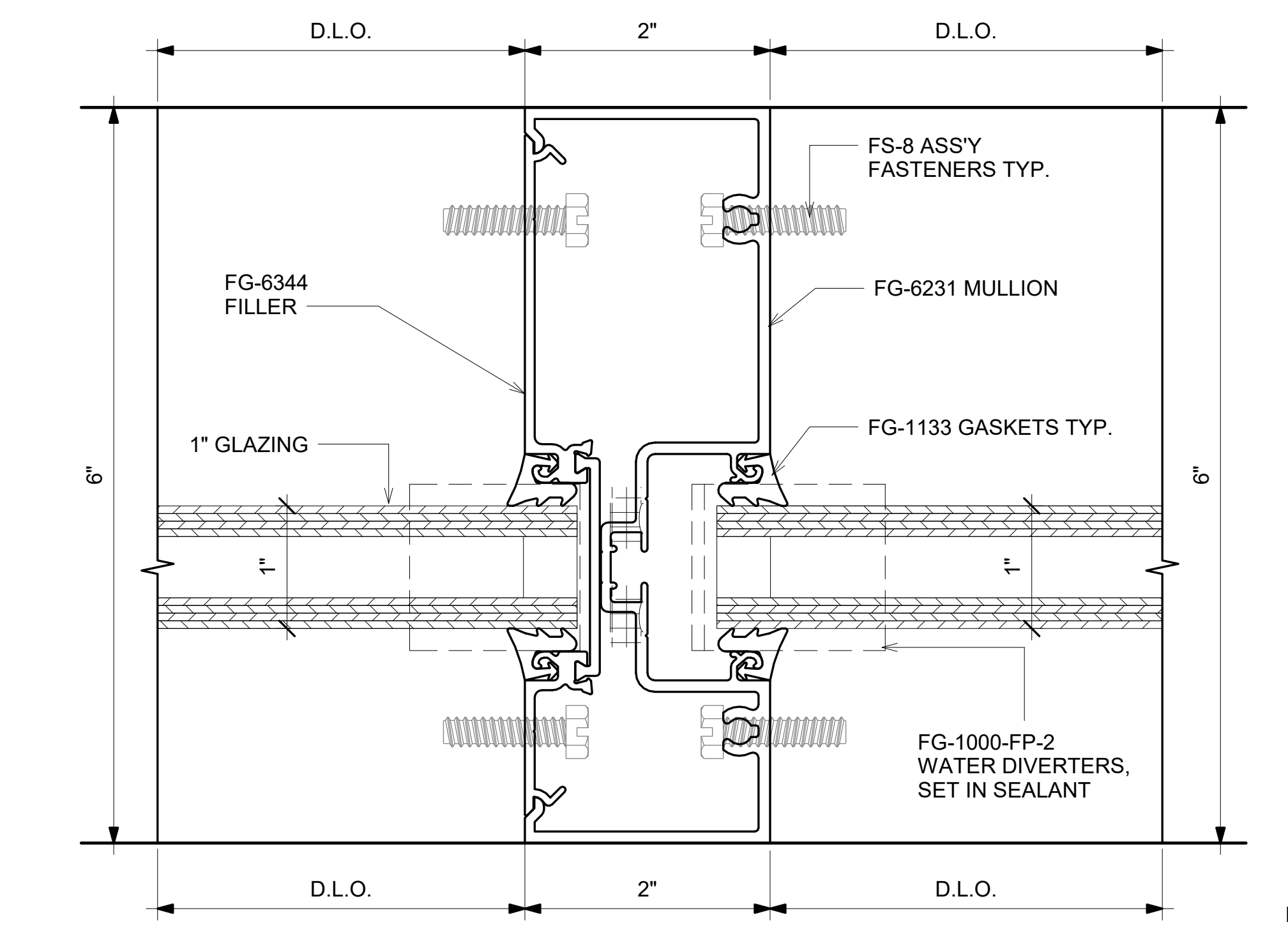
10 EXTERIOR STOREFRONT INTERMEDIATE HORIZONTAL DETAILS (6000)
12" = 1'-0"



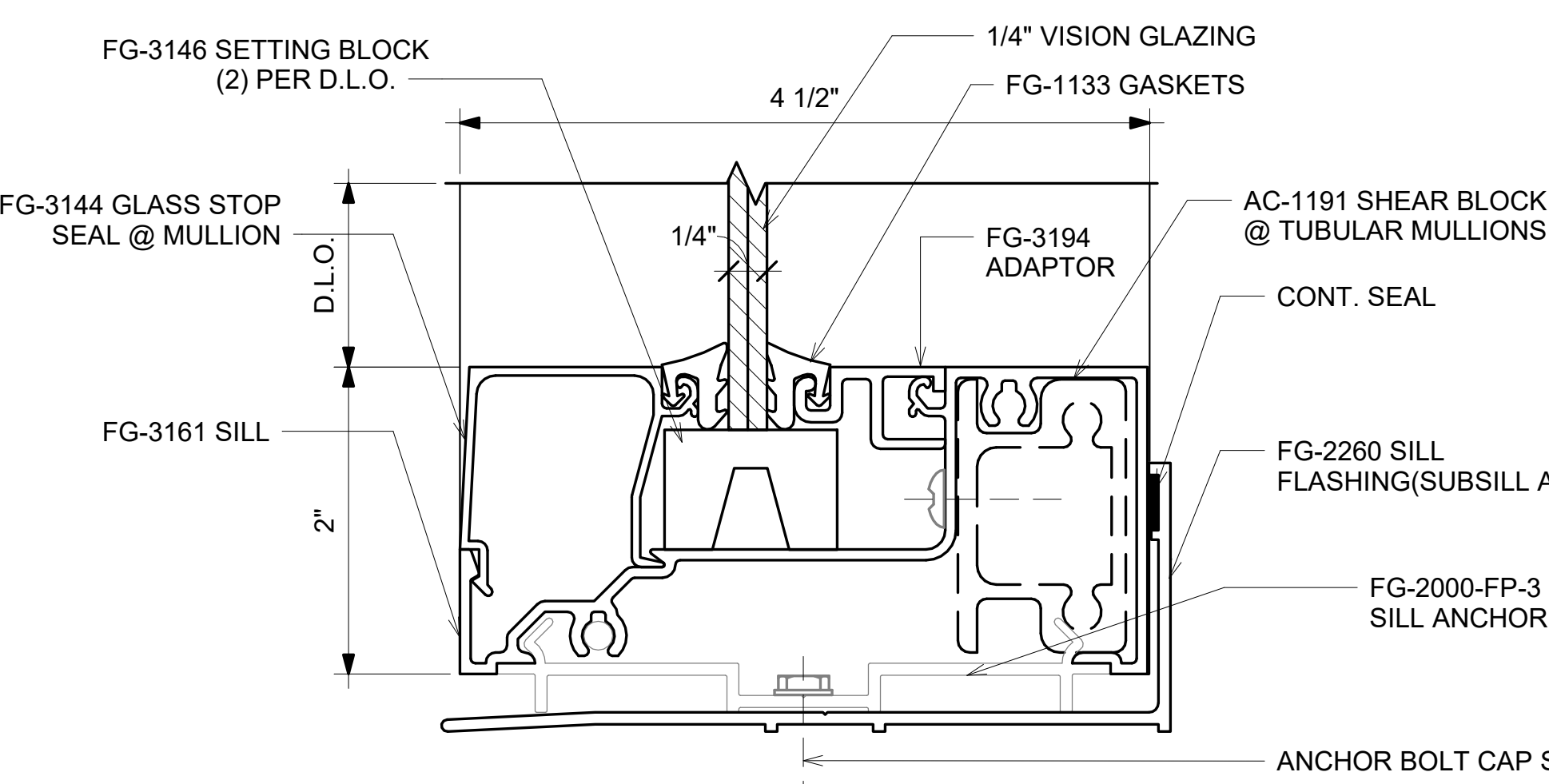
2 FG-3000 INTERIOR STOREFRONT HEAD DETAILS
12" = 1'-0"



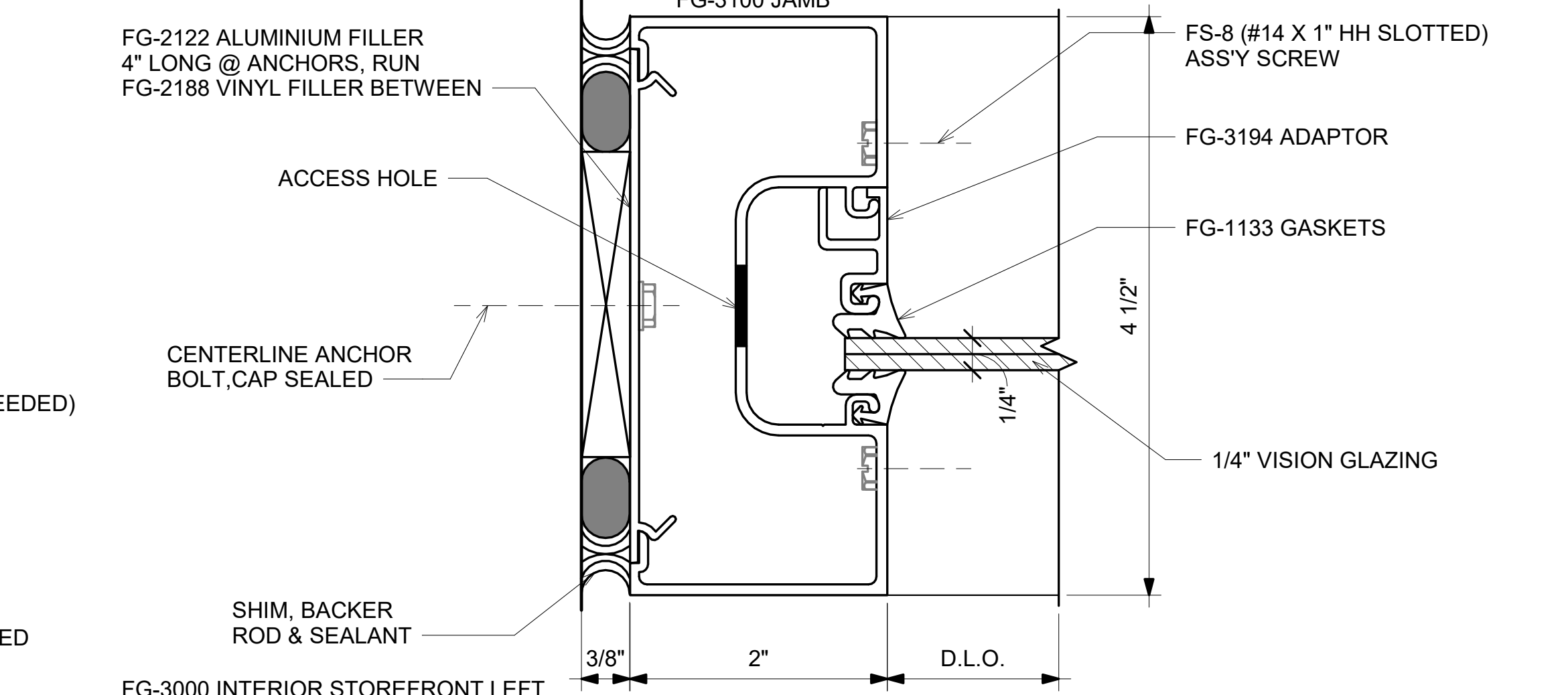
6 FG-3000 INTERIOR STOREFRONT RIGHT JAMB VERTICAL DETAILS
12" = 1'-0"



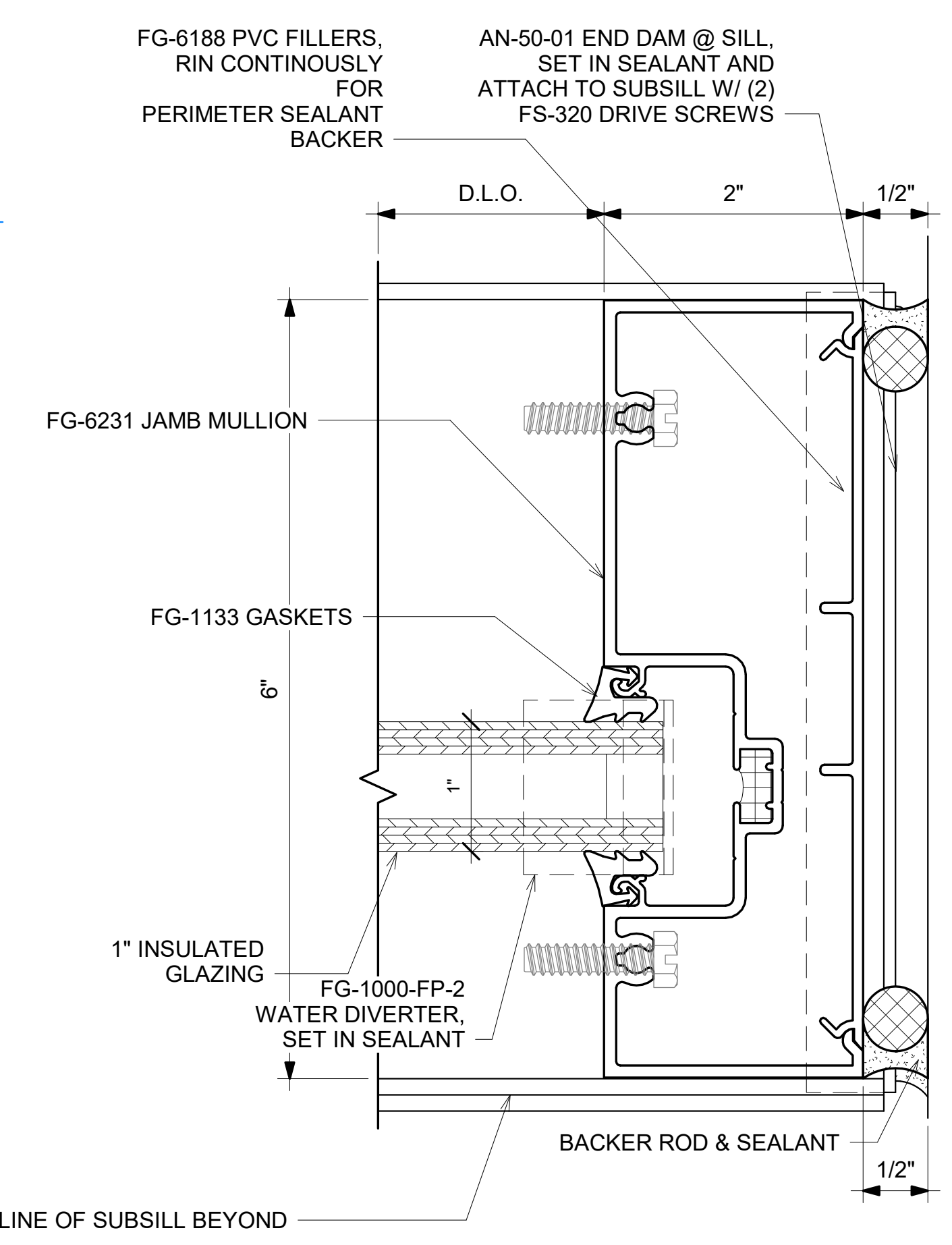
9 EXTERIOR STOREFRONT VERTICAL DETAILS (6000)
12" = 1'-0"



1 FG-3000 INTERIOR STOREFRONT SILL DETAILS
12" = 1'-0"



5 FG-3000 INTERIOR STOREFRONT LEFT JAMB VERTICAL DETAILS
12" = 1'-0"



12 EXTERIOR STOREFRONT RIGHT JAMB DETAILS (6000)
12" = 1'-0"

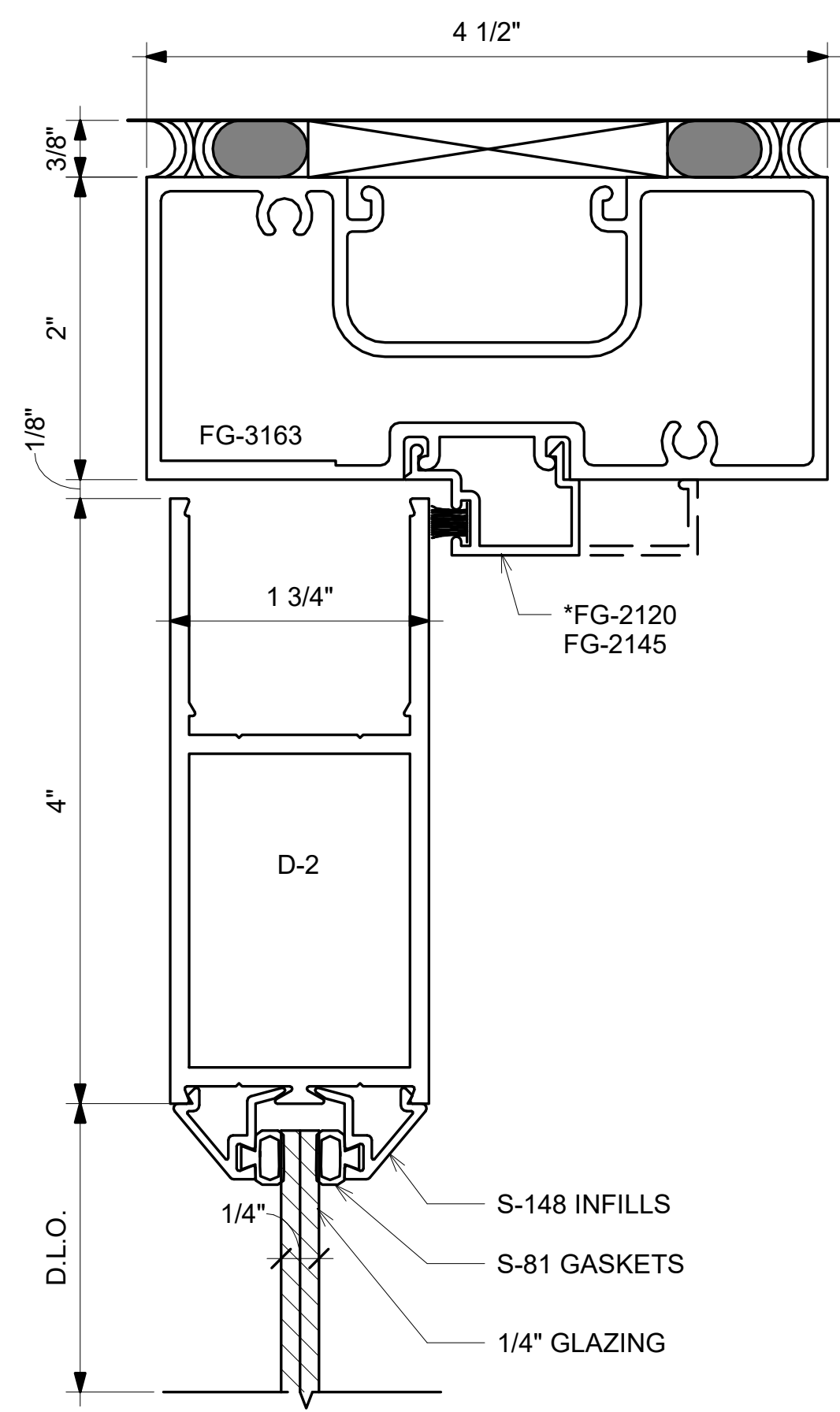
BIM ARCHITECTS AND ENGINEERS
SIMSONA CORP.
 1451 Rockville Pike, Suite #250,
 Rockville, MD 20850
 Phone : 301-408-8553
 Email: raj@simsona.com
 www.simsonacadd.com

PROJECT NAME
DALLAS HARRIS ELEMENTARY SCHOOL
3302 SOUTH BARNESIDE WAY

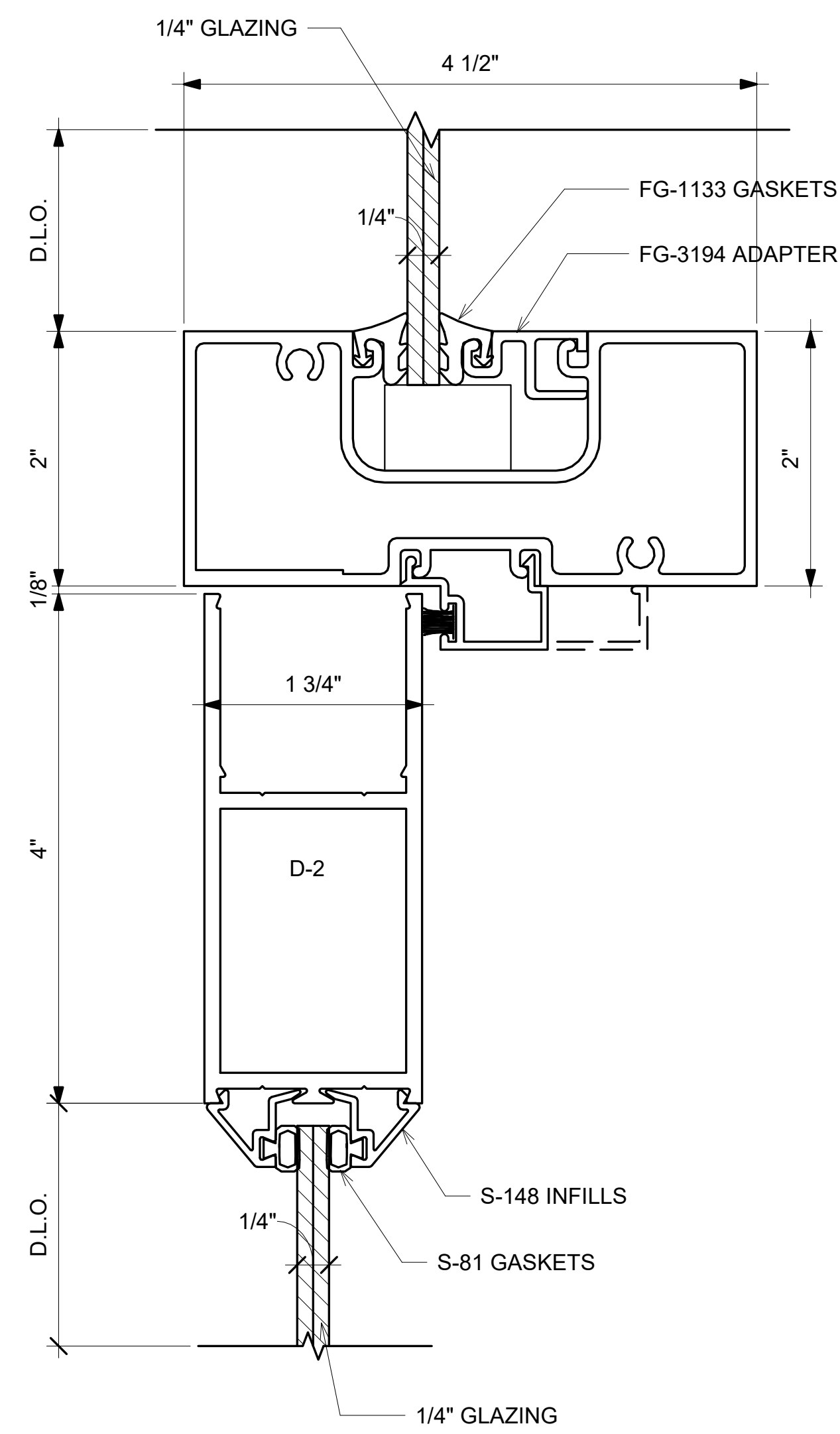
Revision Schedule		
Revision Number	Revision Description	Revision Date

TYPICAL DETAILS- OBE
FG-3000/6000 SERIES

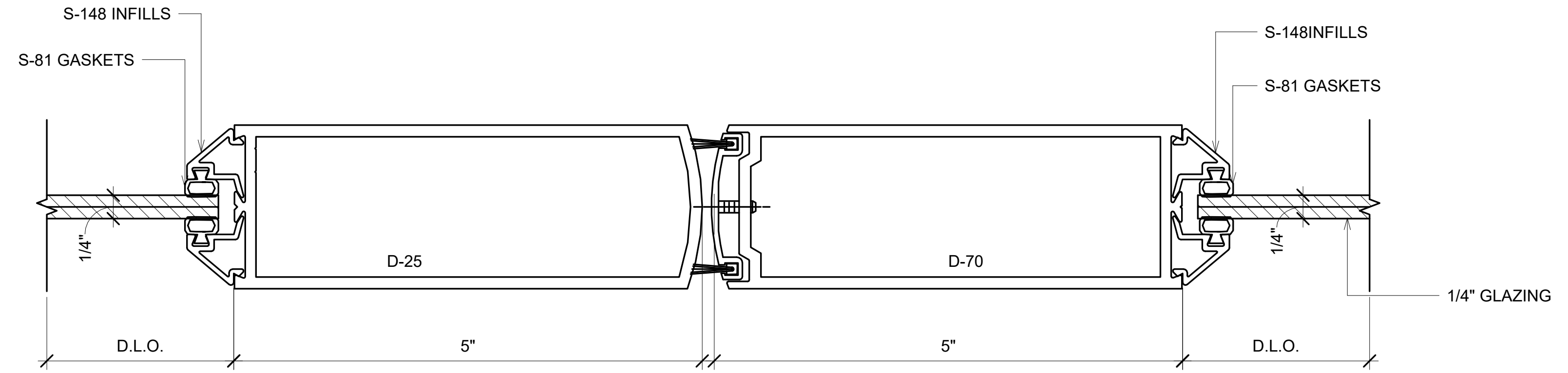
PROJECT NUMBER	SIM-44	SD-300
DATE	06/23/2022	
Drawn by	AG,AY,SS	SCALE- 12" = 1'-0"
Checked by	AG,AY,SS,AP	



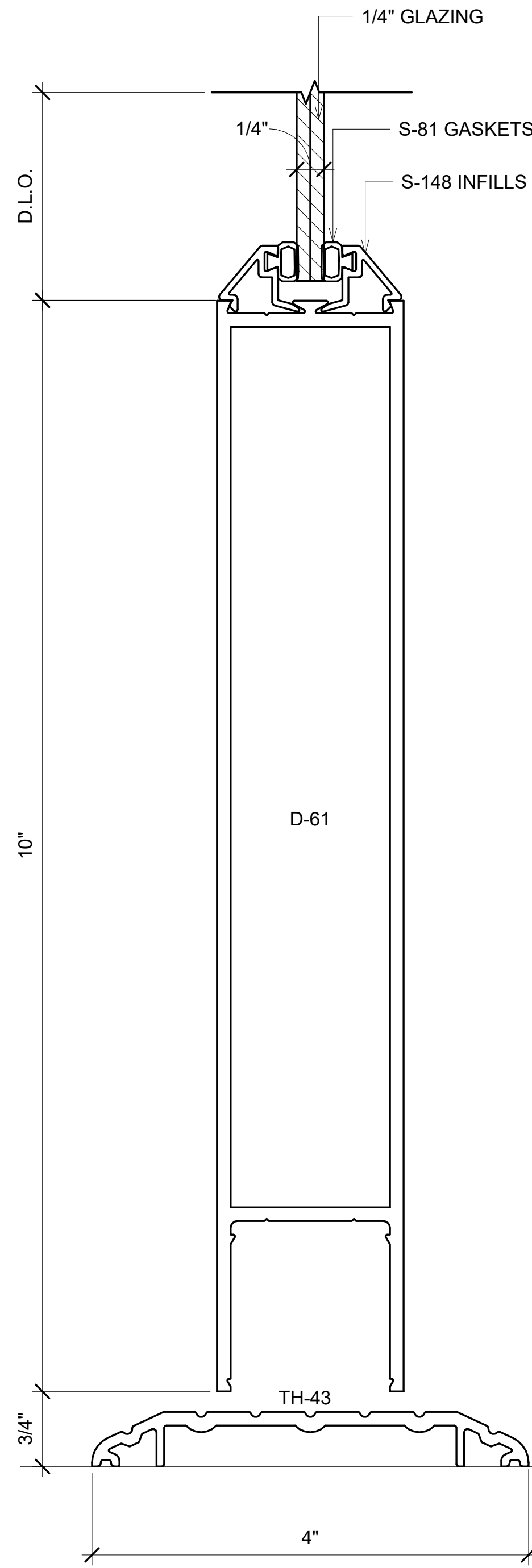
2 FG-3000 INTERIOR DOOR TOP RAIL
DETAILS
12" = 1'-0"



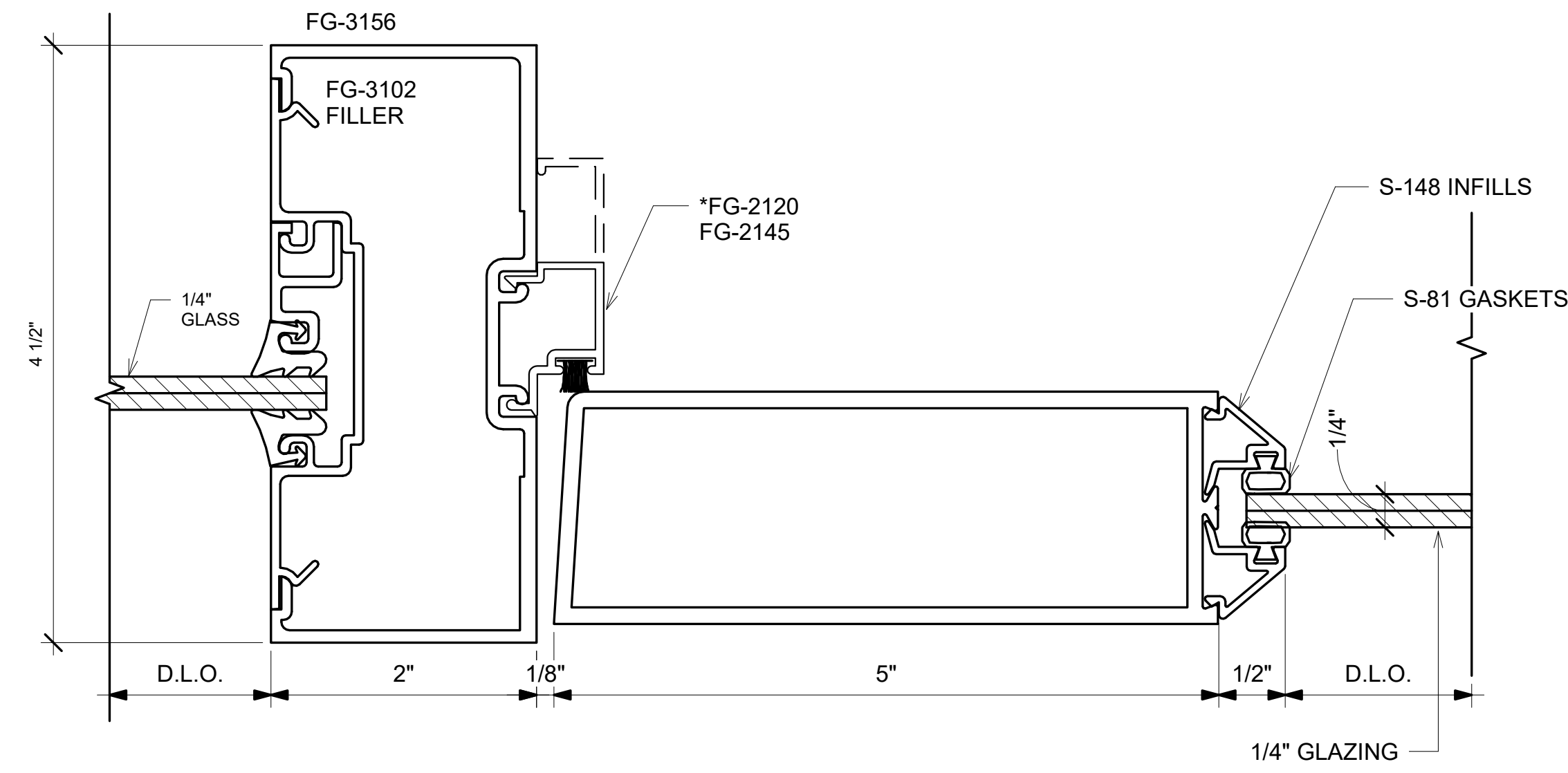
5 FG-3000 INTERIOR DOOR TRANSOM
HEAD DETAILS
12" = 1'-0"



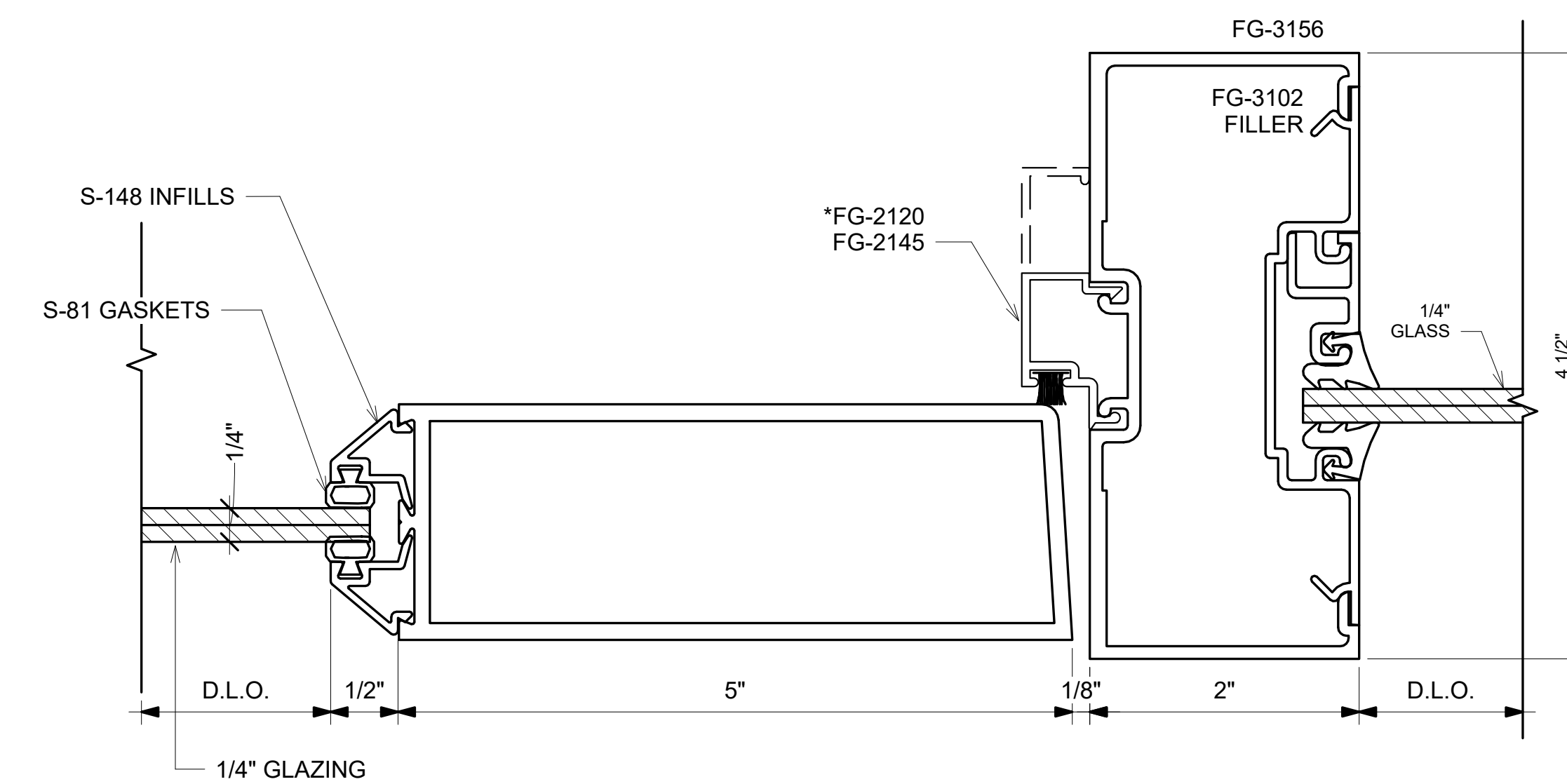
8 FG-3000 INTERIOR DOUBLE DOOR
DETAILS
12" = 1'-0"



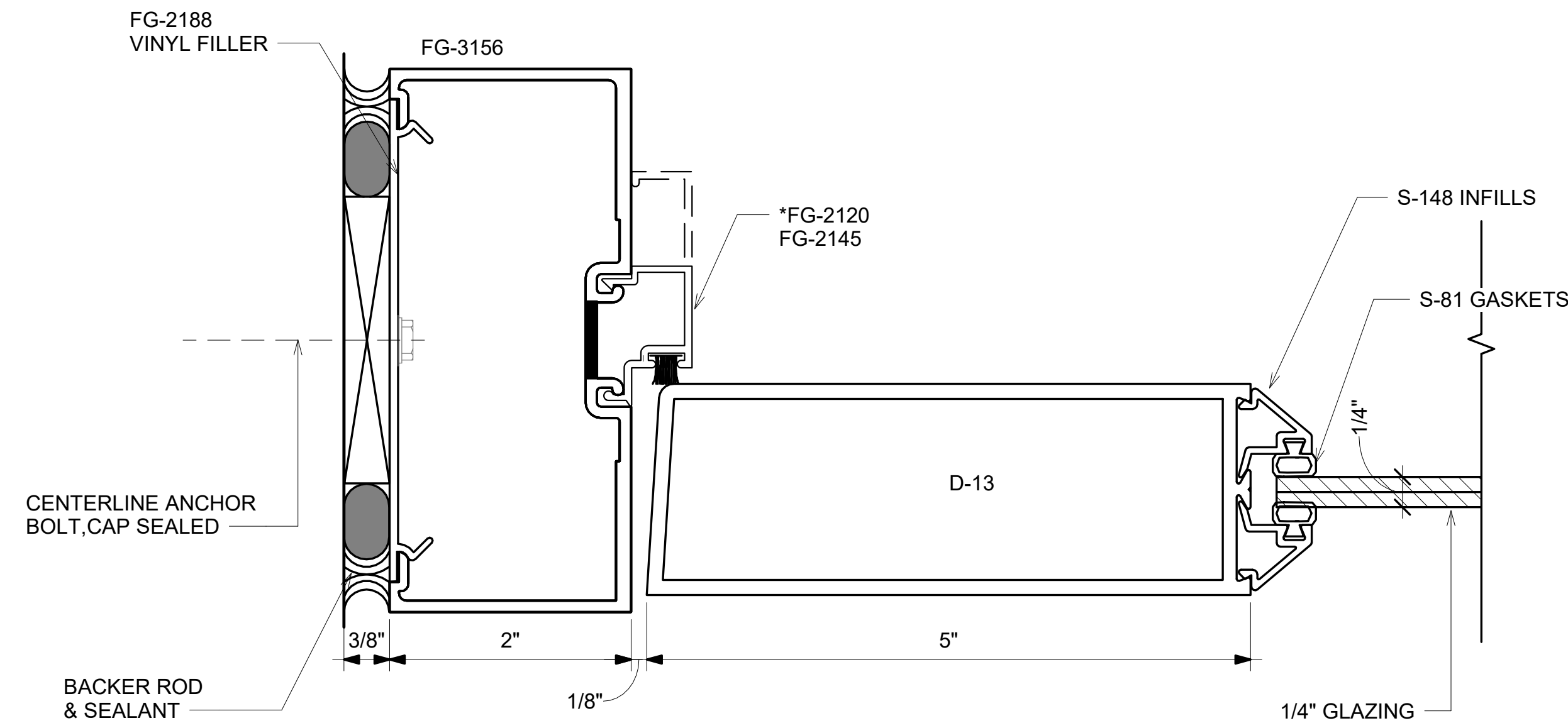
1 FG-3000 INTERIOR DOOR BOTTOM RAIL
DETAILS
12" = 1'-0"



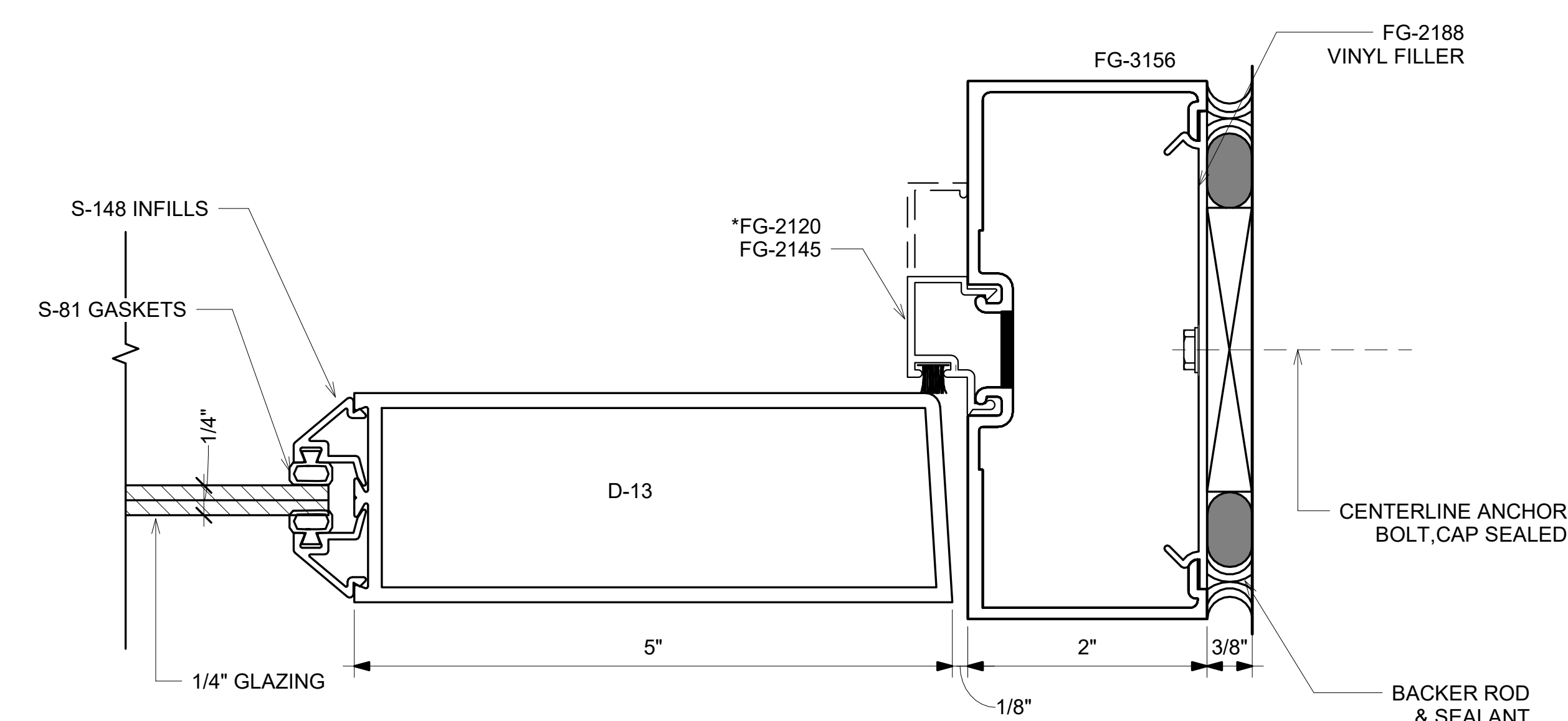
4 FG-3000 INTERIOR LEFT DOOR JAMB
DETAILS @ GLAZING
12" = 1'-0"



7 FG-3000 INTERIOR RIGHT DOOR JAMB
DETAILS @ GLAZING
12" = 1'-0"

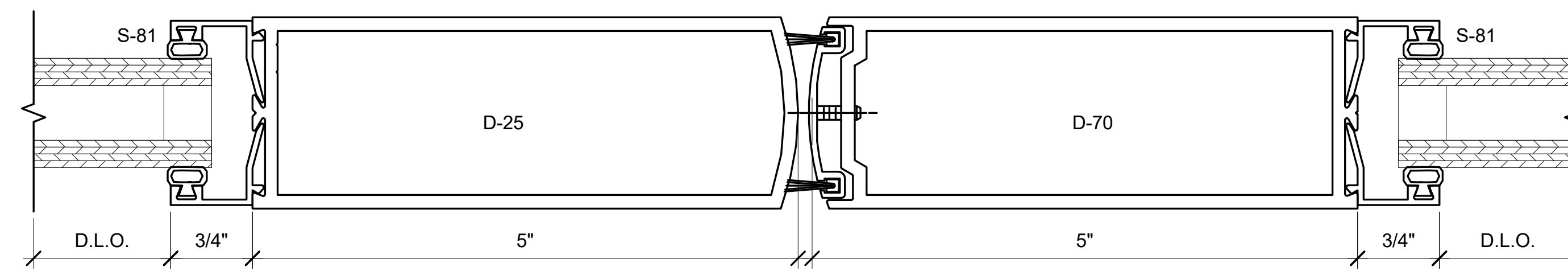
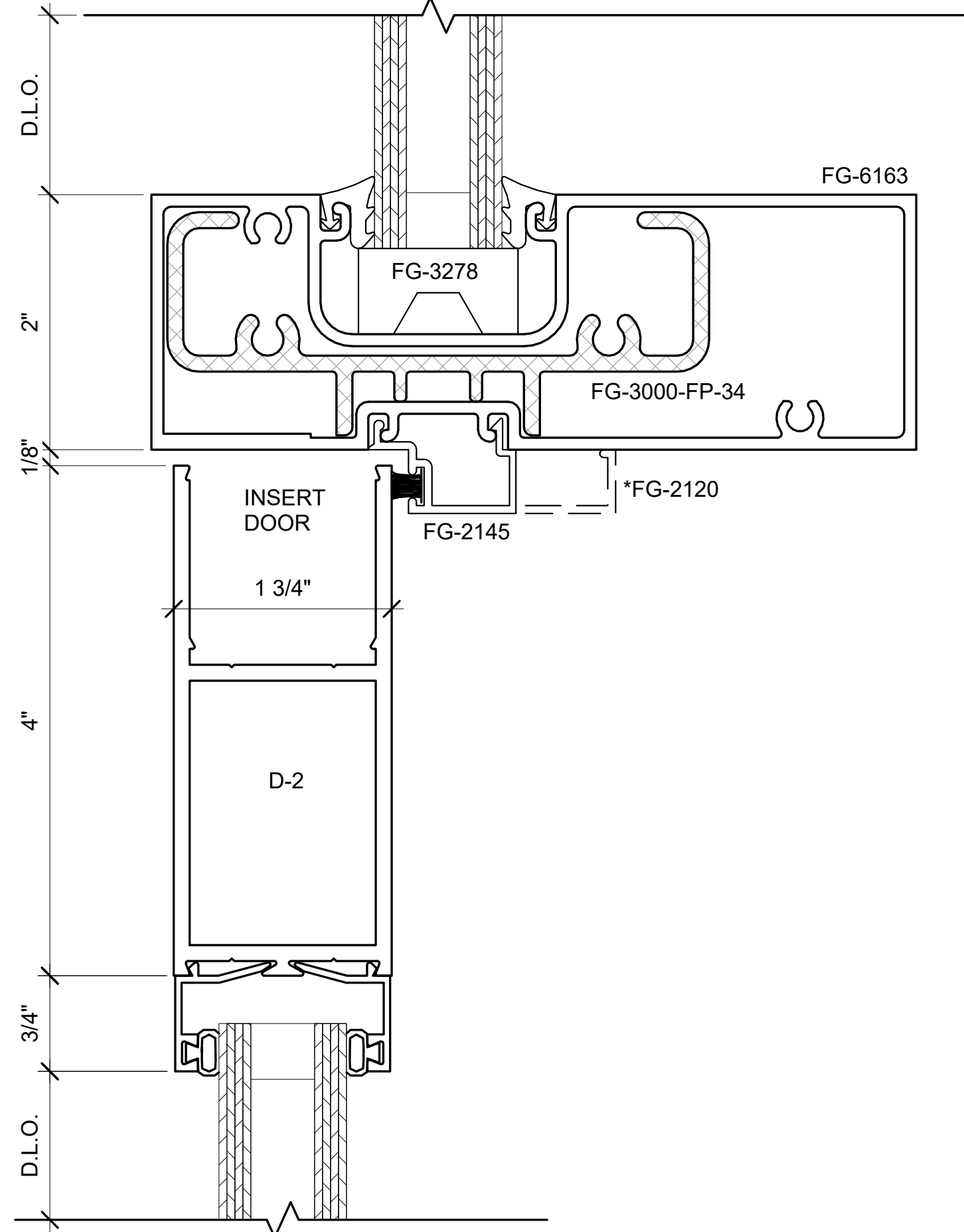
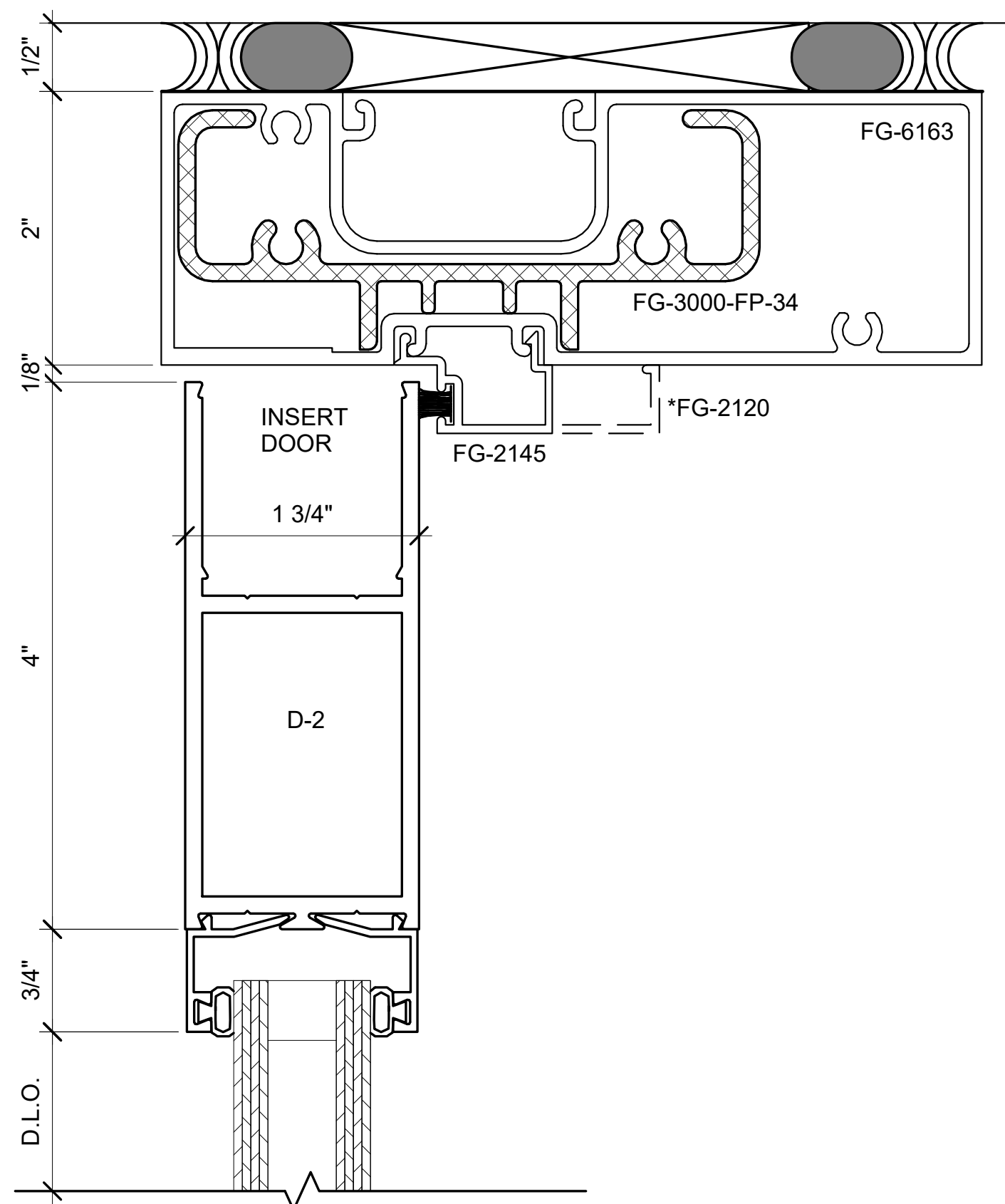


3 FG-3000 INTERIOR DOOR LEFT JAMB
DETAILS
12" = 1'-0"



6 FG-3000 INTERIOR DOOR RIGHT JAMB
DETAILS
12" = 1'-0"

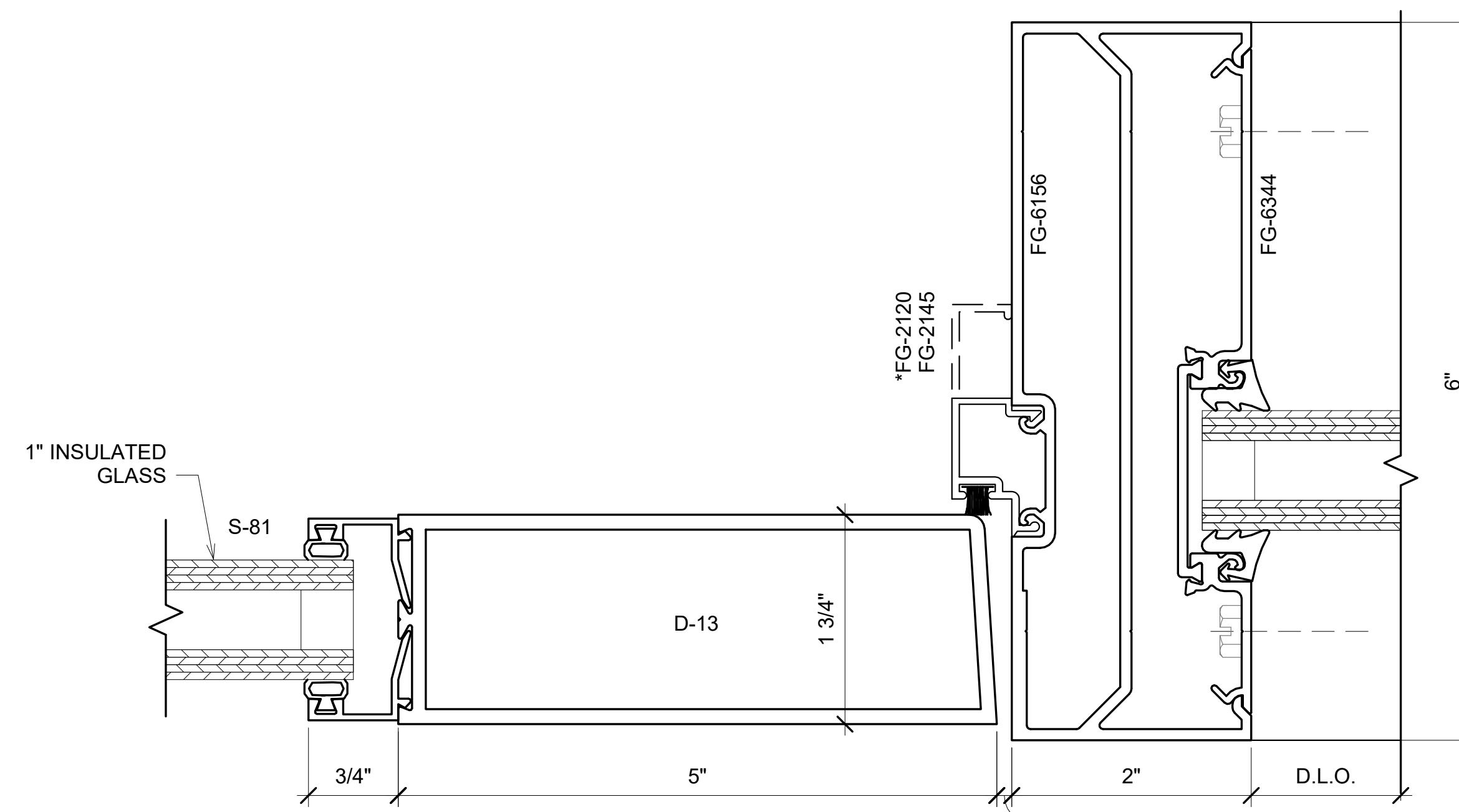
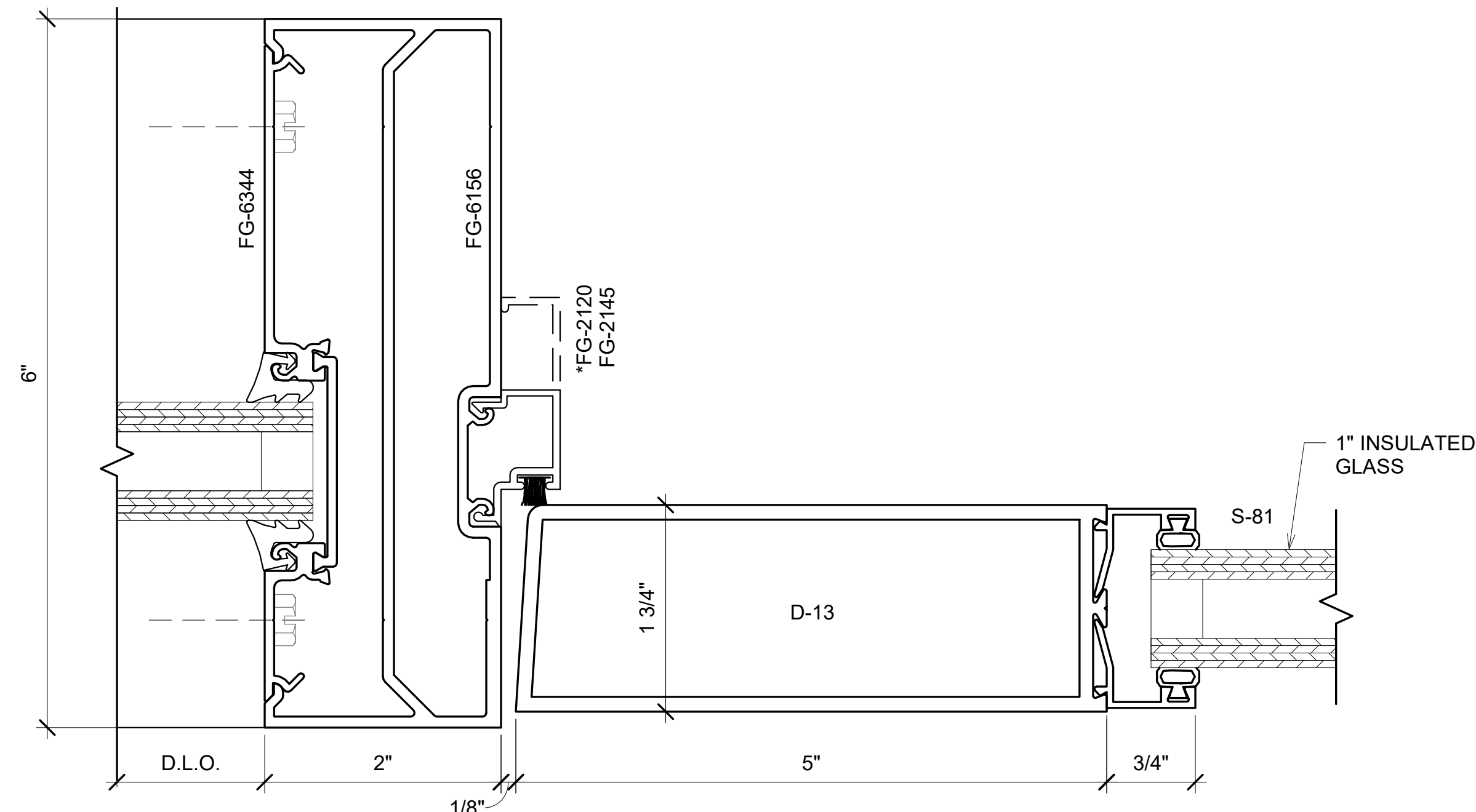
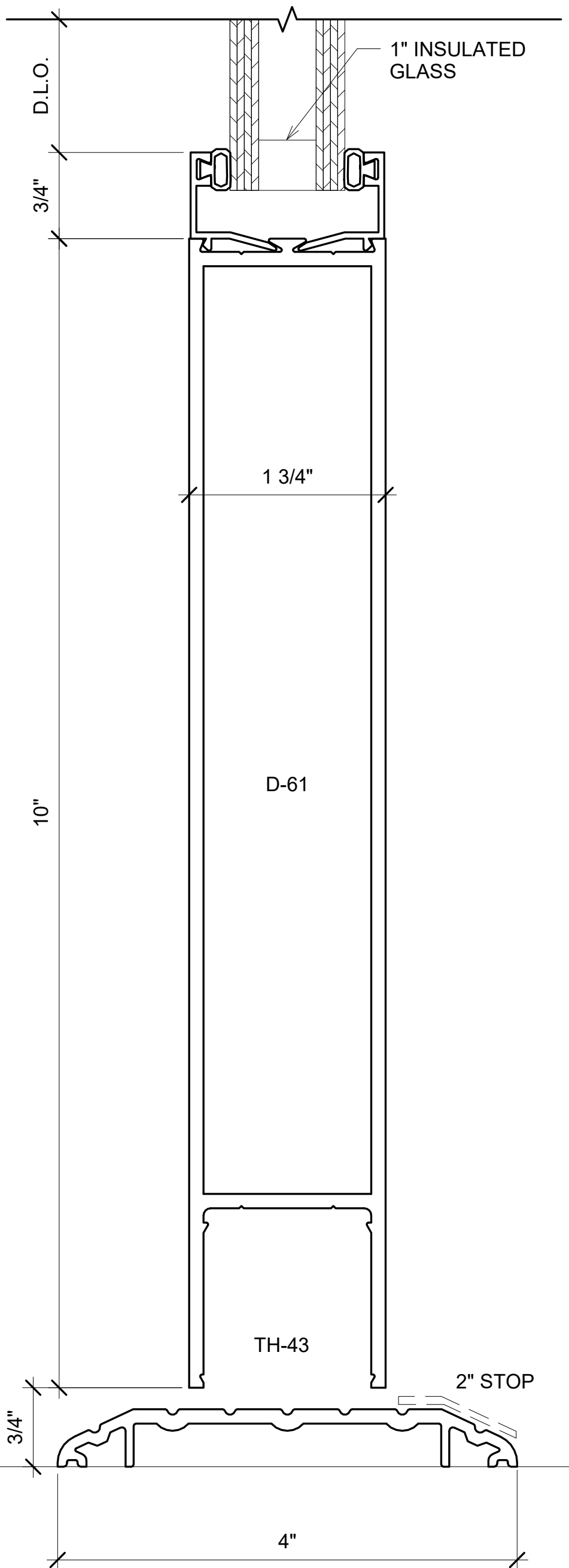
Revision Schedule		
Revision Number	Revision Description	Revision Date



2 FG-6000 DOOR HEAD DETAIL
12" = 1'-0"

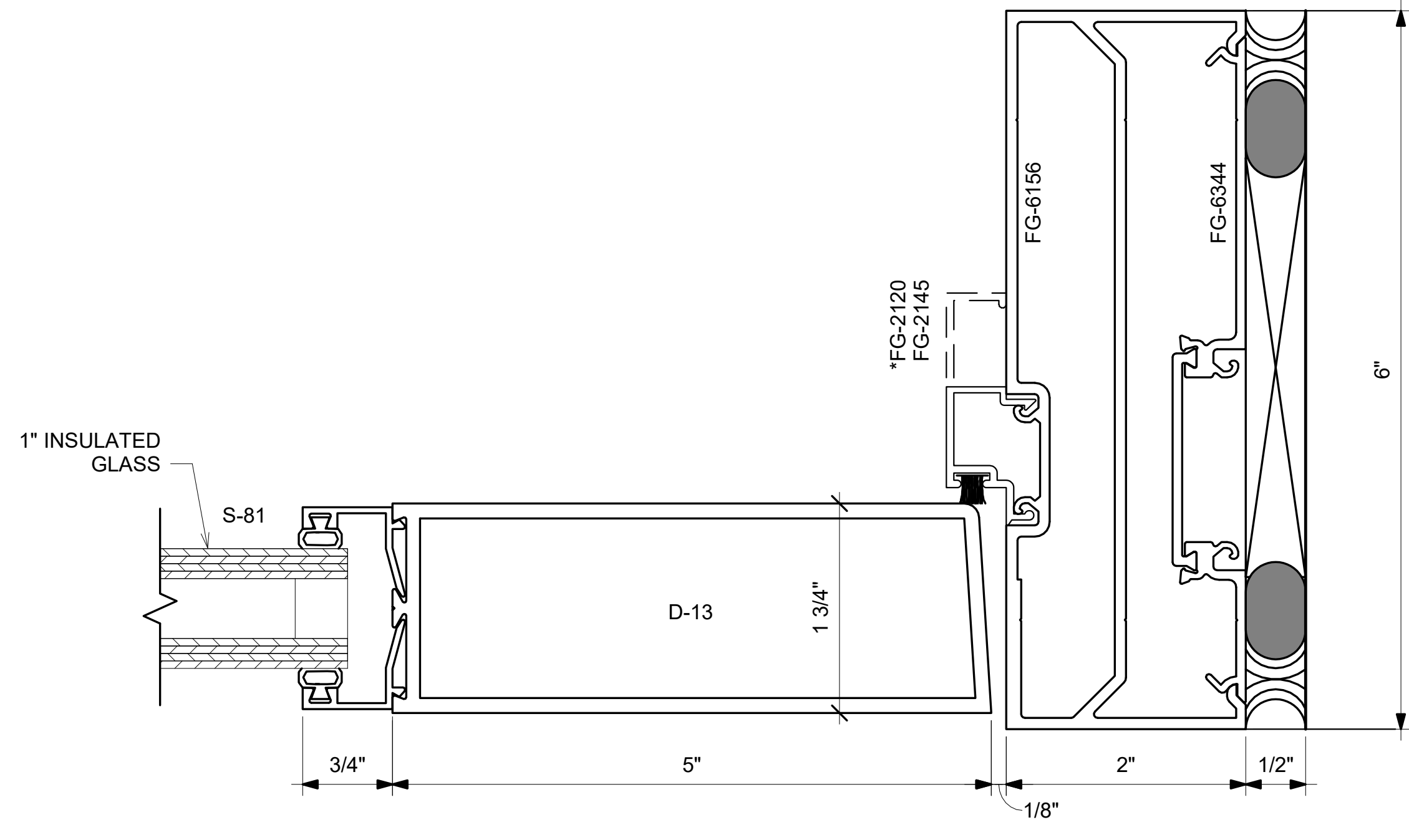
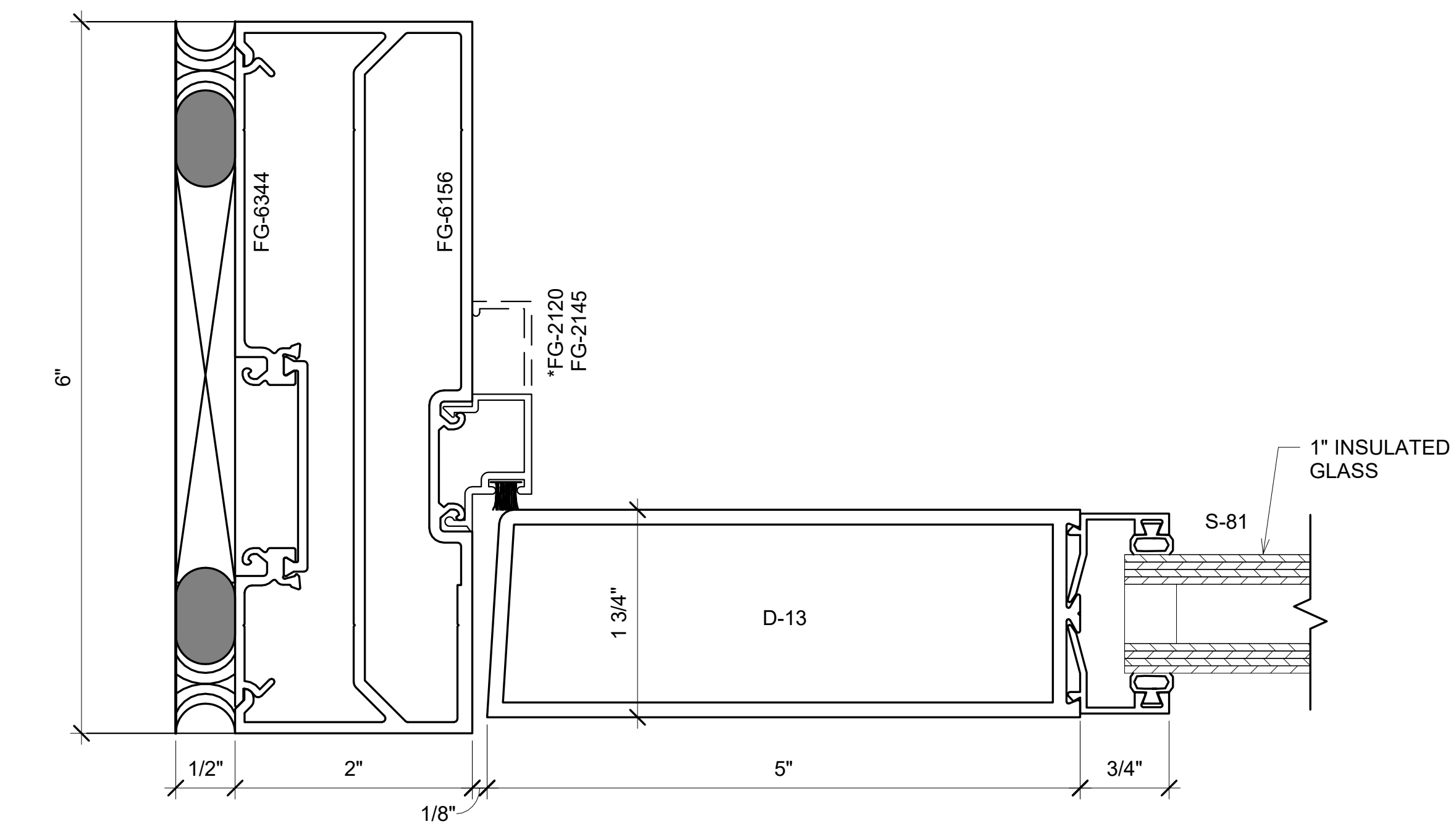
5 FG-6000 DOOR SURFACE CLOSER
DETAIL
12" = 1'-0"

8 FG-6000 DOUBLE DOOR DETAILS
12" = 1'-0"



4 FG-6000 LEFT DOOR JAMB DETAIL@
GLAZING
12" = 1'-0"

7 FG-6000 RIGHT DOOR JAMB DETAIL@
GLAZING
12" = 1'-0"



3 FG-6000 DOOR LEFT DOOR JAMB
DETAILS
12" = 1'-0"

6 FG-6000 DOOR RIGHT DOOR JAMB
DETAILS
12" = 1'-0"

1 FG-6000 DOOR BOTTOM RAIL DETAILS
12" = 1'-0"

BIM ARCHITECTS AND ENGINEERS
SIMSONA CORP.
1451 Rockville Pike, Suite #250,
Rockville, MD 20850
Phone : 301-408-8553
Email: raj@simsona.com
www.simsonacadd.com

PROJECT NAME
DALLAS HARRIS ELEMENTARY SCHOOL
3302 SOUTH BARNSIDE WAY

Revision Schedule		
Revision Number	Revision Description	Revision Date

**TYPICAL DETAILS- EXTERIOR
OBE 500 WIDE STILE DOOR**

PROJECT NUMBER SIM-44

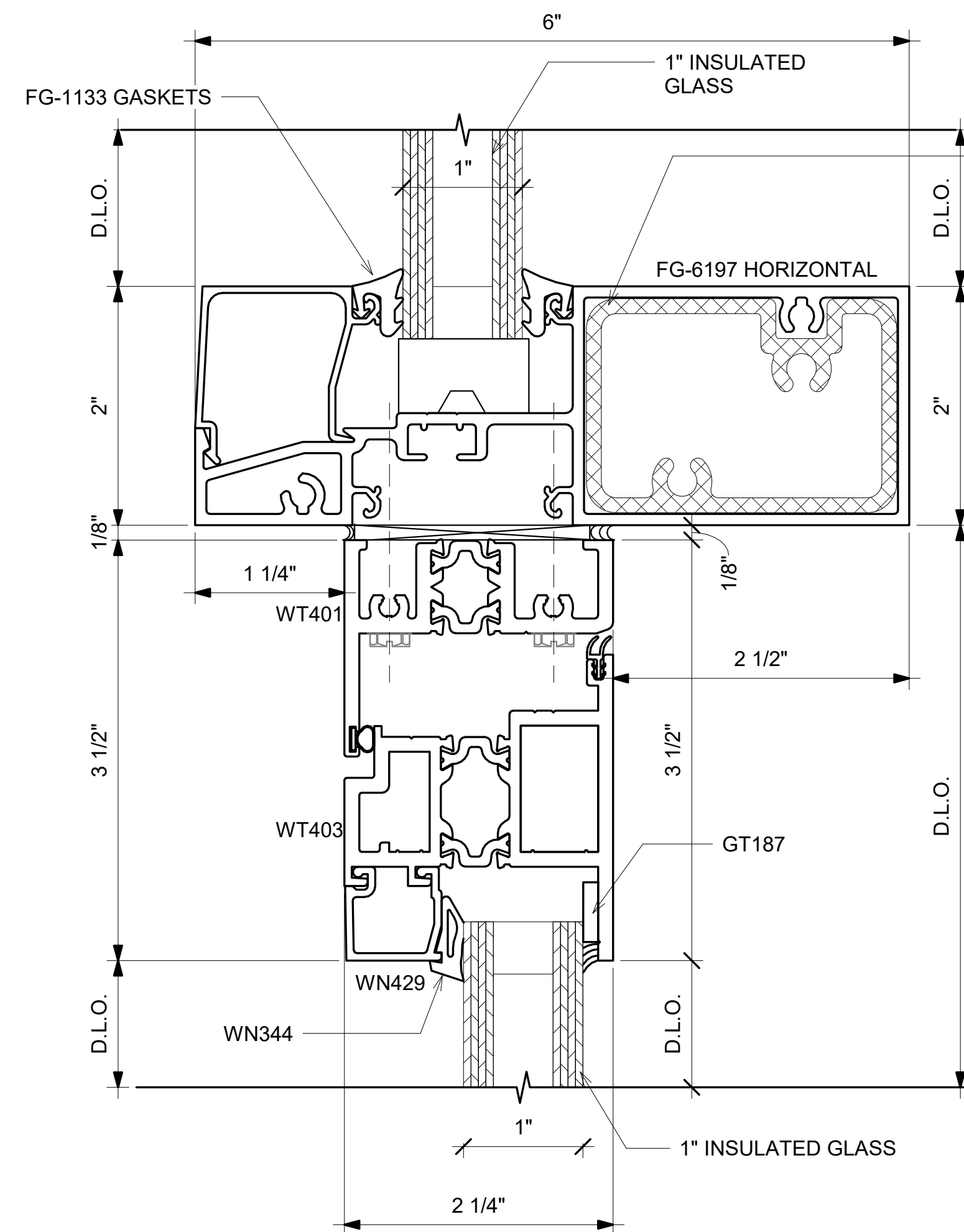
DATE 06/23/2022

Drawn by AG,AY,SS

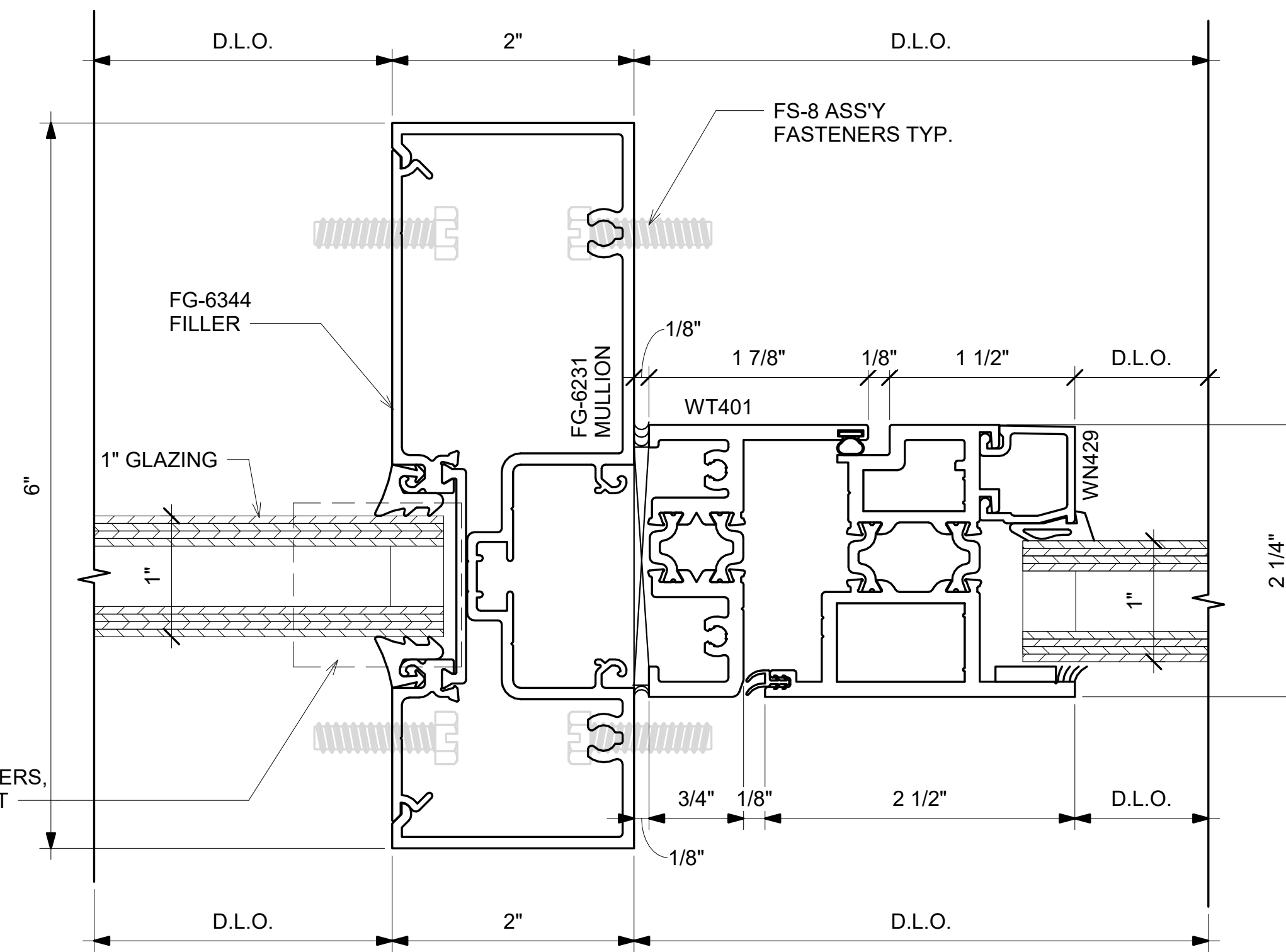
Checked by AG,AY,SS,AP

SD-302

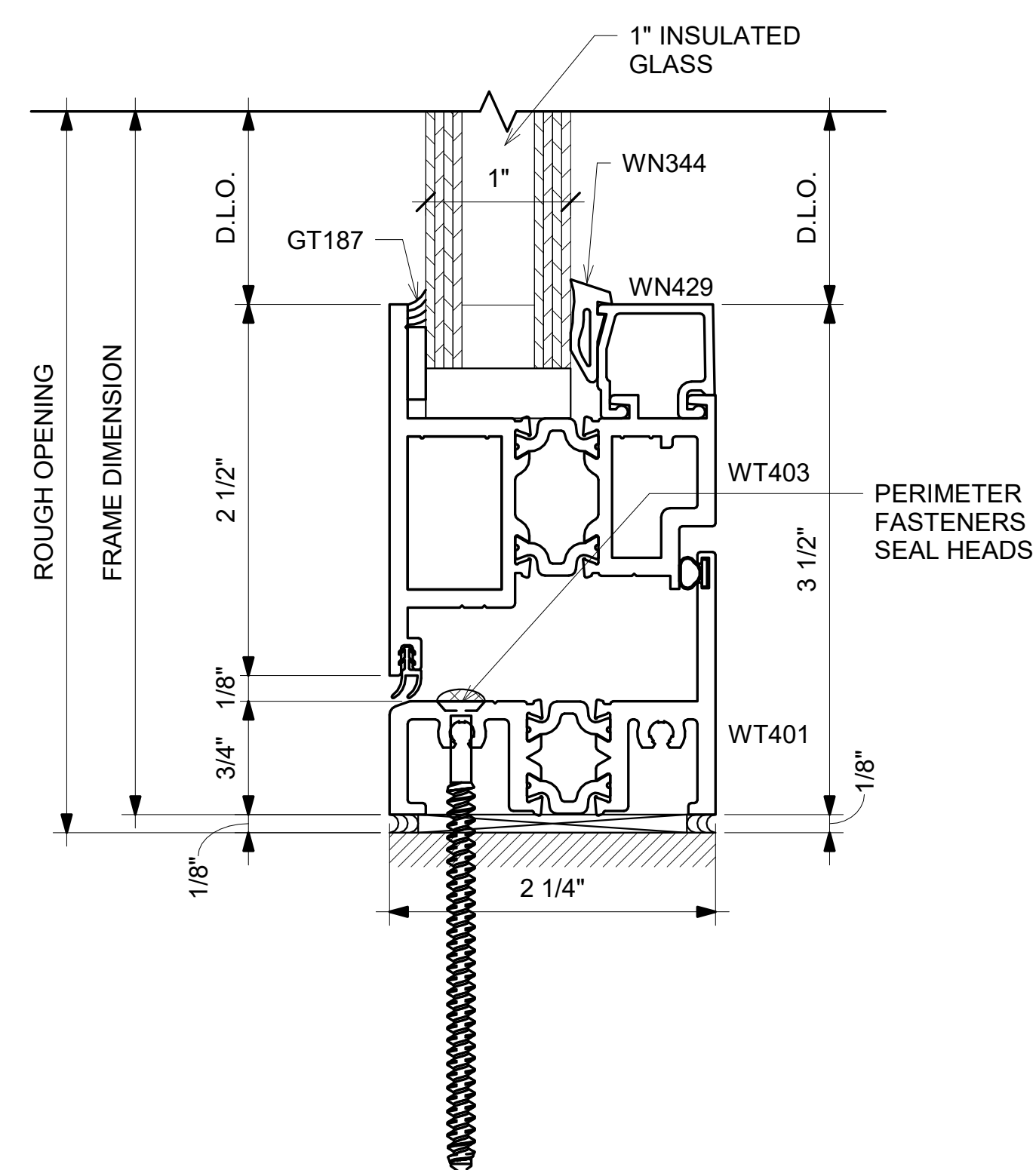
SCALE- 12" = 1'-0"



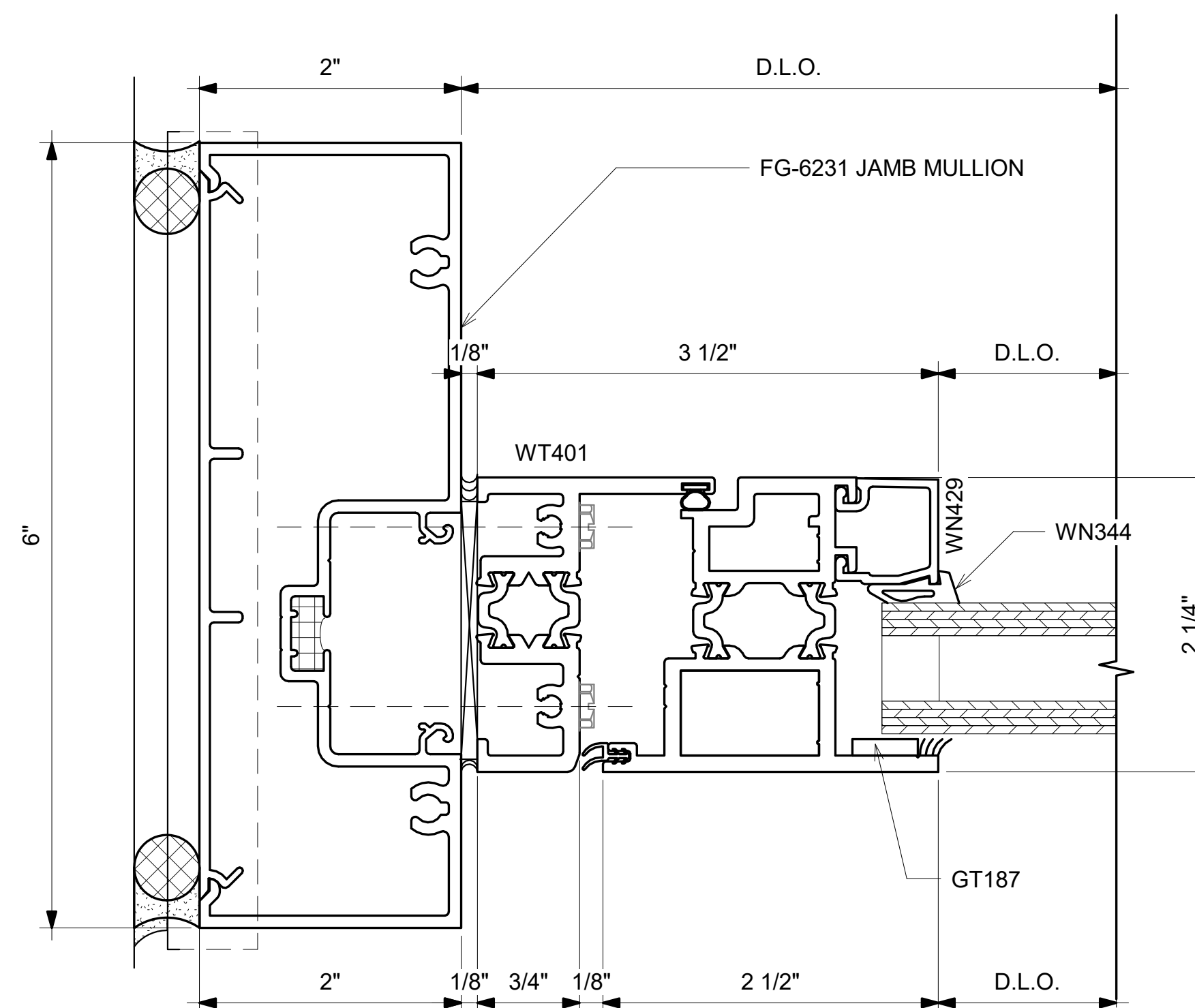
FG-6527-01 SHEAR BLOCK, USAGE DETERMINED PER VERTICAL REQUIREMENT



④ USALUM 7400 JAMB DETAIL@ VERTICAL MULLION 12" = 1'-0"



PERIMETER FASTENERS SEAL HEADS



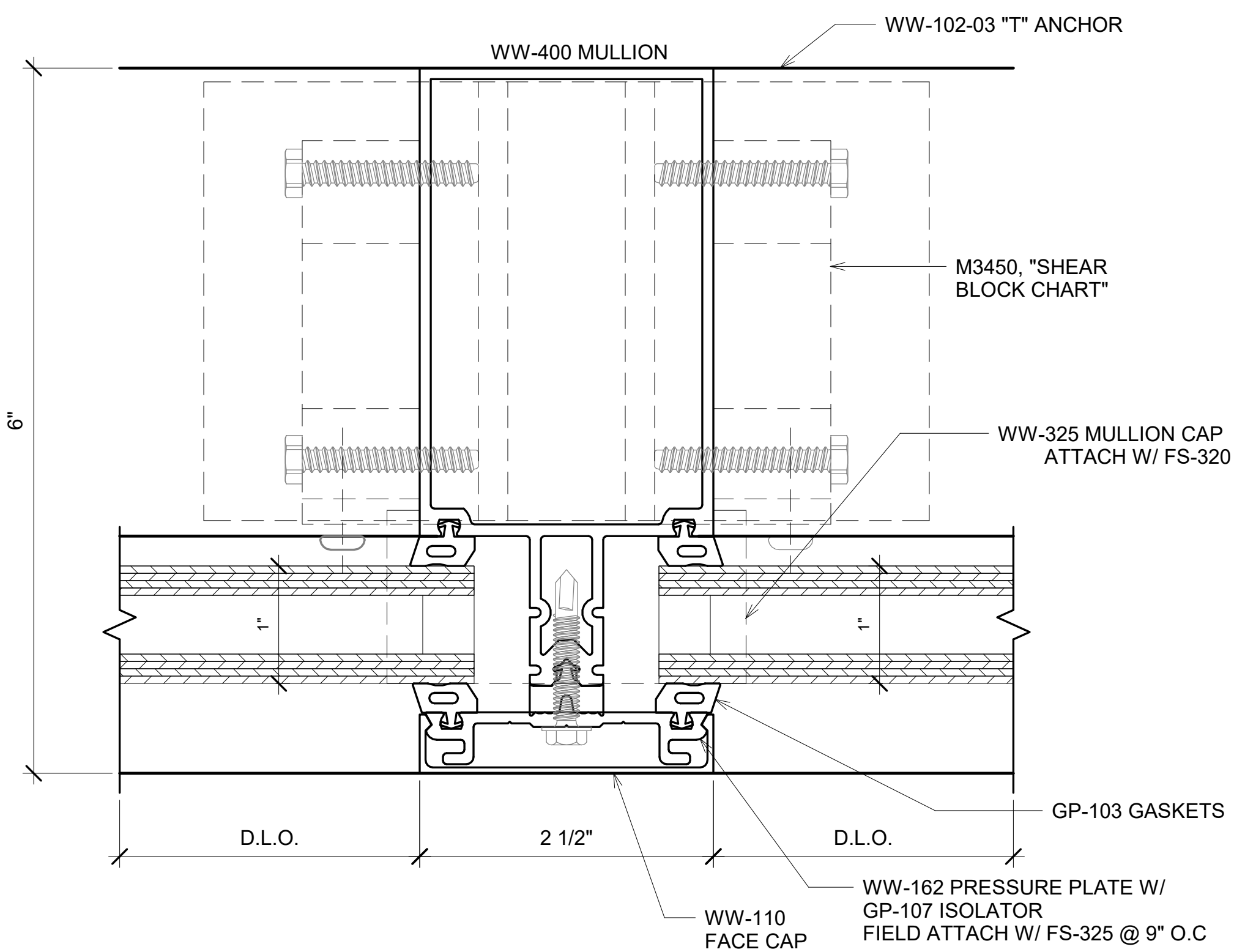
③ USALUM 7400 @JAMB MULLION 12" = 1'-0"

② USALUM 7400 HEAD DETAIL@ HORIZONTAL MULLION 12" = 1'-0"

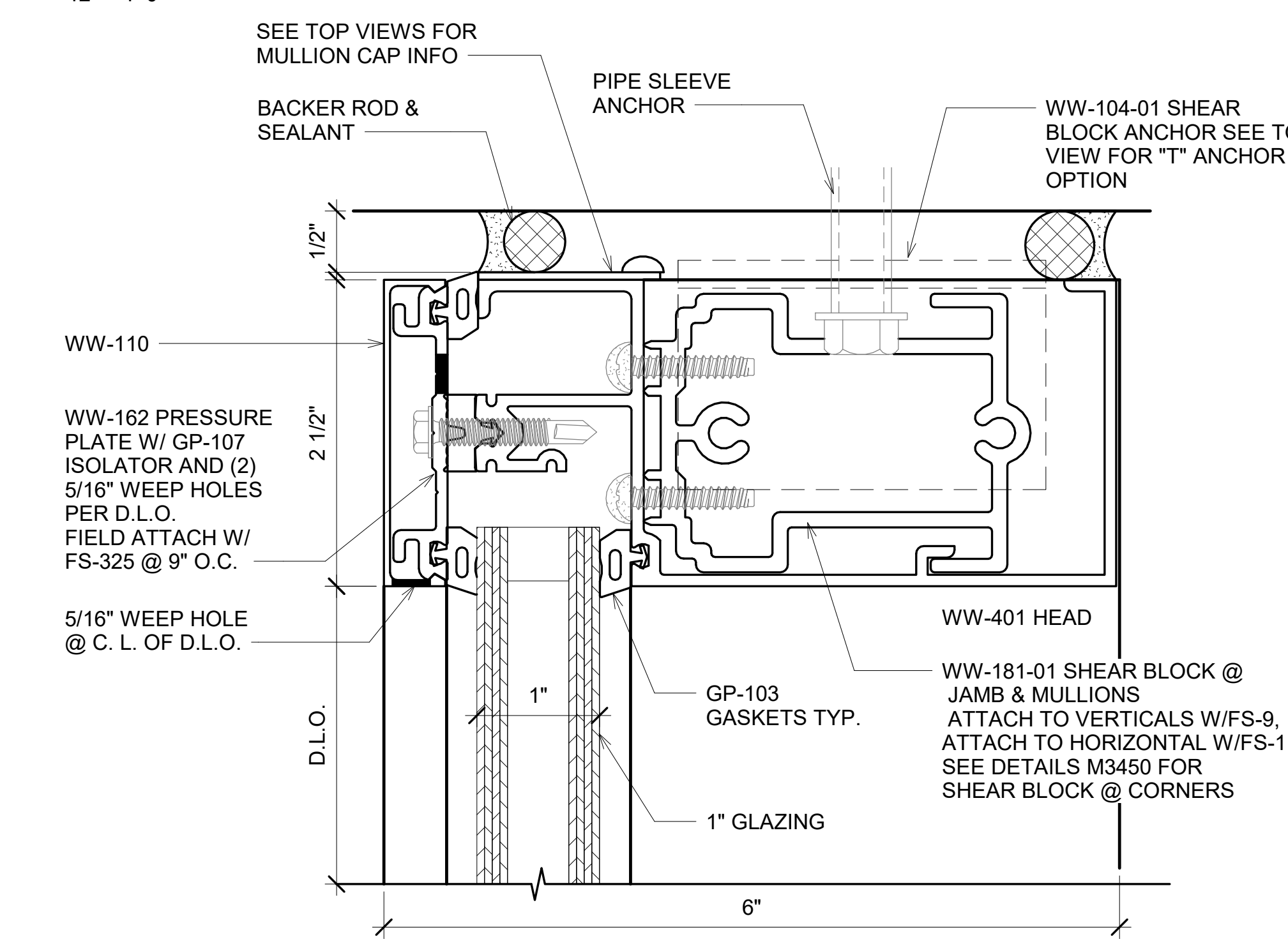
① USALUM 7400 SILL DETAIL 12" = 1'-0"

Revision Schedule		
Revision Number	Revision Description	Revision Date

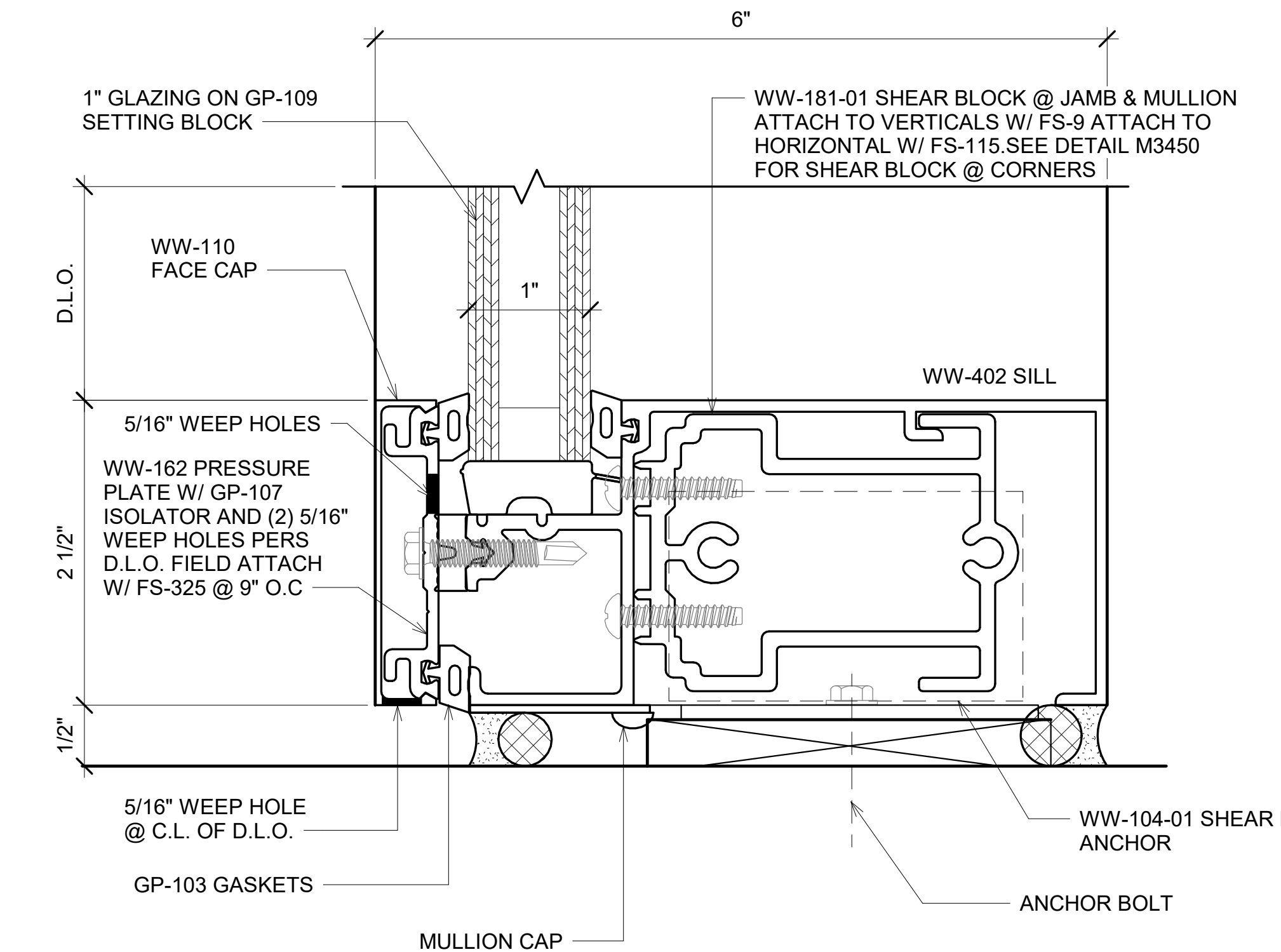
PROJECT NUMBER SIM-44	SD-303
DATE 06/23/2022	
Drawn by AG,AY,SS	SCALE- 12" = 1'-0"
Checked by AG,AY,SS,AP	



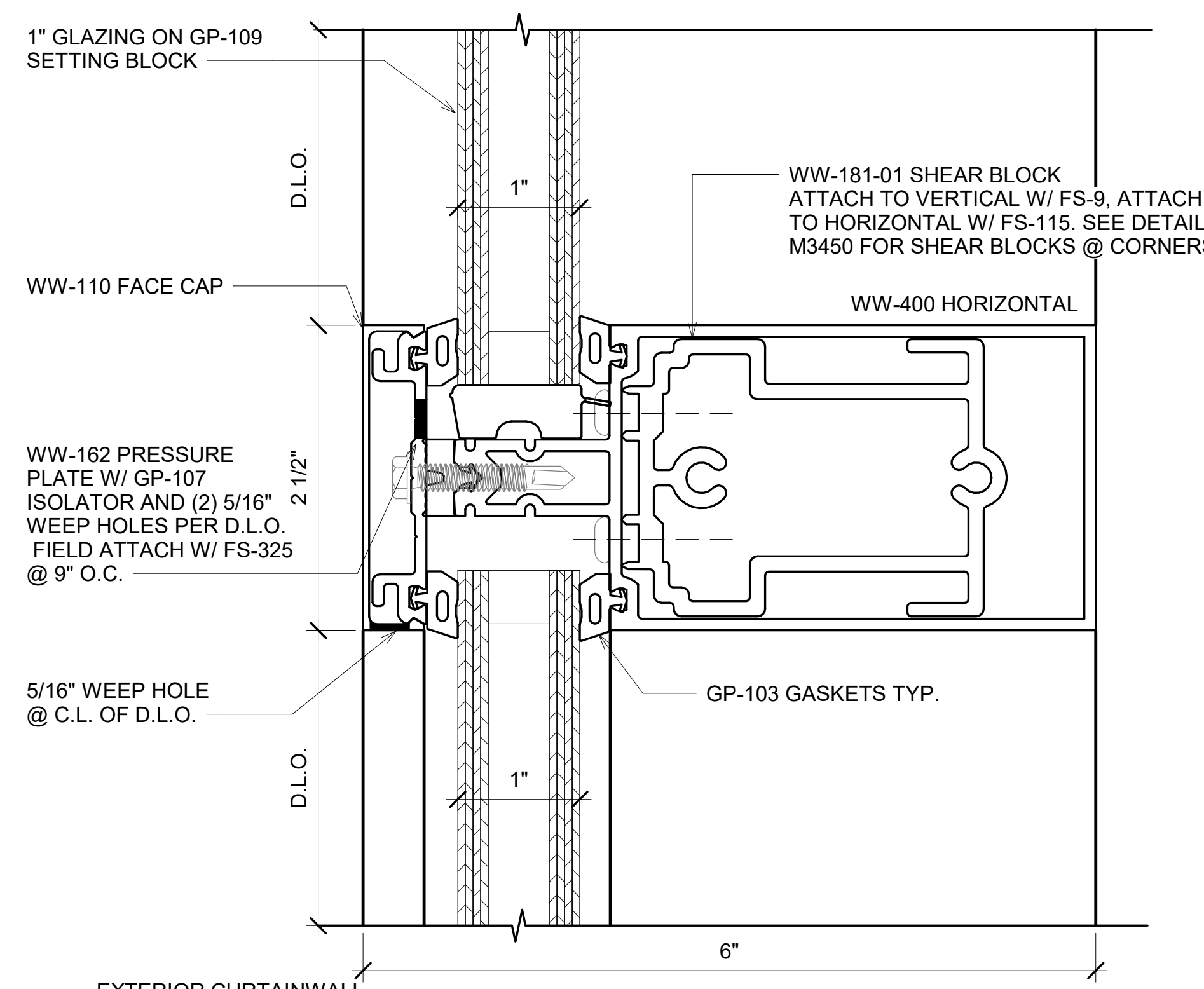
3 EXTERIOR CURTAINWALL TYP. VERTICAL DETAILS
12" = 1'-0"



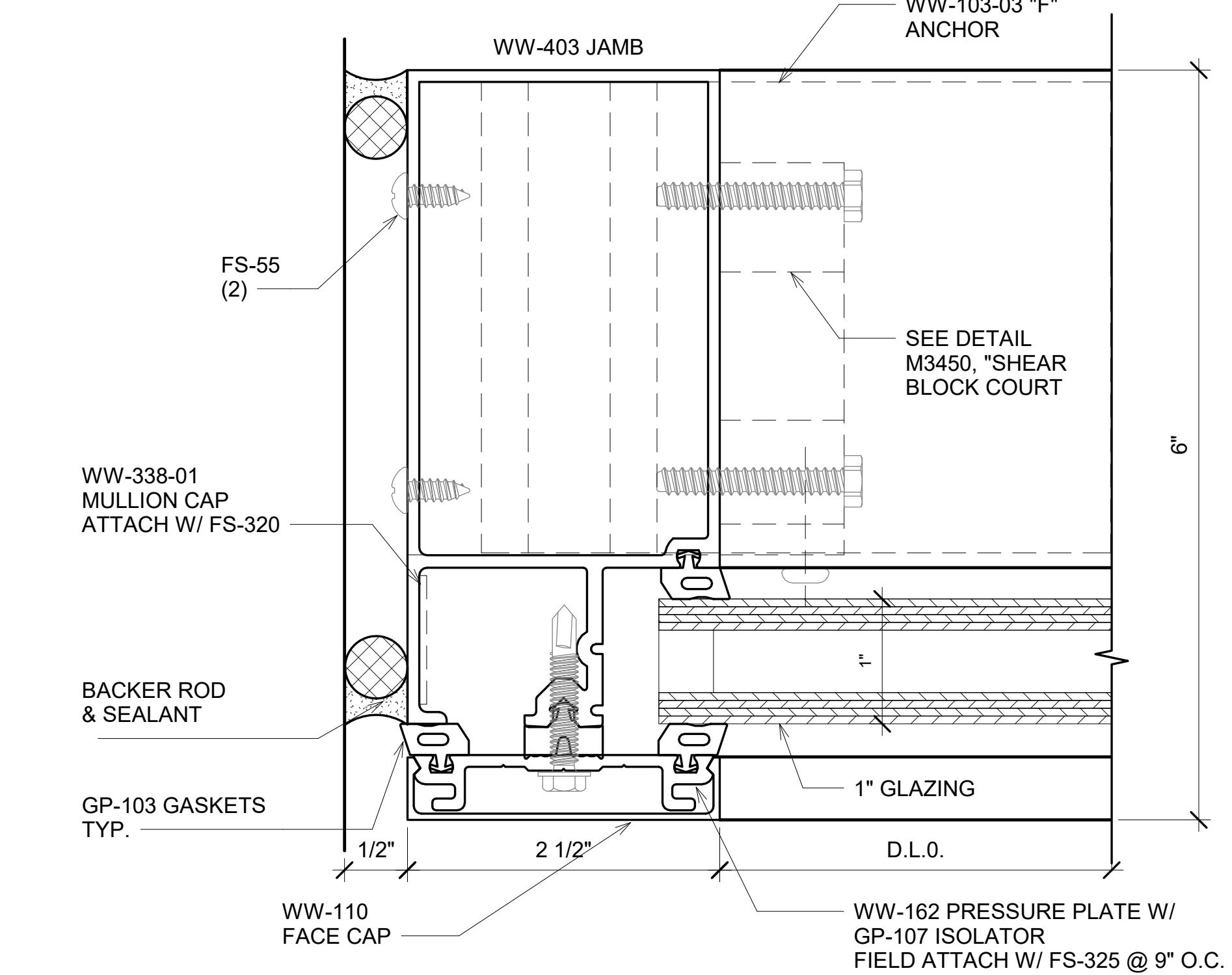
2 EXTERIOR CURTAINWALL HEAD DETAILS
12" = 1'-0"



1 EXTERIOR CURTAINWALL SILL DETAILS
12" = 1'-0"



5 EXTERIOR CURTAINWALL INTERMEDIATE HORIZONTAL DETAILS
12" = 1'-0"



4 EXTERIOR CURTAINWALL JAMB TUBULAR DETAILS
12" = 1'-0"

BIM ARCHITECTS AND ENGINEERS

SIMSONA CORP.
1451 Rockville Pike, Suite #250,
Rockville, MD 20850
Phone : 301-408-8553
Email: raj@simsona.com
www.simsonacadd.com

PROJECT NAME

DALLAS HARRIS ELEMENTARY SCHOOL

3302 SOUTH BARNESIDE WAY

Revision Schedule		
Revision Number	Revision Description	Revision Date
1	REVISED CONCERNING SUBMITTAL#01 COMMENTS	06-21-2022

TYPICAL DETAILS-OBE RELIANCE SERIES		
PROJECT NUMBER	SIM-44	SD-304
DATE	06/23/2022	
Drawn by	AG,AY,SS	SCALE- 12" = 1'-0"
Checked by	AG,AY,SS,AP	

PLOT CREATED: 06/23/2022