

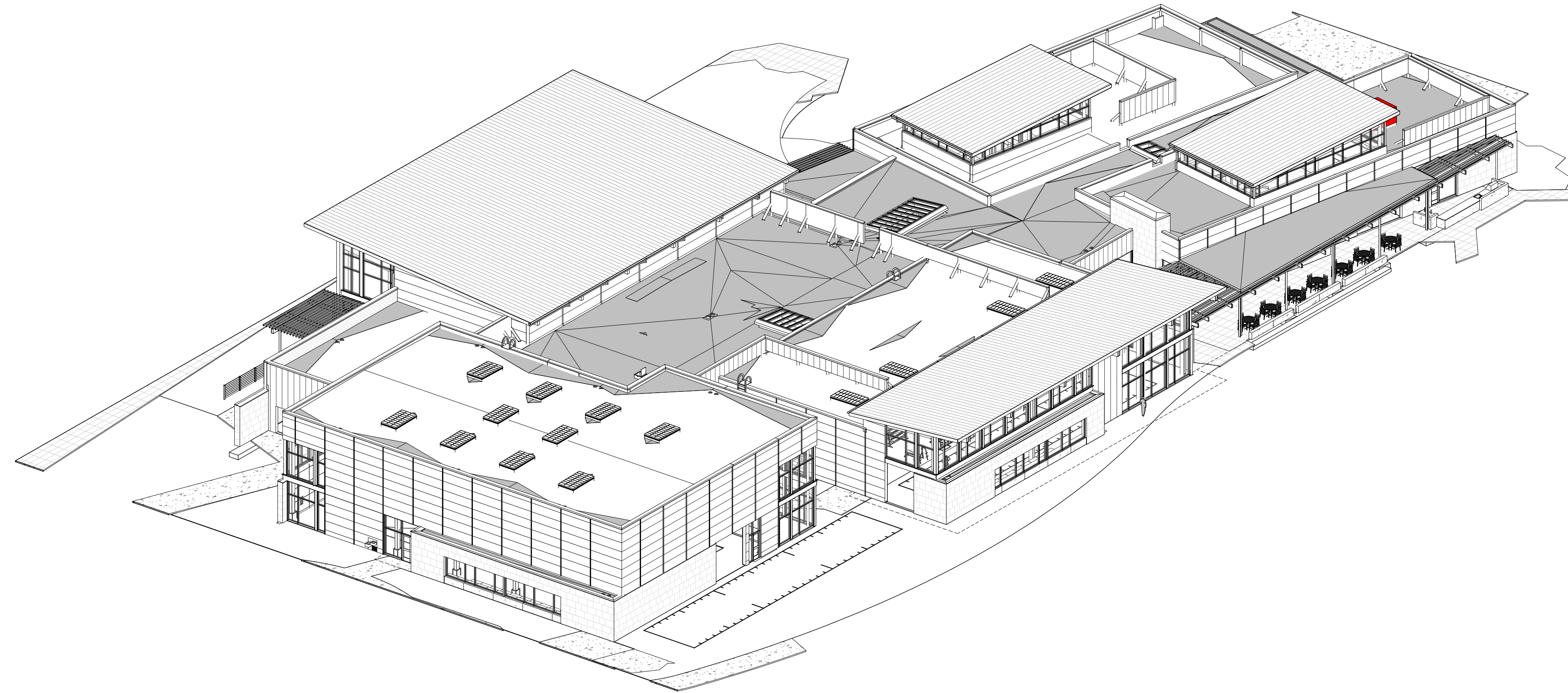
# IDAHO OUTDOOR FIELDHOUSE

3211 E. BARBER VALLEY Dr. BOISE, IDAHO 83716

## STOREFRONT/CURTAINWALL SHOP DRAWING SET

### SUBMITTAL NOTES

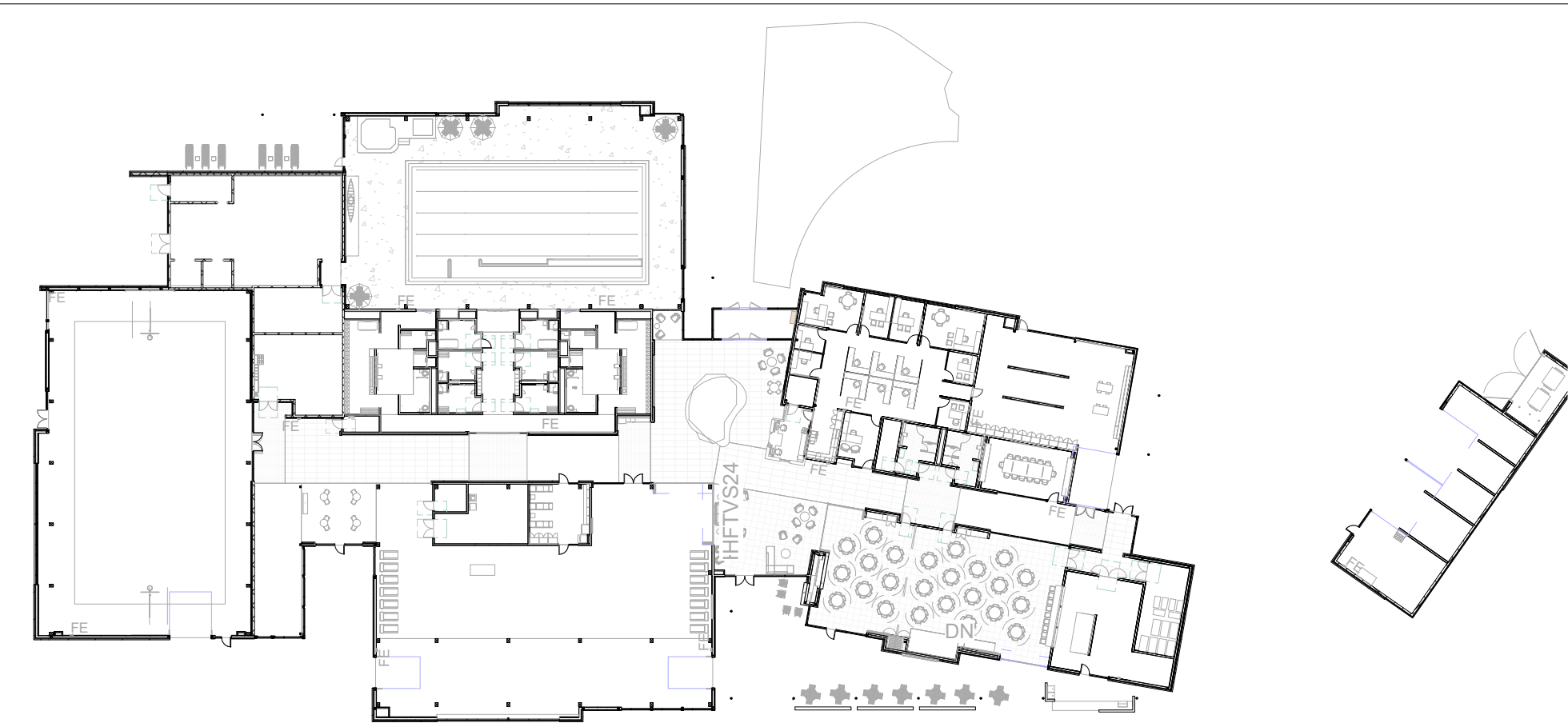
1. THIS DRAWING PACKAGE IS BEING SUBMITTED FOR APPROVAL ONLY, ANY MATERIALS ORDERED OR CONSTRUCTED BASED ON THIS DRAWING PACKAGE BEFORE FINAL APPROVAL FROM THE ARCHITECT AND ENGINEER-OF-RECORD IS AT THE RISK OF THE CONTRACTOR. THE CONTRACTOR IS ADVISED TO OBTAIN A FINAL APPROVED DRAWING PACKAGE BEFORE ORDERING THE MATERIAL AND/OR CONSTRUCTION. SIMSONA CORP. IS NOT RESPONSIBLE FOR CONTRACTOR PROCEEDING WITHOUT A FINAL APPROVED DRAWING PACKAGE.
2. THIS DRAWING SUBMITTAL HAS BEEN PREPARED IN COORDINATION WITH CONTRACT DOCUMENTS MENTIONED IN THE REFERENCE TABLE.
3. SUBMITTAL PROCESS IS AS FOLLOWS: SIMSONA CORP. SHALL SUBMIT THIS DRAWING PACKAGE FOR APPROVAL. THE CONTRACTOR IS RESPONSIBLE FOR SUBMISSION TO THE RELEVANT PARTIES PER HIS CONTRACT REQUIREMENTS. UPON RETURNED SUBMITTAL FROM ALL RELEVANT PARTIES, CONTRACTOR SHALL FORWARD A COPY OF THIS DRAWINGS PACKAGE WITH COMMENTS AND APPROVALS TO SIMSONA CORP. FAILURE TO FOLLOW THIS PROCESS COMPLETELY AND PROMPTLY RELEASES SIMSONA CORP. FROM ANY CLAIMS AND DESIGN LIABILITY.
4. FOR ALL CONDITIONS LISTED HEREIN AND/OR REQUIRED FOR THIS PROJECT. IT IS THE GENERAL CONTRACTOR'S, ARCHITECT'S, AND THE EOR'S RESPONSIBILITY TO MARK THE DRAWINGS ACCORDING TO THE ACTUAL DESIGN REQUIREMENT, COORDINATION WITH OTHER WORK, AND DIFFERING FIELD CONDITIONS THAT EXIST AT THE TIME OF INITIAL CREATION OF THIS DRAWINGS PACKAGE.
5. THE CONTENTS OF THIS SHOP DRAWING SUBMITTAL SHOWED THE STOREFRONT AND CURTAINWALL SHOPDRAWING



1	REVISED CONCERNING SIMSONA SUBMITTAL #01
2	REVISED CONCERNING SIMSONA SUBMITTAL #02
3	REVISED CONCERNING SIMSONA SUBMITTAL #03
4	REVISED CONCERNING SIMSONA SUBMITTAL #04
5	REVISED CONCERNING SIMSONA SUBMITTAL #05
6	CLERESTORY PLAN ADDED SUBMITTAL #06
7	REVISED CONCERNING SIMSONA SUBMITTAL #07
8	DESIGN CALCULATION DETAILS ADDED

LATEST REVISION DATE-08-26-2022

SIMSONA SHEET LIST			
NUMBER	NAME	ISSUE DATE	REVISION
SD-00	COVER PAGE	08-26-2022	
SD-100	OVERALL GRID LAYOUT	08-26-2022	
SD-101	OVERALL FIRST FLOOR PLANS	08-26-2022	
SD-102	FIRST FLOOR PLAN - AREA PLAN A	08-26-2022	3
SD-103	FIRST FLOOR PLAN - AREA PLAN B	08-26-2022	
SD-104	CLERESTORY FLOOR PLAN -AREA A	08-26-2022	5
SD-105	CLERESTORY FLOOR PLAN -AREA B	08-26-2022	5
SD-200	I01, I02 STOREFRONT DETAILS	08-26-2022	8
SD-201	I03 INTERIOR STOREFRONT DETAILS	08-26-2022	8
SD-202	I04, I05 INTERIOR STOREFRONT DETAILS	08-26-2022	8
SD-203	I06, I07 INTERIOR STOREFRONT DETAILS	08-26-2022	8
SD-204	I08, I09 INTERIOR STOREFRONT DETAILS	08-26-2022	8
SD-205	I10, I11 INTERIOR STOREFRONT DETAILS	08-26-2022	8
SD-206	I12, I13 INTERIOR STOREFRONT DETAILS	08-26-2022	8
SD-207	I14, I16 INTERIOR STOREFRONT DETAILS	08-26-2022	8
SD-208	I15, I18 INTERIOR STOREFRONT DETAILS	08-26-2022	8
SD-209	I19 INTERIOR STOREFRONT DETAILS	08-26-2022	8
SD-210	I20 STOREFRONT DETAILS	08-26-2022	8
SD-211	INTERIOR TYPE B AND F DOOR	08-26-2022	3
SD-301	E02, E03 STOREFRONT DETAILS	08-26-2022	8
SD-302	E04, E05 STOREFRONT DETAILS	08-26-2022	8
SD-303	E06, E07 STOREFRONT DETAILS	08-26-2022	8
SD-304	E09, E10 STOREFRONT DETAILS	08-26-2022	8
SD-305	E11, E13 STOREFRONT DETAILS	08-26-2022	8
SD-306	E15, E16 STOREFRONT DETAILS	08-26-2022	8
SD-307	E17, E18 STOREFRONT DETAILS	08-26-2022	8
SD-308	E19, E20 STOREFRONT DETAILS	08-26-2022	8
SD-309	E25, E08 STOREFRONT DETAILS	08-26-2022	8
SD-310	E01, E26, E27, E28 PLAN STOREFRONT DETAILS	08-26-2022	8
SD-311	E01, E26, E27, E28 ELEVATION STOREFRONT DETAILS	08-26-2022	8
SD-312	E29, E30, E31, E32 PLAN STOREFRONT DETAILS	08-26-2022	
SD-313	E29, E30 ELEVATION STOREFRONT DETAILS	08-26-2022	8
SD-314	E31, E32 ELEVATION STOREFRONT DETAILS	08-26-2022	8
SD-315	E33, E34, E35, E36 PLAN STOREFRONT DETAILS	08-26-2022	
SD-316	E33, E34, ELEVATION STOREFRONT DETAILS	08-26-2022	8
SD-317	E35, E36 ELEVATION STOREFRONT DETAILS	08-26-2022	8
SD-318	E37, E38 STOREFRONT DETAILS	08-26-2022	8
SD-319	E39, E40 STOREFRONT DETAILS	08-26-2022	8
SD-401 A	E12, E14.5 PLAN VIEW	08-26-2022	3
SD-401 B	E12, E14.5 ELEVATION VIEW	08-26-2022	8
SD-402 A	E12A, E14, E23, E24 PLAN VIEW	08-26-2022	
SD-402 B	E14, E12A ELEVATIONS AND SECTION DETAILS	08-26-2022	8
SD-402 C	E23, E24 DETAILS	08-26-2022	8
SD-403	E22 PLAN, ELEVATION	08-26-2022	8
SD-404	E21 STOREFRONT DETAILS	08-26-2022	8
SD-500	STOREFRONT AND CURTAINWALL SCHEDULE	08-26-2022	
SD-600 A	TYPICAL DETAILS-OBE FG 3000 SERIES	08-26-2022	1
SD-600 B	TYPICAL DETAILS- FG 3000 SERIES	08-26-2022	
SD-601 A	TYPICAL DETAILS-OBE 6000 XT SERIES	08-26-2022	4
SD-601 B	TYPICAL DETAILS -OBE 6000 XT SERIES	08-26-2022	
SD-602	TYPICAL DETAILS-OBE RELIANCE SERIES	08-26-2022	
Grand total: 51			



KEY PLAN

### THE SCOPE OF THIS WORK IS TO

- TO PREPARE STOREFRONT AND CURTAINWALL SHOP DRAWING BY TAKING REFERENCE TO THE CONTRACT DOCUMENTS MENTIONED IN THE REFERENCE TABLE.

### SCOPE OF WORK

### REFERENCE TABLE

DOCUMENTS	DATE	TIME	APPROVAL STATUS
ARCHITECTURAL PDF SET	04/22/2022	10:00 AM	100% CD
STRUCTURAL PDF SET	04/22/2022	10:00 AM	100% CD
ARCHITECTURAL REVIT FILE	04/22/2022	10:00 AM	
STRUCTURAL REVIT FILE	04/22/2022	10:00 AM	

SUBMITTAL#09\_08-26-2022

BIM ARCHITECTS AND ENGINEERS

**SIMSONA CORP.**  
1451 Rockville Pike, Suite #250,  
Rockville, MD 20850  
Phone : 301-408-8553  
Email: raj@simsona.com  
www.simsonacadd.com

PROJECT NAME

IDAHO OUTDOOR FIELDHOUSE  
  
3211 E. BARBER VALLEY Dr. BOISE,  
IDAHO 83716

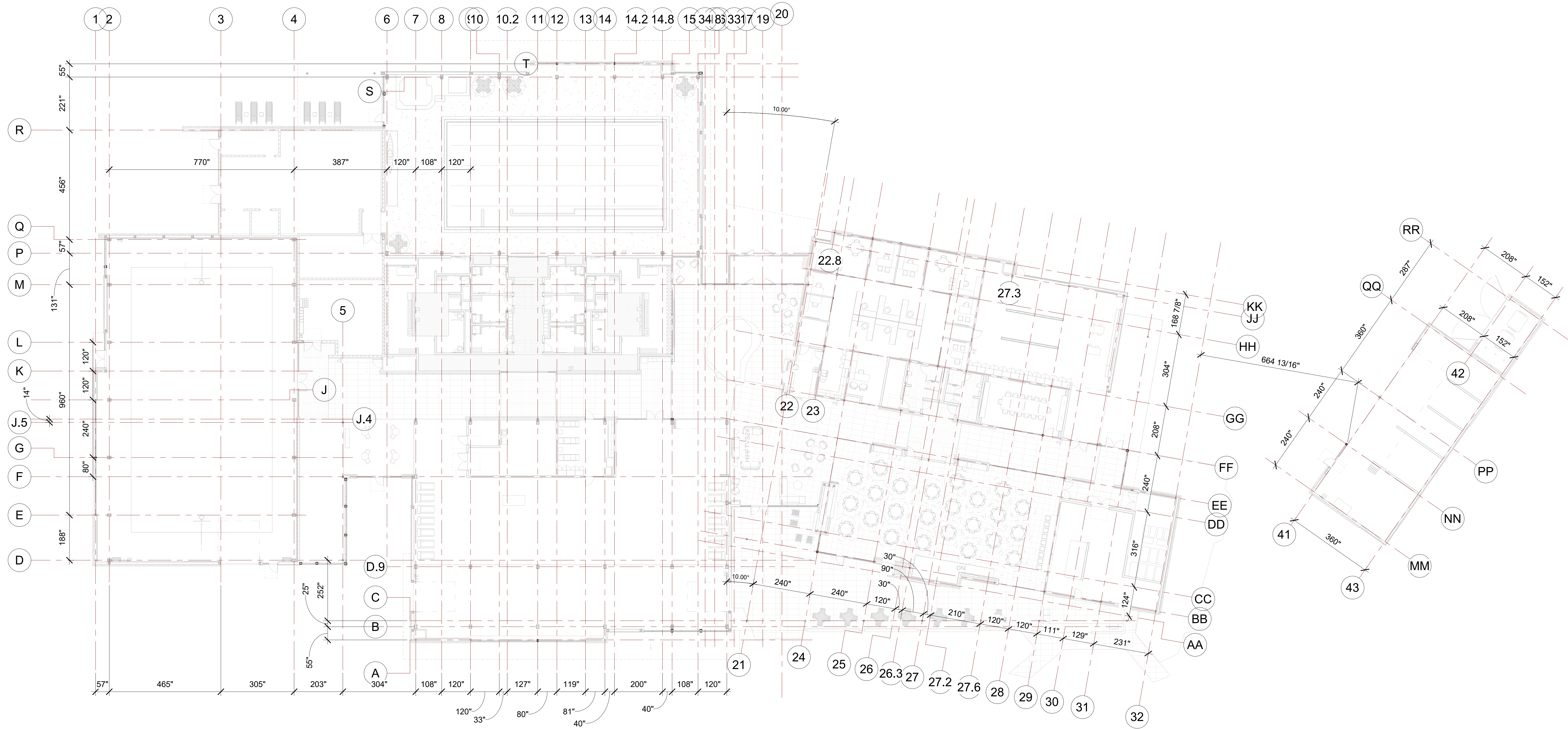
Revision Schedule

Revision Number	Revision Description	Revision Date

### COVER PAGE

PROJECT NUMBER SIM-37  
DATE 08-26-2022  
Drawn by AC/AG/AY/SS  
Checked by AP

SD-00



1 OVERALL GRID LAYOUT  
1/16" = 1'-0"

BIM ARCHITECTS AND ENGINEERS

**SIMSONA CORP.**  
1451 Rockville Pike, Suite #250,  
Rockville, MD 20850  
Phone : 301-408-8553  
Email: raj@simsona.com  
www.simsonacadd.com

PROJECT NAME

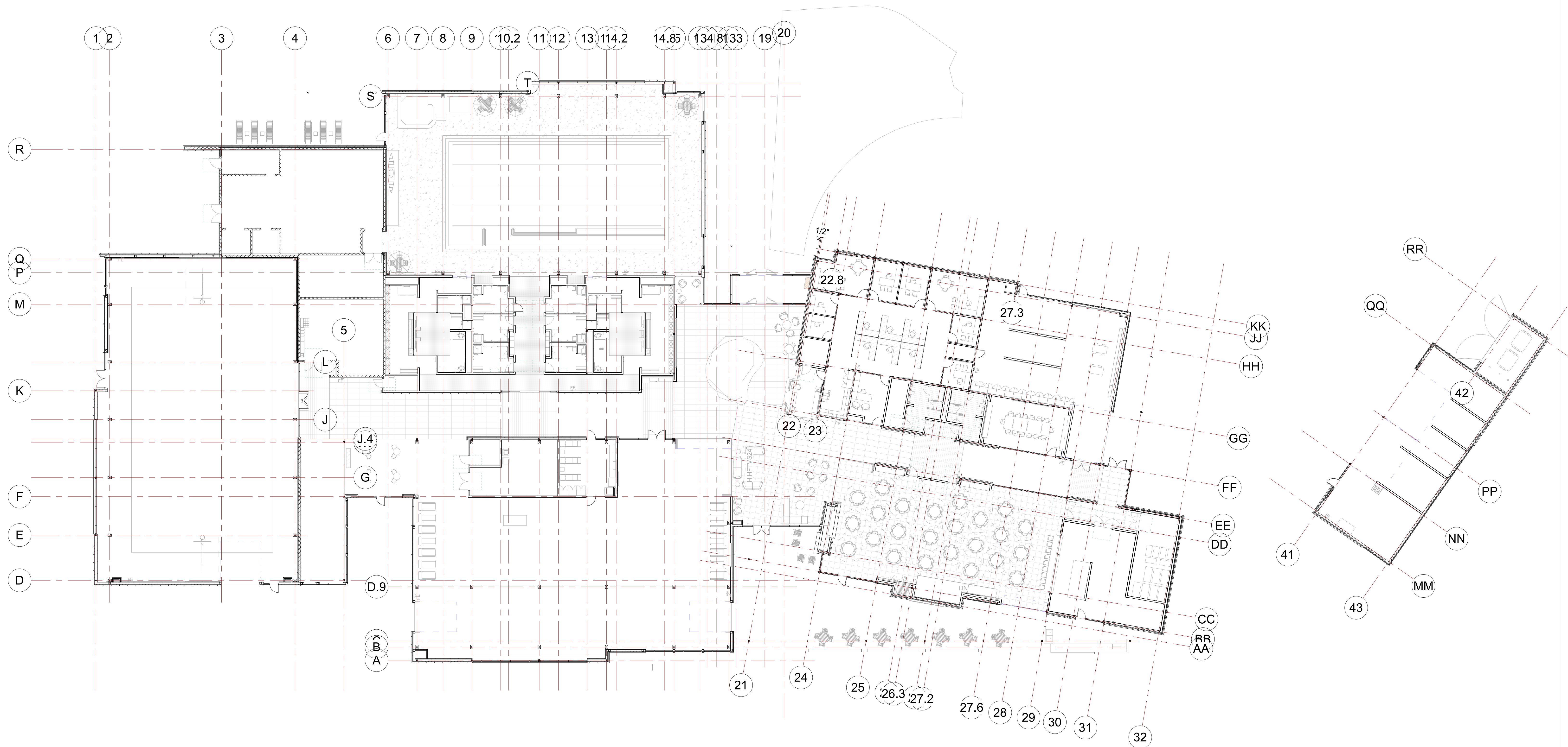
**IDAHO OUTDOOR FIELDHOUSE**

3211 E. BARBER VALLEY Dr. BOISE,  
IDAHO 83716

Revision Schedule		
Revision Number	Revision Description	Revision Date

**OVERALL GRID LAYOUT**

PROJECT NUMBER	SIM-37	<b>SD-100</b>
DATE	08-26-2022	
Drawn by	AC/AG/AY/SS	
Checked by	AP	
SCALE- 1/16" = 1'-0"		



1 FIRST FLOOR PLAN VIEW  
1/16" = 1'-0"

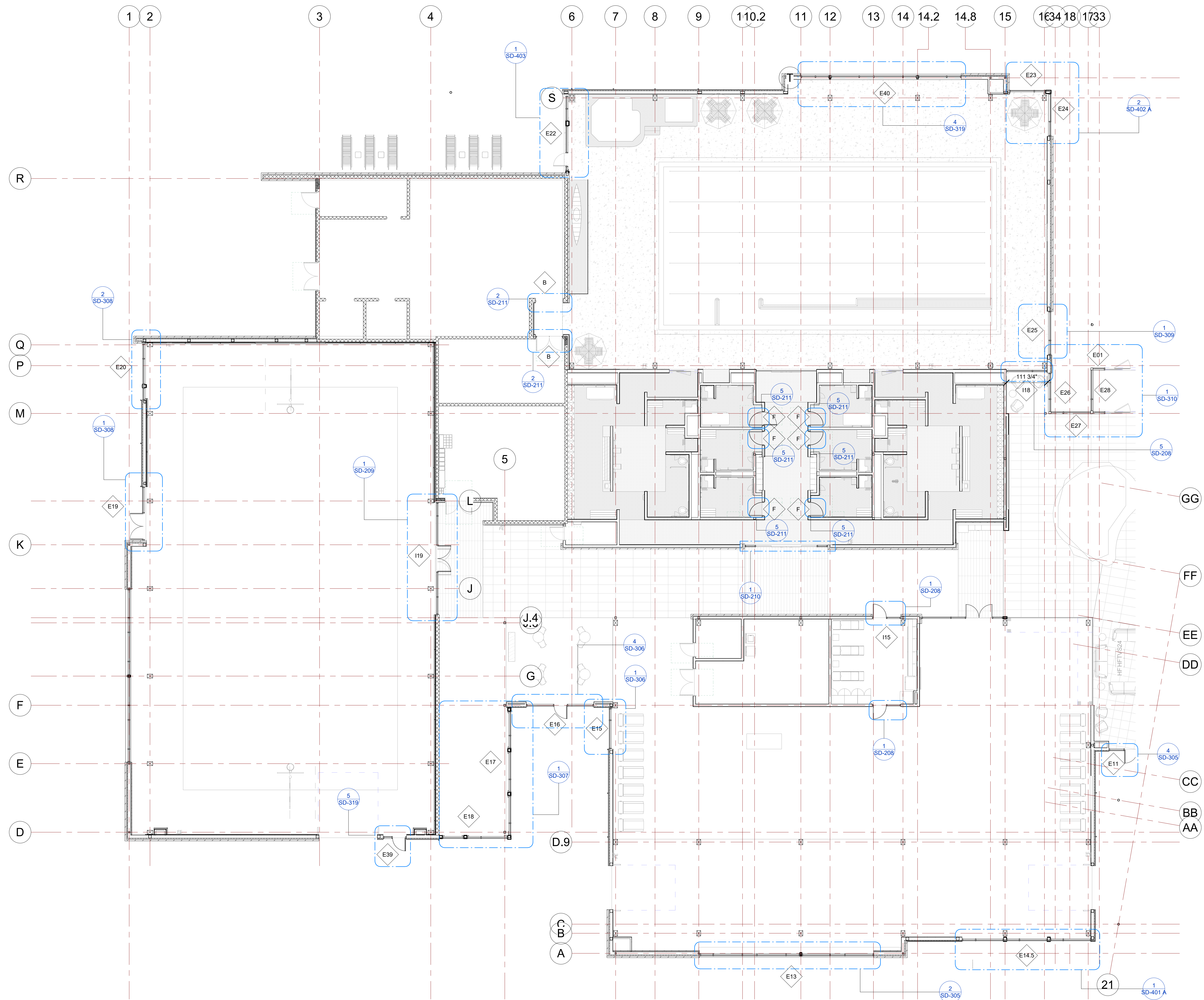
BIM ARCHITECTS AND ENGINEERS  
**SIMSONA CORP.**  
 1451 Rockville Pike, Suite #250,  
 Rockville, MD 20850  
 Phone : 301-408-8553  
 Email: raj@simsona.com  
 www.simsonacadd.com

PROJECT NAME  
**IDAHO OUTDOOR FIELDHOUSE**  
 3211 E. BARBER VALLEY Dr. BOISE,  
 IDAHO 83716

Revision Schedule		
Revision Number	Revision Description	Revision Date

**OVERALL FIRST FLOOR PLANS**

PROJECT NUMBER	SIM-37	<b>SD-101</b>
DATE	08-26-2022	
Drawn by	AC/AG/AY/SS	
Checked by	AP	
SCALE- 1/16" = 1'-0"		



1 FIRST FLOOR PLAN - AREA PLAN A  
1" = 10'-0"

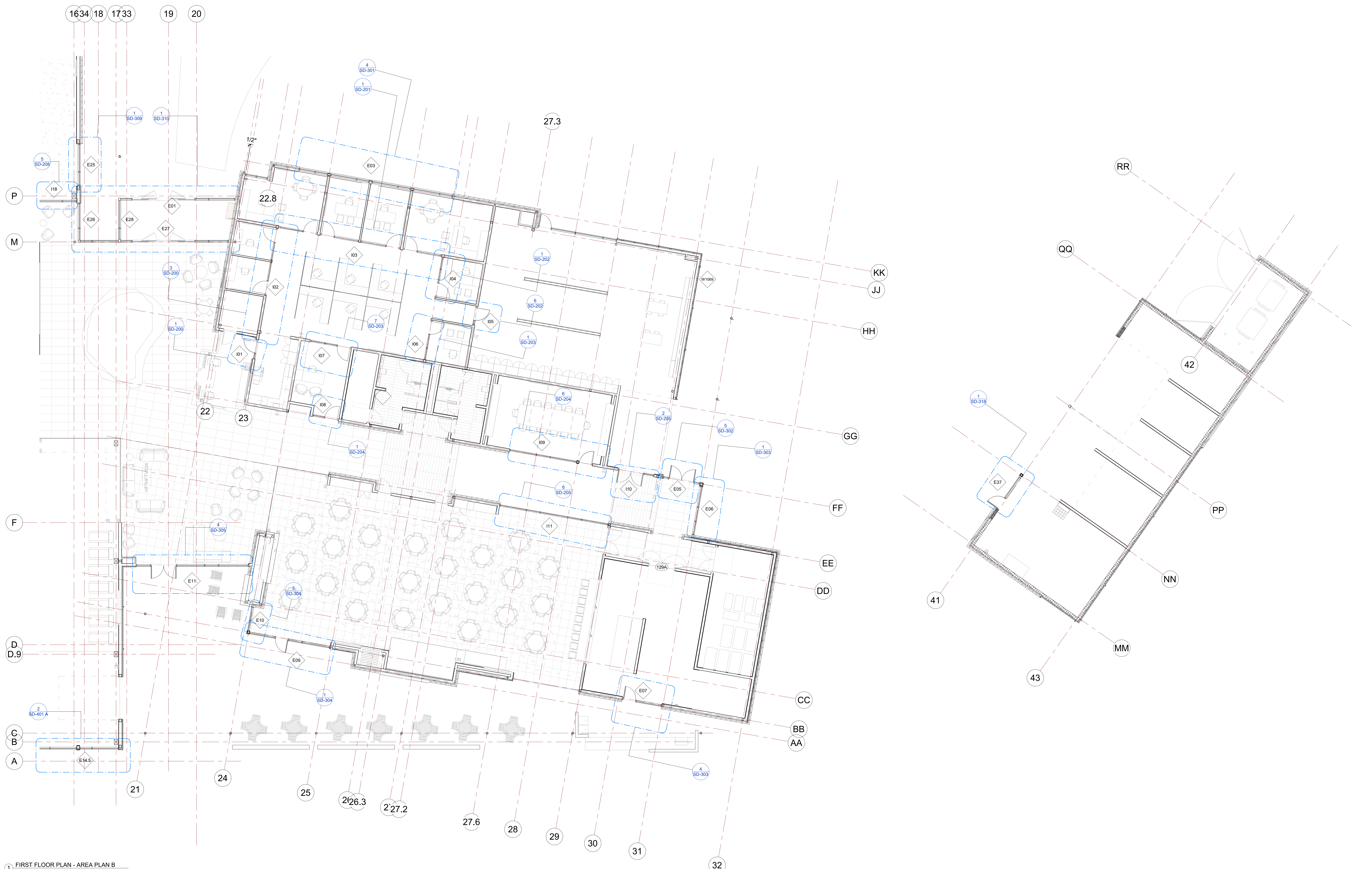
BIM ARCHITECTS AND ENGINEERS  
**SIMSONA CORP.**  
 1451 Rockville Pike, Suite #250,  
 Rockville, MD 20850  
 Phone : 301-408-8553  
 Email: raj@simsona.com  
 www.simsonacadd.com

PROJECT NAME  
**IDAHO OUTDOOR FIELDHOUSE**  
 3211 E. BARBER VALLEY Dr. BOISE,  
 IDAHO 83716

Revision Schedule		
Revision Number	Revision Description	Revision Date
3	REVISED CONCERNING SUBMITTAL#03 COMMENTS	07-12-2022

**FIRST FLOOR PLAN - AREA PLAN A**  
 PROJECT NUMBER SIM-37  
**SD-102**  
 DATE 08-26-2022  
 Drawn by AC/AG/AY/SS  
 Checked by AP  
 SCALE- 1" = 10'-0"

PLOT CREATED: 08-26-2022



1 FIRST FLOOR PLAN - AREA PLAN B  
1/8" = 1'-0"

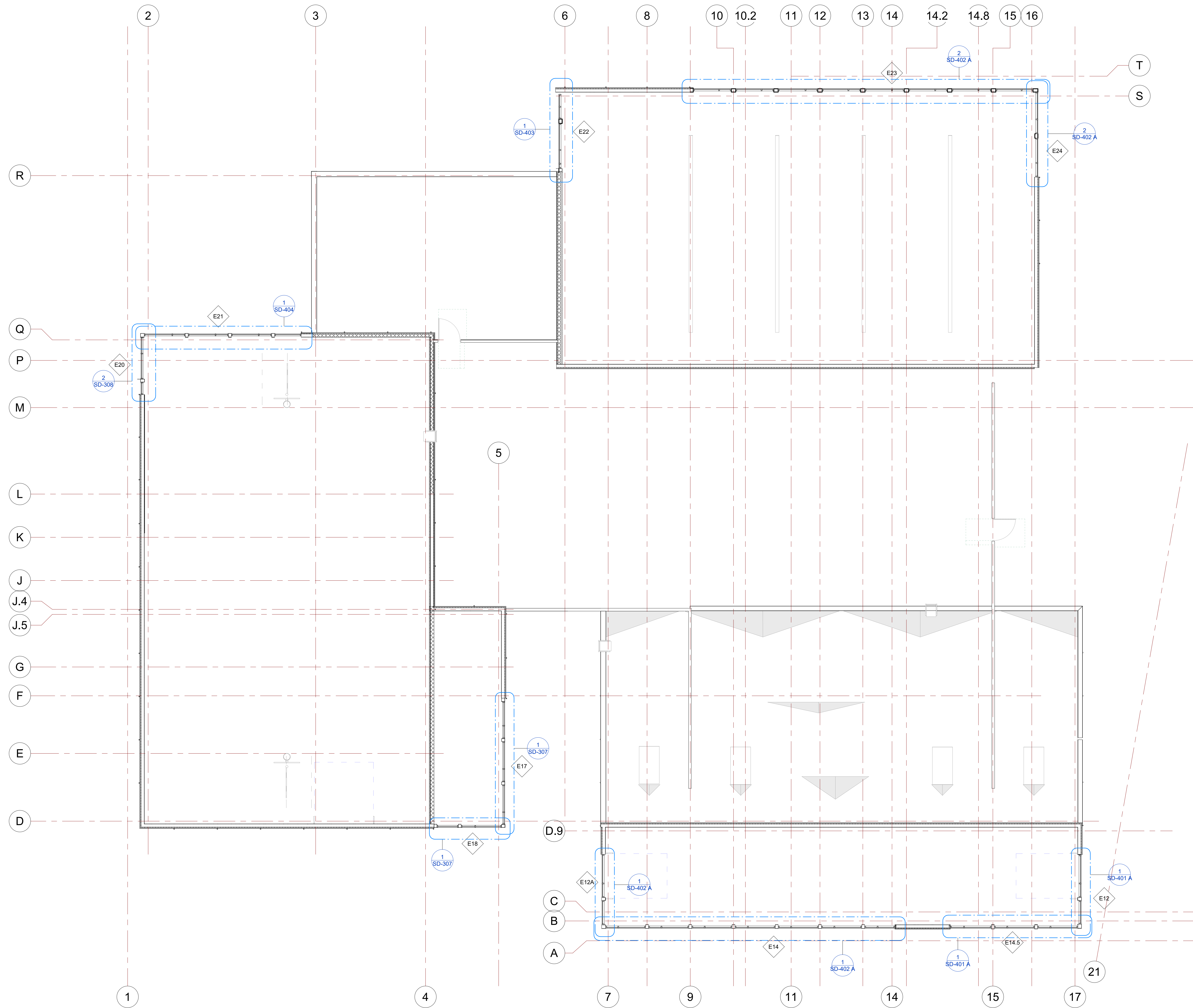
BIM ARCHITECTS AND ENGINEERS  
**SIMSONA CORP.**  
 1451 Rockville Pike, Suite #250,  
 Rockville, MD 20850  
 Phone : 301-408-8553  
 Email: raj@simsona.com  
 www.simsonacadd.com

PROJECT NAME  
**IDAHO OUTDOOR FIELDHOUSE**  
 3211 E. BARBER VALLEY Dr. BOISE,  
 IDAHO 83716

Revision Schedule		
Revision Number	Revision Description	Revision Date

**FIRST FLOOR PLAN - AREA PLAN B**  
 PROJECT NUMBER SIM-37  
 DATE 08-26-2022  
 Drawn by AC/AG/AY/SS  
 Checked by AP

**SD-103**  
 SCALE- 1/8" = 1'-0"



1 CLERESTORY PLAN - AREA A  
1" = 10'-0"



BIM ARCHITECTS AND ENGINEERS  
**SIMSONA CORP.**  
 1451 Rockville Pike, Suite #250,  
 Rockville, MD 20850  
 Phone : 301-408-8553  
 Email: raj@simsona.com  
 www.simsonacadd.com

PROJECT NAME

IDAHO OUTDOOR FIELDHOUSE

3211 E. BARBER VALLEY Dr. BOISE,  
 IDAHO 83716

Revision Schedule

Revision Number	Revision Description	Revision Date
5	CLERESTORY PLAN ADDED SUBMITTAL #06	08-09-2022

CLERESTORY FLOOR PLAN  
 -AREA A

PROJECT NUMBER SIM-37

DATE 08-26-2022

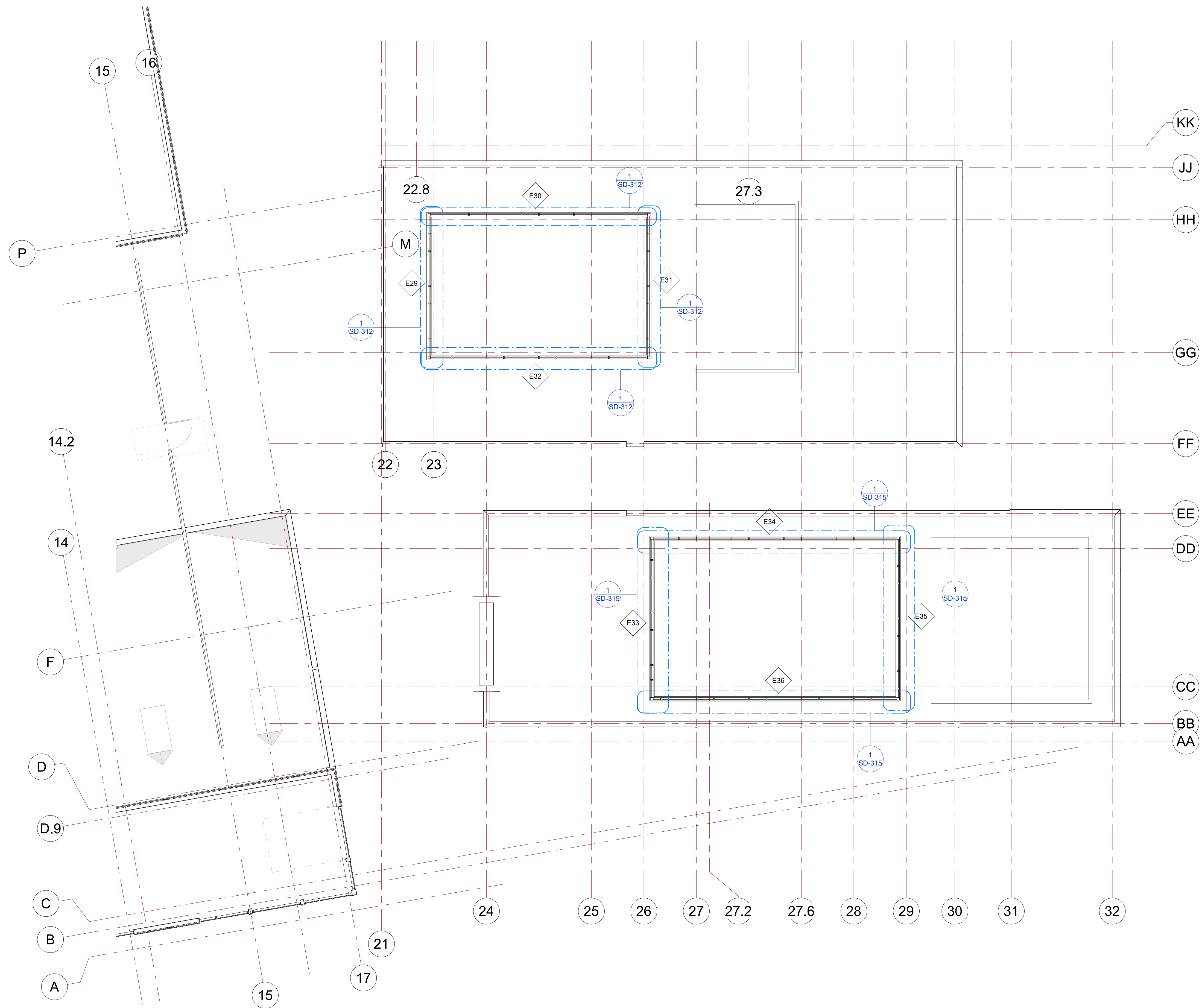
Drawn by AC/AG/AY/SS

Checked by AP

SD-104

SCALE- 1" = 10'-0"

PLOT CREATED: 08-26-2022

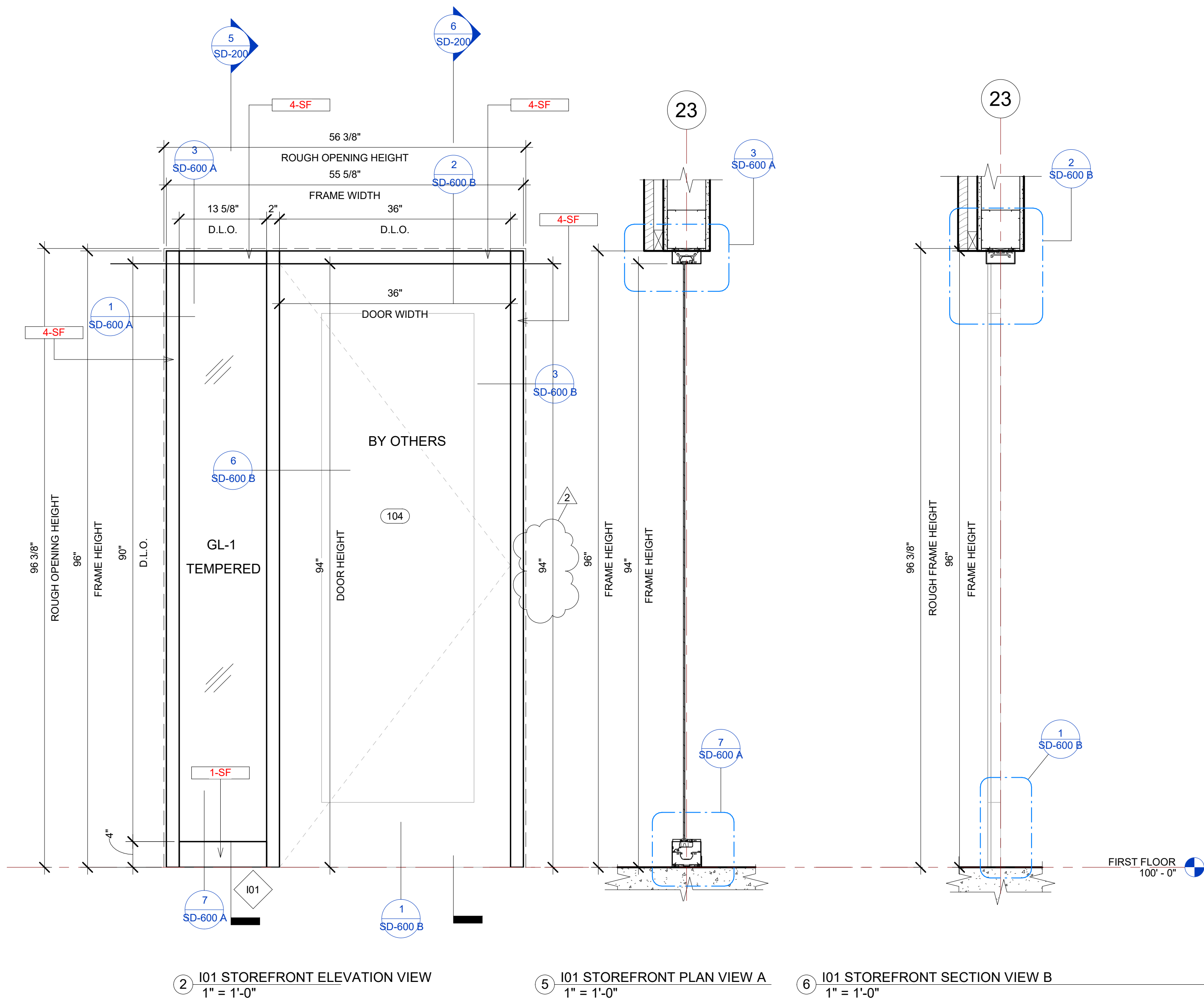


1 CLERESTORY PLAN -AREA B  
1" = 10'-0"

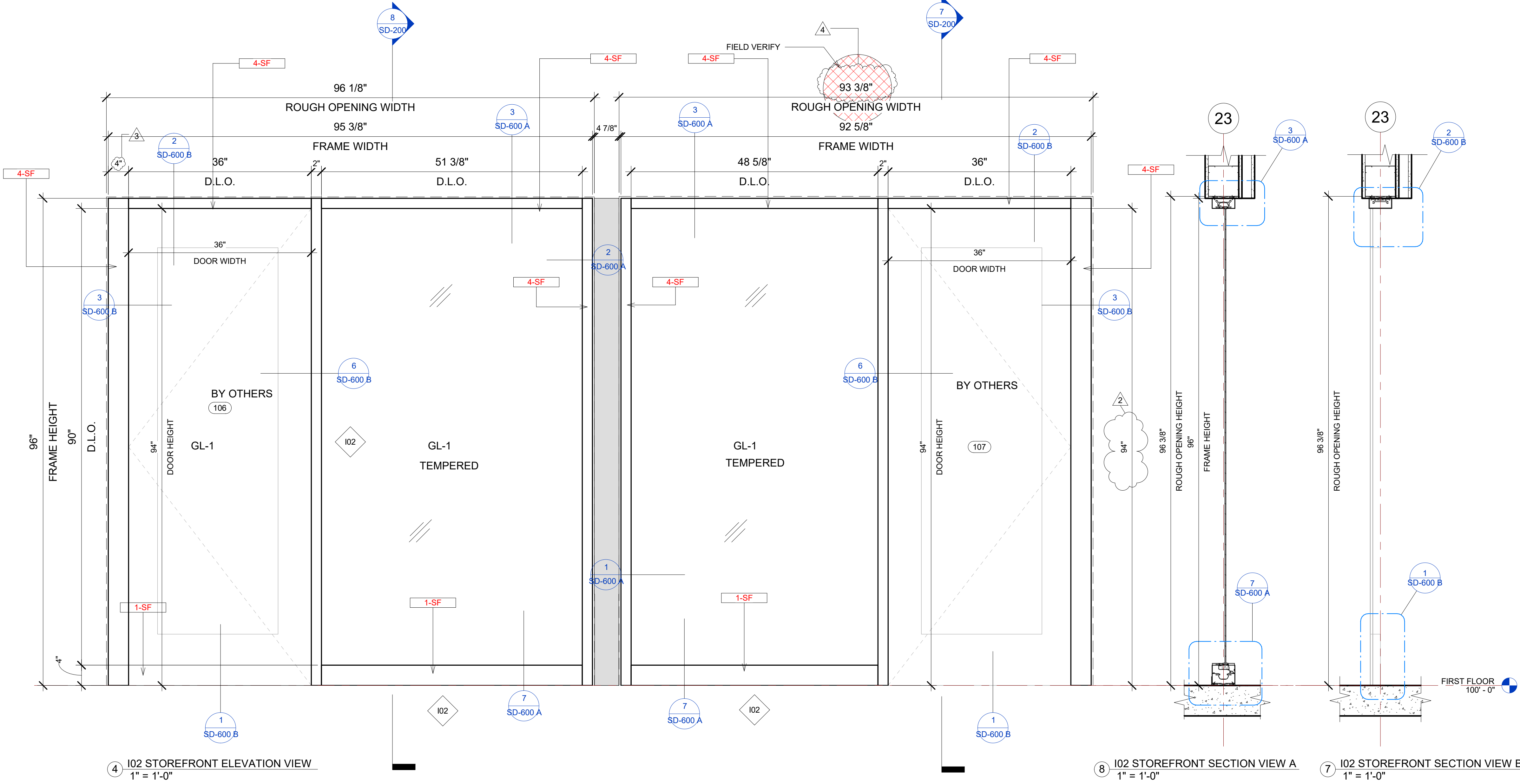
Revision Schedule		
Revision Number	Revision Description	Revision Date
5	CLERESTORY PLAN ADDED SUBMITTAL #06	08-09-2022

I01 STOREFRONT SCHEDULE											
NAME	FRAME SIZE		FRAME FINISHES				FRAME SPECIFICATION		DOOR SPECIFICATION		HARDWARE GROUP
	FRAME LENGTH	FRAME HEIGHT	MFR.	SERIES	PANEL MATERIAL	FINISHES	MULLION SIZE	GLAZING TYPE	DOOR SIZE	DOOR TAG	
I01	4' - 7 5/8"	8' - 0"	OBE	FG-3000	ALUMINIUM	ANODIZED DARK BRONZE	2" x 4 1/2"	GL-1	3'-0"x7'-10"	104	#30
Grand total: 1											

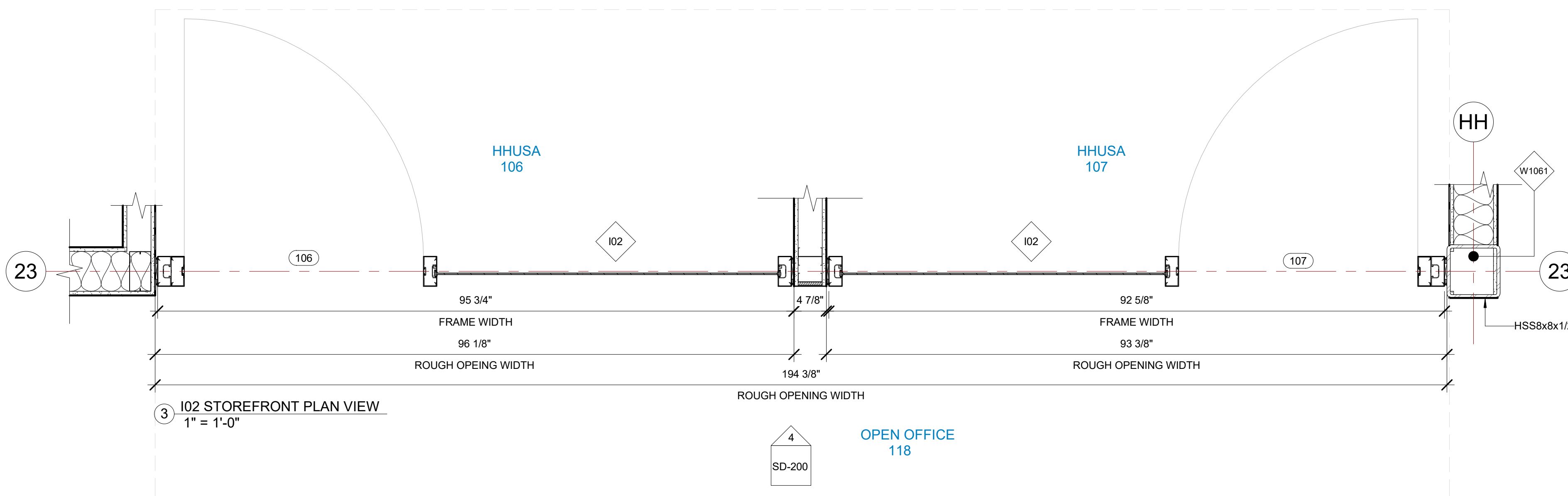
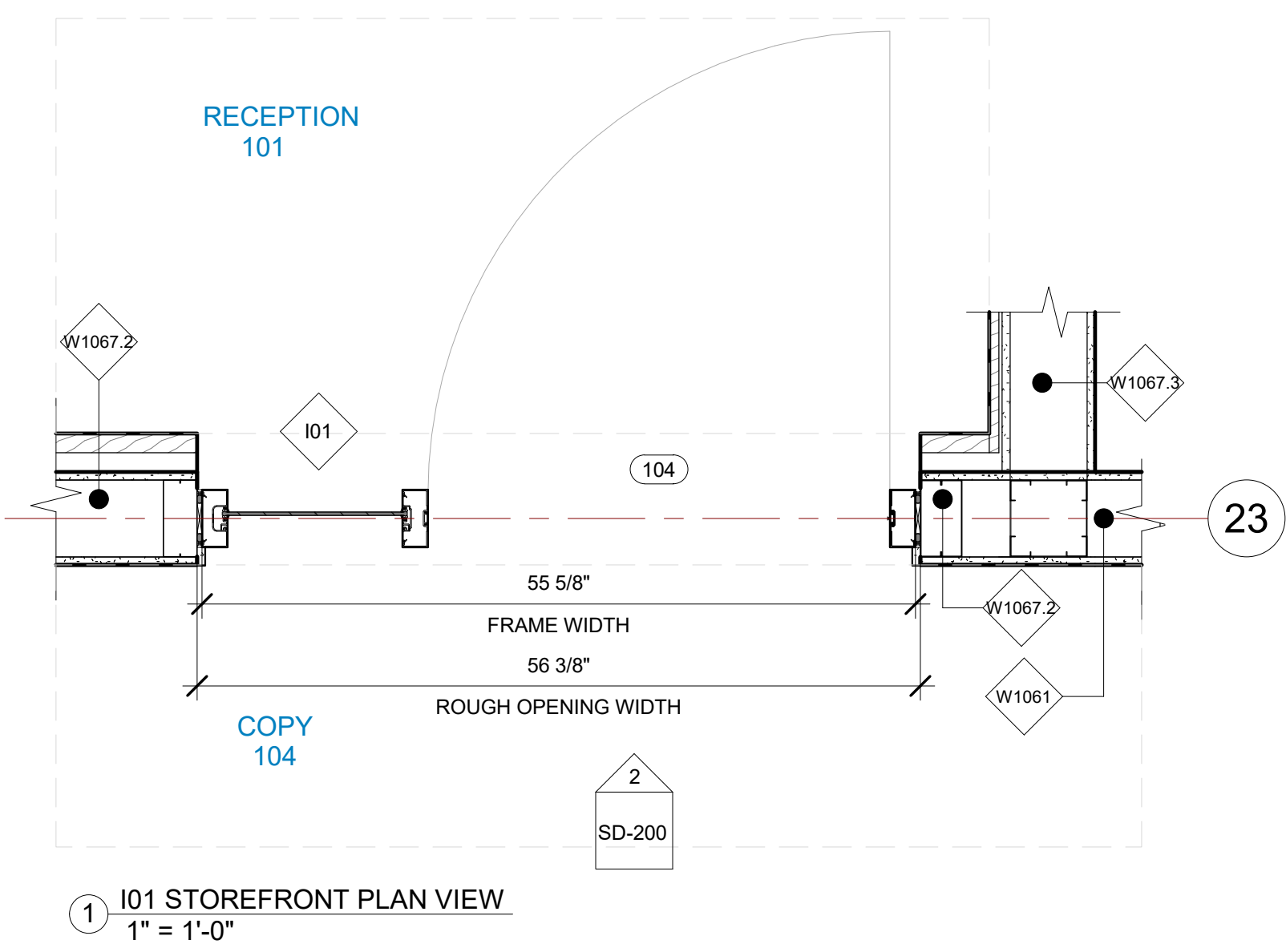
IDAHO CONNECTION DETAILS	
TAG	DESCRIPTION
1-SF	ANCHORAGE INTO CONCRETE =USE (2) 3/8" DIA. SIMPSON TITEN HD SCREW ANCHOR WITH 2-1/2" NOMINAL DEPTH. INSTALLATION PER ICC-ES ESR-2713
4-SF	EDGE MULLION ANCHORAGE INTO STRUCTURAL STEEL=USE (2) ITW BUILDEX TEKS 12-24 TEKS/ 5 SCREW @EA SIDE OF MULLION WITH 3" MIN. SPACING, 1" MIN EDGE DISTANCE, 1/8" MIN. STEEL THICKNESS, INSTALLATION PER ICC-ES ESR-1976



I02 STOREFRONT SCHEDULE											
NAME	FRAME SIZE		FRAME FINISHES				FRAME SPECIFICATION		DOOR SPECIFICATION		HARDWARE GROUP
	FRAME LENGTH	FRAME HEIGHT	MFR.	SERIES	PANEL MATERIAL	FINISHES	MULLION SIZE	GLAZING TYPE	DOOR SIZE	DOOR TAG	
I02	7' - 11 3/8"	8' - 0"	OBE	FG-3000	ALUMINIUM	ANODIZED DARK BRONZE	2" x 4 1/2"	GL-1	3'-0"x7'-10"	106	#27
I02	7' - 8 5/8"	8' - 0"	OBE	FG-3000	ALUMINIUM	ANODIZED DARK BRONZE	2" x 4 1/2"	GL-1	3'-0"x7'-10"	107	#27
Grand total: 2											



GLASS SPECIFICATIONS	
GL-1	1/4" CLEAR (TEMPERED WHERE REQUIRED/INDICATED)
GL-2	1" OA, 1/4" CLEAR, SNX 51/23, 1/2" BLACK SPACER, 1/4" CLEAR (TEMPERED WHERE REQUIRED)
GL-3	1" OA, 1/4" CLEAR, SNX 51/23, 1/2" BLACK SPACER, 1/4" CLEAR SOLID BLACK FRIT (SX2439) #4 (TEMP WHERE REQUIRED)
GL-4	1" OA, 1/4" CLEAR, SNX 51/23, 1/2" BLACK SPACER, 9/16" .060 WHITE DIFFUSED LAMI/ ACID ETCH FRIT



BIM ARCHITECTS AND ENGINEERS  
**SIMSONA CORP.**  
 1451 Rockville Pike, Suite #250,  
 Rockville, MD 20850  
 Phone : 301-408-8553  
 Email: raj@simsona.com  
 www.simsonacadd.com

PROJECT NAME  
**IDAHO OUTDOOR FIELDHOUSE**  
 3211 E. BARBER VALLEY Dr. BOISE,  
 IDAHO 83716

Revision Schedule		
Revision Number	Revision Description	Revision Date
2	REVISED CONCERNING SIMSONA SUBMITTAL #02	06-06-2022
3	REVISED CONCERNING SUBMITTAL#03 COMMENTS	07-12-2022
4	REVISED CONCERNING SUBMITTAL#05 COMMENTS	07-27-2022
8	DESIGN CALCULATION DETAILS ADDED	08-26-2022

**I01, I02 STOREFRONT DETAILS**

PROJECT NUMBER	SIM-37	<b>SD-200</b>
DATE	08-26-2022	
Drawn by	AC/AG/AY/SS	
Checked by	AP	

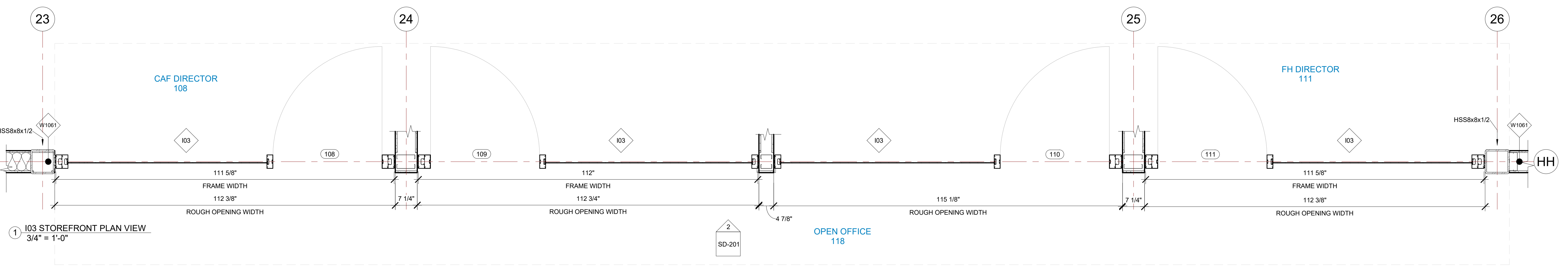
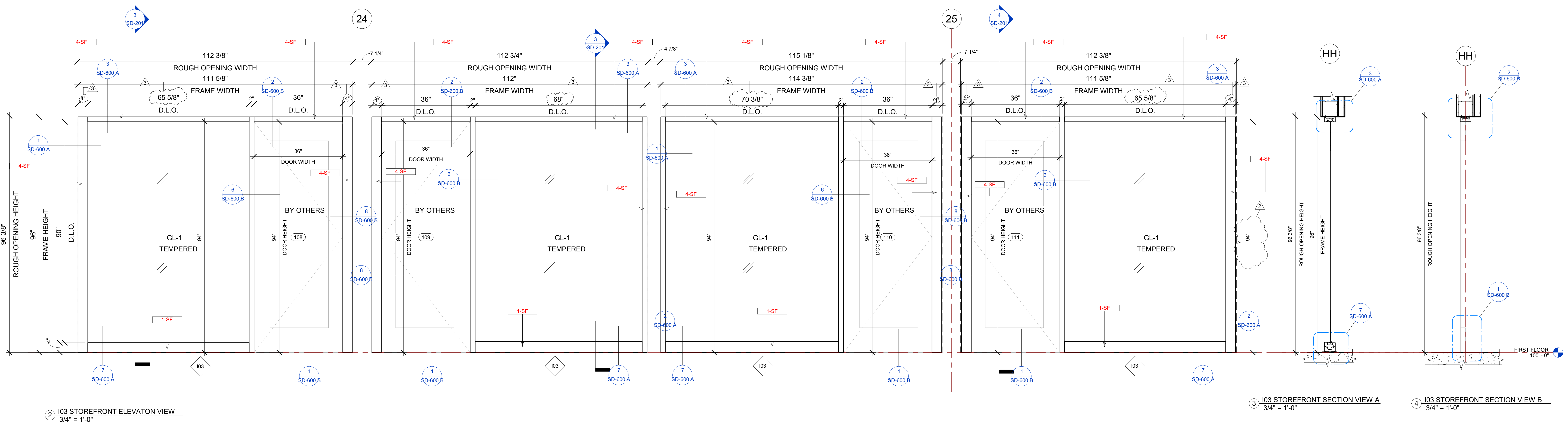
SCALE-As indicated



I03 STOREFRONT SCHEDULE											
NAME	FRAME SIZE		FRAME FINISHES				FRAME SPECIFICATION		DOOR SPECIFICATION		HARDWARE GROUP
	FRAME LENGTH	FRAME HEIGHT	MFR.	SERIES	PANEL MATERIAL	FINISHES	MULLION SIZE	GLAZING TYPE	DOOR SIZE	DOOR TAG	
I03	9' - 3 5/8"	8' - 0"	OBE	FG-3000	ALUMINIUM	ANODIZED DARK BRONZE	2" x 4 1/2"	GL-1	3'-0"x7'-10"	108	#27
I03	9' - 4"	8' - 0"	OBE	FG-3000	ALUMINIUM	ANODIZED DARK BRONZE	2" x 4 1/2"	GL-1	3'-0"x7'-10"	109	#27
I03	9' - 6 3/8"	8' - 0"	OBE	FG-3000	ALUMINIUM	ANODIZED DARK BRONZE	2" x 4 1/2"	GL-1	3'-0"x7'-10"	110	#27
I03	9' - 3 5/8"	8' - 0"	OBE	FG-3000	ALUMINIUM	ANODIZED DARK BRONZE	2" x 4 1/2"	GL-1	3'-0"x7'-10"	111	#27
Grand total: 4											

GLASS SPECIFICATIONS	
GL-1	1/4" CLEAR (TEMPERED WHERE REQUIRED/INDICATED)
GL-2	1" OA, 1/4" CLEAR, SNX 51/23, 1/2" BLACK SPACER, 1/4" CLEAR (TEMPERED WHERE REQUIRED)
GL-3	1" OA, 1/4" CLEAR, SNX 51/23, 1/2" BLACK SPACER, 1/4" CLEAR SOLID BLACK FRIT (SX2439) #4 (TEMP WHERE REQUIRED)
GL-4	1" OA, 1/4" CLEAR, SNX 51/23, 1/2" BLACK SPACER, 9/16" .060 WHITE DIFFUSED LAM/ ACID ETCH FRIT

IDAHO CONNECTION DETAILS	
TAG	DESCRIPTION
1-SF	ANCHORAGE INTO CONCRETE =USE (2) 3/8" DIA. SIMPSON TITEN HD SCREW ANCHOR WITH 2-1/2" NOMINAL DEPTH. INSTALLATION PER ICC-ES ESR-2713
4-SF	EDGE MULLION ANCHORAGE INTO STRUCTURAL STEEL=USE (2) ITW BUILDEX TEKS 12-24 TEKS/ 5 SCREW @EA SIDE OF MULLION WITH 3" MIN. SPACING, 1" MIN EDGE DISTANCE, 1/8" MIN. STEEL THICKNESS, INSTALLATION PER ICC-ES ESR-1976



BIM ARCHITECTS AND ENGINEERS  
**SIMSONA CORP.**  
 1451 Rockville Pike, Suite #250,  
 Rockville, MD 20850  
 Phone : 301-408-8553  
 Email: raj@simsona.com  
 www.simsonacadd.com

PROJECT NAME  
**IDAHO OUTDOOR FIELDHOUSE**  
 3211 E. BARBER VALLEY Dr. BOISE,  
 IDAHO 83716

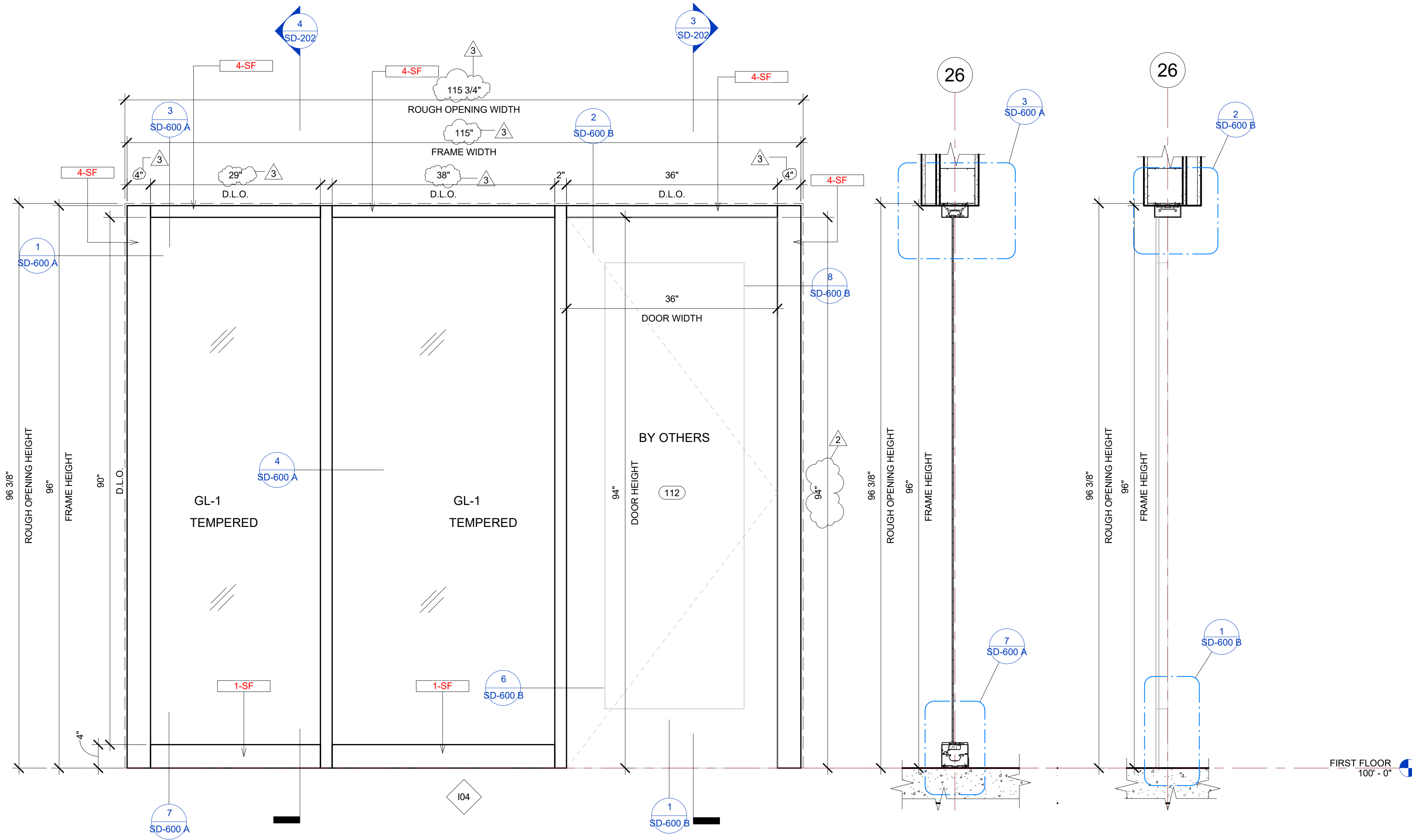
Revision Schedule		
Revision Number	Revision Description	Revision Date
2	REVISED CONCERNING SIMSONA SUBMITTAL #02	06-06-2022
3	REVISED CONCERNING SUBMITTAL#03 COMMENTS	07-12-2022
8	DESIGN CALCULATION DETAILS ADDED	08-26-2022

**I03 INTERIOR STOREFRONT DETAILS**  
 PROJECT NUMBER SIM-37  
 DATE 08-26-2022  
 Drawn by AC/AG/AY/SS  
 Checked by AP  
**SD-201**  
 SCALE- 3/4" = 1'-0"

PLOT CREATED: 08-26-2022

104 STOREFRONT SCHEDULE											
NAME	FRAME SIZE		FRAME FINISHES				FRAME SPECIFICATION		DOOR SPECIFICATION		
	FRAME LENGTH	FRAME HEIGHT	MFR.	SERIES	PANEL MATERIAL	FINISHES	MULLION SIZE	GLAZING TYPE	DOOR SIZE	DOOR TAG	HARDWARE GROUP
104	9' - 7"	8' - 0"	OBE	FG-3000	ALUMINIUM	ANODIZED DARK BRONZE	2" x 4 1/2"	GL-1	3'-0"x7'-10"	112	#27
Grand total: 1											

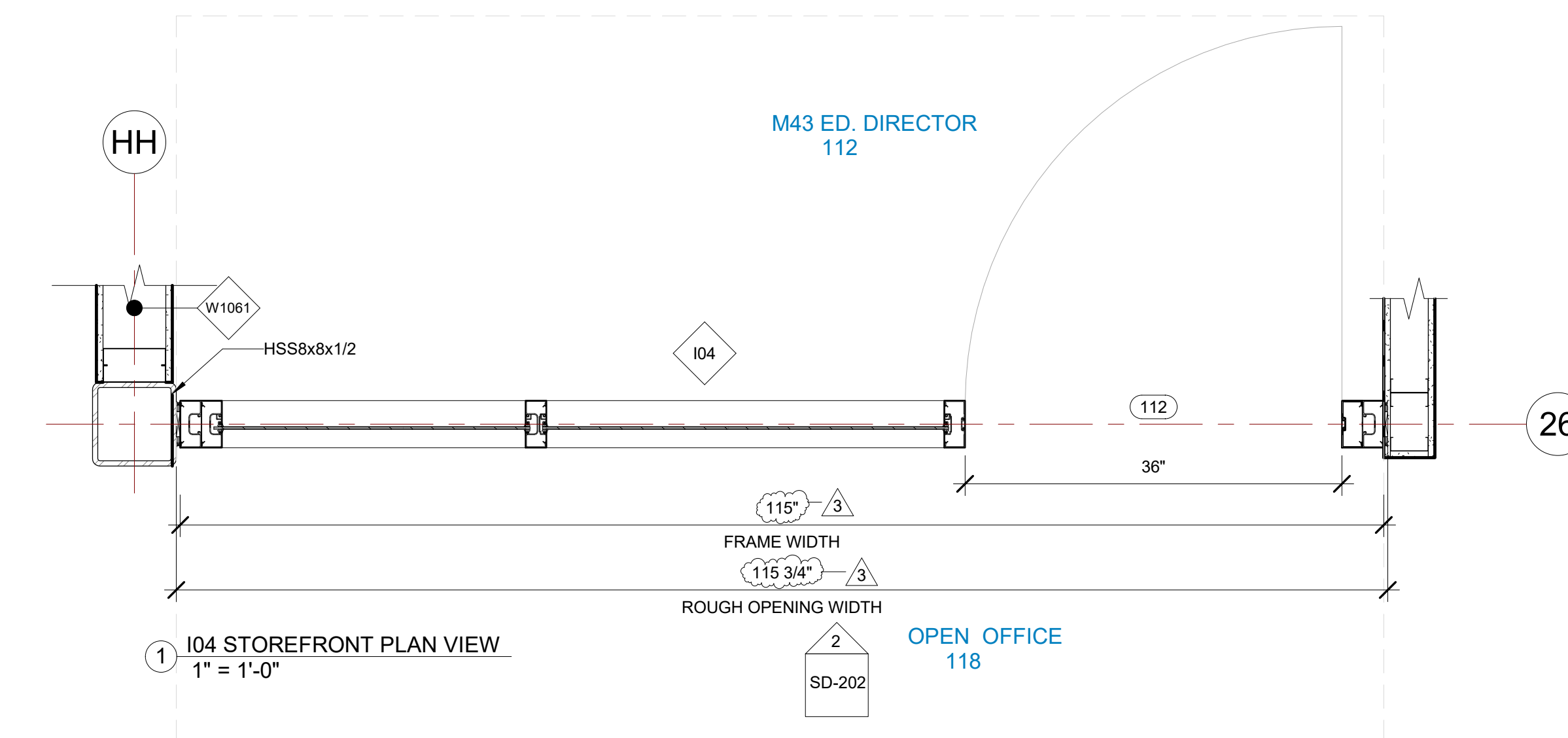
IDAHO CONNECTION DETAILS	
TAG	DESCRIPTION
1-SF	ANCHORAGE INTO CONCRETE =USE (2) 3/8" DIA. SIMPSON TITEN HD SCREW ANCHOR WITH 2-1/2" NOMINAL DEPTH, INSTALLATION PER ICC-ES ESR-2713
4-SF	EDGE MULLION ANCHORAGE INTO STRUCTURAL STEEL=USE (2) ITW BUILDEX TEKS 12-24 TEKS/ 5 SCREW @EA SIDE OF MULLION WITH 3" MIN. SPACING, 1" MIN EDGE DISTANCE, 1/8" MIN. STEEL THICKNESS, INSTALLATION PER ICC-ES ESR-1976



2 104 STOREFRONT ELEVATION VIEW  
1" = 1'-0"

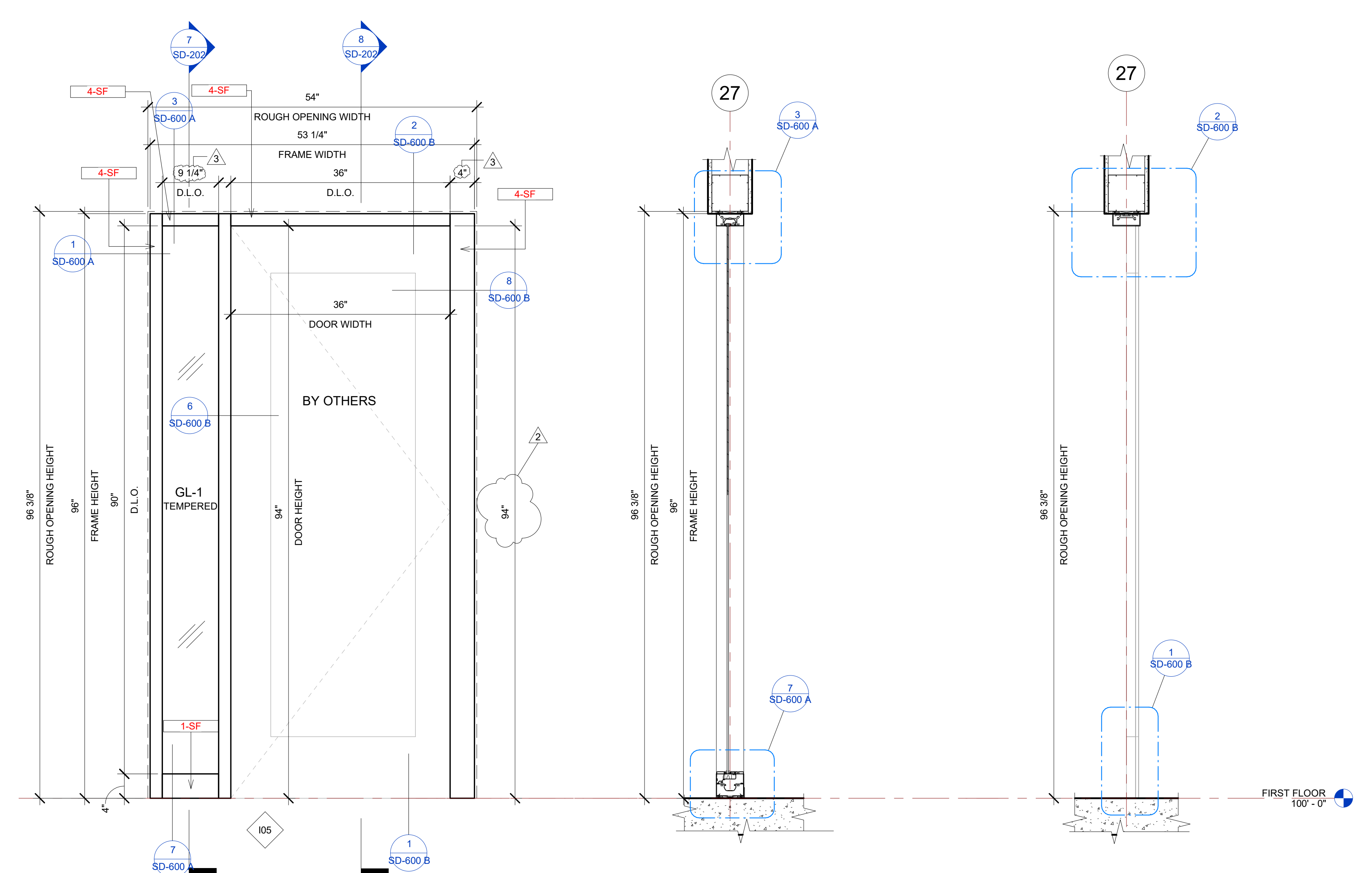
4 104 STOREFRONT SECTION VIEW B  
1" = 1'-0"

3 104 STOREFRONT SECTION VIEW A  
1" = 1'-0"



1 104 STOREFRONT PLAN VIEW  
1" = 1'-0"

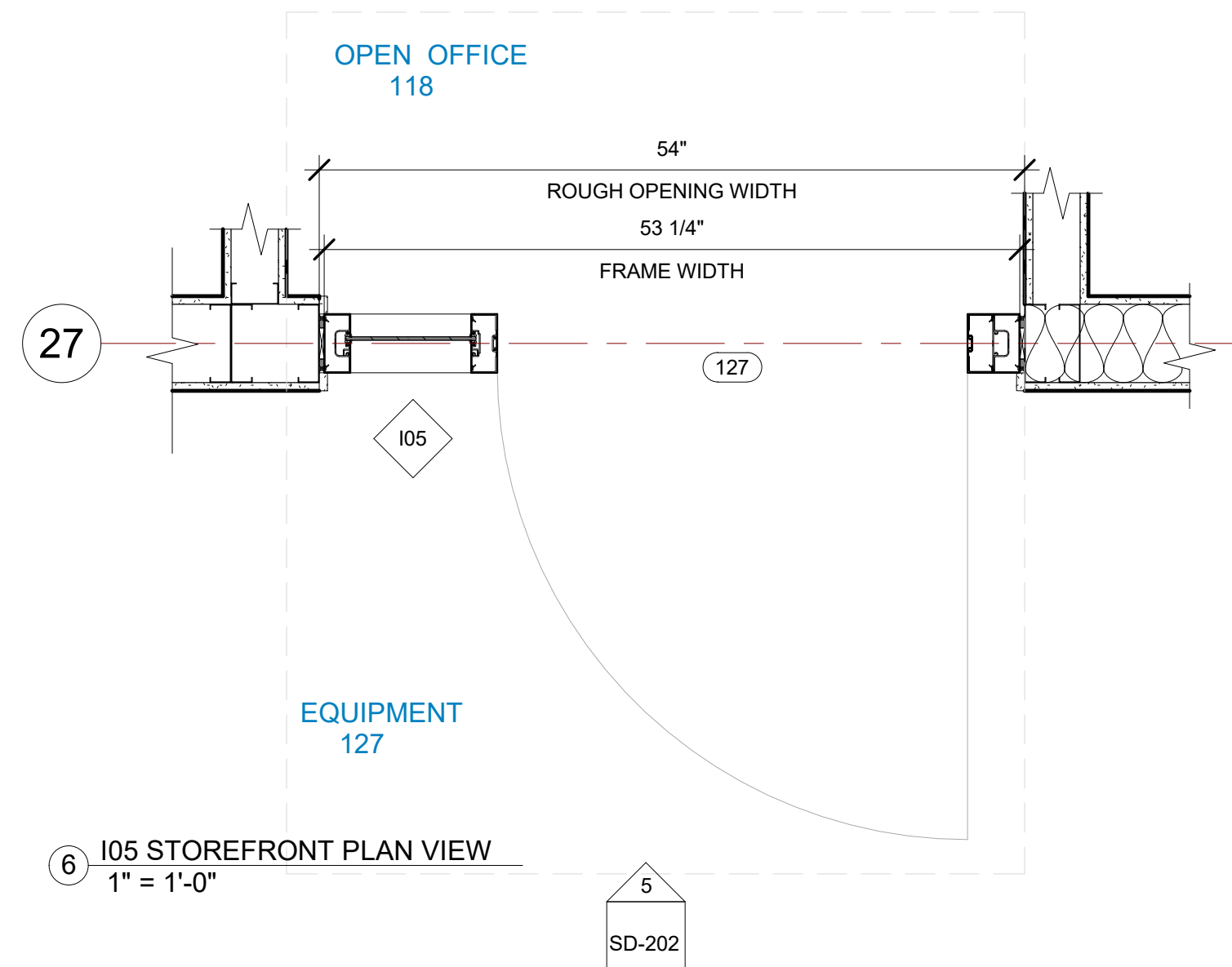
105 STOREFRONT SCHEDULE											
NAME	FRAME SIZE		FRAME FINISHES				FRAME SPECIFICATION		DOOR SPECIFICATION		
	FRAME LENGTH	FRAME HEIGHT	MFR.	SERIES	PANEL MATERIAL	FINISHES	MULLION SIZE	GLAZING TYPE	DOOR SIZE	DOOR TAG	HARDWARE GROUP
105	4' - 5 1/4"	8' - 0"	OBE	FG-3000	ALUMINIUM	ANODIZED DARK BRONZE	2" x 4 1/2"	GL-1	3'-0"x7'-10"	127D	#30
Grand total: 1											



5 105 STOREFRONT ELEVATION VIEW  
1" = 1'-0"

7 105 STOREFRONT SECTION VIEW A  
1" = 1'-0"

6 105 STOREFRONT SECTION VIEW B  
1" = 1'-0"



4 105 STOREFRONT PLAN VIEW  
1" = 1'-0"

GLASS SPECIFICATIONS	
GL-1	1/4" CLEAR (TEMPERED WHERE REQUIRED/INDICATED)
GL-2	1" OA, 1/4" CLEAR, SNX 51/23, 1/2" BLACK SPACER, 1/4" CLEAR (TEMPERED WHERE REQUIRED)
GL-3	1" OA, 1/4" CLEAR, SNX 51/23, 1/2" BLACK SPACER, 1/4" CLEAR SOLID BLACK FRIT (SX2439) #4 (TEMP WHERE REQUIRED)
GL-4	1" OA, 1/4" CLEAR, SNX 51/23, 1/2" BLACK SPACER, 9/16" .060 WHITE DIFFUSED LAMI/ ACID ETCH FRIT

BIM ARCHITECTS AND ENGINEERS

**SIMSONA CORP.**

1451 Rockville Pike, Suite #250,  
Rockville, MD 20850

Phone : 301-408-8553

Email: raj@simsona.com

www.simsonacadd.com

PROJECT NAME

IDAHO OUTDOOR FIELDHOUSE

3211 E. BARBER VALLEY Dr. BOISE,  
IDAHO 83716

Revision Schedule

Revision Number	Revision Description	Revision Date
2	REVISED CONCERNING SIMSONA SUBMITTAL #02	06-06-2022
3	REVISED CONCERNING SUBMITTAL#03 COMMENTS	07-12-2022
8	DESIGN CALCULATION DETAILS ADDED	08-26-2022

104, 105 INTERIOR STOREFRONT  
DETAILS

PROJECT NUMBER SIM-37

DATE 08-26-2022

Drawn by AC/AG/AY/SS

Checked by AP

SD-202

SCALE-As indicated

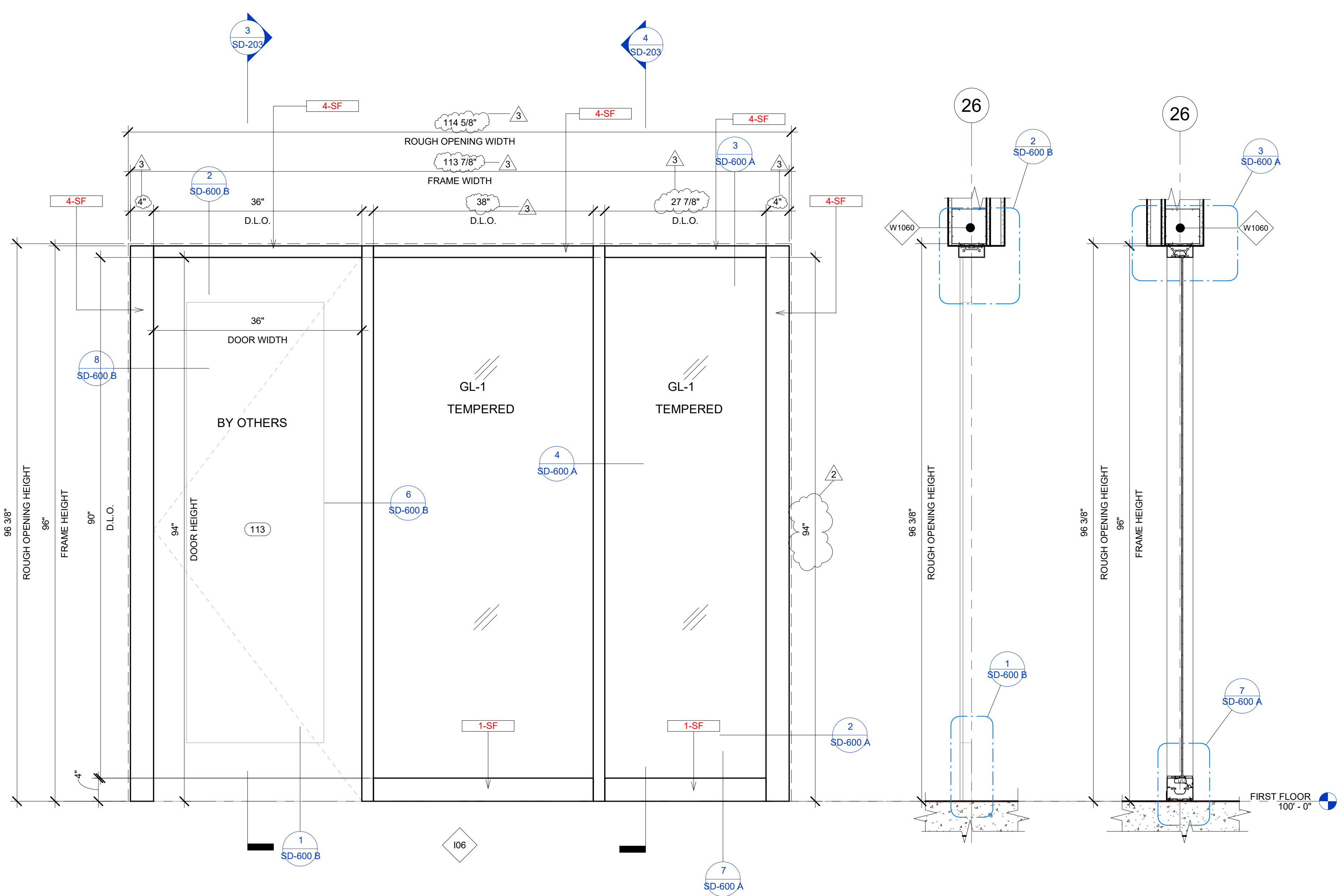
PLOT CREATED: 08-26-2022

I06 STOREFRONT SCHEDULE											
NAME	FRAME SIZE		FRAME FINISHES				FRAME SPECIFICATION		DOOR SIZE	DOOR TAG	HARDWARE GROUP
	FRAME LENGTH	FRAME HEIGHT	MFR.	SERIES	PANEL MATERIAL	FINISHES	MULLION SIZE	GLAZING TYPE			
I06	9' - 5 7/8"	8' - 0"	OBE	FG-3000	ALUMINIUM	ANODIZED DARK BRONZE	2" x 4 1/2"	GL-1	3'-0"x7'-10"	113	#27
Grand total: 1											

IDAHO CONNECTION DETAILS	
TAG	DESCRIPTION
1-SF	ANCHORAGE INTO CONCRETE =USE (2) 3/8" DIA. SIMPSON TITEN HD SCREW ANCHOR WITH 2-1/2" NOMINAL DEPTH, INSTALLATION PER ICC-ES ESR-2713
4-SF	EDGE MULLION ANCHORAGE INTO STRUCTURAL STEEL=USE (2) ITW BUILDEX TEKS 12-24 TEKS/ 5 SCREW @EA SIDE OF MULLION WITH 3" MIN. SPACING, 1" MIN EDGE DISTANCE, 1/8" MIN. STEEL THICKNESS, INSTALLATION PER ICC-ES ESR-1976

I07 STOREFRONT SCHEDULE											
NAME	FRAME SIZE		FRAME FINISHES				FRAME SPECIFICATION		DOOR SIZE	DOOR TAG	HARDWARE GROUP
	FRAME LENGTH	FRAME HEIGHT	MFR.	SERIES	PANEL MATERIAL	FINISHES	MULLION SIZE	GLAZING TYPE			
I07	9' - 11 1/4"	8' - 0"	OBE	FG-3000	ALUMINIUM	ANODIZED DARK BRONZE	2" x 4 1/2"	GL-1	3'-0"x7'-10"	114A	#27
Grand total: 1											

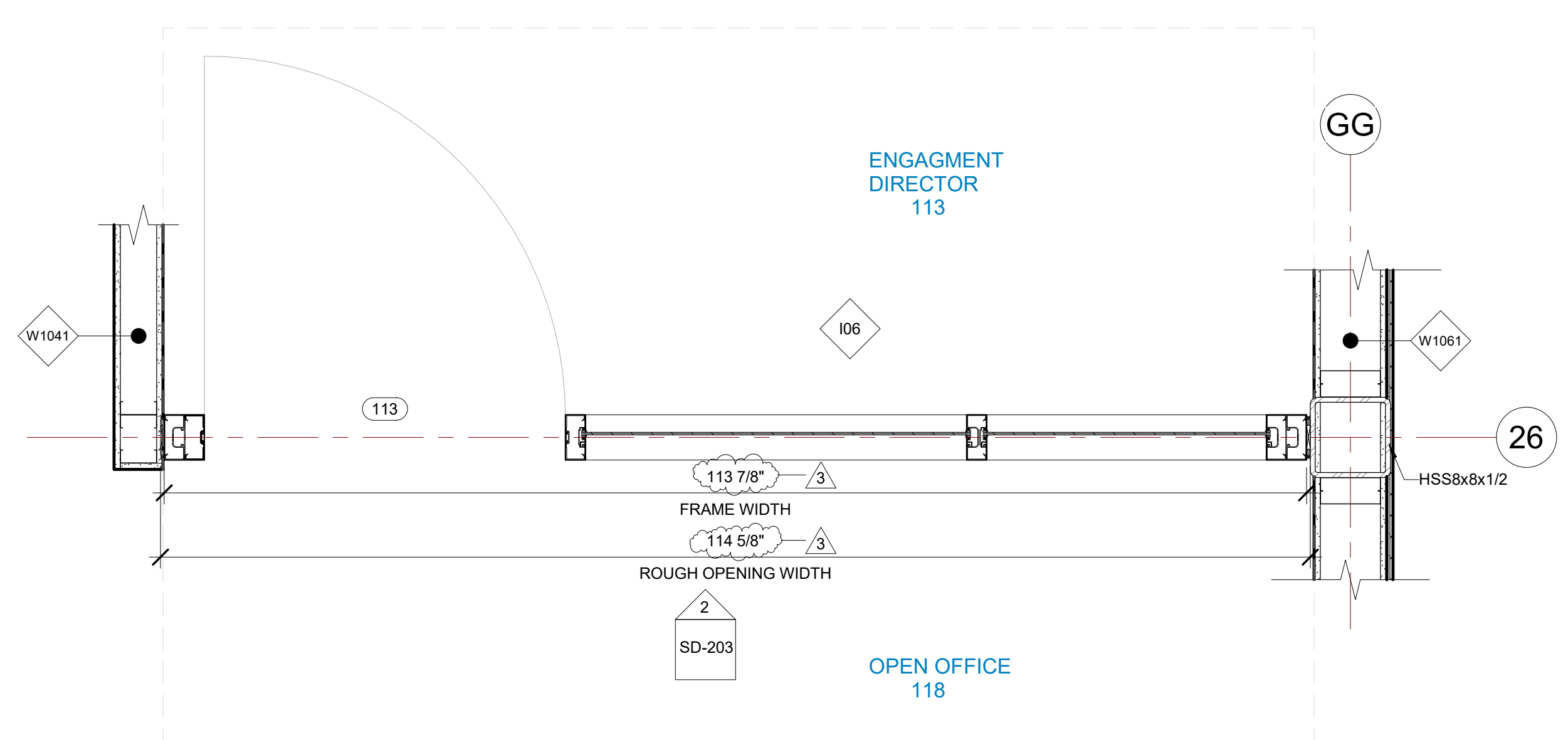
GLASS SPECIFICATIONS	
GL-1	1/4" CLEAR (TEMPERED WHERE REQUIRED/INDICATED)
GL-2	1" OA, 1/4" CLEAR, SNX 51/23, 1/2" BLACK SPACER, 1/4" CLEAR (TEMPERED WHERE REQUIRED)
GL-3	1" OA, 1/4" CLEAR, SNX 51/23, 1/2" BLACK SPACER, 1/4" CLEAR SOLID BLACK FRIT (SX2439) #4 (TEMP WHERE REQUIRED)
GL-4	1" OA, 1/4" CLEAR, SNX 51/23, 1/2" BLACK SPACER, 9/16" .060 WHITE DIFFUSED LAMI/ ACID ETCH FRIT



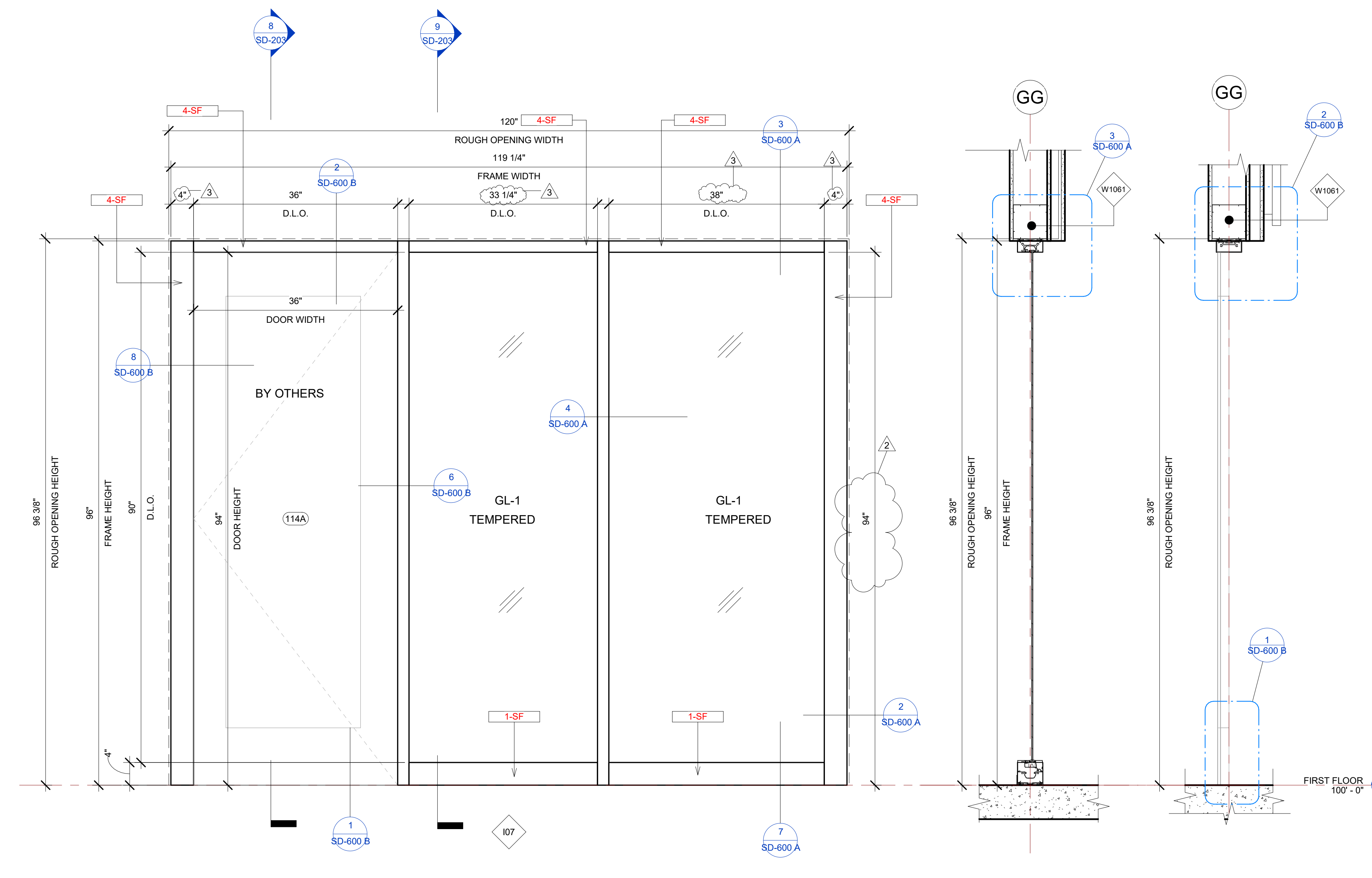
2 I06 STOREFRONT ELEVATION VIEW  
1" = 1'-0"

3 I06 STOREFRONT SECTION VIEW A  
1" = 1'-0"

4 I06 STOREFRONT SECTION VIEW B  
1" = 1'-0"



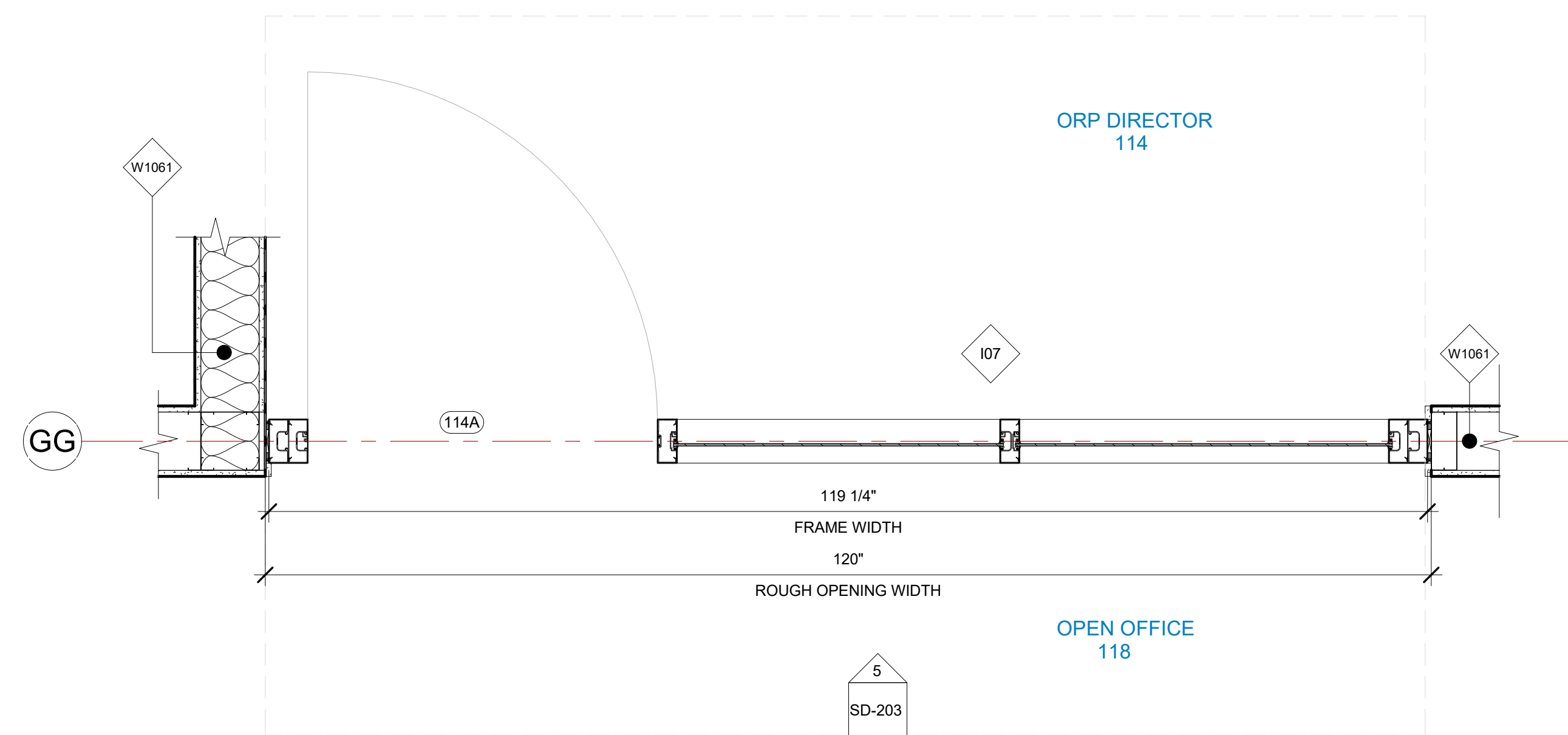
1 I06 STOREFRONT PLAN VIEW  
1" = 1'-0"



5 I07 STOREFRONT ELEVATION VIEW  
1" = 1'-0"

9 I07 STOREFRONT SECTION VIEW B  
1" = 1'-0"

8 I07 STOREFRONT SECTION VIEW A  
1" = 1'-0"



7 I07 STOREFRONT PLAN VIEW  
1" = 1'-0"

BIM ARCHITECTS AND ENGINEERS  
**SIMSONA CORP.**  
 1451 Rockville Pike, Suite #250,  
 Rockville, MD 20850  
 Phone : 301-408-8553  
 Email: raj@simsona.com  
 www.simsonacadd.com

PROJECT NAME  
**IDAHO OUTDOOR FIELDHOUSE**  
 3211 E. BARBER VALLEY Dr. BOISE,  
 IDAHO 83716

Revision Schedule		
Revision Number	Revision Description	Revision Date
2	REVISED CONCERNING SIMSONA SUBMITTAL #02	06-06-2022
3	REVISED CONCERNING SUBMITTAL#03 COMMENTS	07-12-2022
8	DESIGN CALCULATION DETAILS ADDED	08-26-2022

**I06, I07 INTERIOR STOREFRONT DETAILS**  
 PROJECT NUMBER SIM-37  
 DATE 08-26-2022  
 Drawn by AC/AG/AY/SS  
 Checked by AP  
**SD-203**  
 SCALE-As indicated

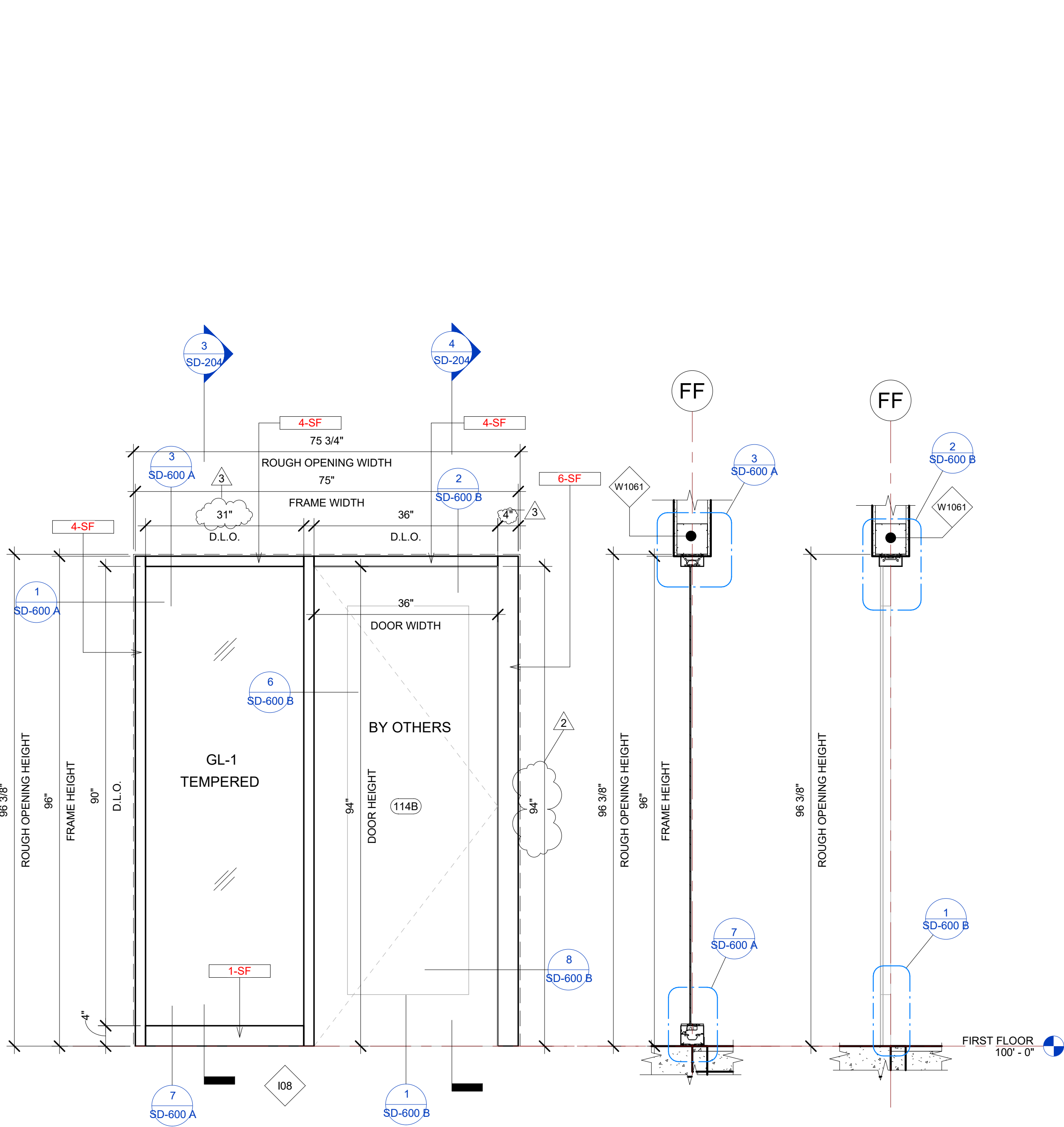
PLOT CREATED: 08-26-2022

108 STOREFRONT SCHEDULE											
NAME	FRAME SIZE		FRAME FINISHES				FRAME SPECIFICATION		DOOR SIZE	DOOR TAG	HARDWARE GROUP
	FRAME LENGTH	FRAME HEIGHT	MFR.	SERIES	PANEL MATERIAL	FINISHES	MULLION SIZE	GLAZING TYPE			
108	6' - 3"	8' - 0"	OBE	FG-3000	ALUMINIUM	ANODIZED DARK BRONZE	2" x 4 1/2"	GL-1	3'-0"x7'-10"	114B	#27
Grand total: 1											

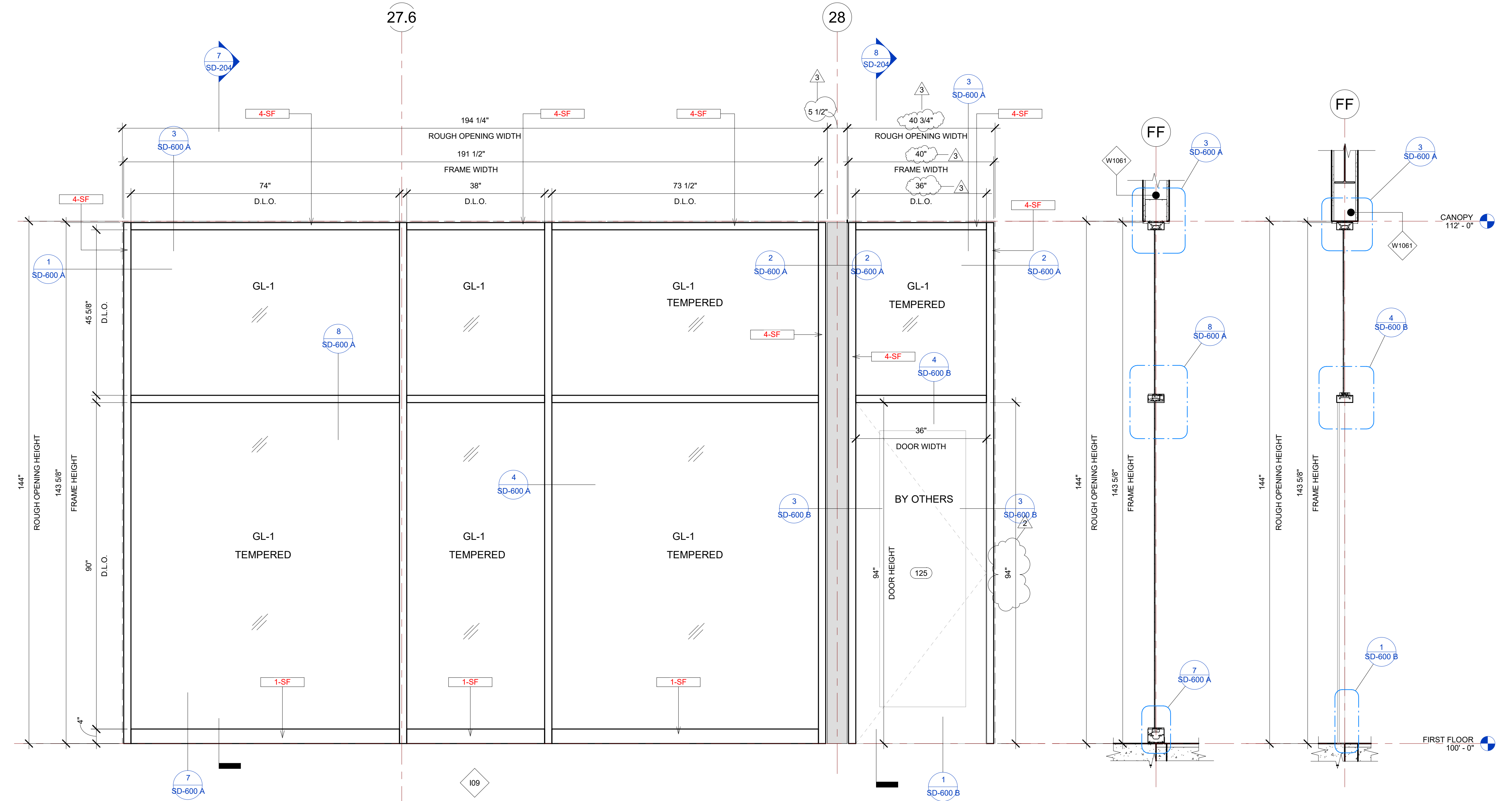
IDAHO CONNECTION DETAILS	
TAG	DESCRIPTION
1-SF	ANCHORAGE INTO CONCRETE =USE (2) 3/8" DIA. SIMPSON TITEN HD SCREW ANCHOR WITH 2-1/2" NOMINAL DEPTH, INSTALLATION PER ICC-ES ESR-2713
4-SF	EDGE MULLION ANCHORAGE INTO STRUCTURAL STEEL=USE (2) ITW BUILDEX TEKS 12-24 TEKS/ 5 SCREW @EA SIDE OF MULLION WITH 3" MIN. SPACING, 1" MIN EDGE DISTANCE, 1/8" MIN. STEEL THICKNESS, INSTALLATION PER ICC-ES ESR-1976
6-SF	ANCHORAGE INTO WOOD=(2) 3/8" DIA. LAG SCREW WITH 3" PENETRATION DEPTH

109 STOREFRONT SCHEDULE											
NAME	FRAME SIZE		FRAME FINISHES				FRAME SPECIFICATION		DOOR SIZE	DOOR TAG	HARDWARE GROUP
	FRAME LENGTH	FRAME HEIGHT	MFR.	SERIES	PANEL MATERIAL	FINISHES	MULLION SIZE	GLAZING TYPE			
109	16' - 1 15/32"	11' - 11 5/8"	OBE	FG-3000	ALUMINIUM	ANODIZED DARK BRONZE	2" x 4 1/2"	GL-1	3'-0"x7'-10"	125	#17
109	3' - 4"	11' - 11 5/8"	OBE	FG-3000	ALUMINIUM	ANODIZED DARK BRONZE	2" x 4 1/2"	GL-1	3'-0"x7'-10"	125	#17
Grand total: 2											

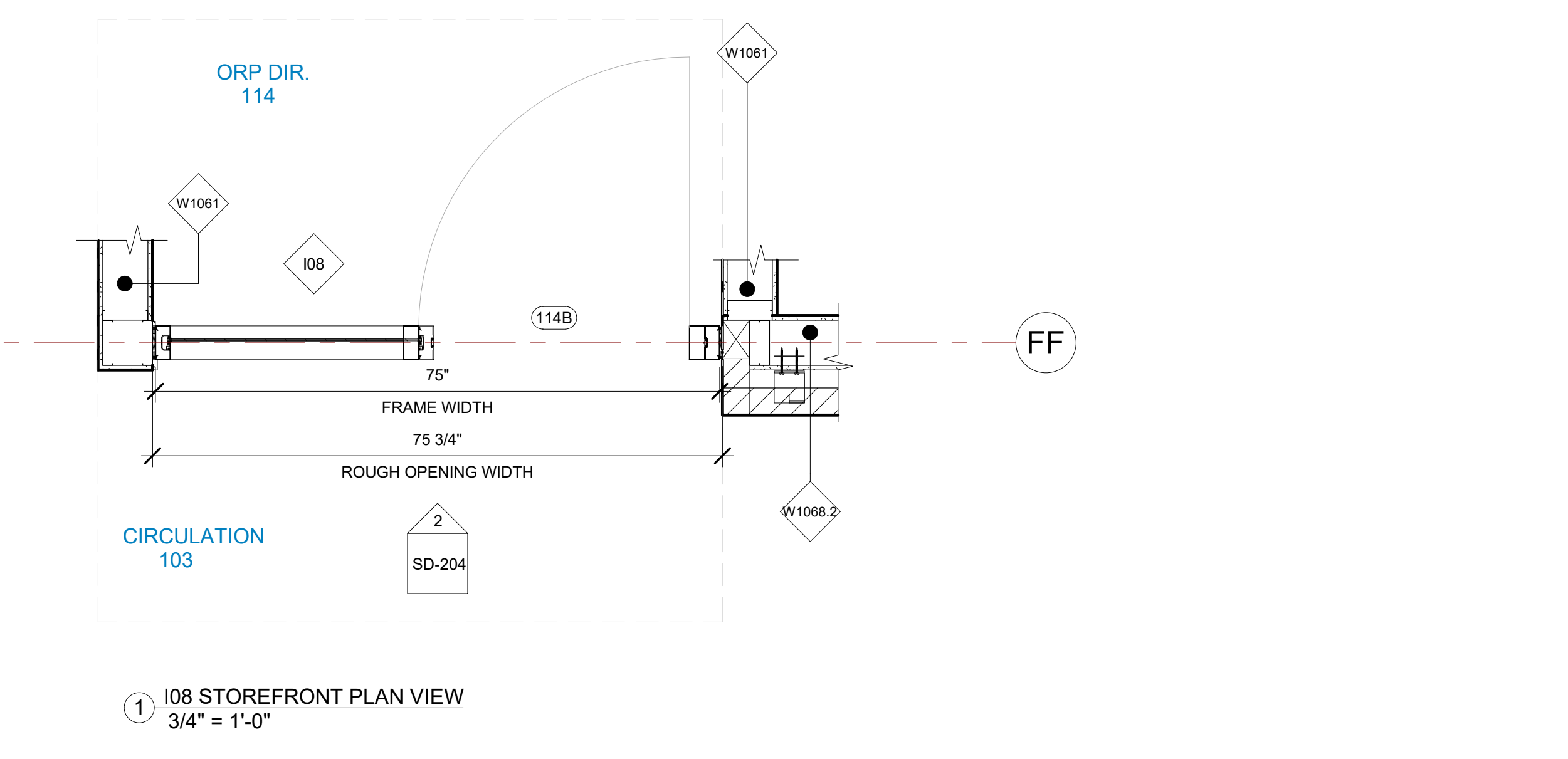
GLASS SPECIFICATIONS	
GL-1	1/4" CLEAR (TEMPERED WHERE REQUIRED/INDICATED)
GL-2	1" OA, 1/4" CLEAR, SNX 51/23, 1/2" BLACK SPACER, 1/4" CLEAR (TEMPERED WHERE REQUIRED)
GL-3	1" OA, 1/4" CLEAR, SNX 51/23, 1/2" BLACK SPACER, 1/4" CLEAR SOLID BLACK FRIT (SX2439) #4 (TEMP WHERE REQUIRED)
GL-4	1" OA, 1/4" CLEAR, SNX 51/23, 1/2" BLACK SPACER, 9/16" .060 WHITE DIFFUSED LAMI/ ACID ETCH FRIT



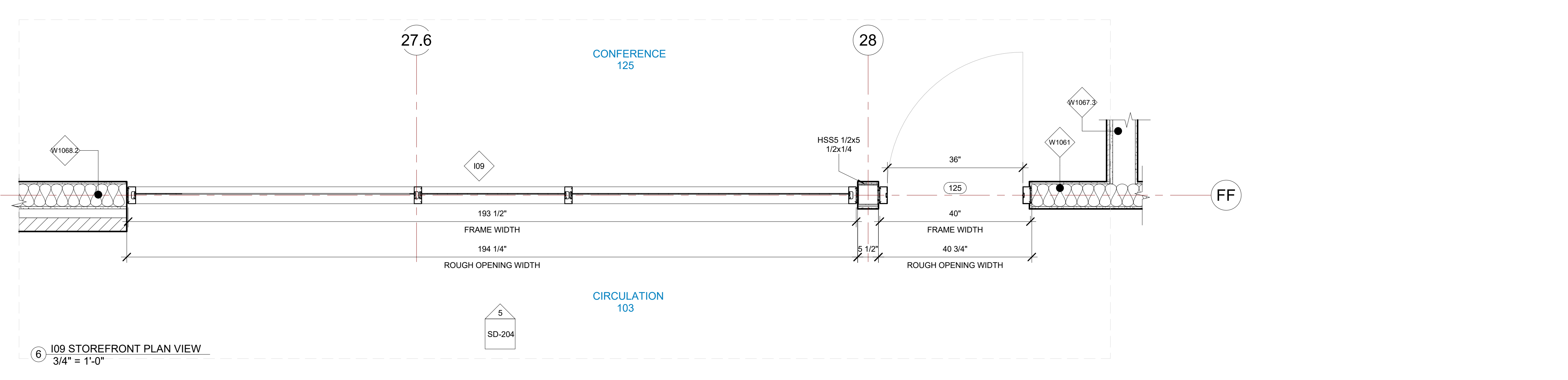
2 108 STOREFRONT ELEVATION VIEW 3/4" = 1'-0"  
 3 108 STOREFRONT SECTION VIEW A 3/4" = 1'-0"  
 4 108 STOREFRONT SECTION VIEW B 3/4" = 1'-0"



5 109 STOREFRONT ELEVATION VIEW 3/4" = 1'-0"  
 7 109 STOREFRONT SECTION VIEW A 3/4" = 1'-0"  
 8 109 STOREFRONT SECTION VIEW B 3/4" = 1'-0"



1 108 STOREFRONT PLAN VIEW 3/4" = 1'-0"



6 109 STOREFRONT PLAN VIEW 3/4" = 1'-0"

BIM ARCHITECTS AND ENGINEERS  
**SIMSONA CORP.**  
 1451 Rockville Pike, Suite #250,  
 Rockville, MD 20850  
 Phone : 301-408-8553  
 Email: raj@simsona.com  
 www.simsonacadd.com

PROJECT NAME  
**IDAHO OUTDOOR FIELDHOUSE**  
 3211 E. BARBER VALLEY Dr. BOISE,  
 IDAHO 83716

Revision Schedule		
Revision Number	Revision Description	Revision Date
2	REVISED CONCERNING SIMSONA SUBMITTAL #02	06-06-2022
3	REVISED CONCERNING SUBMITTAL#03 COMMENTS	07-12-2022
8	DESIGN CALCULATION DETAILS ADDED	08-26-2022

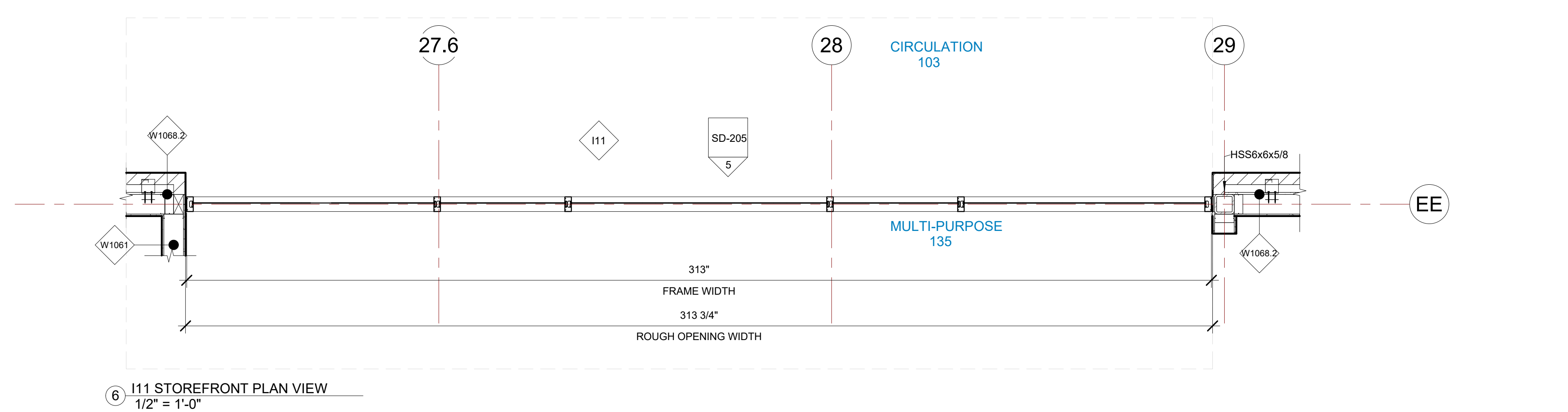
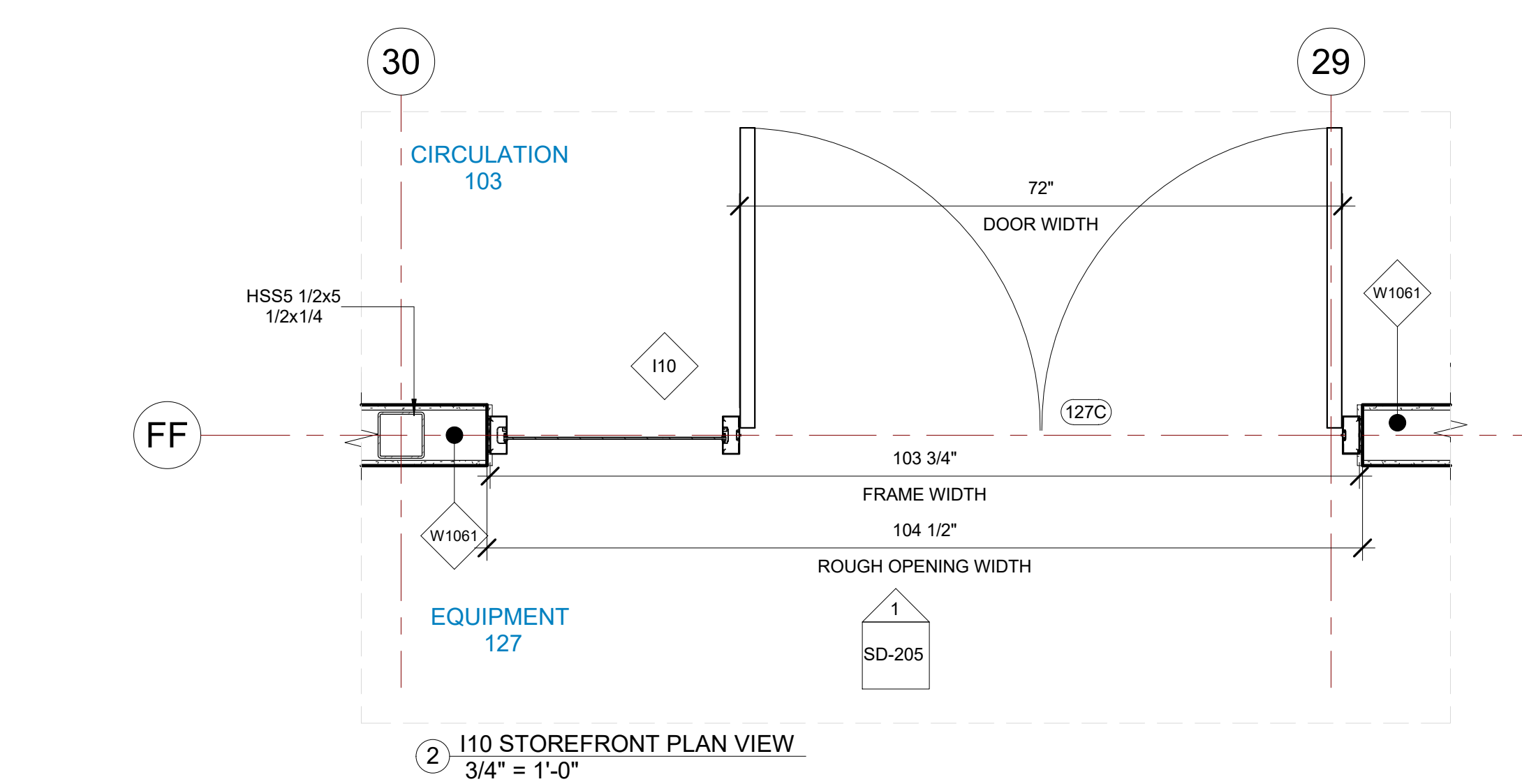
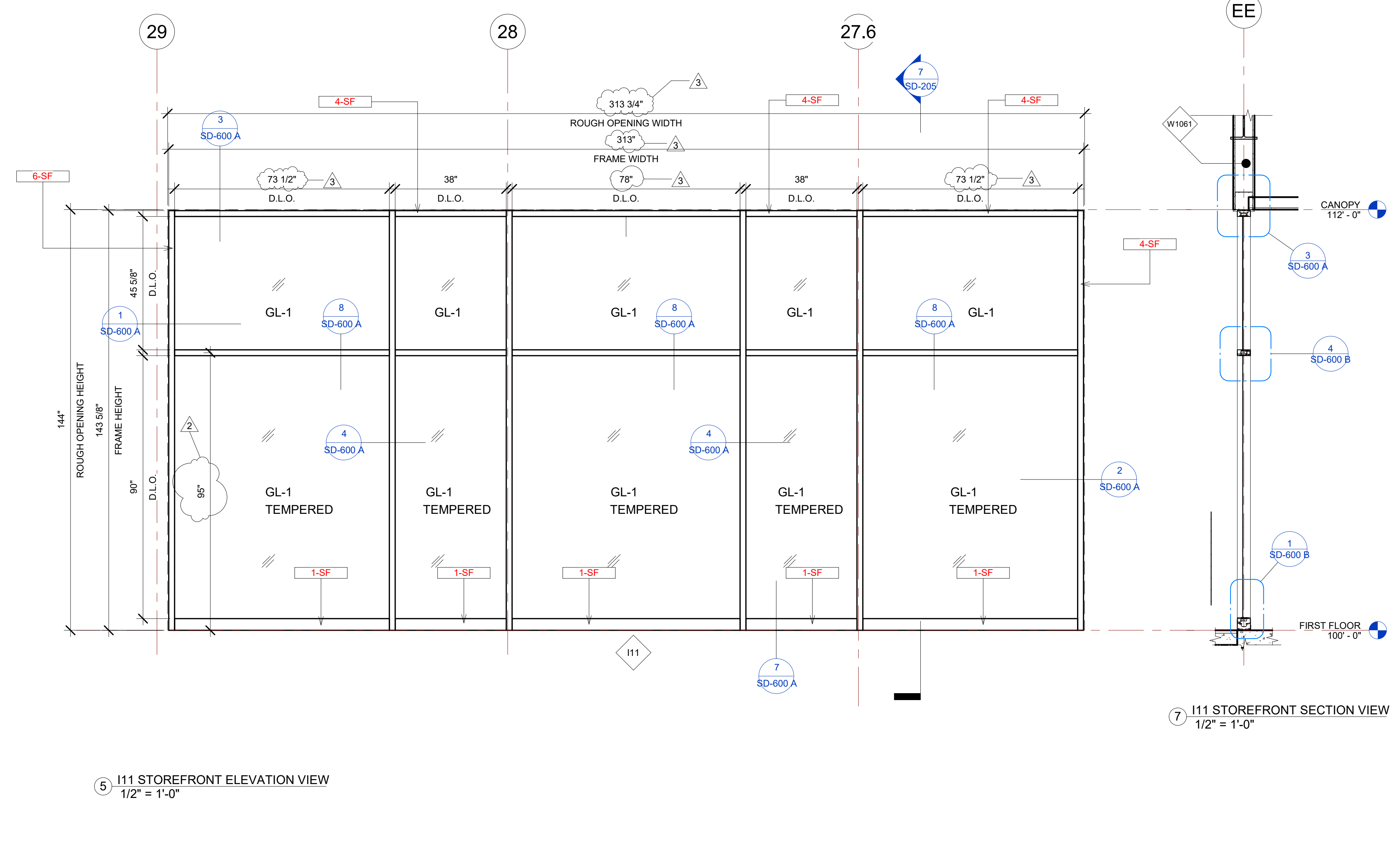
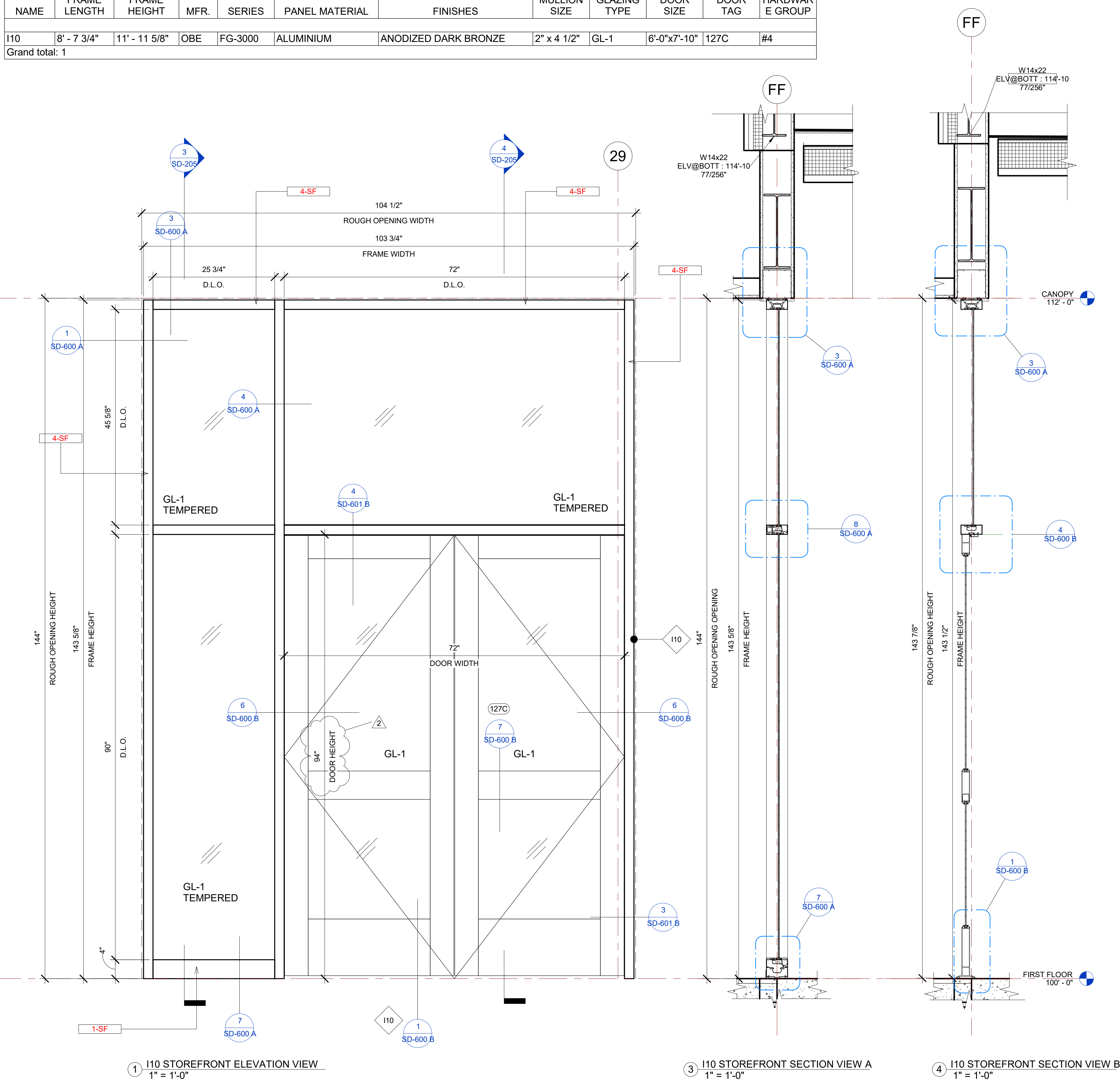
108, 109 INTERIOR STOREFRONT DETAILS	
PROJECT NUMBER	SIM-37
DATE	08-26-2022
Drawn by	AC/AG/AY/SS
Checked by	AP
<b>SD-204</b>	
SCALE- 3/4" = 1'-0"	

I10 STOREFRONT SCHEDULE											
NAME	FRAME SIZE		FRAME FINISHES				FRAME SPECIFICATION		DOOR SPECIFICATIONS		HARDWARE GROUP
	FRAME LENGTH	FRAME HEIGHT	MFR.	SERIES	PANEL MATERIAL	FINISHES	MULLION SIZE	GLAZING TYPE	DOOR SIZE	DOOR TAG	
I10	8' - 7 3/4"	11' - 11 5/8"	OBE	FG-3000	ALUMINIUM	ANODIZED DARK BRONZE	2" x 4 1/2"	GL-1	6'-0"x7'-10"	127C	#4
Grand total: 1											

I11 STOREFRONT SCHEDULE											
NAME	FRAME SIZE		FRAME FINISHES				FRAME SPECIFICATION		DOOR SPECIFICATIONS		HARDWARE GROUP
	FRAME LENGTH	FRAME HEIGHT	MFR.	SERIES	PANEL MATERIAL	FINISHES	MULLION SIZE	GLAZING TYPE	DOOR SIZE	DOOR TAG	
I11	26' - 1"	11' - 11 5/8"	OBE	FG-3000	ALUMINIUM	ANODIZED DARK BRONZE	2" x 4 1/2"	GL-1			
Grand total: 1											

GLASS SPECIFICATIONS	
GL-1	1/4" CLEAR (TEMPERED WHERE REQUIRED/INDICATED)
GL-2	1" OA, 1/4" CLEAR, SNX 51/23, 1/2" BLACK SPACER, 1/4" CLEAR (TEMPERED WHERE REQUIRED)
GL-3	1" OA, 1/4" CLEAR, SNX 51/23, 1/2" BLACK SPACER, 1/4" CLEAR SOLID BLACK FRIT (SX2439) #4 (TEMP WHERE REQUIRED)
GL-4	1" OA, 1/4" CLEAR, SNX 51/23, 1/2" BLACK SPACER, 9/16" .060 WHITE DIFFUSED LAMI/ ACID ETCH FRIT

IDAHO CONNECTION DETAILS	
TAG	DESCRIPTION
1-SF	ANCHORAGE INTO CONCRETE=USE (2) 3/8" DIA. SIMPSON TITEN HD SCREW ANCHOR WITH 2-1/2" NOMINAL DEPTH, INSTALLATION PER ICC-ES ESR-2713
4-SF	EDGE MULLION ANCHORAGE INTO STRUCTURAL STEEL=USE (2) ITW BUILDEX TEKS 12-24 TEKS/ 5 SCREW @EA SIDE OF MULLION WITH 3" MIN. SPACING, 1" MIN EDGE DISTANCE, 1/8" MIN. STEEL THICKNESS, INSTALLATION PER ICC-ES ESR-1976
6-SF	ANCHORAGE INTO WOOD=(2) 3/8" DIA. LAG SCREW WITH 3" PENETRATION DEPTH



BIM ARCHITECTS AND ENGINEERS  
**SIMSONA CORP.**  
 1451 Rockville Pike, Suite #250,  
 Rockville, MD 20850  
 Phone : 301-408-8553  
 Email: raj@simsona.com  
 www.simsonacadd.com

PROJECT NAME  
**IDAHO OUTDOOR FIELDHOUSE**  
 3211 E. BARBER VALLEY Dr. BOISE,  
 IDAHO 83716

Revision Schedule		
Revision Number	Revision Description	Revision Date
2	REVISED CONCERNING SIMSONA SUBMITTAL #02	06-06-2022
3	REVISED CONCERNING SUBMITTAL#03 COMMENTS	07-12-2022
8	DESIGN CALCULATION DETAILS ADDED	08-26-2022

**I10, I11 INTERIOR STOREFRONT DETAILS**  
 PROJECT NUMBER SIM-37  
 DATE 08-26-2022  
 Drawn by AC/AG/AY/SS  
 Checked by AP  
 SD-205  
 SCALE-As indicated

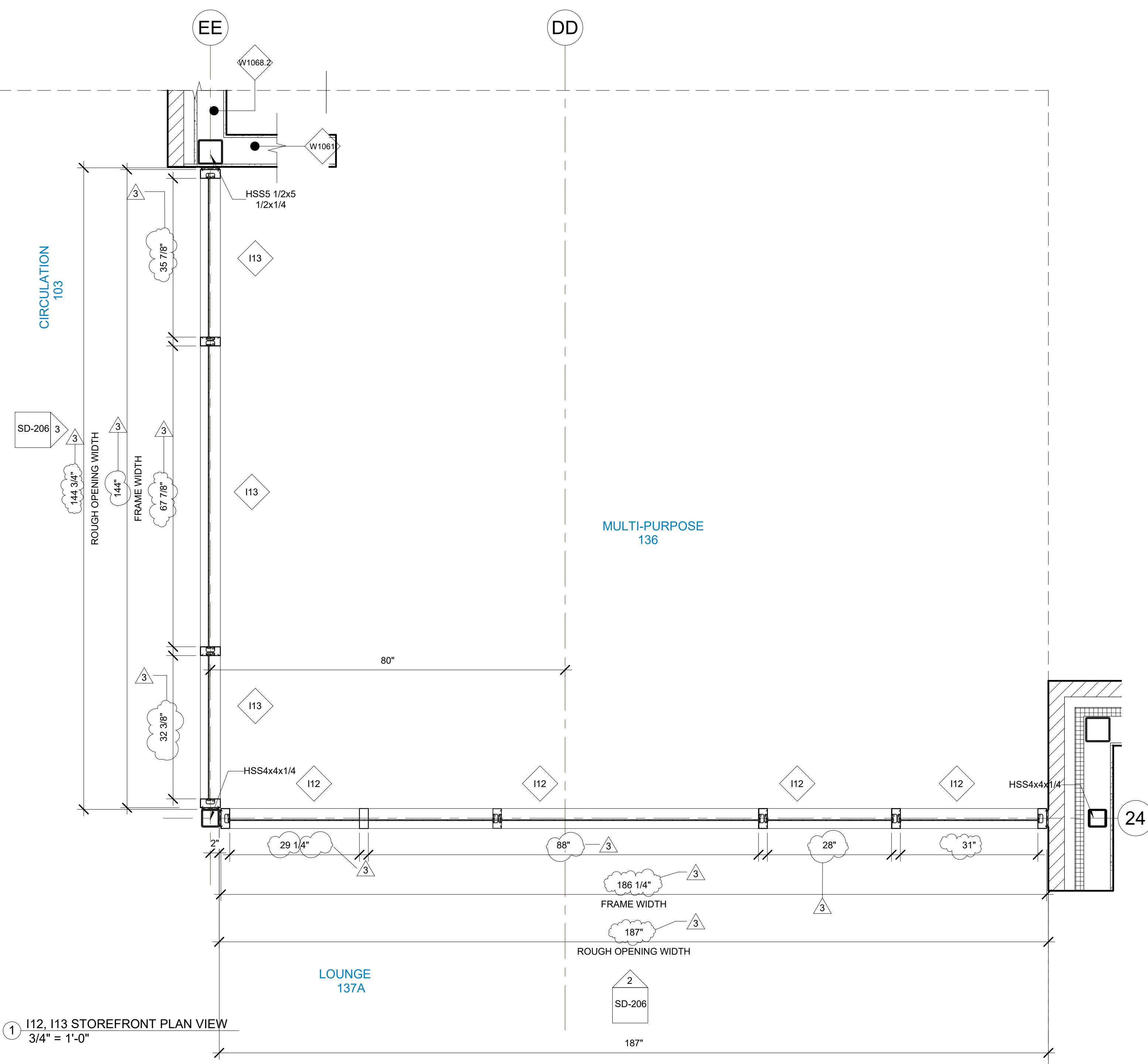
PLOT CREATED: 08-26-2022

I12 STOREFRONT SCHEDULE								
NAME	FRAME SIZE		FRAME FINISHES				FRAME SPECIFICATION	
	FRAME LENGTH	FRAME HEIGHT	MFR.	SERIES	PANEL MATERIAL	FINISHES	MULLION SIZE	GLAZING TYPE
I12	15' - 6 1/4"	2' - 8 3/4"	OBE	FG-3000	ALUMINIUM	ANODIZED DARK BRONZE	2" x 4 1/2"	GL-1
Grand total: 1								

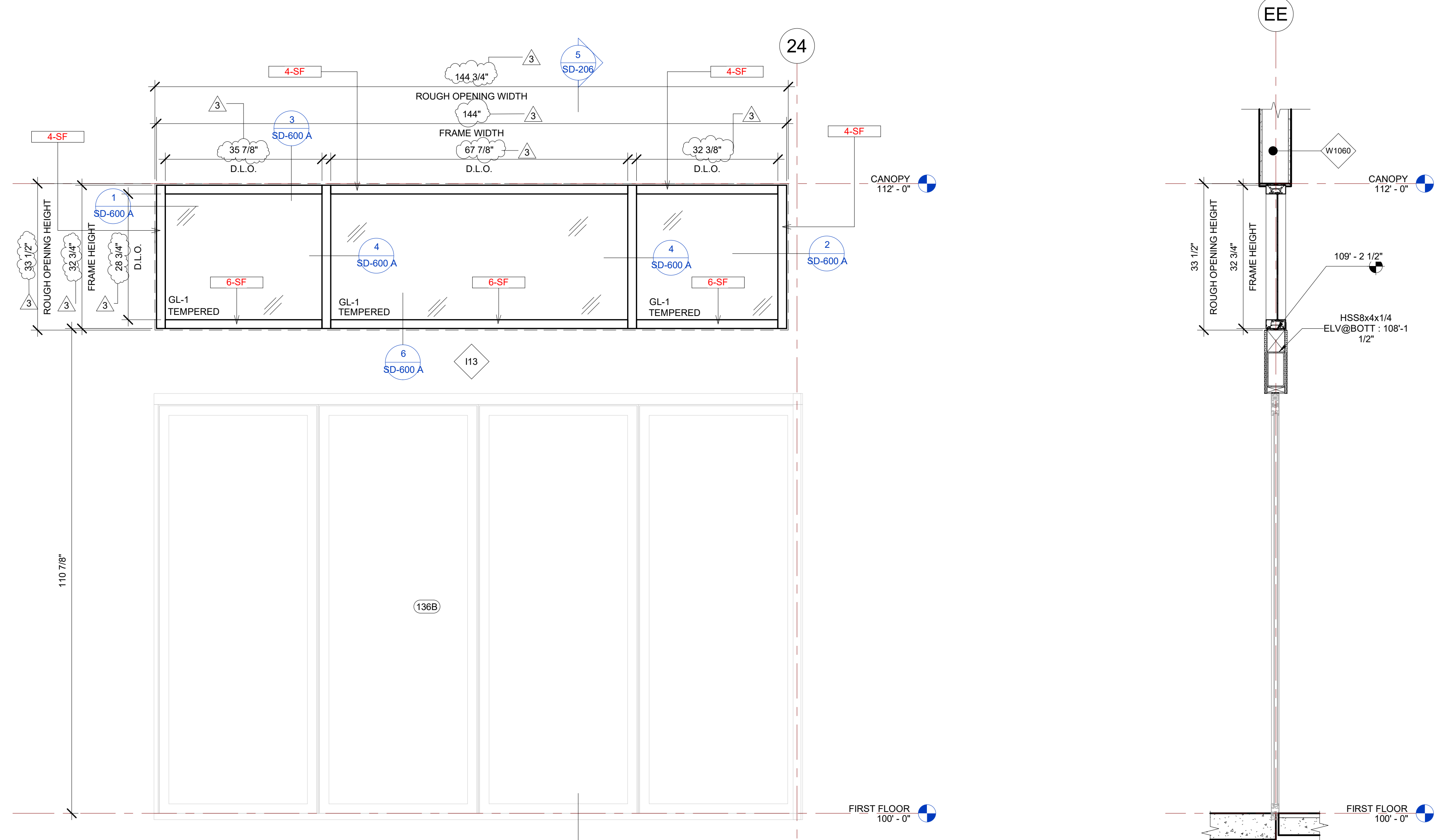
I13 STOREFRONT SCHEDULE								
NAME	FRAME SIZE		FRAME FINISHES				FRAME SPECIFICATION	
	FRAME LENGTH	FRAME HEIGHT	MFR.	SERIES	PANEL MATERIAL	FINISHES	MULLION SIZE	GLAZING TYPE
I13	12' - 0"	2' - 8 3/4"	OBE	FG-3000	ALUMINIUM	ANODIZED DARK BRONZE	2" x 4 1/2"	GL-1
Grand total: 1								

IDAHO CONNECTION DETAILS	
TAG	DESCRIPTION
4-SF	EDGE MULLION ANCHORAGE INTO STRUCTURAL STEEL=USE (2) ITW BUILDDEX TEKS 12-24 TEKS/ 5 SCREW @EA SIDE OF MULLION WITH 3" MIN. SPACING, 1" MIN EDGE DISTANCE, 1/8" MIN. STEEL THICKNESS, INSTALLATION PER ICC-ES ESR-1978
6-SF	ANCHORAGE INTO WOOD=(2) 3/8" DIA. LAG SCREW WITH 3" PENETRATION DEPTH

GLASS SPECIFICATIONS	
GL-1	1/4" CLEAR (TEMPERED WHERE REQUIRED/INDICATED)
GL-2	1" OA, 1/4" CLEAR, SNX 51/23, 1/2" BLACK SPACER, 1/4" CLEAR (TEMPERED WHERE REQUIRED)
GL-3	1" OA, 1/4" CLEAR, SNX 51/23, 1/2" BLACK SPACER, 1/4" CLEAR SOLID BLACK FRIT (SX2439) #4 (TEMP WHERE REQUIRED)
GL-4	1" OA, 1/4" CLEAR, SNX 51/23, 1/2" BLACK SPACER, 9/16" .060 WHITE DIFFUSED LAMI/ ACID ETCH FRIT

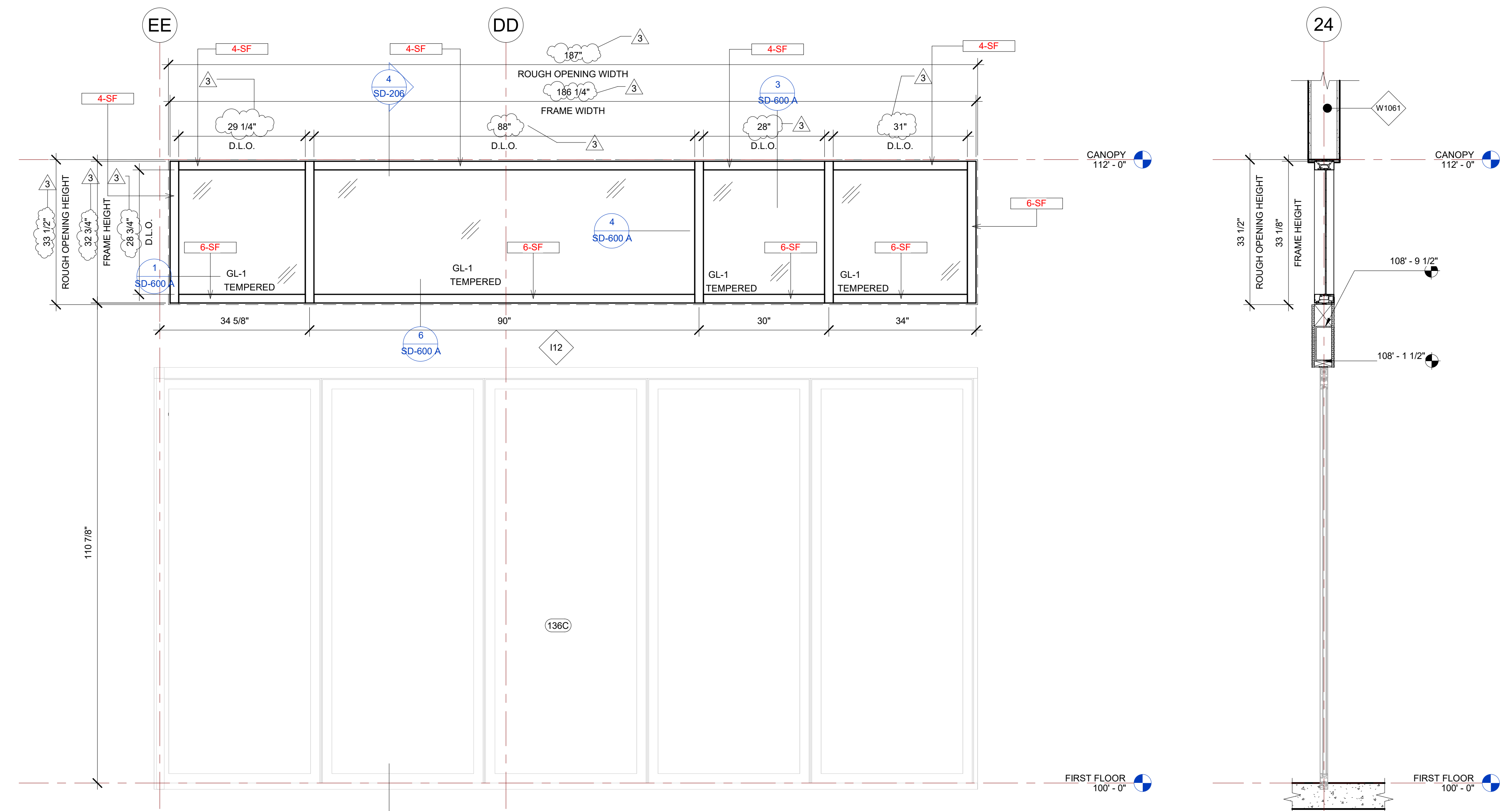


1 I12, I13 STOREFRONT PLAN VIEW  
3/4" = 1'-0"



3 I13 STOREFRONT ELEVATION  
3/4" = 1'-0"

5 I13 SECTION VIEW  
3/4" = 1'-0"



2 I12 STOREFRONT ELEVATION  
3/4" = 1'-0"

4 I12 SECTION VIEW  
3/4" = 1'-0"

BIM ARCHITECTS AND ENGINEERS  
**SIMSONA CORP.**  
 1451 Rockville Pike, Suite #250,  
 Rockville, MD 20850  
 Phone : 301-408-8553  
 Email: raj@simsona.com  
 www.simsonacadd.com

PROJECT NAME  
**IDAHO OUTDOOR FIELDHOUSE**  
 3211 E. BARBER VALLEY Dr. BOISE,  
 IDAHO 83716

Revision Schedule		
Revision Number	Revision Description	Revision Date
3	REVISED CONCERNING SUBMITTAL#03 COMMENTS	07-12-2022
8	DESIGN CALCULATION DETAILS ADDED	08-26-2022

I12, I13 INTERIOR STOREFRONT DETAILS		
PROJECT NUMBER	SIM-37	SD-206
DATE	08-26-2022	
Drawn by	AC/AG/AY/SS	SCALE- 3/4" = 1'-0"
Checked by	AP	

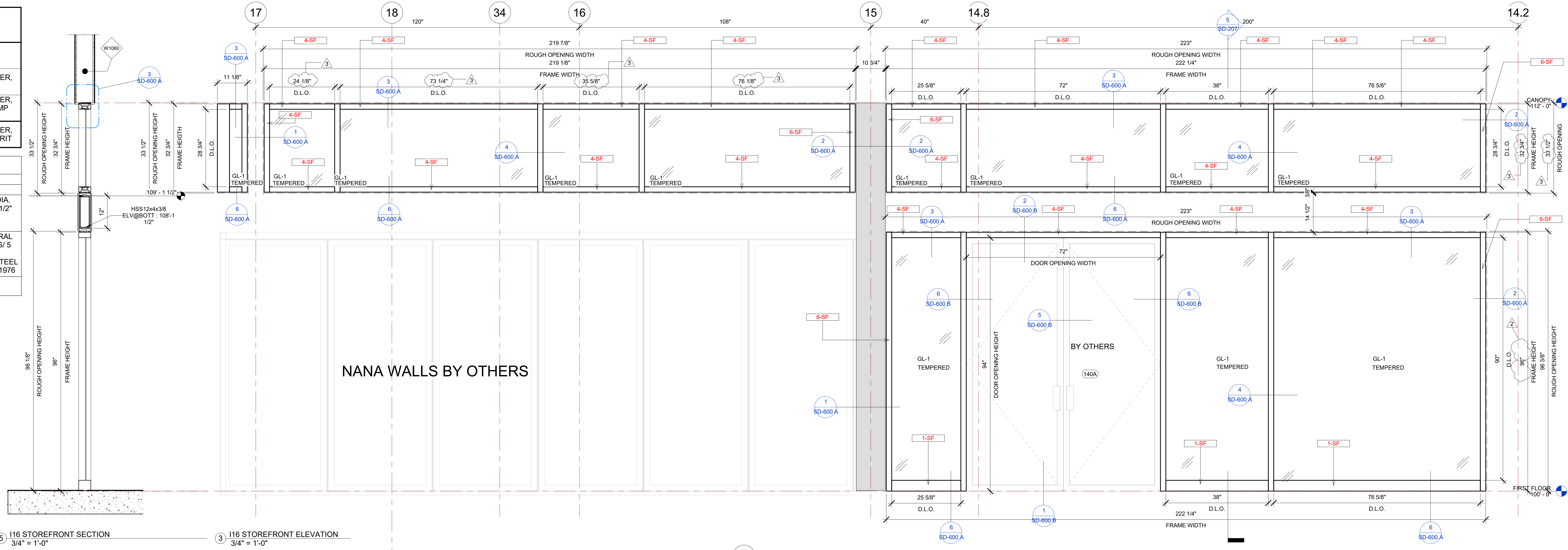
PLOT CREATED: 08-26-2022

### GLASS SPECIFICATIONS

GL-1	1/4" CLEAR (TEMPERED WHERE REQUIRED/INDICATED)
GL-2	1" OA, 1/4" CLEAR, SNX 51/23, 1/2" BLACK SPACER, 1/4" CLEAR (TEMPERED WHERE REQUIRED)
GL-3	1" OA, 1/4" CLEAR, SNX 51/23, 1/2" BLACK SPACER, 1/4" CLEAR SOLID BLACK FRIT (SX2439) #4 (TEMP WHERE REQUIRED)
GL-4	1" OA, 1/4" CLEAR, SNX 51/23, 1/2" BLACK SPACER, 9/16" .060 WHITE DIFFUSED LAMI/ ACID ETCH FRIT

### IDAHO CONNECTION DETAILS

TAG	DESCRIPTION
1-SF	ANCHORAGE INTO CONCRETE =USE (2) 3/8" DIA. SIMPSON TITEN HD SCREW ANCHOR WITH 2-1/2" NOMINAL DEPTH, INSTALLATION PER ICC-ES ESR-2713
4-SF	EDGE MULLION ANCHORAGE INTO STRUCTURAL STEEL=USE (2) ITW BUILDEX TEKS 12-24 TEKS/ 5 SCREW @EA SIDE OF MULLION WITH 3" MIN. SPACING, 1" MIN EDGE DISTANCE, 1/8" MIN. STEEL THICKNESS, INSTALLATION PER ICC-ES ESR-1976
6-SF	ANCHORAGE INTO WOOD=(2) 3/8" DIA. LAG SCREW WITH 3" PENETRATION DEPTH



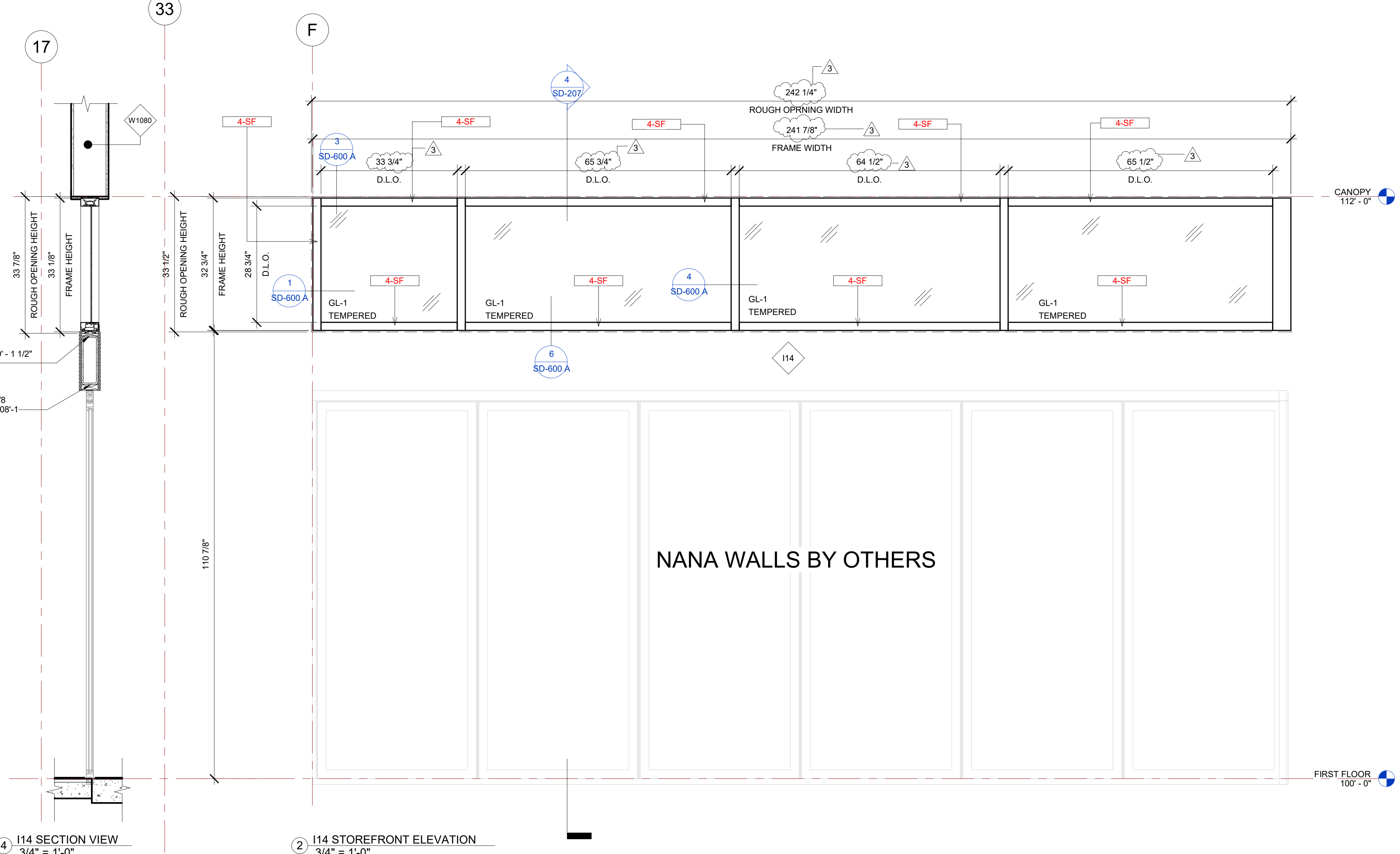
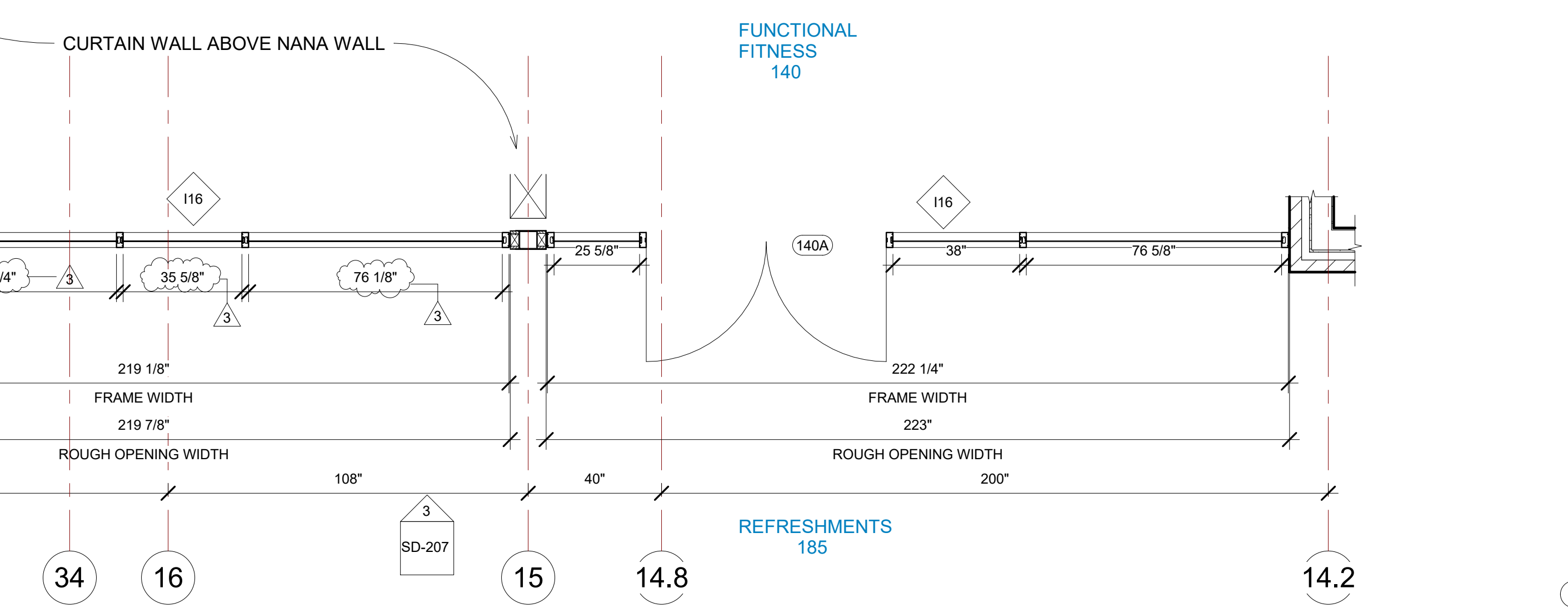
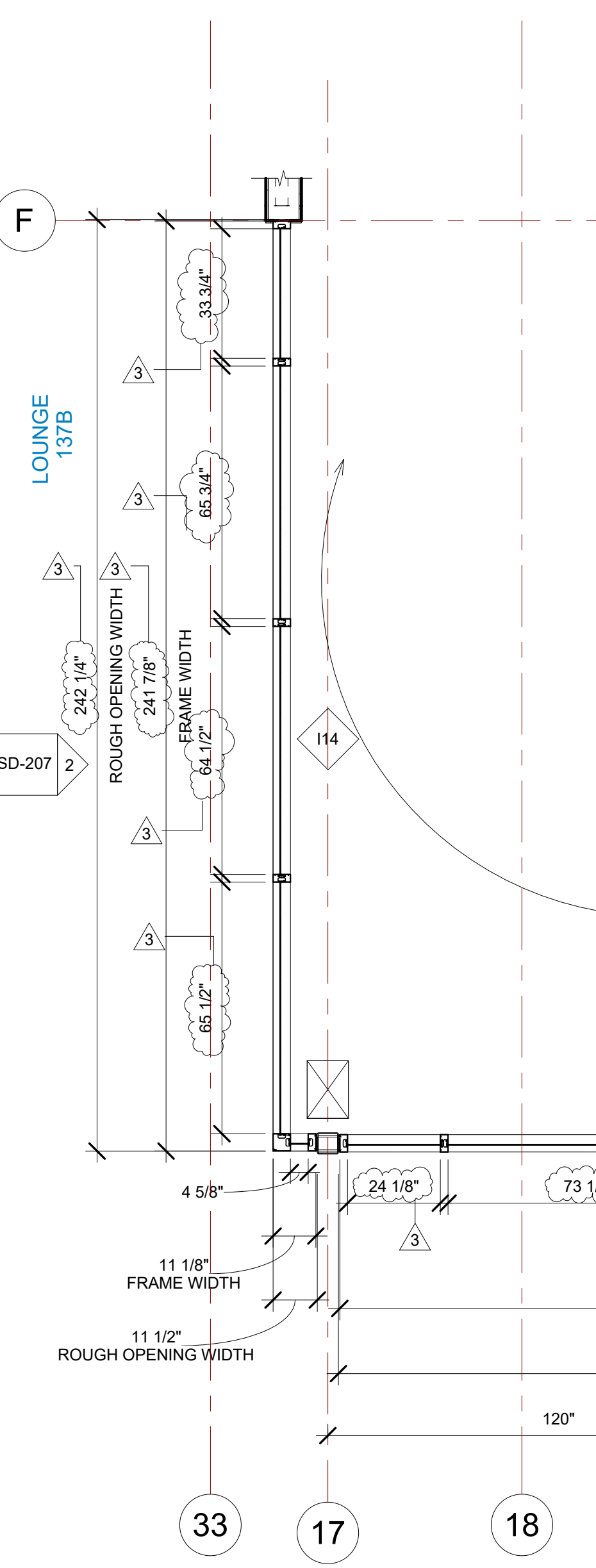
#### I16 STOREFRONT SCHEDULE

NAME	FRAME SIZE		FRAME FINISHES				FRAME SPECIFICATION		DOOR SPECIFICATIONS		
	FRAME LENGTH	FRAME HEIGHT	MFR.	SERIES	PANEL MATERIAL	FINISHES	MULLION SIZE	GLAZING TYPE	DOOR SIZE	DOOR TAG	HARDWARE GROUP
I16	18' - 6 7/32"	8' - 0"	OBE	FG-3000	ALUMINIUM	ANODIZED DARK BRONZE	2" x 4 1/2"	GL-1			
I16	18' - 3 1/8"	2' - 8 3/4"	OBE	FG-3000	ALUMINIUM	ANODIZED DARK BRONZE	2" x 4 1/2"	GL-1			
I16	18' - 6 1/4"	2' - 8 3/4"	OBE	FG-3000	ALUMINIUM	ANODIZED DARK BRONZE	2" x 4 1/2"	GL-1	6'-0"x7'-10"	140A	#15
Grand total: 3											

#### I14 STOREFRONT SCHEDULE

NAME	FRAME SIZE		FRAME FINISHES				FRAME SPECIFICATION	
	FRAME LENGTH	FRAME HEIGHT	MFR.	SERIES	PANEL MATERIAL	FINISHES	MULLION SIZE	GLAZING TYPE
I14	19' - 11 5/8"	2' - 8 3/4"	OBE	FG-3000	ALUMINIUM	ANODIZED DARK BRONZE	2" x 4 1/2"	GL-1
I14	0' - 6 5/8"	2' - 8 3/4"	OBE	FG-3000	ALUMINIUM	ANODIZED DARK BRONZE	2" x 4 1/2"	GL-1
Grand total: 2								



BIM ARCHITECTS AND ENGINEERS  
**SIMSONA CORP.**  
 1451 Rockville Pike, Suite #250,  
 Rockville, MD 20850  
 Phone : 301-408-8553  
 Email: raj@simsona.com  
 www.simsonacadd.com

PROJECT NAME  
**IDAHO OUTDOOR FIELDHOUSE**  
 3211 E. BARBER VALLEY Dr. BOISE,  
 IDAHO 83716

Revision Schedule		
Revision Number	Revision Description	Revision Date
2	REVISED CONCERNING SIMSONA SUBMITTAL #02	06-06-2022
3	REVISED CONCERNING SUBMITTAL#03 COMMENTS	07-12-2022
8	DESIGN CALCULATION DETAILS ADDED	08-26-2022

**I14, I16 INTERIOR STOREFRONT DETAILS**  
 PROJECT NUMBER SIM-37  
 DATE 08-26-2022  
 Drawn by AC/AG/AY/SS  
 Checked by AP  
**SD-207**  
 SCALE-As indicated

115 STOREFRONT SCHEDULE

NAME	FRAME SIZE		FRAME FINISHES				FRAME SPECIFICATION		DOOR SPECIFICATIONS		
	FRAME LENGTH	FRAME HEIGHT	MFR.	SERIES	PANEL MATERIAL	FINISHES	MULLION SIZE	GLAZING TYPE	DOOR SIZE	DOOR TAG	HARDWARE GROUP
I15	6' - 5 1/4"	8' - 0"	OBE	FG-3000	ALUMINIUM	ANODIZED DARK BRONZE	2" x 4 1/2"	GL-1	3'-0"x7'-10"	138B	#25
I15	6' - 5 1/4"	8' - 0"	OBE	FG-3000	ALUMINIUM	ANODIZED DARK BRONZE	2" x 4 1/2"	GL-1	3'-0"x7'-10"	138A	#25

Grand total: 2

IDAHO CONNECTION DETAILS

TAG	DESCRIPTION
1-SF	ANCHORAGE INTO CONCRETE =USE (2) 3/8" DIA. SIMPSON TITEN HD SCREW ANCHOR WITH 2-1/2" NOMINAL DEPTH, INSTALLATION PER ICC-ES ESR-2713
4-SF	EDGE MULLION ANCHORAGE INTO STRUCTURAL STEEL=USE (2) ITW BULDEX TEKS 12-24 TEKS/ 5 SCREW @EA SIDE OF MULLION WITH 3" MIN. SPACING, 1" MIN EDGE DISTANCE, 1/8" MIN. STEEL THICKNESS, INSTALLATION PER ICC-ES ESR-1976

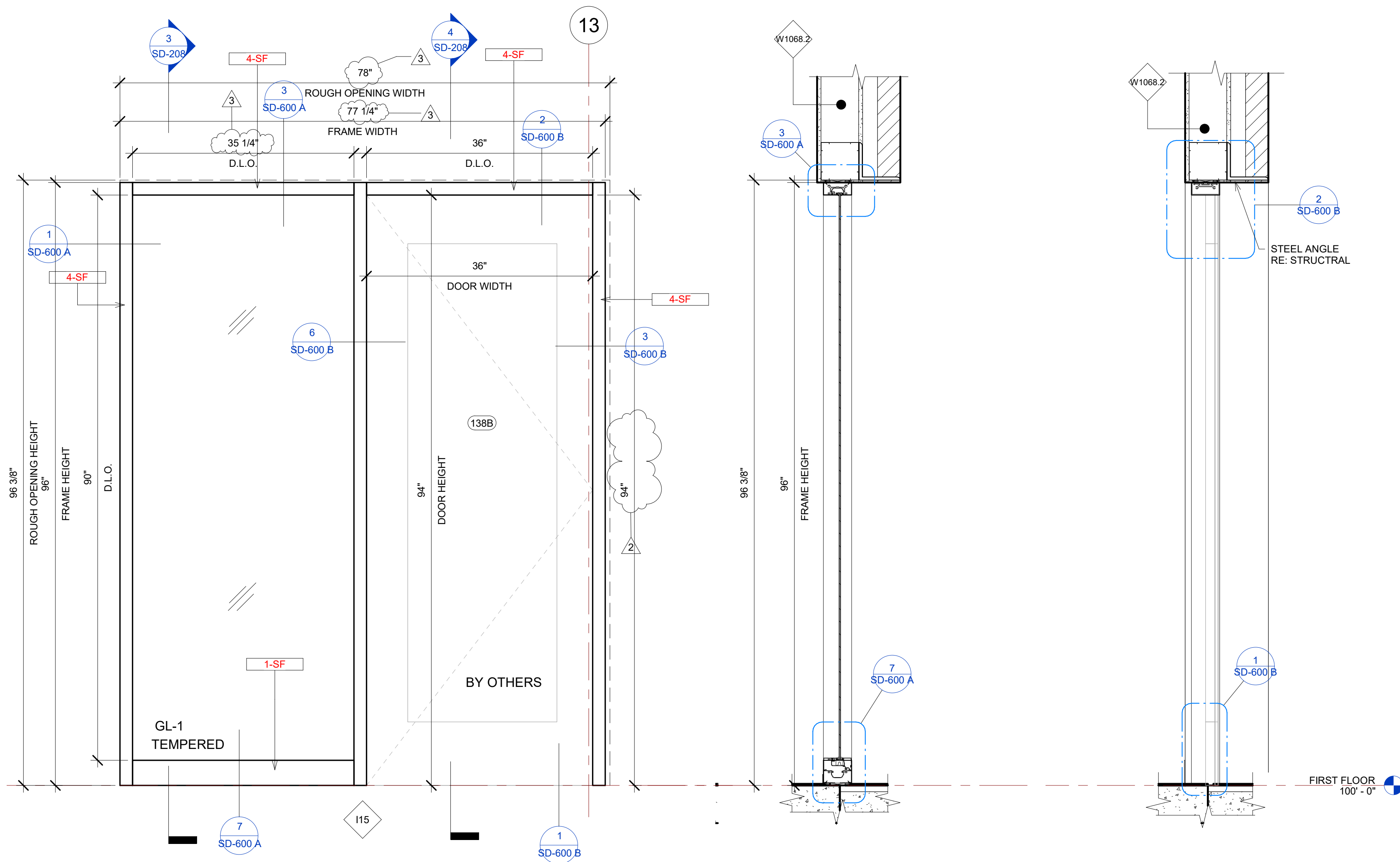
I18 STOREFRONT SCHEDULE

NAME	FRAME SIZE		FRAME FINISHES				FRAME SPECIFICATION	
	FRAME LENGTH	FRAME HEIGHT	MFR.	SERIES	PANEL MATERIAL	FINISHES	MULLION SIZE	GLAZING TYPE
I18	9' - 3"	11' - 11 5/8"	OBE	FG-3000	ALUMINIUM	ANODIZED DARK BRONZE	2" x 4 1/2"	GL-1

Grand total: 1

GLASS SPECIFICATIONS

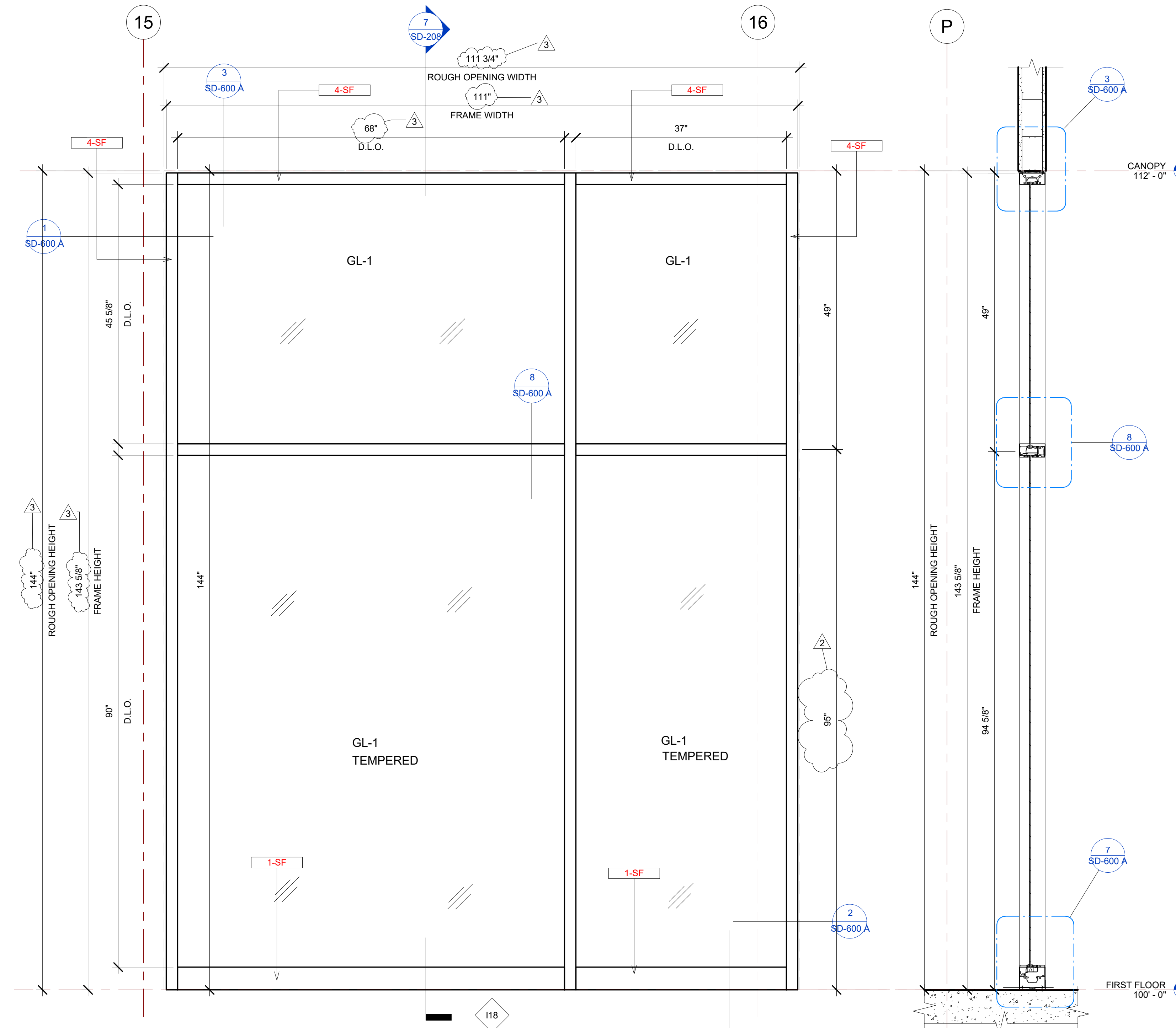
GL-1	1/4" CLEAR (TEMPERED WHERE REQUIRED/INDICATED)
GL-2	1" OA, 1/4" CLEAR, SNX 51/23, 1/2" BLACK SPACER, 1/4" CLEAR (TEMPERED WHERE REQUIRED)
GL-3	1" OA, 1/4" CLEAR, SNX 51/23, 1/2" BLACK SPACER, 1/4" CLEAR SOLID BLACK FRIT (SX2439) #4 (TEMP WHERE REQUIRED)
GL-4	1" OA, 1/4" CLEAR, SNX 51/23, 1/2" BLACK SPACER, 9/16" .060 WHITE DIFFUSED LAMI/ ACID ETCH FRIT



2 I15 STOREFRONT ELEVATION VIEW  
1" = 1'-0"

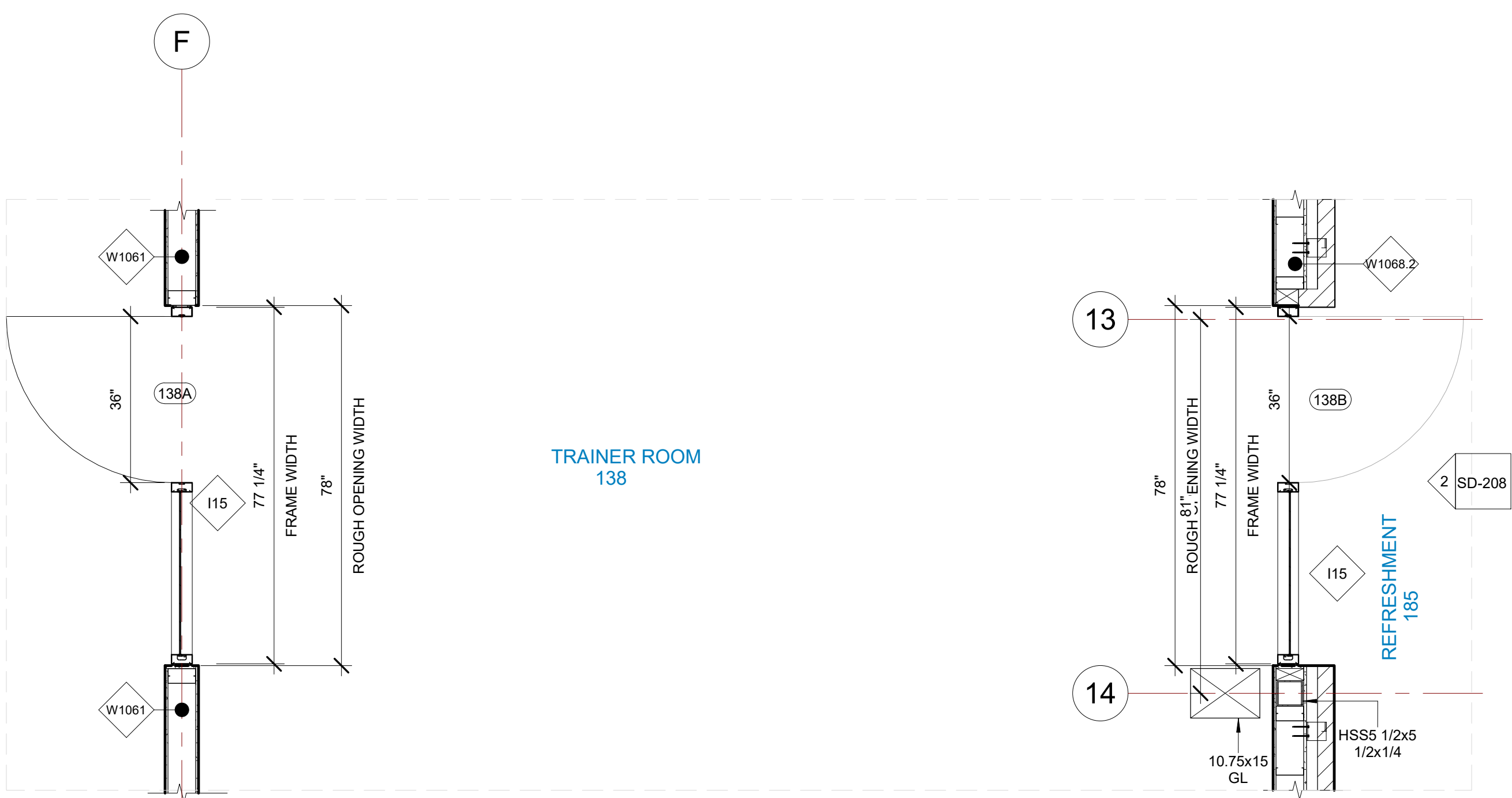
3 I15 STOREFRONT SECTION VIEW A  
1" = 1'-0"

4 I15 STOREFRONT SECTION VIEW B  
1" = 1'-0"

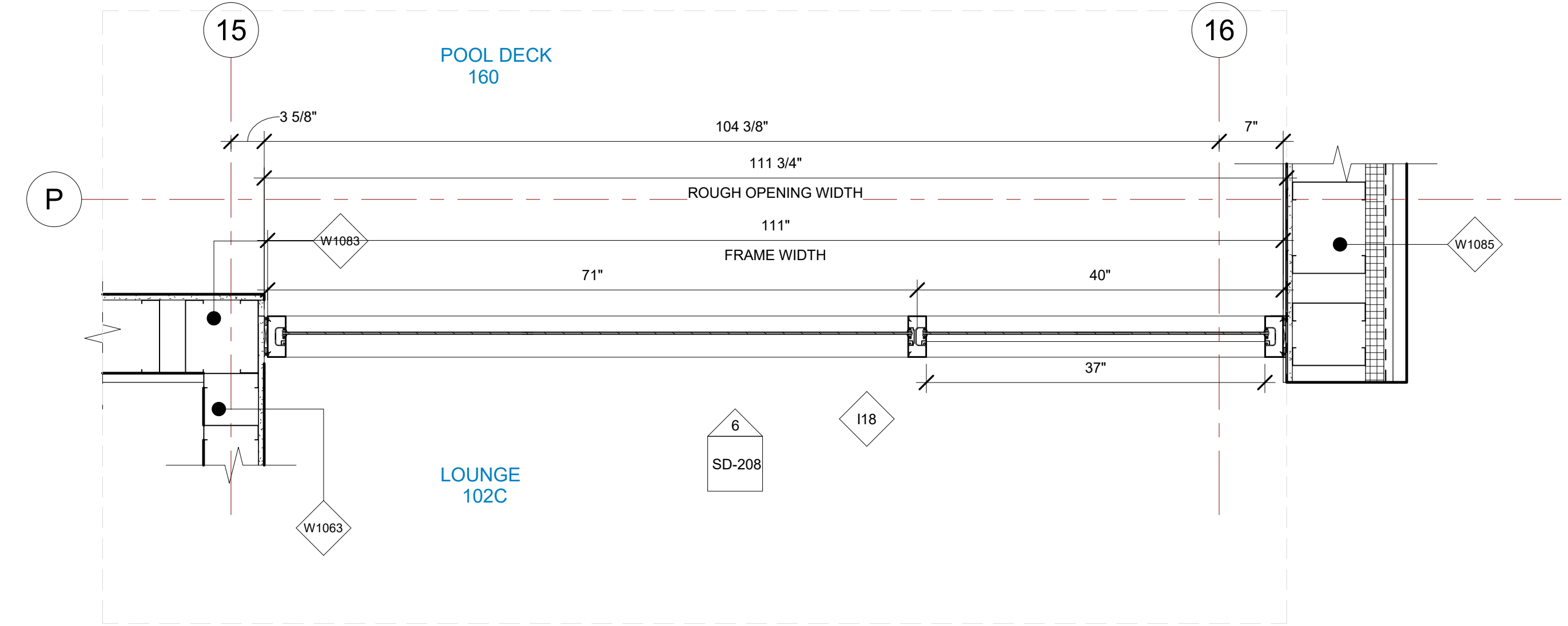


6 I18 STOREFRONT ELEVATION VIEW  
1" = 1'-0"

7 I18 STOREFRONT SECTION VIEW  
1" = 1'-0"



1 I15 STOREFRONT PLAN VIEW  
1/2" = 1'-0"



5 I18 STOREFRONT PLAN VIEW  
1" = 1'-0"

BIM ARCHITECTS AND ENGINEERS  
**SIMSONA CORP.**  
1451 Rockville Pike, Suite #250,  
Rockville, MD 20850  
Phone : 301-408-8553  
Email: raj@simsona.com  
www.simsonacadd.com

PROJECT NAME  
**IDAHO OUTDOOR FIELDHOUSE**  
3211 E. BARBER VALLEY Dr. BOISE,  
IDAHO 83716

Revision Schedule		
Revision Number	Revision Description	Revision Date
2	REVISED CONCERNING SIMSONA SUBMITTAL #02	06-06-2022
3	REVISED CONCERNING SUBMITTAL#03 COMMENTS	07-12-2022
4	REVISED CONCERNING SUBMITTAL#05 COMMENTS	07-27-2022
8	DESIGN CALCULATION DETAILS ADDED	08-26-2022

**I15, I18 INTERIOR STOREFRONT DETAILS**  
PROJECT NUMBER SIM-37  
DATE 08-26-2022  
Drawn by AC/AG/AY/SS  
Checked by AP  
SD-208  
SCALE-As indicated



I19 STOREFRONT SCHEDULE

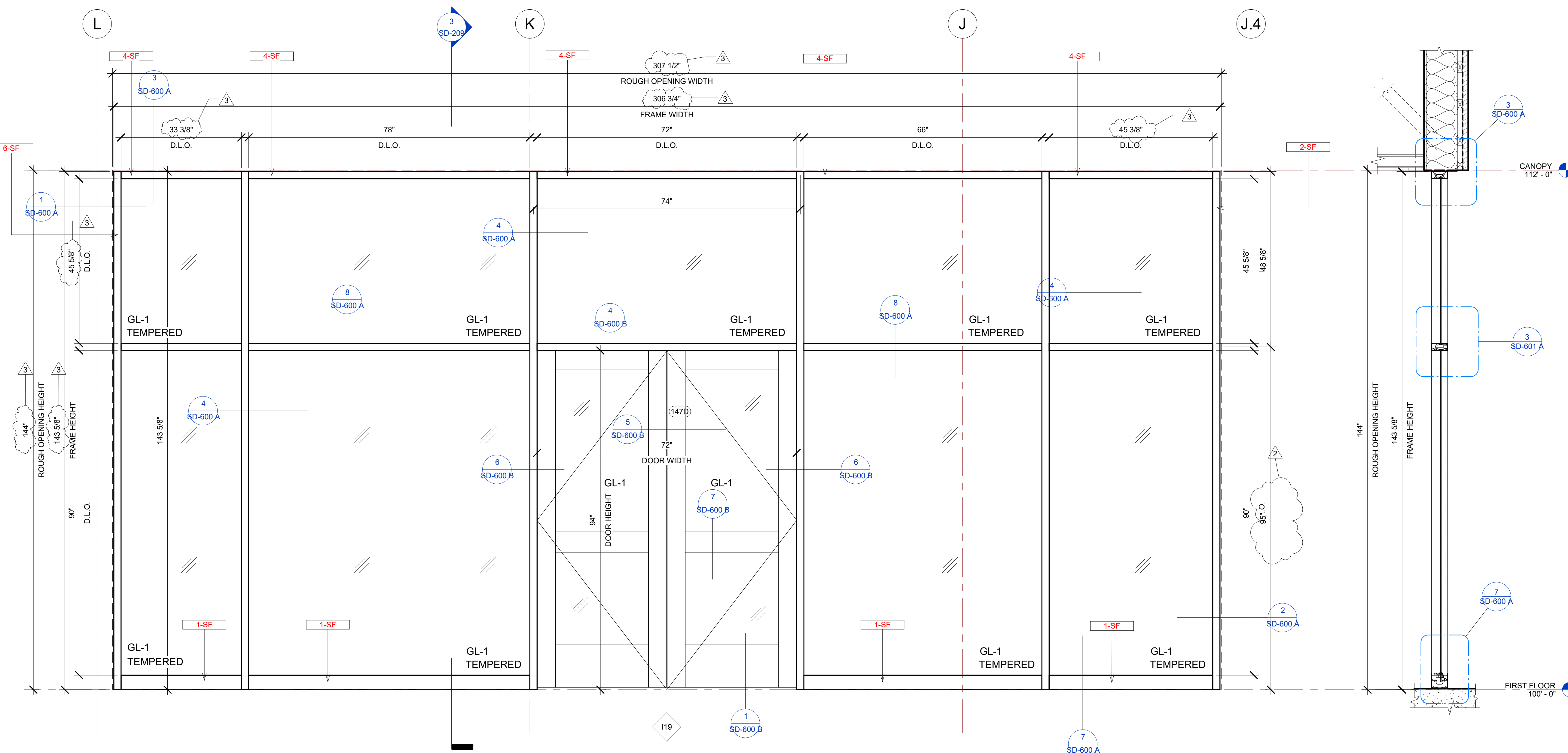
NAME	FRAME SIZE		FRAME FINISHES			FRAME SPECIFICATION		DOOR SPECIFICATIONS			
	FRAME LENGTH	FRAME HEIGHT	MFR.	SERIES	PANEL MATERIAL	FINISHES	MULLION SIZE	GLAZING TYPE	DOOR SIZE	DOOR TAG	HARDWARE GROUP
I19	25' - 6 3/4"	11' - 11 5/8"	OBE	FG-3000	ALUMINIUM	ANODIZED DARK BRONZE	2" x 4 1/2"	GL-1	3'-0"x7'-10"	147D	#10
Grand total: 1											

IDAHO CONNECTION DETAILS

TAG	DESCRIPTION
1-SF	ANCHORAGE INTO CONCRETE =USE (2) 3/8" DIA. SIMPSON TITEN HD SCREW ANCHOR WITH 2-1/2" NOMINAL DEPTH, INSTALLATION PER ICC-ES ESR-2713
2-SF	ANCHORAGE INTO CMU=USE (2) 3/8" DIA. SIMPSON TITEN HD SCREW ANCHOR WITH 2-1/2" NOMINAL DEPTH, INSTALLATION PER ICC-ES ESR-1056
4-SF	EDGE MULLION ANCHORAGE INTO STRUCTURAL STEEL=USE (2) ITW BUILDEX TEKS 12-24 TEKS/ 5 SCREW @EA SIDE OF MULLION WITH 3" MIN. SPACING, 1" MIN EDGE DISTANCE, 1/8" MIN. STEEL THICKNESS, INSTALLATION PER ICC-ES ESR-1976
6-SF	ANCHORAGE INTO WOOD=(2) 3/8" DIA. LAG SCREW WITH 3" PENETRATION DEPTH

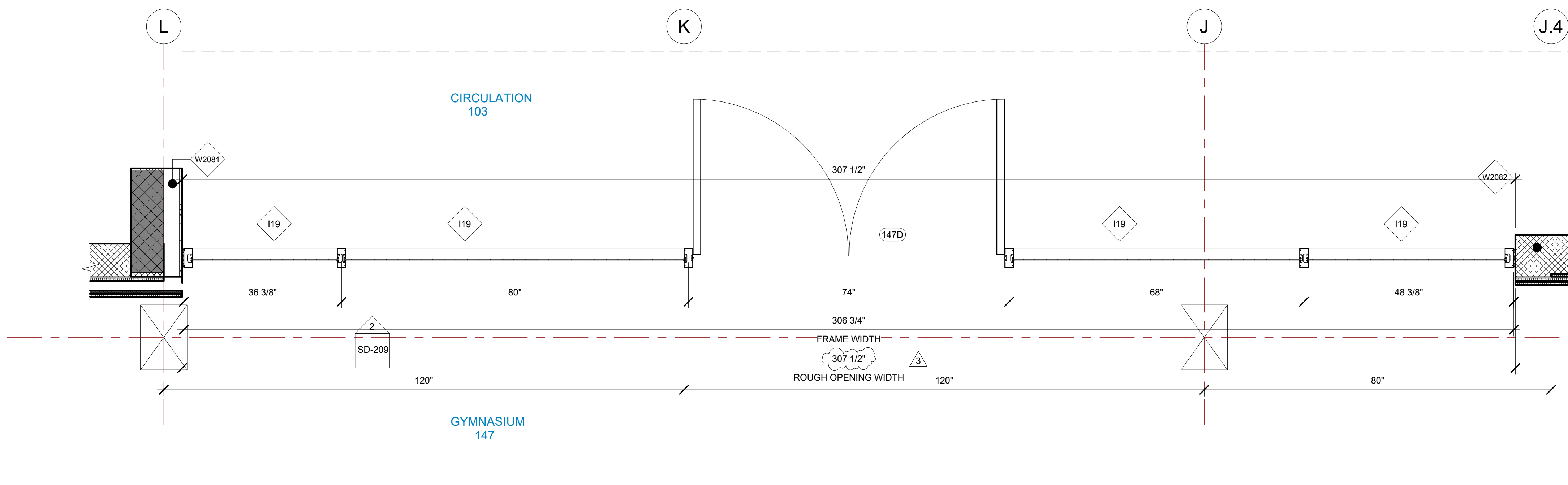
GLASS SPECIFICATIONS

GL-1	1/4" CLEAR (TEMPERED WHERE REQUIRED/INDICATED)
GL-2	1" OA, 1/4" CLEAR, SNX 51/23, 1/2" BLACK SPACER, 1/4" CLEAR (TEMPERED WHERE REQUIRED)
GL-3	1" OA, 1/4" CLEAR, SNX 51/23, 1/2" BLACK SPACER, 1/4" CLEAR SOLID BLACK FRIT (SX2439) #4 (TEMP WHERE REQUIRED)
GL-4	1" OA, 1/4" CLEAR, SNX 51/23, 1/2" BLACK SPACER, 9/16" .060 WHITE DIFFUSED LAM/ ACID ETCH FRIT



2 I19 STOREFRONT ELEVATION VIEW  
3/4" = 1'-0"

3 I19 STOREFRONT SECTION VIEW  
3/4" = 1'-0"



1 I19 STOREFRONT PLAN VIEW  
3/4" = 1'-0"

BIM ARCHITECTS AND ENGINEERS  
**SIMSONA CORP.**  
 1451 Rockville Pike, Suite #250,  
 Rockville, MD 20850  
 Phone : 301-408-8553  
 Email: raj@simsona.com  
 www.simsonacadd.com

PROJECT NAME  
**IDAHO OUTDOOR FIELDHOUSE**  
 3211 E. BARBER VALLEY Dr. BOISE,  
 IDAHO 83716

Revision Schedule		
Revision Number	Revision Description	Revision Date
2	REVISED CONCERNING SIMSONA SUBMITTAL #02	06-06-2022
3	REVISED CONCERNING SUBMITTAL#03 COMMENTS	07-12-2022
8	DESIGN CALCULATION DETAILS ADDED	08-26-2022

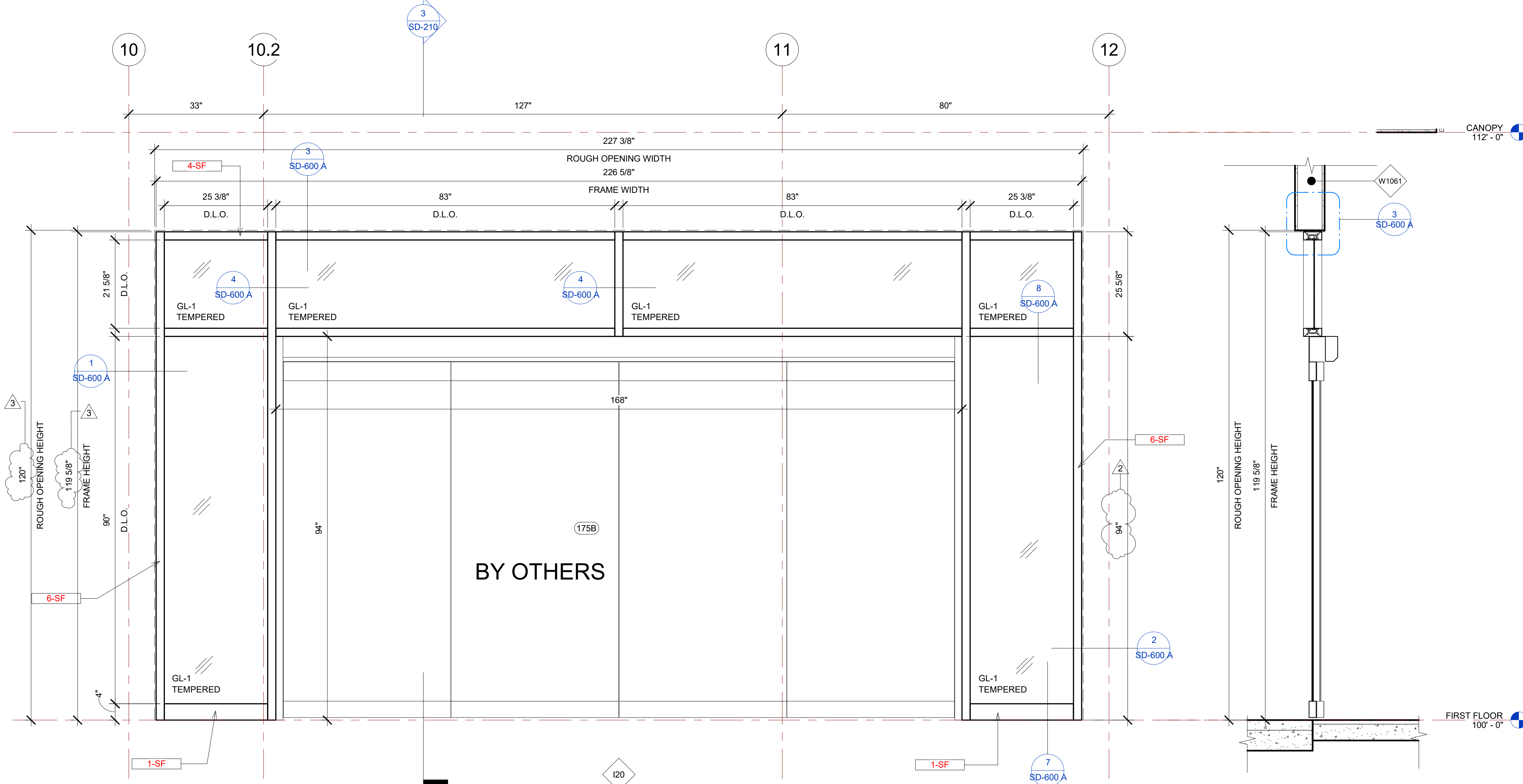
**I19 INTERIOR STOREFRONT DETAILS**  
 PROJECT NUMBER SIM-37  
 DATE 08-26-2022  
 Drawn by AC/AG/AY/SS  
 Checked by AP

**SD-209**  
 SCALE- 3/4" = 1'-0"

I20 STOREFRONT SCHEDULE							
NAME	FRAME SIZE		FRAME FINISHES			FRAME SPECIFICATION	
	FRAME LENGTH	FRAME HEIGHT	MFR.	SERIES	PANEL MATERIAL	FINISHES	MULLION SIZE GLAZING TYPE
I20	18' - 10 5/8"	9' - 11 5/8"	OBE	FG-3000	ALUMINIUM	ANODIZED DARK BRONZE	2" x 4 1/2" GL-1
Grand total: 1							

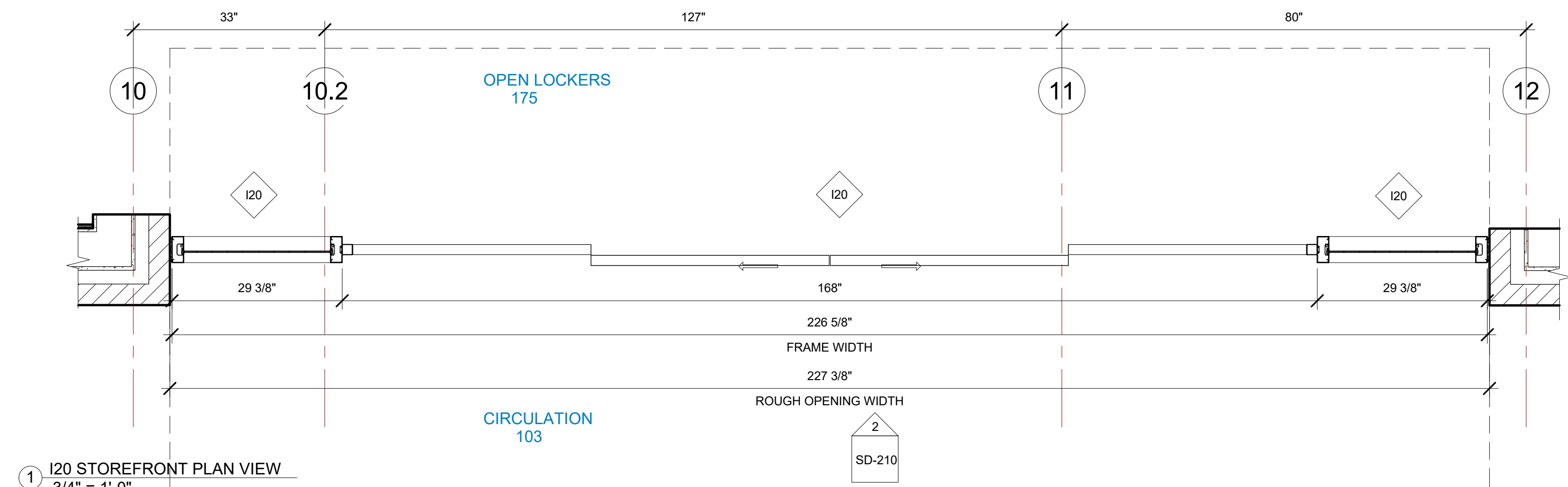
IDAHO CONNECTION DETAILS	
TAG	DESCRIPTION
1-SF	ANCHORAGE INTO CONCRETE =USE (2) 3/8" DIA. SIMPSON TITEN HD SCREW ANCHOR WITH 2-1/2" NOMINAL DEPTH, INSTALLATION PER ICC-ES ESR-2713
4-SF	EDGE MULLION ANCHORAGE INTO STRUCTURAL STEEL=USE (2) ITW BUILDEX TEKS 12-24 TEKS/ 5 SCREW @EA SIDE OF MULLION WITH 3" MIN. SPACING, 1" MIN EDGE DISTANCE, 1/8" MIN. STEEL THICKNESS, INSTALLATION PER ICC-ES ESR-1976
6-SF	ANCHORAGE INTO WOOD=(2) 3/8" DIA. LAG SCREW WITH 3" PENETRATION DEPTH

GLASS SPECIFICATIONS	
GL-1	1/4" CLEAR (TEMPERED WHERE REQUIRED/INDICATED)
GL-2	1" OA, 1/4" CLEAR, SNX 51/23, 1/2" BLACK SPACER, 1/4" CLEAR (TEMPERED WHERE REQUIRED)
GL-3	1" OA, 1/4" CLEAR, SNX 51/23, 1/2" BLACK SPACER, 1/4" CLEAR SOLID BLACK FRIT (SX2439) #4 (TEMP WHERE REQUIRED)
GL-4	1" OA, 1/4" CLEAR, SNX 51/23, 1/2" BLACK SPACER, 9/16" .060 WHITE DIFFUSED LAMI/ ACID ETCH FRIT



2 I20 STOREFRONT ELEVATION  
3/4" = 1'-0"

3 I20 STOREFRONT SECTION VIEW  
3/4" = 1'-0"



1 I20 STOREFRONT PLAN VIEW  
3/4" = 1'-0"

BIM ARCHITECTS AND ENGINEERS  
**SIMSONA CORP.**  
 1451 Rockville Pike, Suite #250,  
 Rockville, MD 20850  
 Phone : 301-408-8553  
 Email: raj@simsona.com  
 www.simsonacadd.com

PROJECT NAME  
**IDAHO OUTDOOR FIELDHOUSE**  
 3211 E. BARBER VALLEY Dr. BOISE,  
 IDAHO 83716

Revision Schedule		
Revision Number	Revision Description	Revision Date
2	REVISED CONCERNING SIMSONA SUBMITTAL #02	06-06-2022
3	REVISED CONCERNING SUBMITTAL#03 COMMENTS	07-12-2022
8	DESIGN CALCULATION DETAILS ADDED	08-26-2022

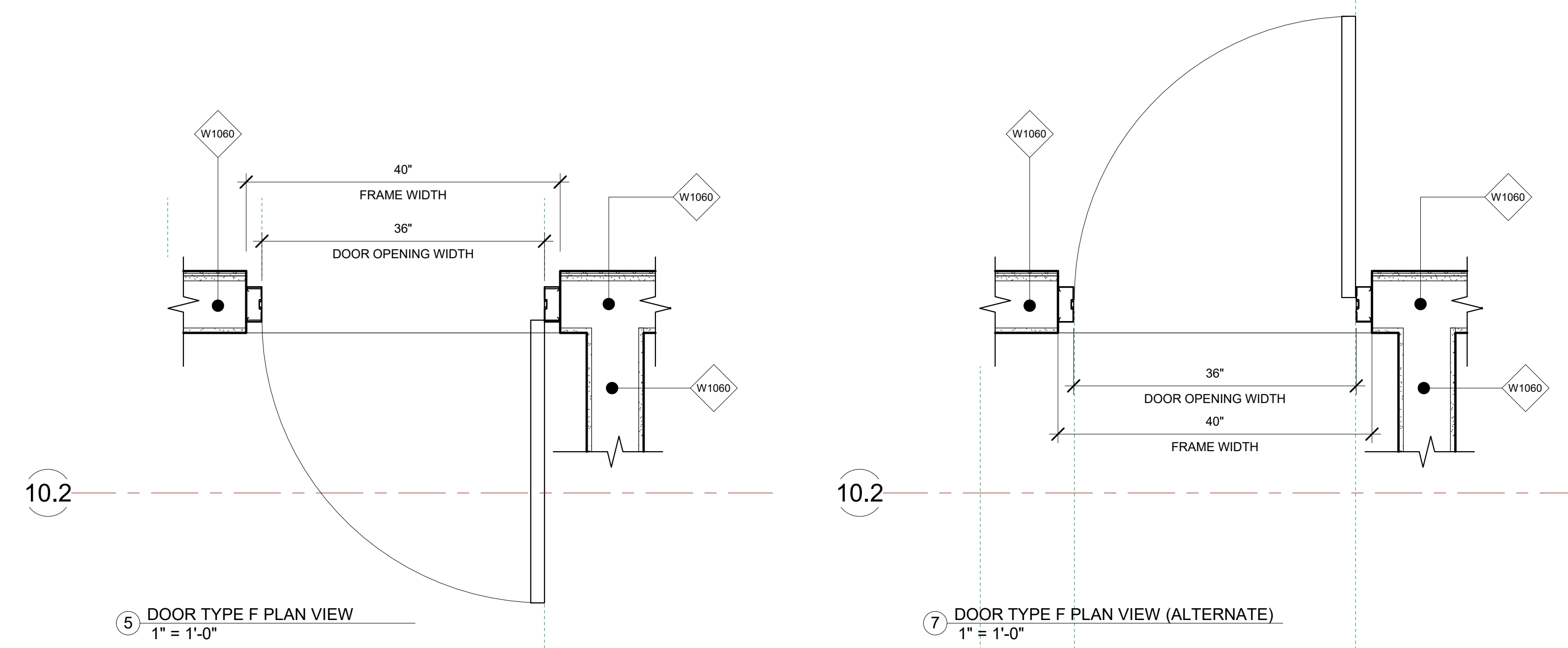
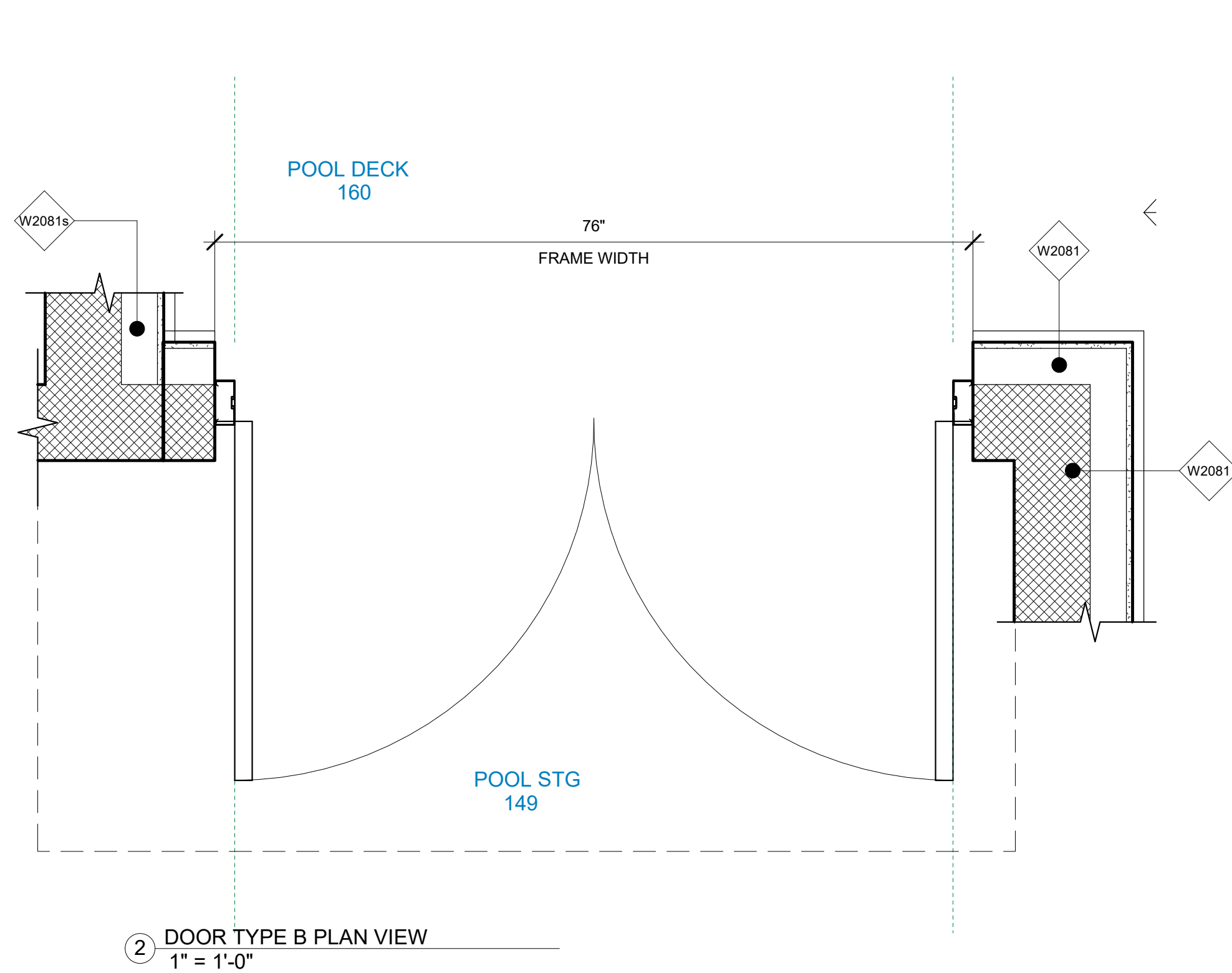
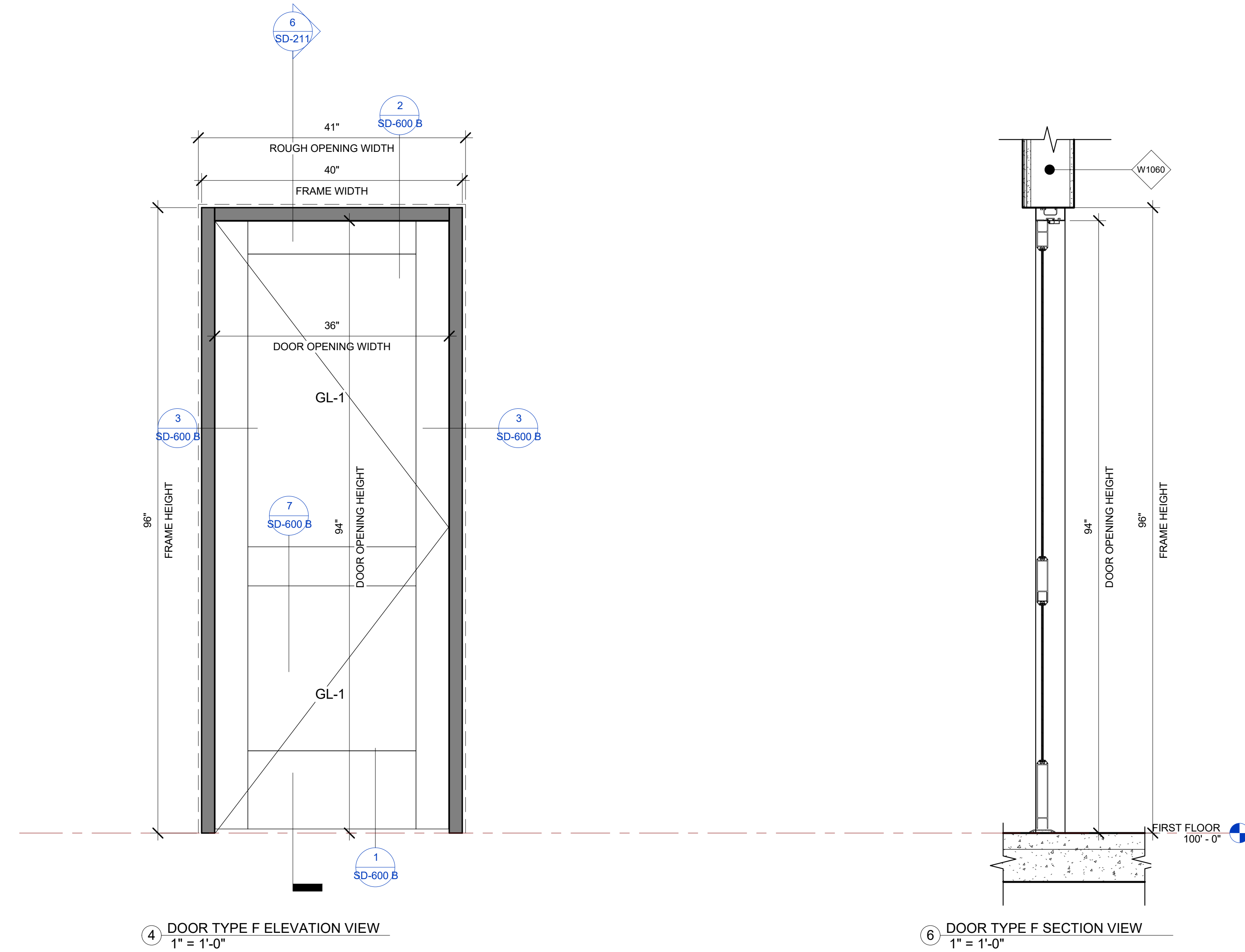
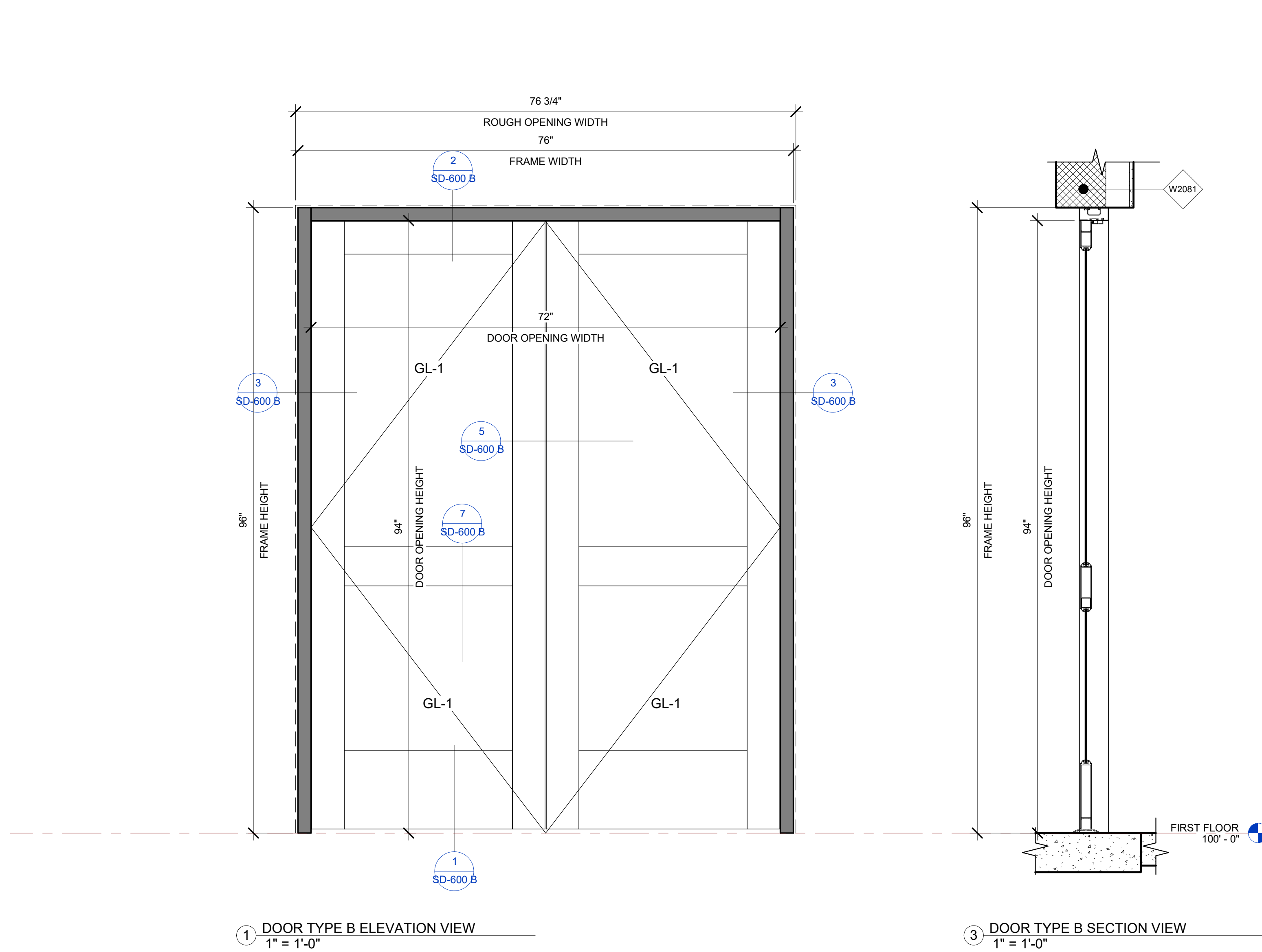
**I20 STOREFRONT DETAILS**

PROJECT NUMBER	SIM-37	<b>SD-210</b>
DATE	08-26-2022	
Drawn by	AC/AG/AY/SS	SCALE- 3/4" = 1'-0"
Checked by	AP	

DOOR FRAME B SCHEDULE										
NAME	FRAME SIZE		FRAME FINISHES				FRAME SPECIFICATION		DOOR SIZE	DOOR TAG
	FRAME LENGTH	FRAME HEIGHT	MFR.	SERIES	PANEL MATERIAL	FINISHES	MULLION SIZE	GLAZING TYPE		
B	6' - 4"	8' - 0"	OBE	FG-3000	ALUMINIUM	ANODIZED DARK BRONZE	2" x 4 1/2"	NONE	6'-0"x7'-10"	149
B	6' - 4"	8' - 0"	OBE	FG-3000	ALUMINIUM	ANODIZED DARK BRONZE	2" x 4 1/2"	NONE	6'-0"x7'-10"	159A
Grand total: 2										

DOOR FRAME F SCHEDULE										
NAME	FRAME SIZE		FRAME FINISHES				FRAME SPECIFICATION		DOOR SIZE	DOOR TAG
	FRAME LENGTH	FRAME HEIGHT	MFR.	SERIES	PANEL MATERIAL	FINISHES	MULLION SIZE	GLAZING TYPE		
F	3' - 4"	8' - 0"	OBE	FG-3000	ALUMINIUM	ANODIZED DARK BRONZE	2" x 4 1/2"	NONE	3'-0"x7'-10"	179
F	3' - 4"	8' - 0"	OBE	FG-3000	ALUMINIUM	ANODIZED DARK BRONZE	2" x 4 1/2"	NONE	3'-0"x7'-10"	177
F	3' - 4"	8' - 0"	OBE	FG-3000	ALUMINIUM	ANODIZED DARK BRONZE	2" x 4 1/2"	NONE	3'-0"x7'-10"	180
F	3' - 4"	8' - 0"	OBE	FG-3000	ALUMINIUM	ANODIZED DARK BRONZE	2" x 4 1/2"	NONE	3'-0"x7'-10"	181
F	3' - 4"	8' - 0"	OBE	FG-3000	ALUMINIUM	ANODIZED DARK BRONZE	2" x 4 1/2"	NONE	3'-0"x7'-10"	178
F	3' - 4"	8' - 0"	OBE	FG-3000	ALUMINIUM	ANODIZED DARK BRONZE	2" x 4 1/2"	NONE	3'-0"x7'-10"	182
Grand total: 6										

GLASS SPECIFICATIONS	
GL-1	1/4" CLEAR (TEMPERED WHERE REQUIRED/INDICATED)
GL-2	1" OA, 1/4" CLEAR, SNX 51/23, 1/2" BLACK SPACER, 1/4" CLEAR (TEMPERED WHERE REQUIRED)
GL-3	1" OA, 1/4" CLEAR, SNX 51/23, 1/2" BLACK SPACER, 1/4" CLEAR SOLID BLACK FRIT (SX2439) #4 (TEMP WHERE REQUIRED)
GL-4	1" OA, 1/4" CLEAR, SNX 51/23, 1/2" BLACK SPACER, 9/16" .060 WHITE DIFFUSED LAMI/ ACID ETCH FRIT



BIM ARCHITECTS AND ENGINEERS  
**SIMSONA CORP.**  
 1451 Rockville Pike, Suite #250,  
 Rockville, MD 20850  
 Phone : 301-408-8553  
 Email: raj@simsona.com  
 www.simsonacadd.com

PROJECT NAME  
**IDAHO OUTDOOR FIELDHOUSE**  
 3211 E. BARBER VALLEY Dr. BOISE,  
 IDAHO 83716

Revision Schedule		
Revision Number	Revision Description	Revision Date
3	REVISED CONCERNING SUBMITTAL#03 COMMENTS	07-12-2022

**INTERIOR TYPE B AND F DOOR**

PROJECT NUMBER SIM-37

DATE 08-26-2022

Drawn by AC/AG/AY/SS

Checked by AP

**SD-211**

SCALE-As indicated

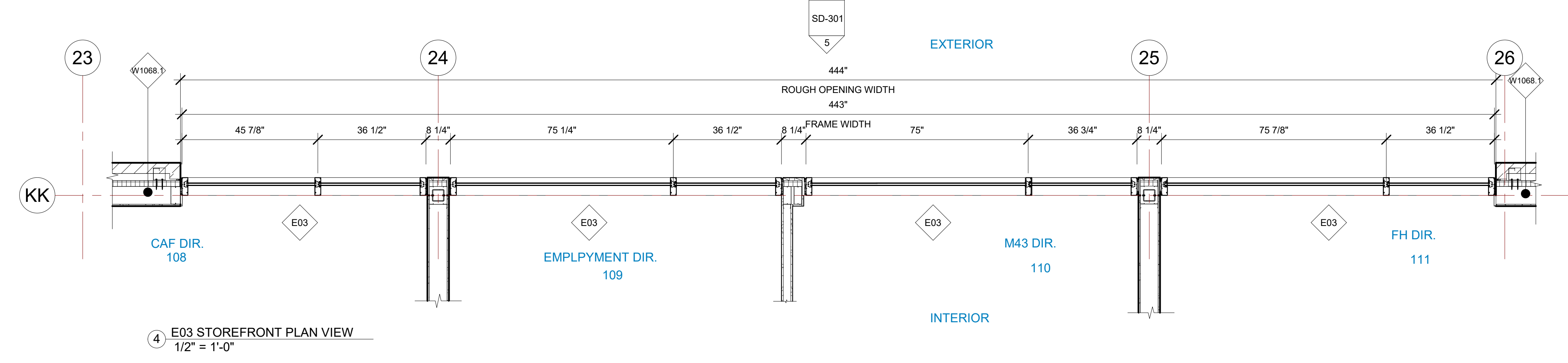
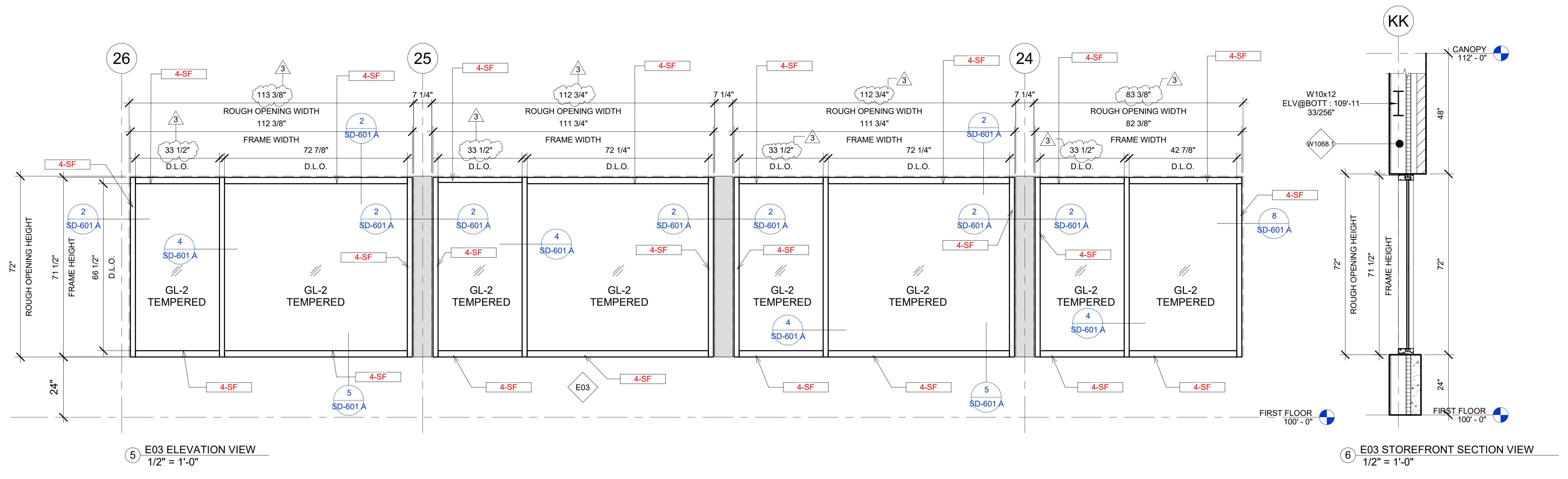
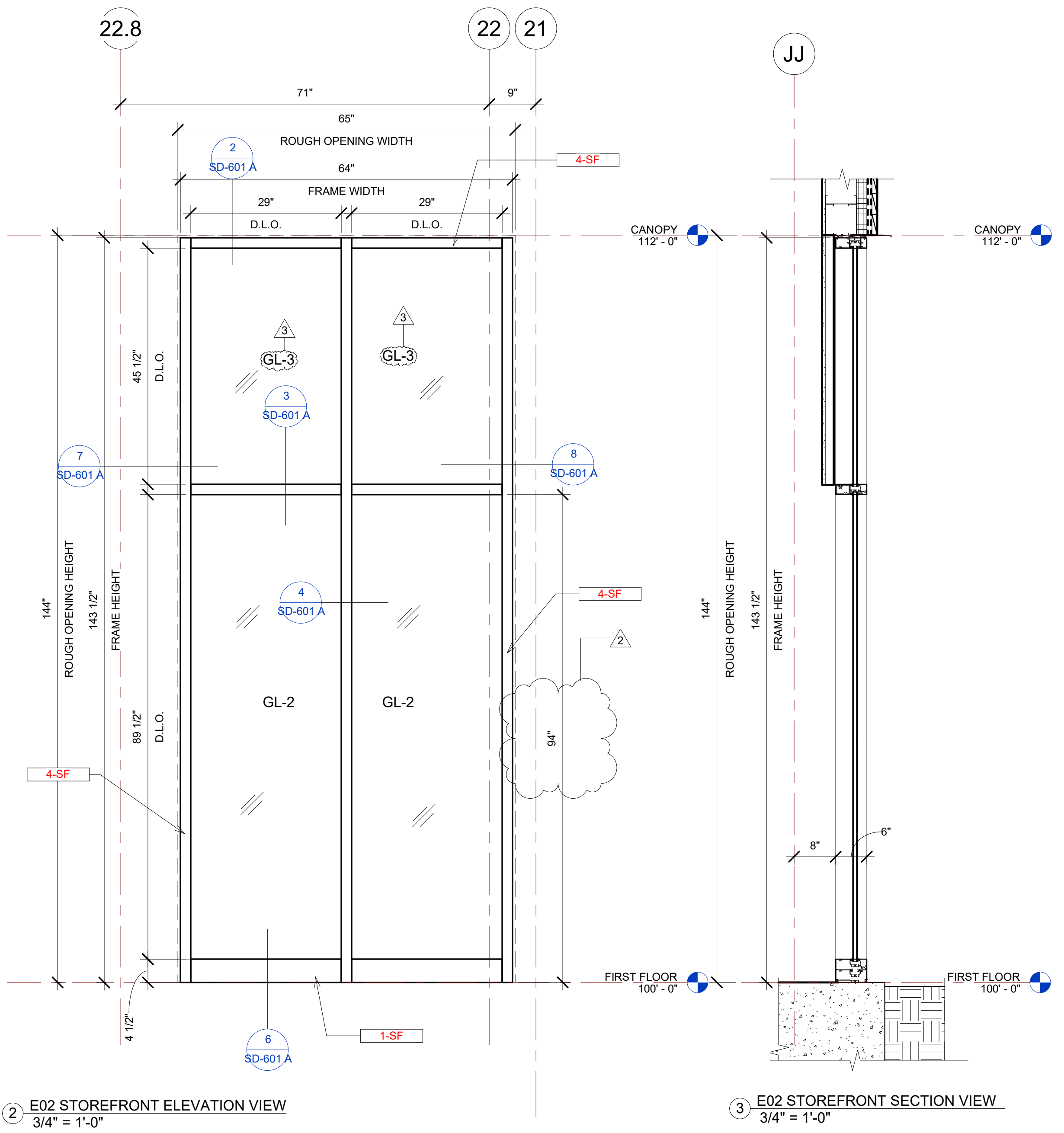
E02 STOREFRONT SCHEDULE								
NAME	FRAME SIZE		FRAME FINISHES				FRAME SPECIFICATION	
	FRAME LENGTH	FRAME HEIGHT	MFR.	SERIES	PANEL MATERIAL	FINISHES	MULLION SIZE	GLAZING TYPE
E02	5' - 4"	11' - 11 1/2"	OBE	6000 XT	ALUMINIUM	ANODIZED DARK BRONZE	2" x 6"	GL-2
Grand total: 1								

IDAHO CONNECTION DETAILS	
TAG	DESCRIPTION
1-SF	ANCHORAGE INTO CONCRETE =USE (2) 3/8" DIA. SIMPSON TITEN HD SCREW ANCHOR WITH 2-1/2" NOMINAL DEPTH, INSTALLATION PER ICC-ES ESR-2713
4-SF	EDGE MULLION ANCHORAGE INTO STRUCTURAL STEEL=USE (2) ITW BUILDEX TEKS 12-24 TEKS/ 5 SCREW @EA SIDE OF MULLION WITH 3" MIN. SPACING, 1" MIN EDGE DISTANCE, 1/8" MIN. STEEL THICKNESS, INSTALLATION PER ICC-ES ESR-1976

E03 STOREFRONT SCHEDULE								
NAME	FRAME SIZE		FRAME FINISHES				FRAME SPECIFICATION	
	FRAME LENGTH	FRAME HEIGHT	MFR.	SERIES	PANEL MATERIAL	FINISHES	MULLION SIZE	GLAZING TYPE
E03	6' - 10 3/8"	5' - 11 1/2"	OBE	6000 XT	ALUMINIUM	ANODIZED DARK BRONZE	2" x 6"	GL-2
E03	9' - 3 3/4"	5' - 11 1/2"	OBE	6000 XT	ALUMINIUM	ANODIZED DARK BRONZE	2" x 6"	GL-2
E03	9' - 3 3/4"	5' - 11 1/2"	OBE	6000 XT	ALUMINIUM	ANODIZED DARK BRONZE	2" x 6"	GL-2
E03	9' - 4 3/8"	5' - 11 1/2"	OBE	6000 XT	ALUMINIUM	ANODIZED DARK BRONZE	2" x 6"	GL-2
Grand total: 4								

GLASS SPECIFICATIONS	
GL-1	1/4" CLEAR (TEMPERED WHERE REQUIRED/INDICATED)
GL-2	1" OA, 1/4" CLEAR, SNX 51/23, 1/2" BLACK SPACER, 1/4" CLEAR (TEMPERED WHERE REQUIRED)
GL-3	1" OA, 1/4" CLEAR, SNX 51/23, 1/2" BLACK SPACER, 1/4" CLEAR SOLID BLACK FRIT (SX2439) #4 (TEMP WHERE REQUIRED)
GL-4	1" OA, 1/4" CLEAR, SNX 51/23, 1/2" BLACK SPACER, 9/16" .060 WHITE DIFFUSED LAMI/ ACID ETCH FRIT



BIM ARCHITECTS AND ENGINEERS  
**SIMSONA CORP.**  
 1451 Rockville Pike, Suite #250,  
 Rockville, MD 20850  
 Phone : 301-408-8553  
 Email: raj@simsona.com  
 www.simsonacadd.com

PROJECT NAME  
**IDAHO OUTDOOR FIELDHOUSE**  
 3211 E. BARBER VALLEY Dr. BOISE,  
 IDAHO 83716

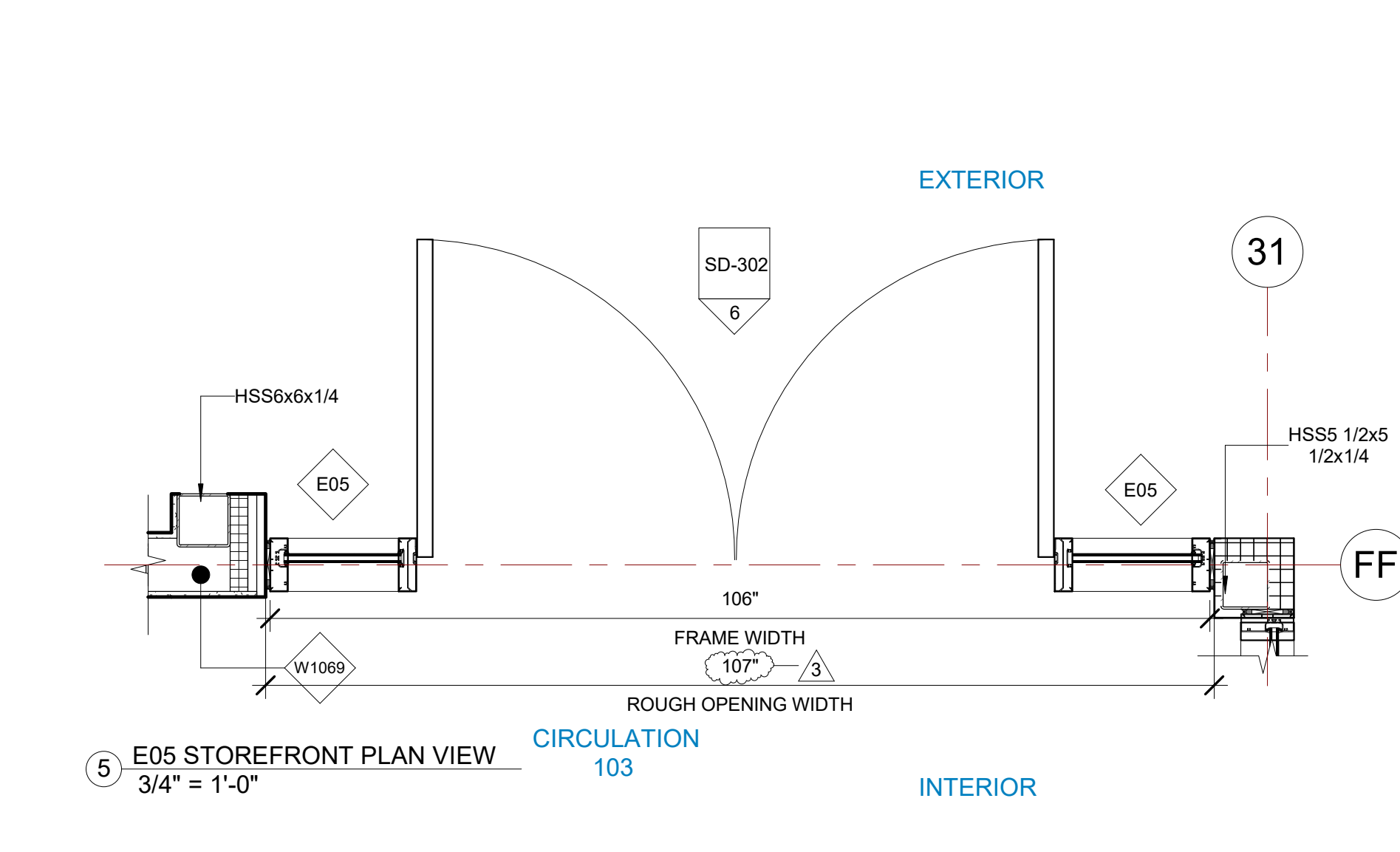
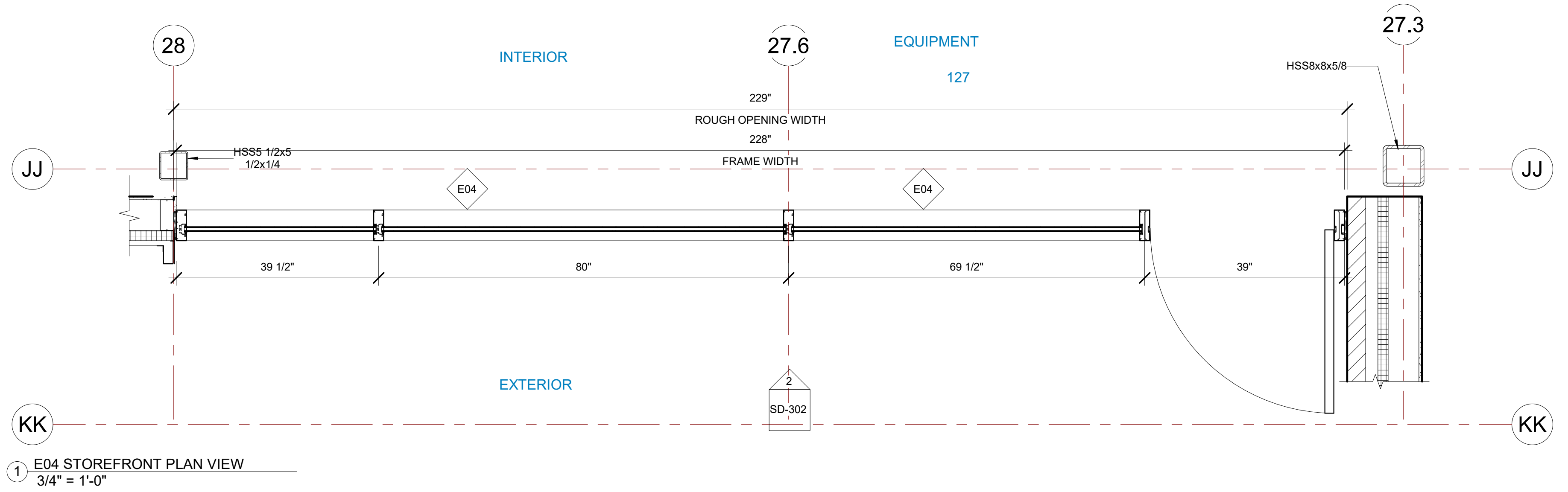
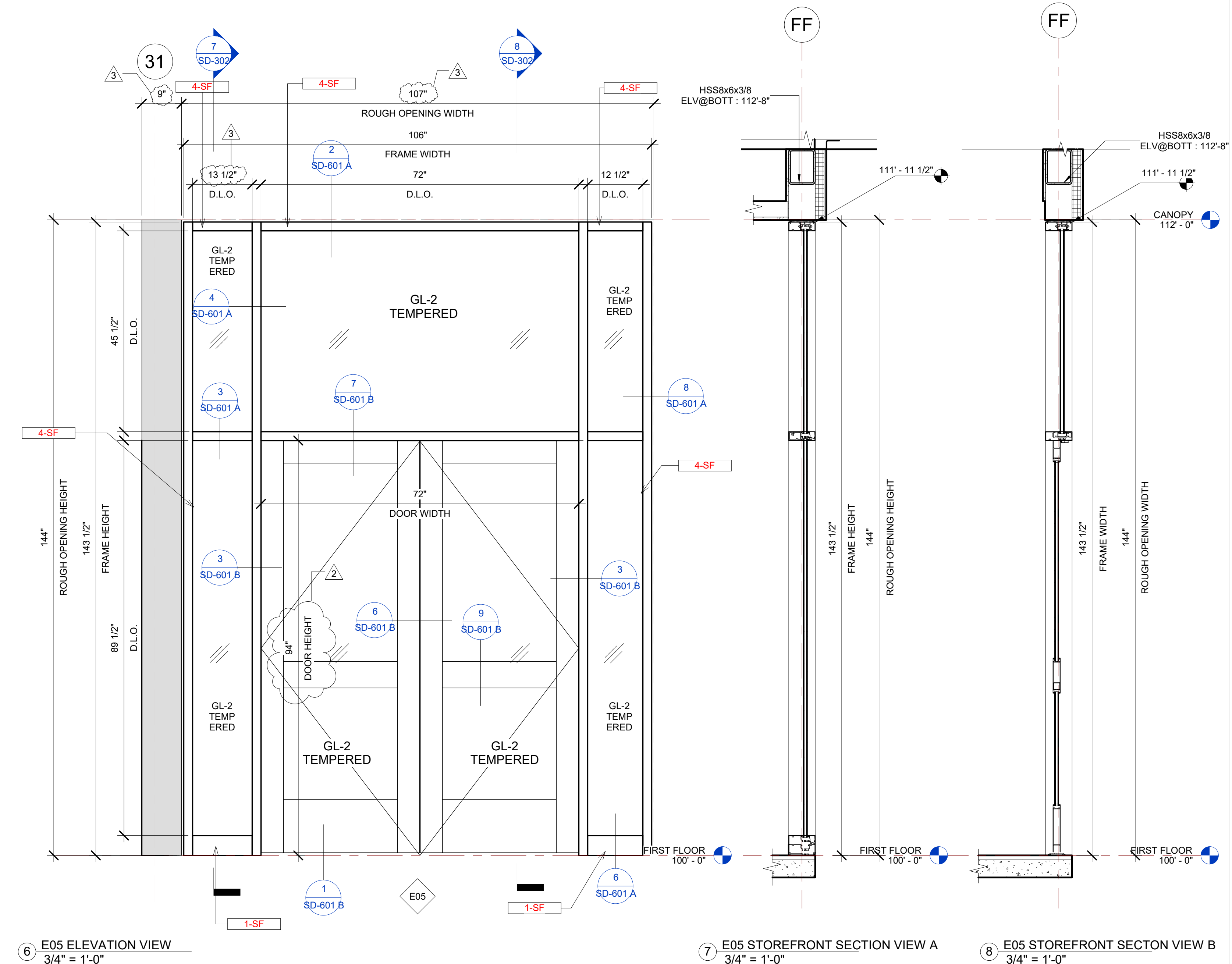
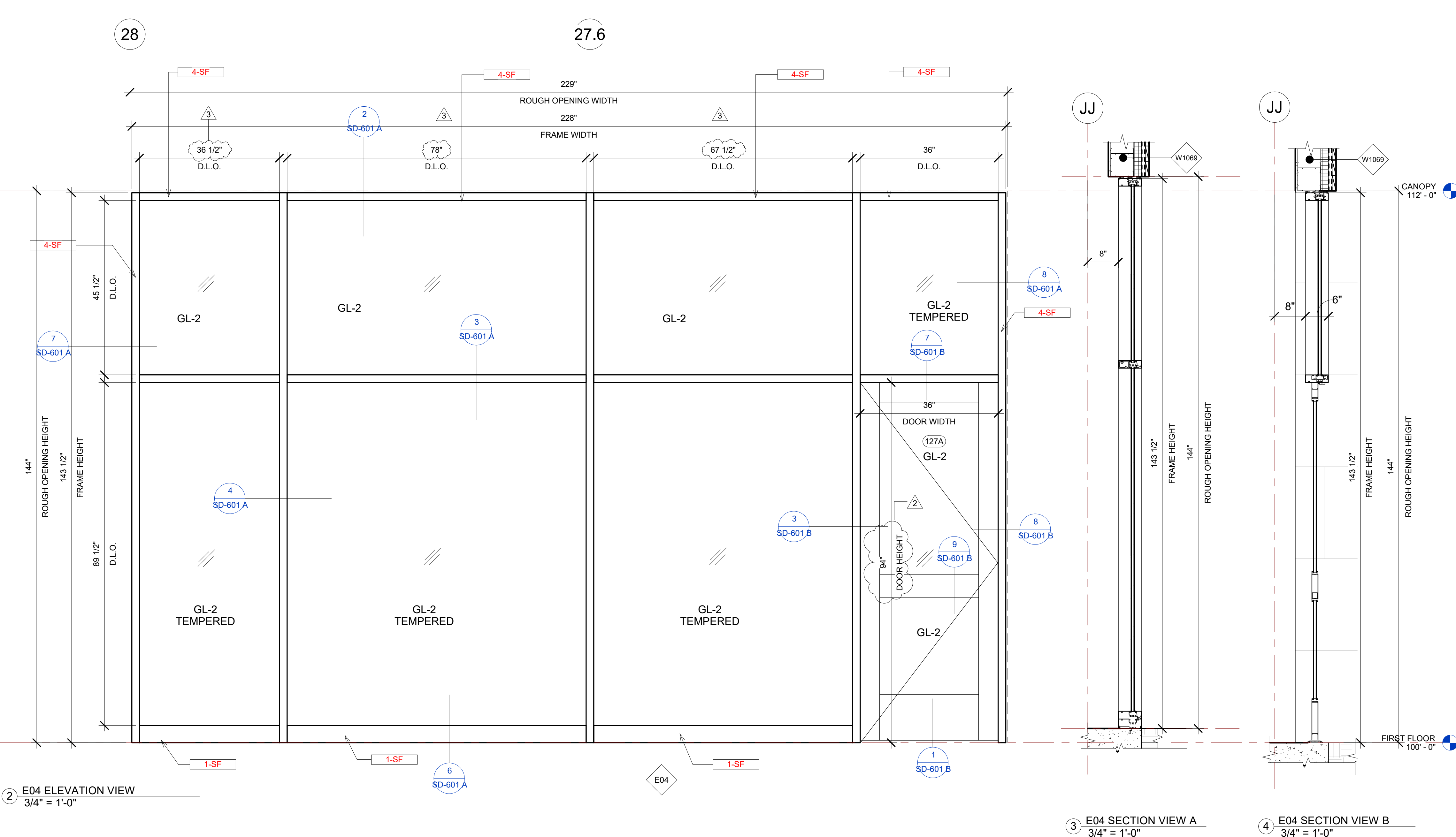
Revision Schedule		
Revision Number	Revision Description	Revision Date
1	REVISED CONCERNING SIMSONA SUBMITTAL #01	06-02-2022
2	REVISED CONCERNING SIMSONA SUBMITTAL #02	06-06-2022
3	REVISED CONCERNING SUBMITTAL#03 COMMENTS	07-12-2022
8	DESIGN CALCULATION DETAILS ADDED	08-26-2022

E02, E03 STOREFRONT DETAILS		
PROJECT NUMBER	SIM-37	SD-301
DATE	08-26-2022	
Drawn by	AC/AG/AY/SS	
Checked by	AP	
		SCALE-As indicated

E04 STOREFRONT SCHEDULE											
NAME	FRAME SIZE		FRAME FINISHES				FRAME SPECIFICATION		DOOR SPECIFICATIONS		
	FRAME LENGTH	FRAME HEIGHT	MFR.	SERIES	PANEL MATERIAL	FINISHES	MULLION SIZE	GLAZING TYPE	DOOR TAG	DOOR SIZE	HARDWARE GROUP
E04	19' - 0"	11' - 11 1/2"	OBE	6000 XT	ALUMINIUM	ANODIZED DARK BRONZE	2" x 6"	GL-2	127A	3'-0"x7'-10"	#8
Grand total: 1											

E05 STOREFRONT SCHEDULE											
NAME	FRAME SIZE		FRAME FINISHES				FRAME SPECIFICATION		DOOR SPECIFICATIONS		
	FRAME LENGTH	FRAME HEIGHT	MFR.	SERIES	PANEL MATERIAL	FINISHES	MULLION SIZE	GLAZING TYPE	DOOR TAG	DOOR SIZE	HARDWARE GROUP
E05	8' - 10"	11' - 11 1/2"	OBE	6000 XT	ALUMINIUM	ANODIZED DARK BRONZE	2" x 6"	GL-2	103B	3'-0"x7'-10"	#3
Grand total: 1											

IDAHO CONNECTION DETAILS	
TAG	DESCRIPTION
1-SF	ANCHORAGE INTO CONCRETE =USE (2) 3/8" DIA. SIMPSON TITEN HD SCREW ANCHOR WITH 2-1/2" NOMINAL DEPTH, INSTALLATION PER ICC-ES ESR-2713
4-SF	EDGE MULLION ANCHORAGE INTO STRUCTURAL STEEL=USE (2) ITW BUILDDEX TEKS 12-24 TEKS/ 5 SCREW @EA SIDE OF MULLION WITH 3" MIN. SPACING, 1" MIN EDGE DISTANCE, 1/8" MIN. STEEL THICKNESS, INSTALLATION PER ICC-ES ESR-1976



GLASS SPECIFICATIONS	
GL-1	1/4" CLEAR (TEMPERED WHERE REQUIRED/INDICATED)
GL-2	1" OA, 1/4" CLEAR, SNX 51/23, 1/2" BLACK SPACER, 1/4" CLEAR (TEMPERED WHERE REQUIRED)
GL-3	1" OA, 1/4" CLEAR, SNX 51/23, 1/2" BLACK SPACER, 1/4" CLEAR SOLID BLACK FRIT (SX2439) #4 (TEMP WHERE REQUIRED)
GL-4	1" OA, 1/4" CLEAR, SNX 51/23, 1/2" BLACK SPACER, 9/16" .060 WHITE DIFFUSED LAMI/ ACID ETCH FRIT

BIM ARCHITECTS AND ENGINEERS  
**SIMSONA CORP.**  
 1451 Rockville Pike, Suite #250,  
 Rockville, MD 20850  
 Phone : 301-408-8553  
 Email: raj@simsona.com  
 www.simsonacadd.com

PROJECT NAME  
**IDAHO OUTDOOR FIELDHOUSE**  
 3211 E. BARBER VALLEY Dr. BOISE,  
 IDAHO 83716

Revision Schedule		
Revision Number	Revision Description	Revision Date
2	REVISED CONCERNING SIMSONA SUBMITTAL #02	06-06-2022
3	REVISED CONCERNING SUBMITTAL#03 COMMENTS	07-12-2022
8	DESIGN CALCULATION DETAILS ADDED	08-26-2022

**E04, E05 STOREFRONT DETAILS**

PROJECT NUMBER SIM-37

DATE 08-26-2022

Drawn by AC/AG/AY/SS

Checked by AP

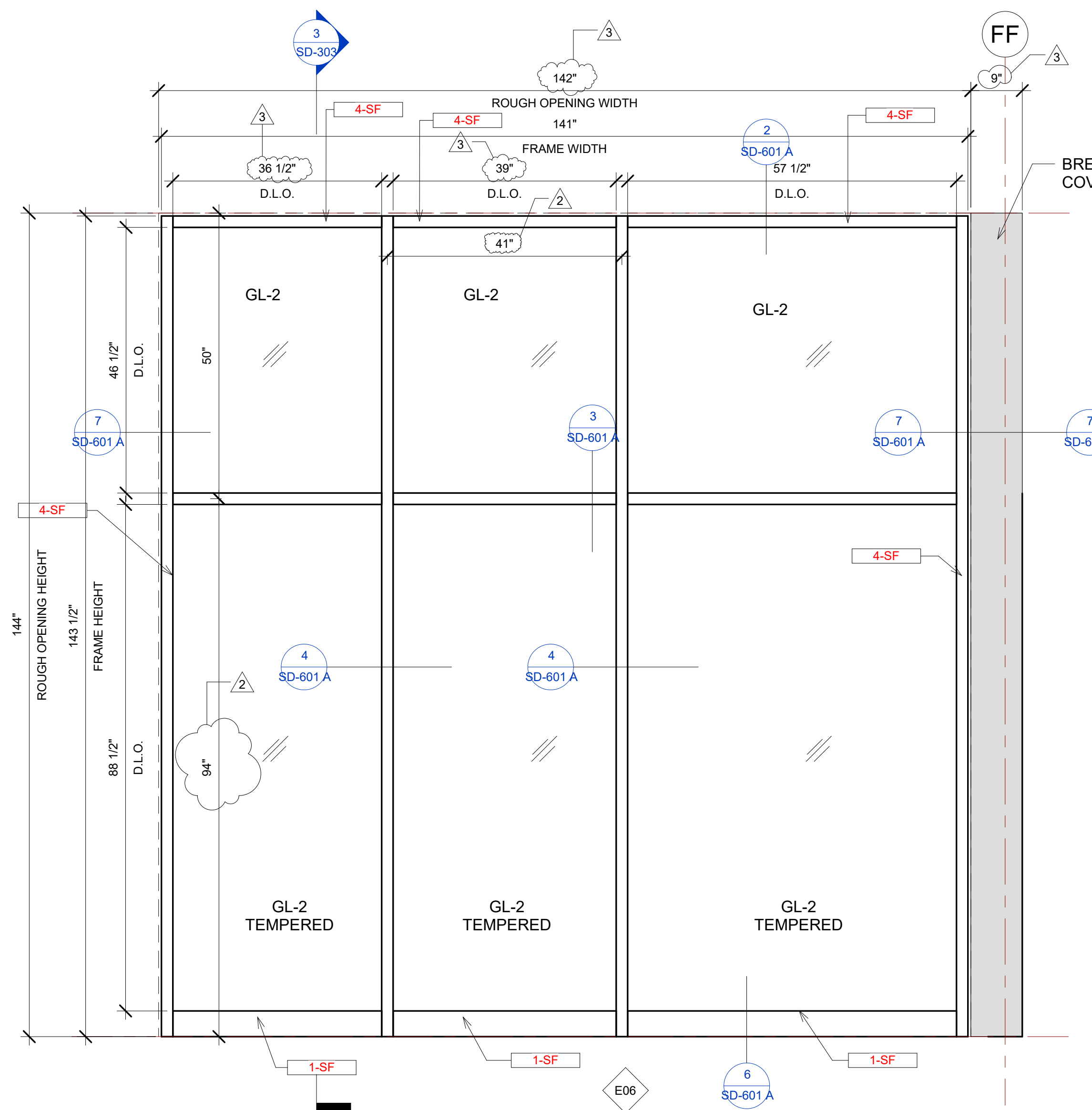
SD-302

SCALE- 3/4" = 1'-0"

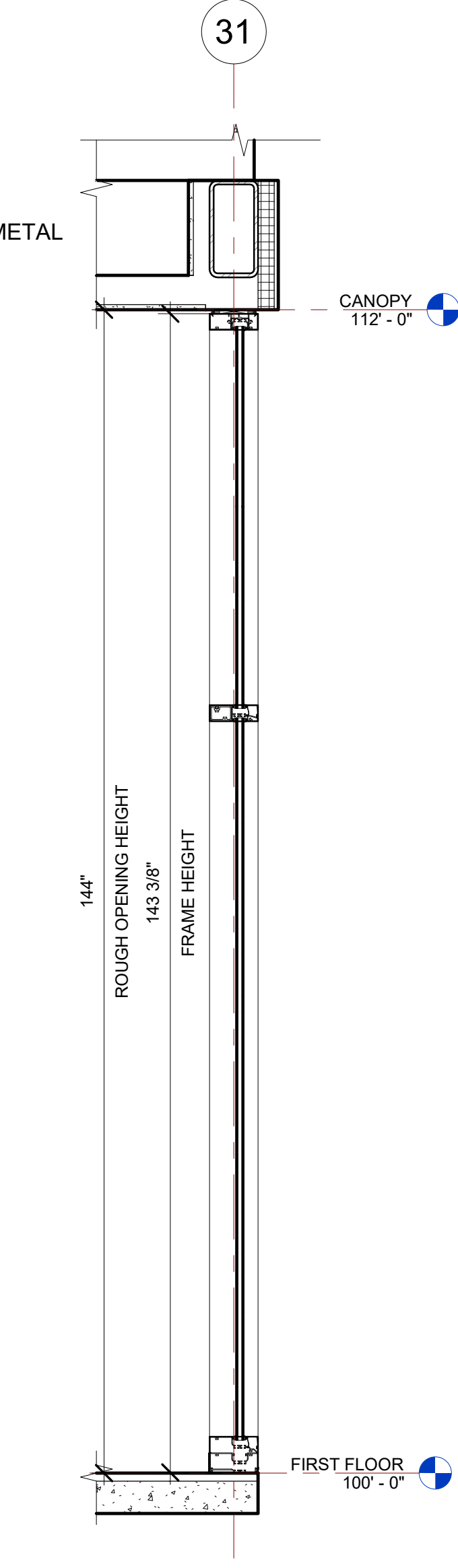
E06 STOREFRONT SCHEDULE								
NAME	FRAME SIZE		FRAME FINISHES			FRAME SPECIFICATION		
	FRAME LENGTH	FRAME HEIGHT	MFR.	SERIES	PANEL MATERIAL	FINISHES	MULLION SIZE	GLAZING TYPE
E06	11' - 9"	11' - 11 1/2"	OBE	6000 XT	ALUMINIUM	ANODIZED DARK BRONZE	2" x 6"	GL-2
Grand total: 1								

IDAHO CONNECTION DETAILS	
TAG	DESCRIPTION
1-SF	ANCHORAGE INTO CONCRETE =USE (2) 3/8" DIA. SIMPSON TITEN HD SCREW ANCHOR WITH 2-1/2" NOMINAL DEPTH, INSTALLATION PER ICC-ES ESR-2713
4-SF	EDGE MULLION ANCHORAGE INTO STRUCTURAL STEEL=USE (2) ITW BUILDEX TEKS 12-24 TEKS/ 5 SCREW @EA SIDE OF MULLION WITH 3" MIN. SPACING, 1" MIN EDGE DISTANCE, 1/8" MIN. STEEL THICKNESS, INSTALLATION PER ICC-ES ESR-1976

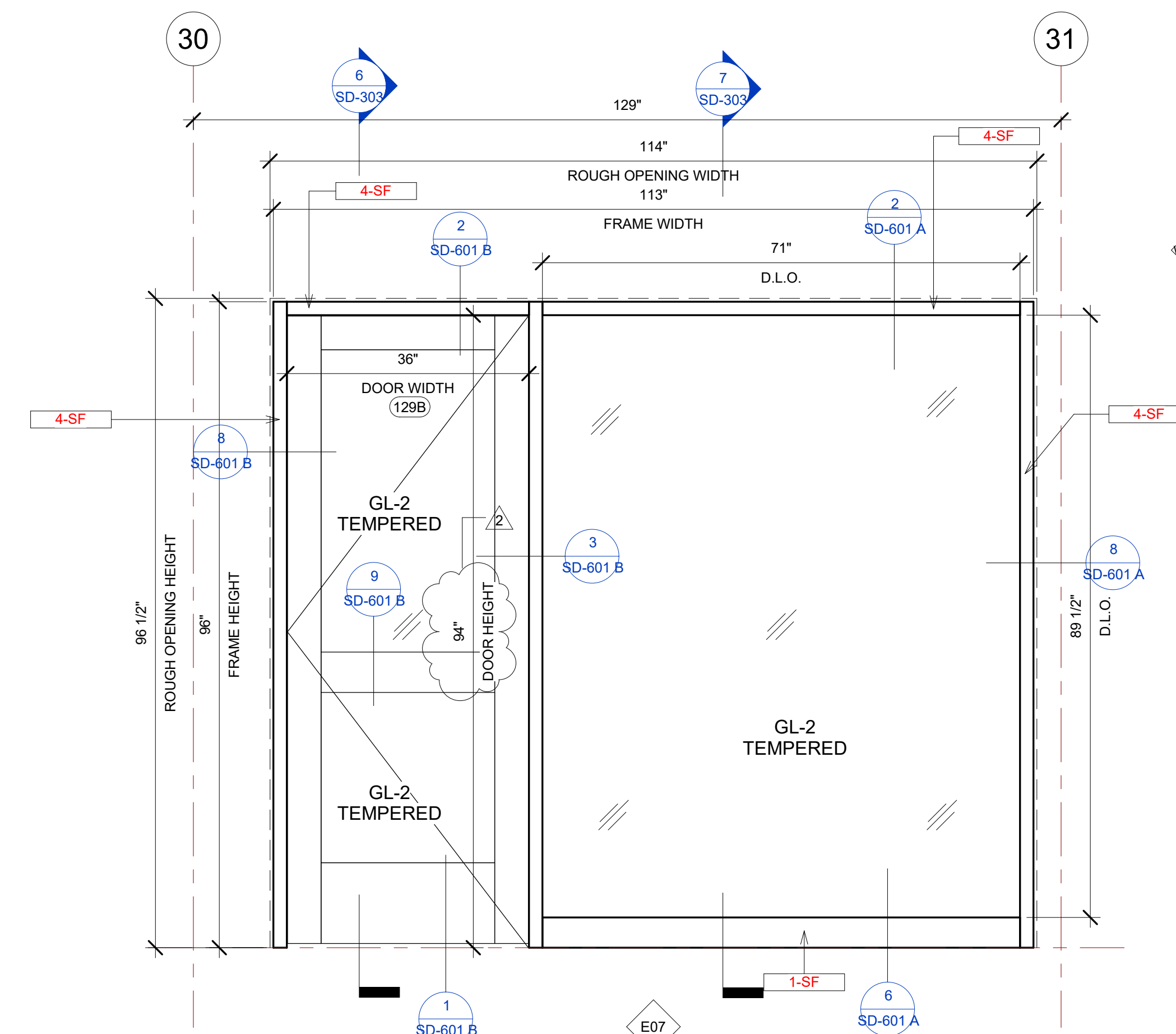
E07 STOREFRONT SCHEDULE											
NAME	FRAME SIZE		FRAME FINISHES			FRAME SPECIFICATION		DOOR SPECIFICATIONS			
	FRAME LENGTH	FRAME HEIGHT	MFR.	SERIES	PANEL MATERIAL	FINISHES	MULLION SIZE	GLAZING TYPE	DOOR TAG	DOOR SIZE	HARDWARE GROUP
E07	9' - 5"	8' - 0"	OBE	6000 XT	ALUMINIUM	ANODIZED DARK BRONZE	2" x 6"	GL-2	129B	3'-0"x7'-10"	#28
Grand total: 1											



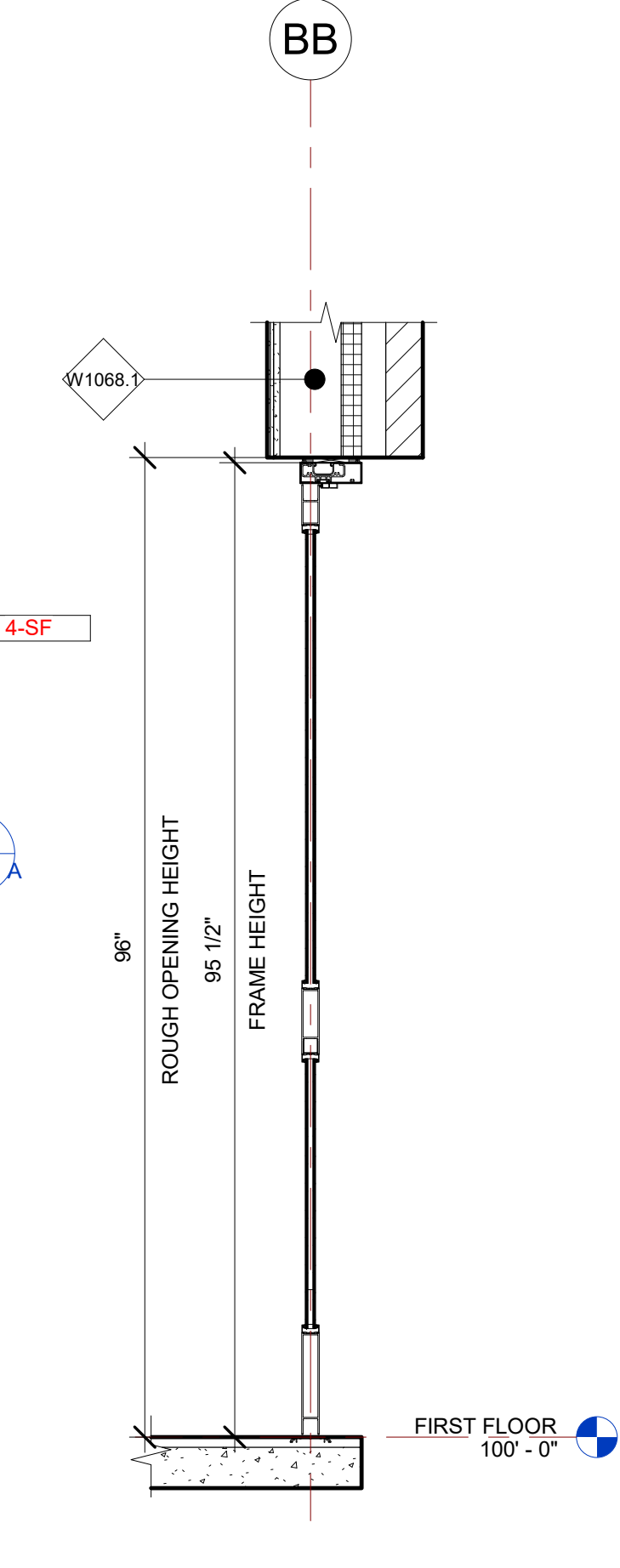
2 E06 STOREFRONT VIEW  
3/4" = 1'-0"



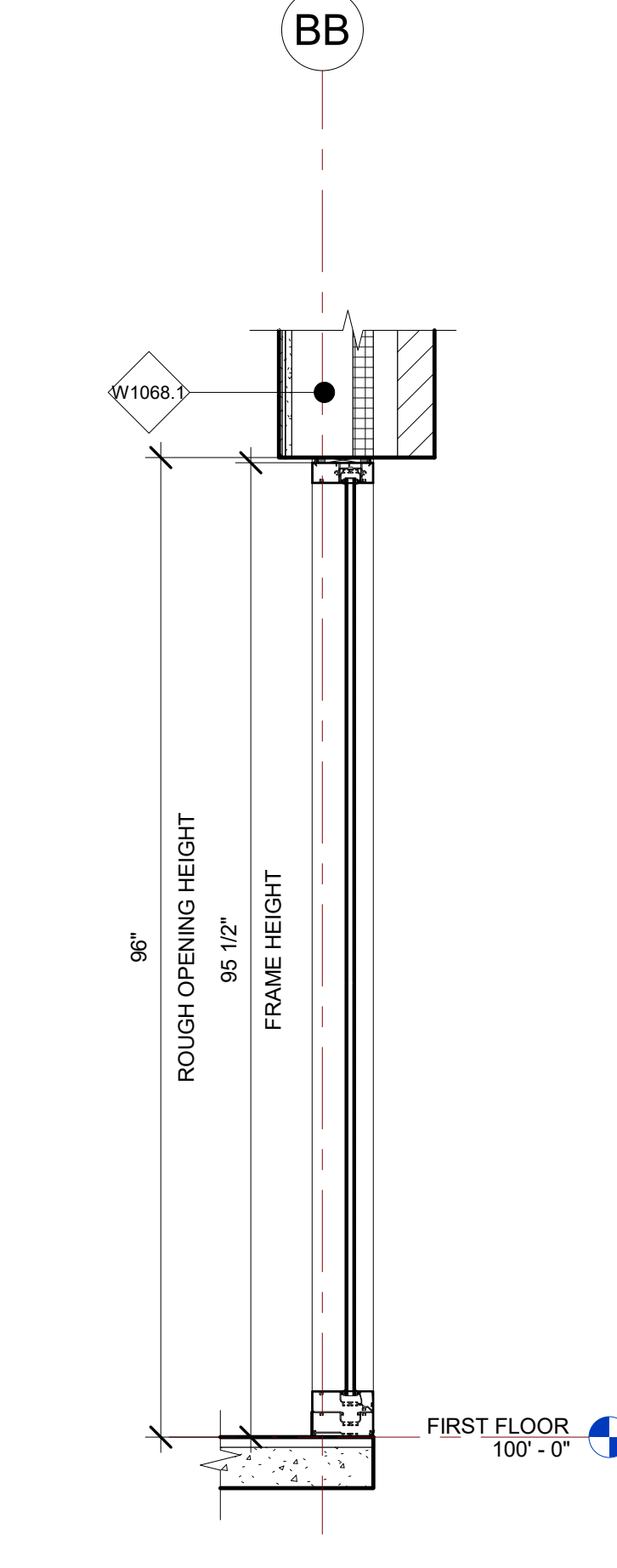
3 E06 STOREFRONT SECTION VIEW  
3/4" = 1'-0"



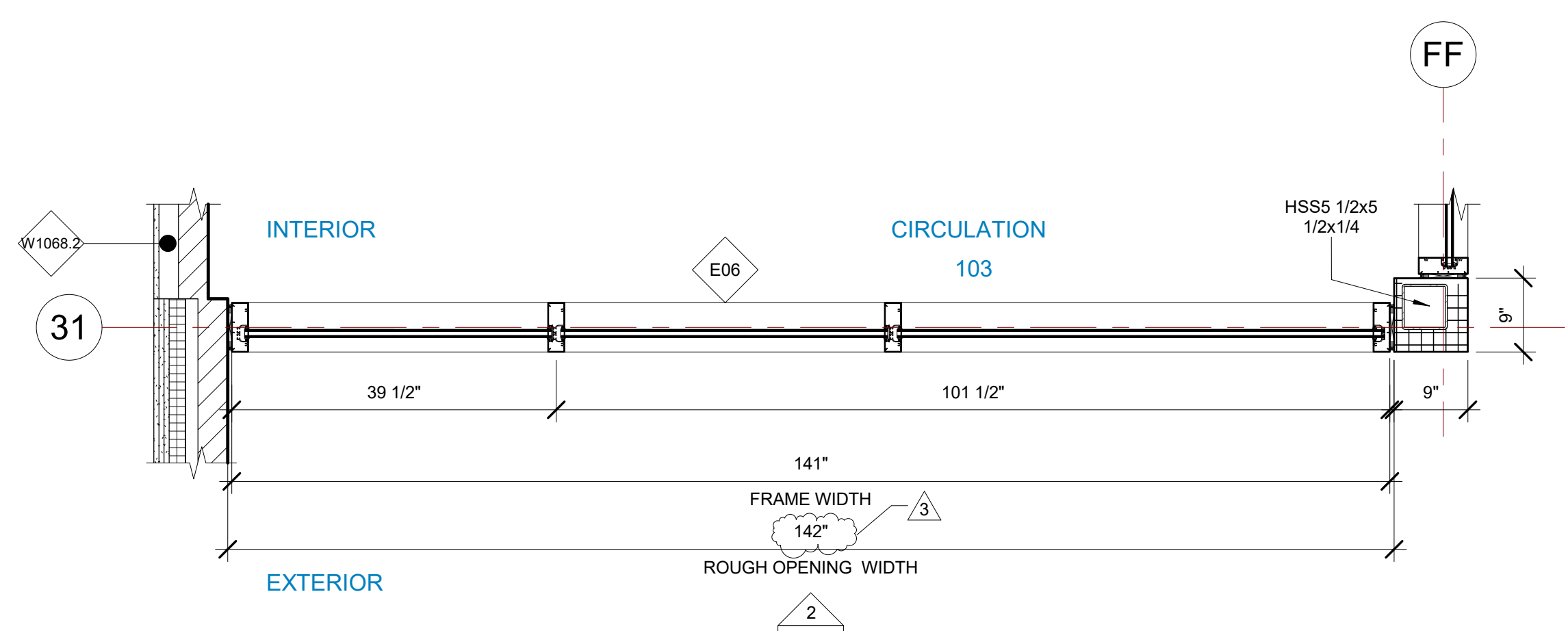
5 E07 ELEVATION VIEW  
3/4" = 1'-0"



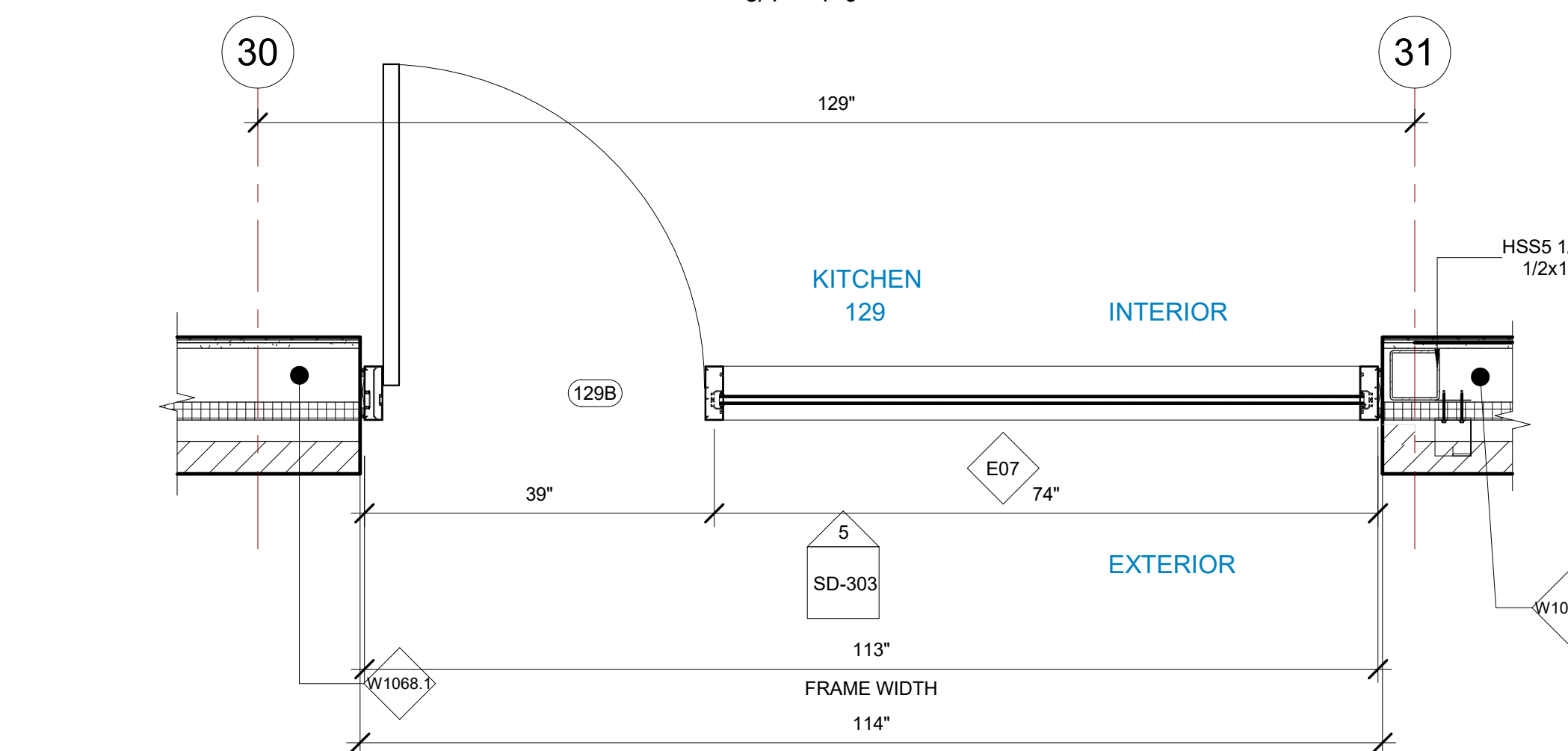
6 E07 STOREFRONT SECTION A  
3/4" = 1'-0"



7 E07 STOREFRONT SECTION VIEW B  
3/4" = 1'-0"



1 E06 STOREFRONT PLAN VIEW  
3/4" = 1'-0"



4 E07 STOREFRONT PLAN VIEW  
3/4" = 1'-0"

GLASS SPECIFICATIONS	
GL-1	1/4" CLEAR (TEMPERED WHERE REQUIRED/INDICATED)
GL-2	1" OA, 1/4" CLEAR, SNX 51/23, 1/2" BLACK SPACER, 1/4" CLEAR (TEMPERED WHERE REQUIRED)
GL-3	1" OA, 1/4" CLEAR, SNX 51/23, 1/2" BLACK SPACER, 1/4" CLEAR SOLID BLACK FRIT (SX2439) #4 (TEMP WHERE REQUIRED)
GL-4	1" OA, 1/4" CLEAR, SNX 51/23, 1/2" BLACK SPACER, 9/16" .060 WHITE DIFFUSED LAMI/ ACID ETCH FRIT

BIM ARCHITECTS AND ENGINEERS  
**SIMSONA CORP.**  
 1451 Rockville Pike, Suite #250,  
 Rockville, MD 20850  
 Phone : 301-408-8553  
 Email: raj@simsona.com  
 www.simsonacadd.com

PROJECT NAME  
**IDAHO OUTDOOR FIELDHOUSE**  
 3211 E. BARBER VALLEY Dr. BOISE,  
 IDAHO 83716

Revision Schedule		
Revision Number	Revision Description	Revision Date
2	REVISED CONCERNING SIMSONA SUBMITTAL #02	06-06-2022
3	REVISED CONCERNING SUBMITTAL#03 COMMENTS	07-12-2022
8	DESIGN CALCULATION DETAILS ADDED	08-26-2022

**E06, E07 STOREFRONT DETAILS**

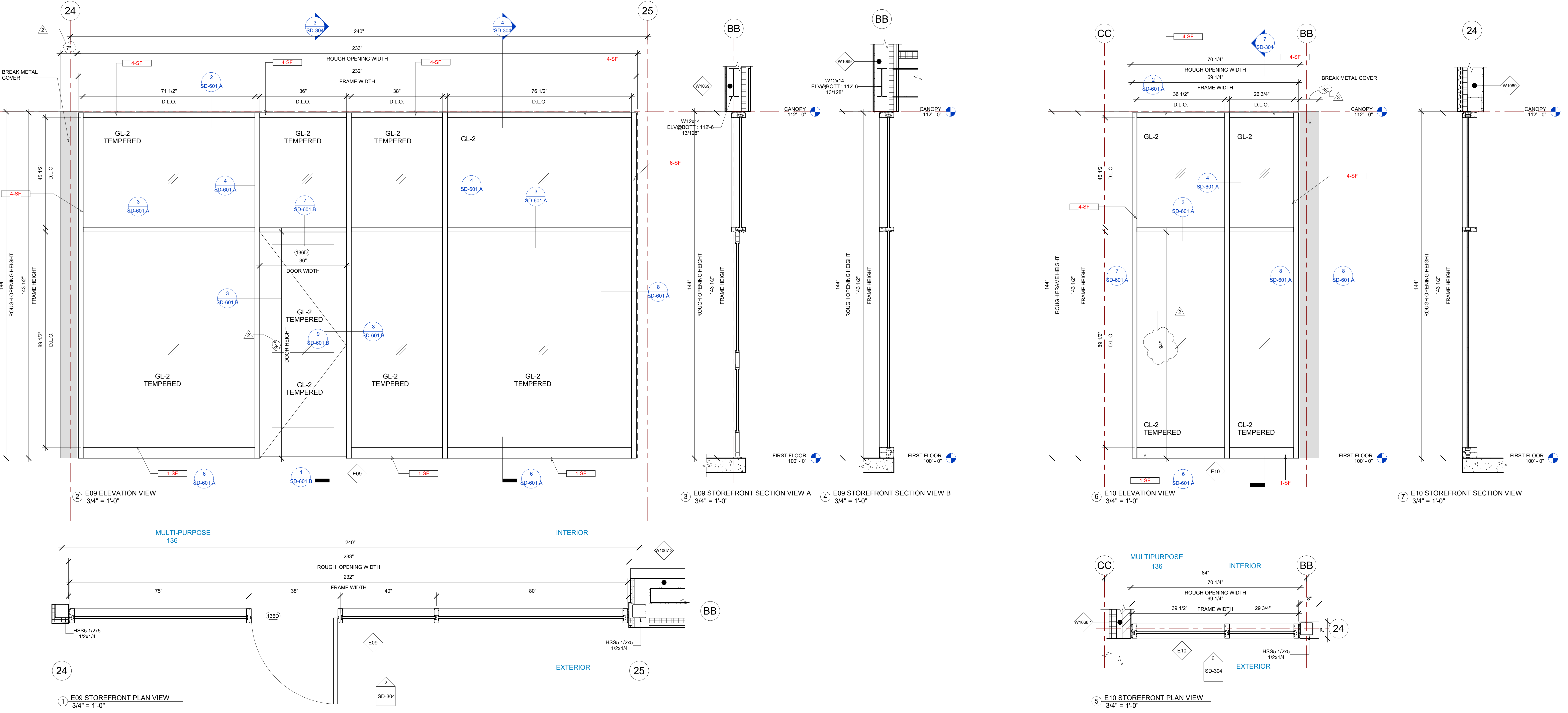
PROJECT NUMBER	SIM-37	<b>SD-303</b>
DATE	08-26-2022	
Drawn by	AC/AG/AY/SS	
Checked by	AP	
SCALE-		3/4" = 1'-0"

E09 STOREFRONT SCHEDULE											
NAME	FRAME SIZE		FRAME FINISHES				FRAME SPECIFICATION		DOOR SPECIFICATIONS		
	FRAME LENGTH	FRAME HEIGHT	MFR.	SERIES	PANEL MATERIAL	FINISHES	MULLION SIZE	GLAZING TYPE	DOOR TAG	DOOR SIZE	HARDWARE GROUP
E09	19' - 3 31/32"	11' - 11 1/2"	OBE	6000 XT	ALUMINIUM	ANODIZED DARK BRONZE	2" x 6"	GL-2	136D	3'-0"x7'-10"	#6
Grand total: 1											

IDAHO CONNECTION DETAILS	
TAG	DESCRIPTION
1-SF	ANCHORAGE INTO CONCRETE =USE (2) 3/8" DIA. SIMPSON TITEN HD SCREW ANCHOR WITH 2-1/2" NOMINAL DEPTH, INSTALLATION PER ICC-ES ESR-2713
4-SF	EDGE MULLION ANCHORAGE INTO STRUCTURAL STEEL=USE (2) ITW BUILDEX TEKS 12-24 TEKS/ 5 SCREW @EA SIDE OF MULLION WITH 3" MIN. SPACING, 1" MIN EDGE DISTANCE, 1/8" MIN. STEEL THICKNESS, INSTALLATION PER ICC-ES ESR-1976
6-SF	ANCHORAGE INTO WOOD=(2) 3/8" DIA. LAG SCREW WITH 3" PENETRATION DEPTH

E10 STOREFRONT SCHEDULE										
NAME	FRAME SIZE		FRAME FINISHES				FRAME SPECIFICATION			
	FRAME LENGTH	FRAME HEIGHT	MFR.	SERIES	PANEL MATERIAL	FINISHES	MULLION SIZE	GLAZING TYPE		
E10	5' - 9 7/32"	11' - 11 1/2"	OBE	6000 XT	ALUMINIUM	ANODIZED DARK BRONZE	2" x 6"	GL-2		
Grand total: 1										

GLASS SPECIFICATIONS	
GL-1	1/4" CLEAR (TEMPERED WHERE REQUIRED/INDICATED)
GL-2	1" OA, 1/4" CLEAR, SNX 51/23, 1/2" BLACK SPACER, 1/4" CLEAR (TEMPERED WHERE REQUIRED)
GL-3	1" OA, 1/4" CLEAR, SNX 51/23, 1/2" BLACK SPACER, 1/4" CLEAR SOLID BLACK FRIT (SX2439) #4 (TEMP WHERE REQUIRED)
GL-4	1" OA, 1/4" CLEAR, SNX 51/23, 1/2" BLACK SPACER, 9/16" .060 WHITE DIFFUSED LAMI/ ACID ETCH FRIT



BIM ARCHITECTS AND ENGINEERS  
**SIMSONA CORP.**  
 1451 Rockville Pike, Suite #250,  
 Rockville, MD 20850  
 Phone : 301-408-8553  
 Email: raj@simsona.com  
 www.simsonacadd.com

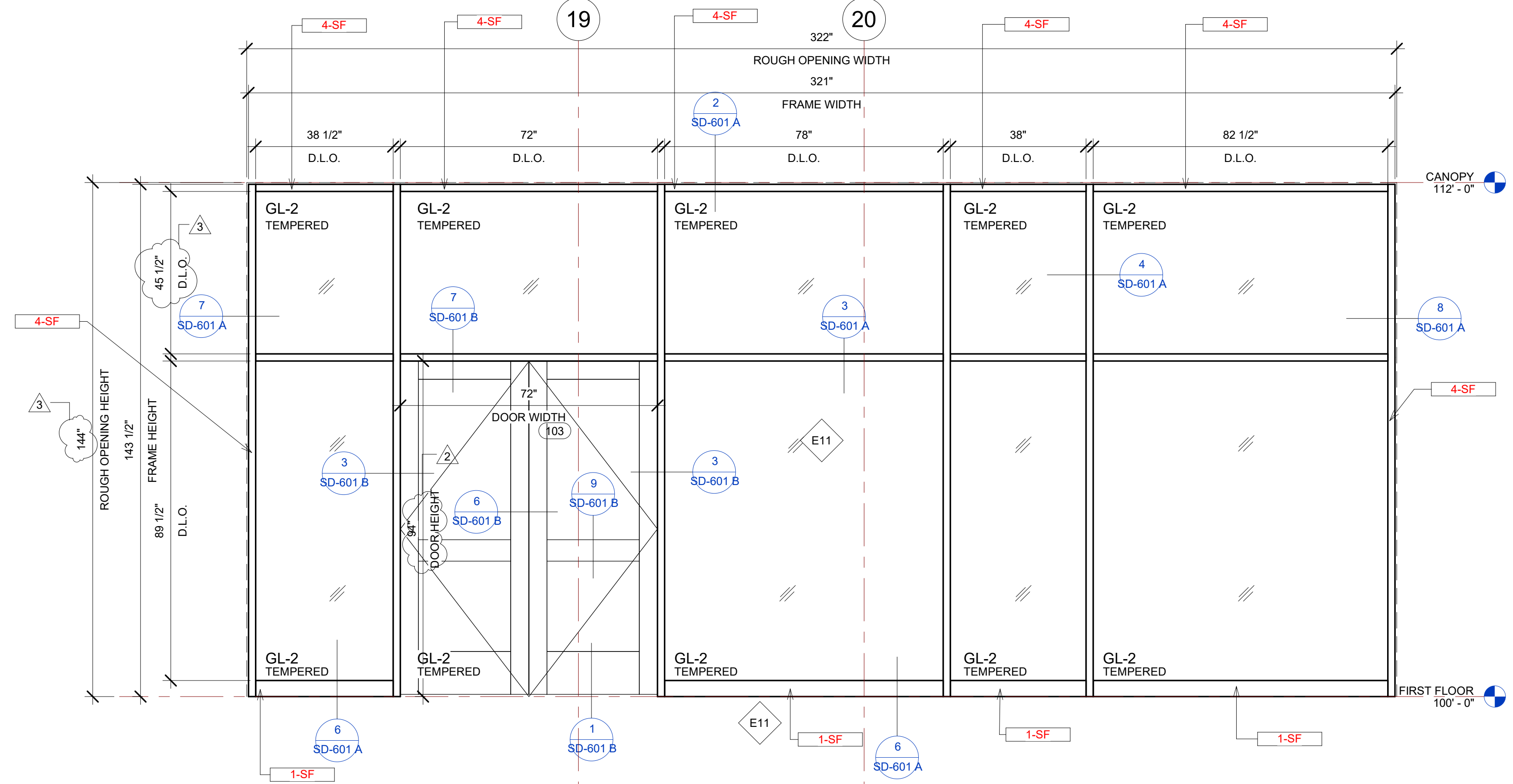
PROJECT NAME  
**IDAHO OUTDOOR FIELDHOUSE**  
 3211 E. BARBER VALLEY Dr. BOISE,  
 IDAHO 83716

Revision Schedule		
Revision Number	Revision Description	Revision Date
2	REVISED CONCERNING SIMSONA SUBMITTAL #02	06-06-2022
3	REVISED CONCERNING SUBMITTAL#03 COMMENTS	07-12-2022
8	DESIGN CALCULATION DETAILS ADDED	08-26-2022

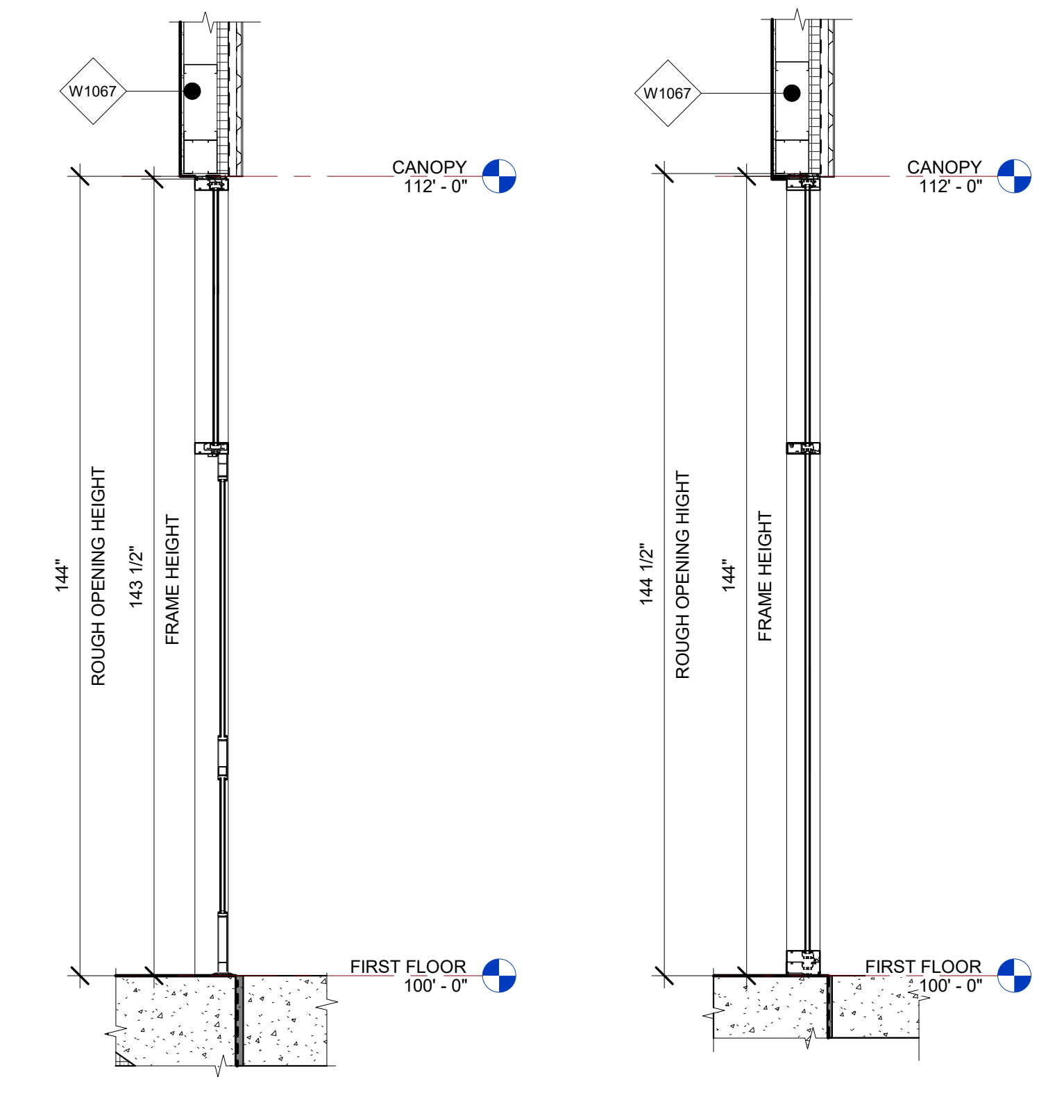
**E09, E10 STOREFRONT DETAILS**

PROJECT NUMBER	SIM-37	SD-304
DATE	08-26-2022	
Drawn by	AC/AG/AY/SS	SCALE- 3/4" = 1'-0"
Checked by	AP	

PLOT CREATED: 08-26-2022



5 E11 ELEVATION VIEW  
1/2" = 1'-0"



6 E11 STOREFRONT SECTION VIEW A  
1/2" = 1'-0"

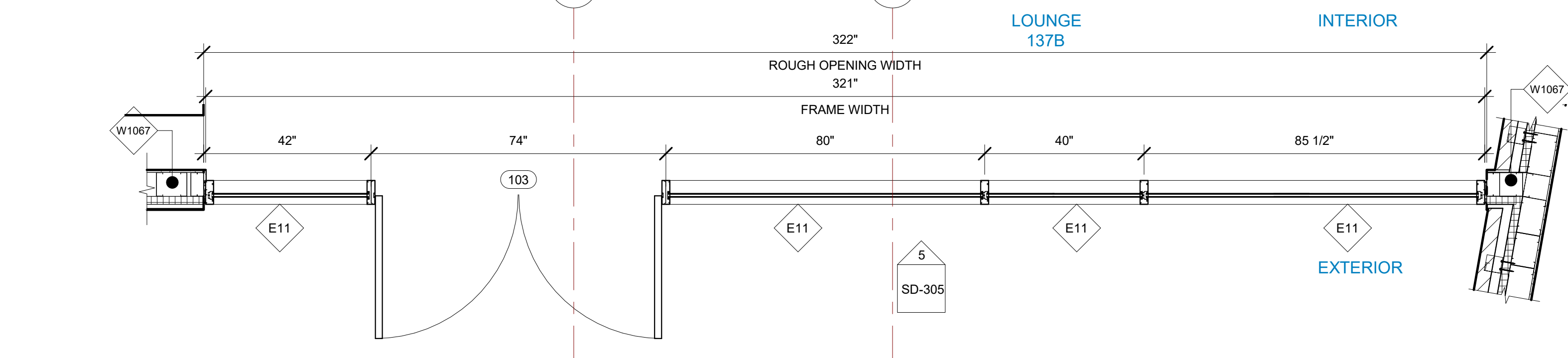
7 E11 STOREFRONT SECTION VIEW B  
1/2" = 1'-0"

E11 STOREFRONT SCHEDULE											
NAME	FRAME SIZE		FRAME FINISHES				FRAME SPECIFICATION		DOOR SPECIFICATIONS		
	FRAME LENGTH	FRAME HEIGHT	MFR.	SERIES	PANEL MATERIAL	FINISHES	MULLION SIZE	GLAZING TYPE	DOOR TAG	DOOR SIZE	HARDWARE GROUP
E11	26' - 9"	11' - 11 1/2"	OBE	6000 XT	ALUMINIUM	ANODIZED DARK BRONZE	2" x 6"	GL-2	103	6'-0"x7'-10"	#3
Grand total: 1											

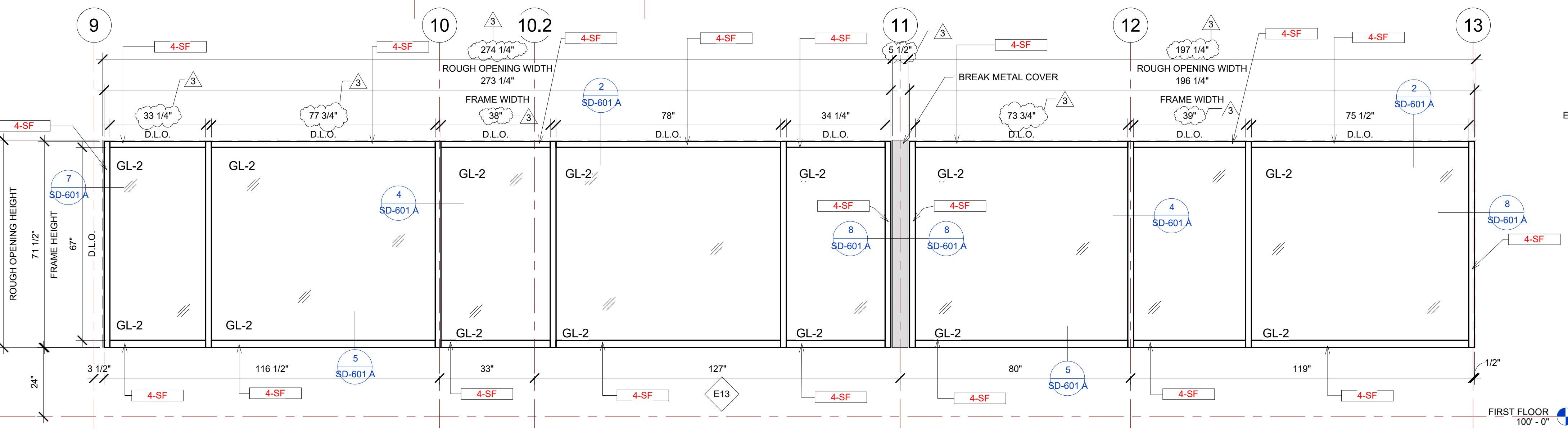
E13 STOREFRONT SCHEDULE											
NAME	FRAME SIZE		FRAME FINISHES				FRAME SPECIFICATION		DOOR SPECIFICATIONS		
	FRAME LENGTH	FRAME HEIGHT	MFR.	SERIES	PANEL MATERIAL	FINISHES	MULLION SIZE	GLAZING TYPE	DOOR TAG	DOOR SIZE	HARDWARE GROUP
E13	16' - 4 1/4"	5' - 11 1/2"	OBE	6000 XT	ALUMINIUM	ANODIZED DARK BRONZE	2" x 6"	GL-2			
E13	22' - 9 1/4"	5' - 11 1/2"	OBE	6000 XT	ALUMINIUM	ANODIZED DARK BRONZE	2" x 6"	GL-2			
Grand total: 2											

IDAHO CONNECTION DETAILS	
TAG	DESCRIPTION
1-SF	ANCHORAGE INTO CONCRETE =USE (2) 3/8" DIA. SIMPSON TITEN HD SCREW ANCHOR WITH 2-1/2" NOMINAL DEPTH, INSTALLATION PER ICC-ES ESR-2713
4-SF	EDGE MULLION ANCHORAGE INTO STRUCTURAL STEEL=USE (2) ITW BUILDEX TEKS 12-24 TEKS/ 5 SCREW @EA SIDE OF MULLION WITH 3" MIN. SPACING, 1" MIN EDGE DISTANCE, 1/8" MIN. STEEL THICKNESS, INSTALLATION PER ICC-ES ESR-1976

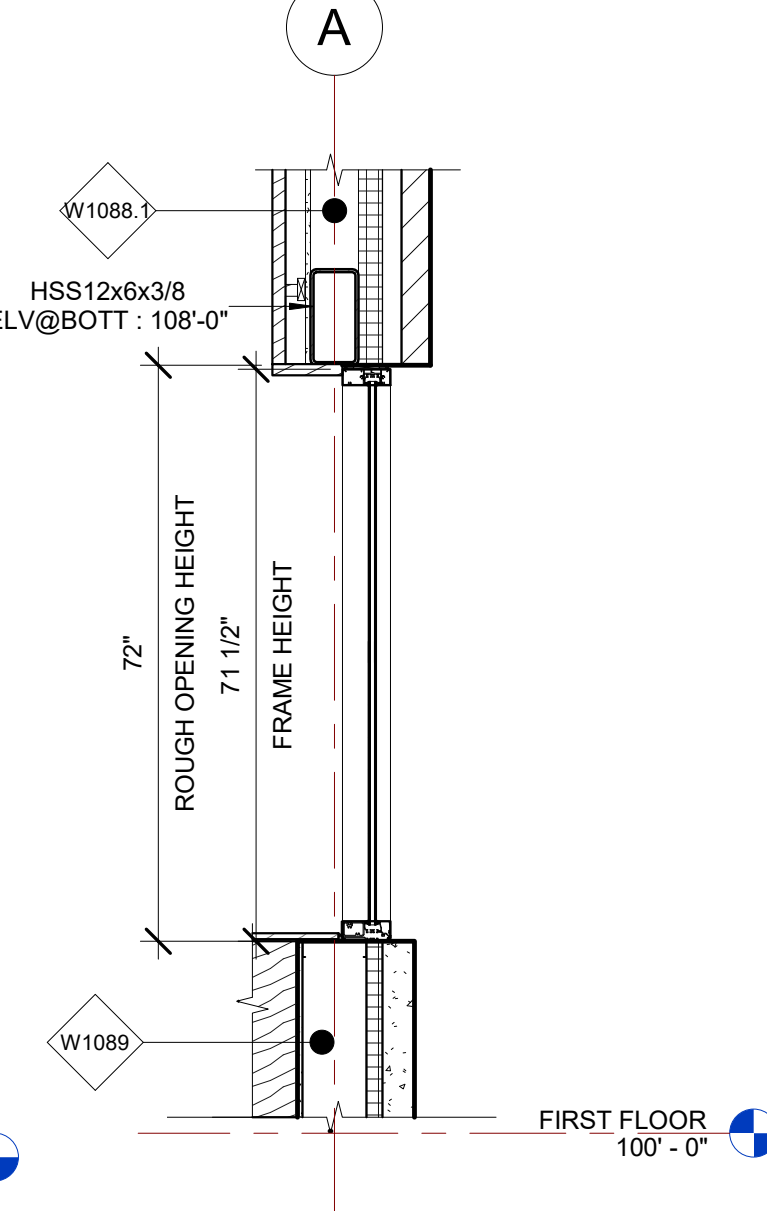
GLASS SPECIFICATIONS	
GL-1	1/4" CLEAR (TEMPERED WHERE REQUIRED/INDICATED)
GL-2	1" OA, 1/4" CLEAR, SNX 51/23, 1/2" BLACK SPACER, 1/4" CLEAR (TEMPERED WHERE REQUIRED)
GL-3	1" OA, 1/4" CLEAR, SNX 51/23, 1/2" BLACK SPACER, 1/4" CLEAR SOLID BLACK FRIT (SX2439) #4 (TEMP WHERE REQUIRED)
GL-4	1" OA, 1/4" CLEAR, SNX 51/23, 1/2" BLACK SPACER, 9/16" .060 WHITE DIFFUSED LAM/ ACID ETCH FRIT



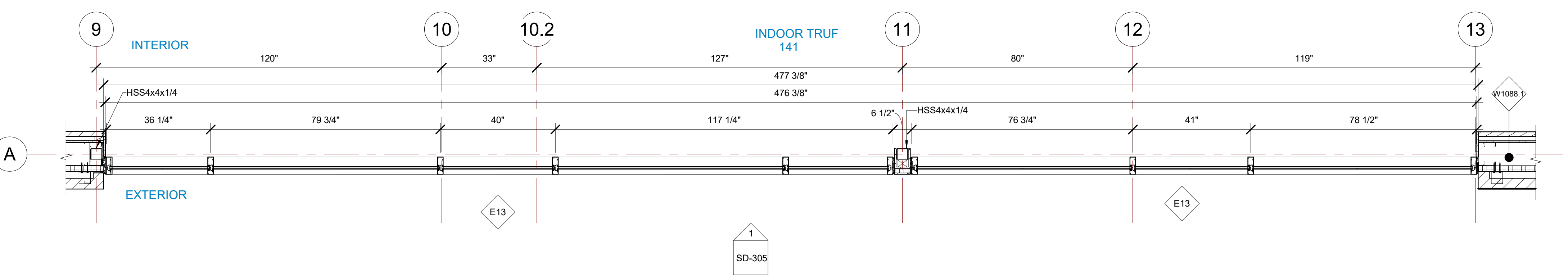
4 E11 STOREFRONT PLAN VIEW  
1/2" = 1'-0"



1 E13 ELEVATION VIEW  
1/2" = 1'-0"



3 E13 STOREFRONT SECTION VIEW  
1/2" = 1'-0"



2 E13 STOREFRONT PLAN VIEW  
1/2" = 1'-0"

BIM ARCHITECTS AND ENGINEERS  
**SIMSONA CORP.**  
 1451 Rockville Pike, Suite #250,  
 Rockville, MD 20850  
 Phone : 301-408-8553  
 Email: raj@simsona.com  
 www.simsonacadd.com

PROJECT NAME  
**IDAHO OUTDOOR FIELDHOUSE**  
 3211 E. BARBER VALLEY Dr. BOISE,  
 IDAHO 83716

Revision Schedule		
Revision Number	Revision Description	Revision Date
2	REVISED CONCERNING SIMSONA SUBMITTAL #02	06-06-2022
3	REVISED CONCERNING SUBMITTAL#03 COMMENTS	07-12-2022
8	DESIGN CALCULATION DETAILS ADDED	08-26-2022

**E11, E13 TOREFRONT DETAILS**

PROJECT NUMBER SIM-37

DATE 08-26-2022

Drawn by AC/AG/AY/SS

Checked by AP

SD-305

SCALE-As indicated

PLOT CREATED: 08-26-2022

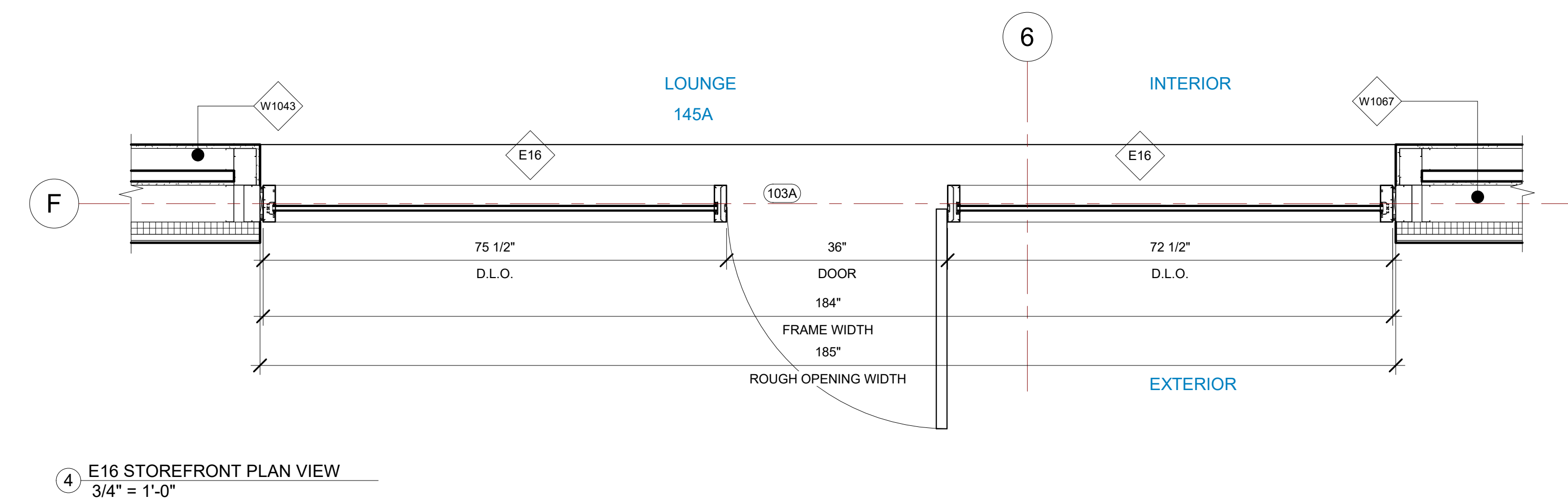
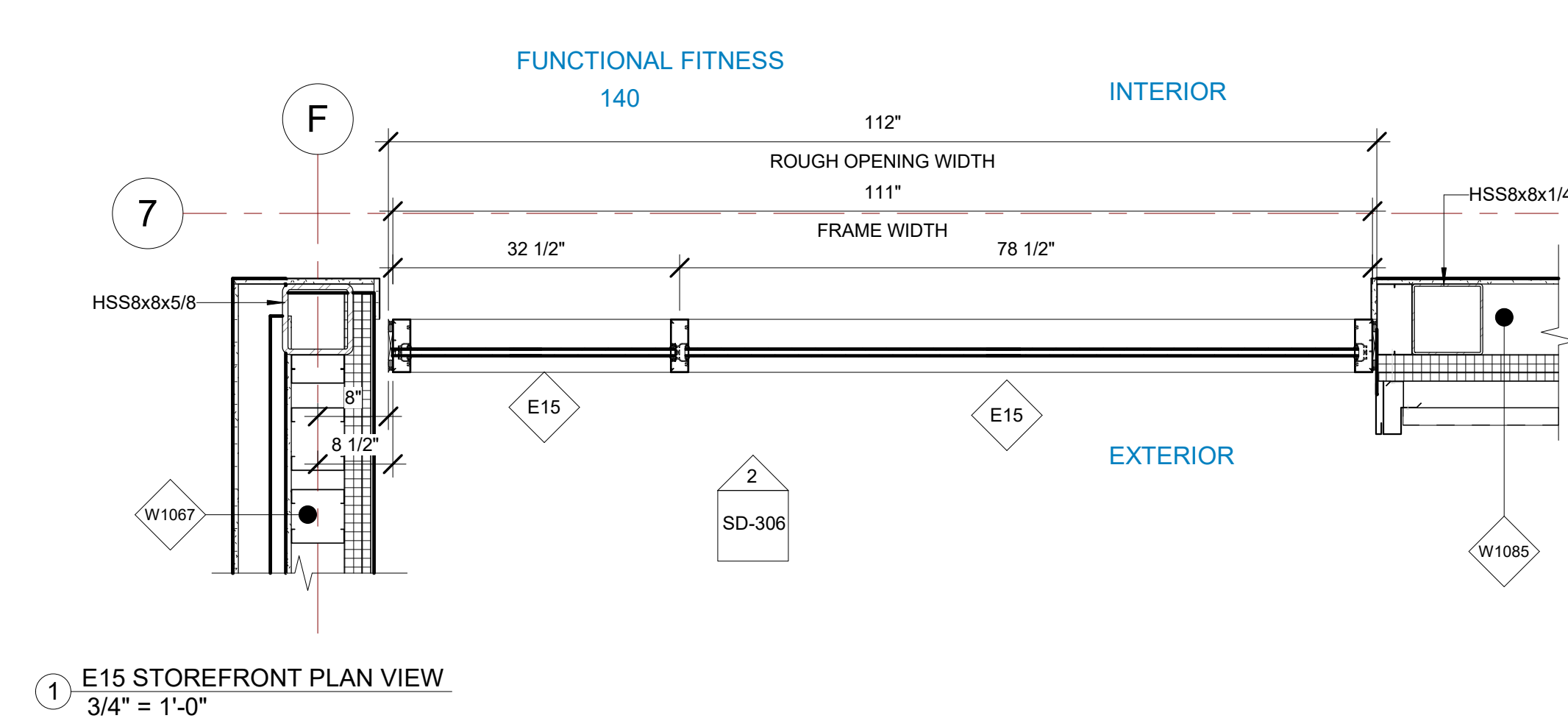
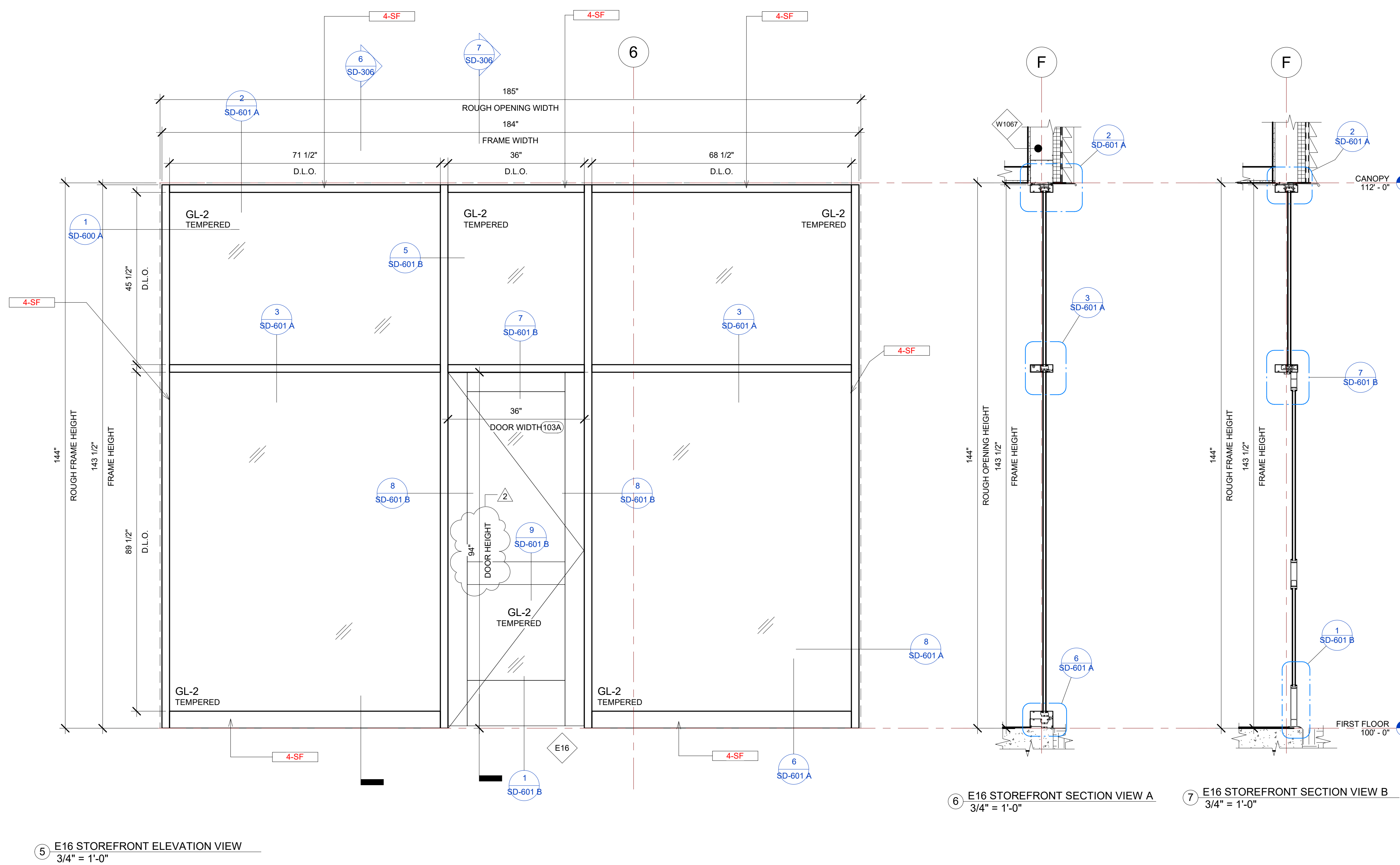
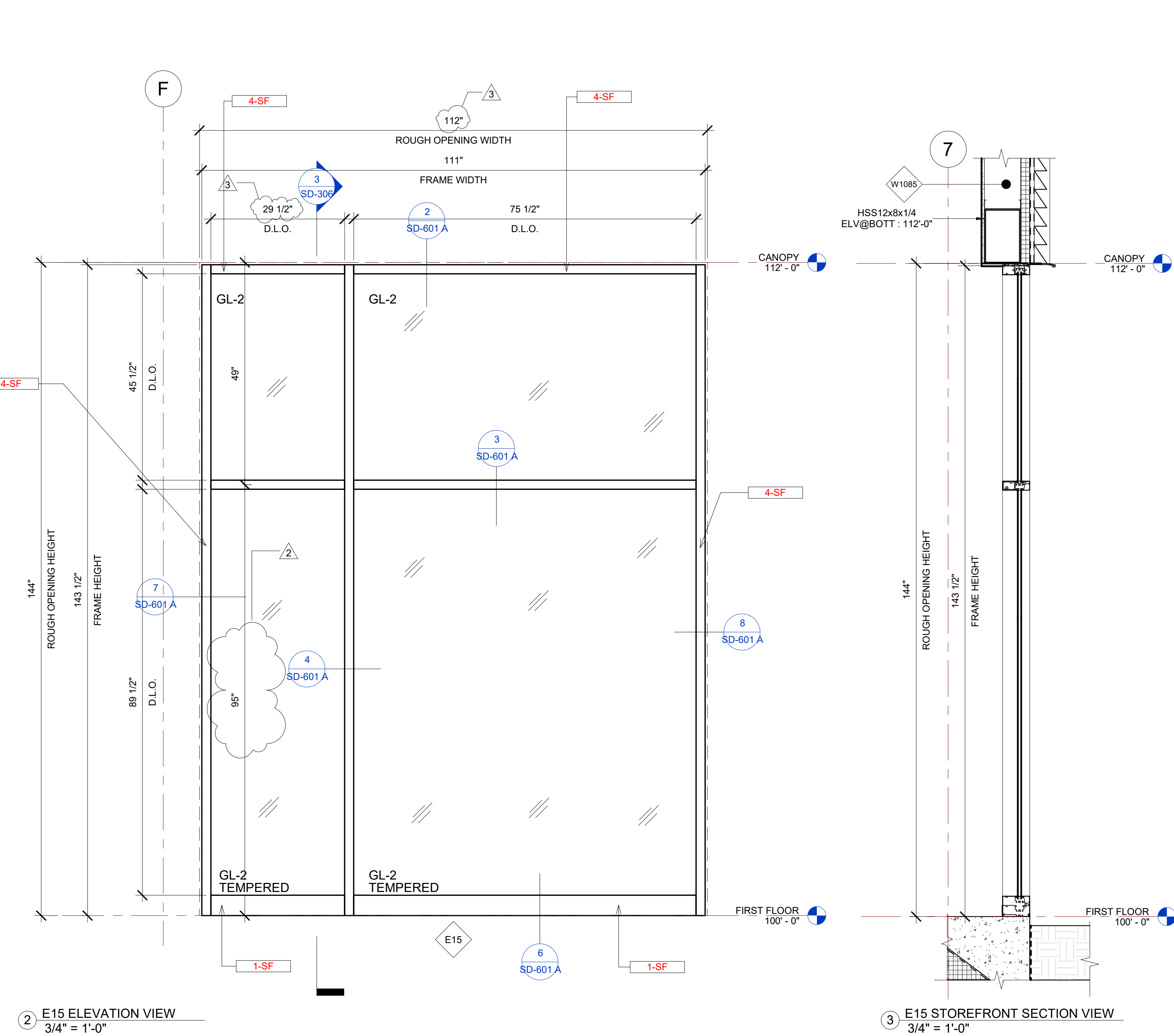


E15 STOREFRONT SCHEDULE								
NAME	FRAME SIZE		FRAME FINISHES			FRAME SPECIFICATION		
	FRAME LENGTH	FRAME HEIGHT	MFR.	SERIES	PANEL MATERIAL	FINISHES	MULLION SIZE	GLAZING TYPE
E15	9' - 3"	11' - 11 1/2"	OBE	6000 XT	ALUMINIUM	ANODIZED DARK BRONZE	2" x 6"	GL-2
Grand total: 1								

E16 STOREFRONT SCHEDULE											
NAME	FRAME SIZE		FRAME FINISHES				FRAME SPECIFICATION		DOOR SPECIFICATIONS		
	FRAME LENGTH	FRAME HEIGHT	MFR.	SERIES	PANEL MATERIAL	FINISHES	MULLION SIZE	GLAZING TYPE	DOOR TAG	DOOR SIZE	HARDWARE GROUP
E16	15' - 4"	11' - 11 1/2"	OBE	6000 XT	ALUMINIUM	ANODIZED DARK BRONZE	2" x 6"	GL-2	103A	3'-0"x7'-10"	#2
Grand total: 1											

GLASS SPECIFICATIONS	
GL-1	1/4" CLEAR (TEMPERED WHERE REQUIRED/INDICATED)
GL-2	1" OA, 1/4" CLEAR, SNX 51/23, 1/2" BLACK SPACER, 1/4" CLEAR (TEMPERED WHERE REQUIRED)
GL-3	1" OA, 1/4" CLEAR, SNX 51/23, 1/2" BLACK SPACER, 1/4" CLEAR SOLID BLACK FRIT (SX2439) #4 (TEMP WHERE REQUIRED)
GL-4	1" OA, 1/4" CLEAR, SNX 51/23, 1/2" BLACK SPACER, 9/16" .060 WHITE DIFFUSED LAMI/ ACID ETCH FRIT

IDAHO CONNECTION DETAILS	
TAG	DESCRIPTION
1-SF	ANCHORAGE INTO CONCRETE =USE (2) 3/8" DIA. SIMPSON TITEN HD SCREW ANCHOR WITH 2-1/2" NOMINAL DEPTH, INSTALLATION PER ICC-ES ESR-2713
4-SF	EDGE MULLION ANCHORAGE INTO STRUCTURAL STEEL=USE (2) ITW BUILDEX TEKS 12-24 TEKS/ 5 SCREW @EA SIDE OF MULLION WITH 3" MIN. SPACING, 1" MIN EDGE DISTANCE, 1/8" MIN. STEEL THICKNESS, INSTALLATION PER ICC-ES ESR-1976



BIM ARCHITECTS AND ENGINEERS

**SIMSONA CORP.**  
1451 Rockville Pike, Suite #250,  
Rockville, MD 20850  
Phone : 301-408-8553  
Email: raj@simsona.com  
www.simsonacadd.com

PROJECT NAME

**IDAHO OUTDOOR FIELDHOUSE**

3211 E. BARBER VALLEY Dr. BOISE,  
IDAHO 83716

Revision Schedule		
Revision Number	Revision Description	Revision Date
2	REVISED CONCERNING SIMSONA SUBMITTAL #02	06-06-2022
3	REVISED CONCERNING SUBMITTAL#03 COMMENTS	07-12-2022
8	DESIGN CALCULATION DETAILS ADDED	08-26-2022

**E15, E16 STOREFRONT DETAILS**

PROJECT NUMBER SIM-37

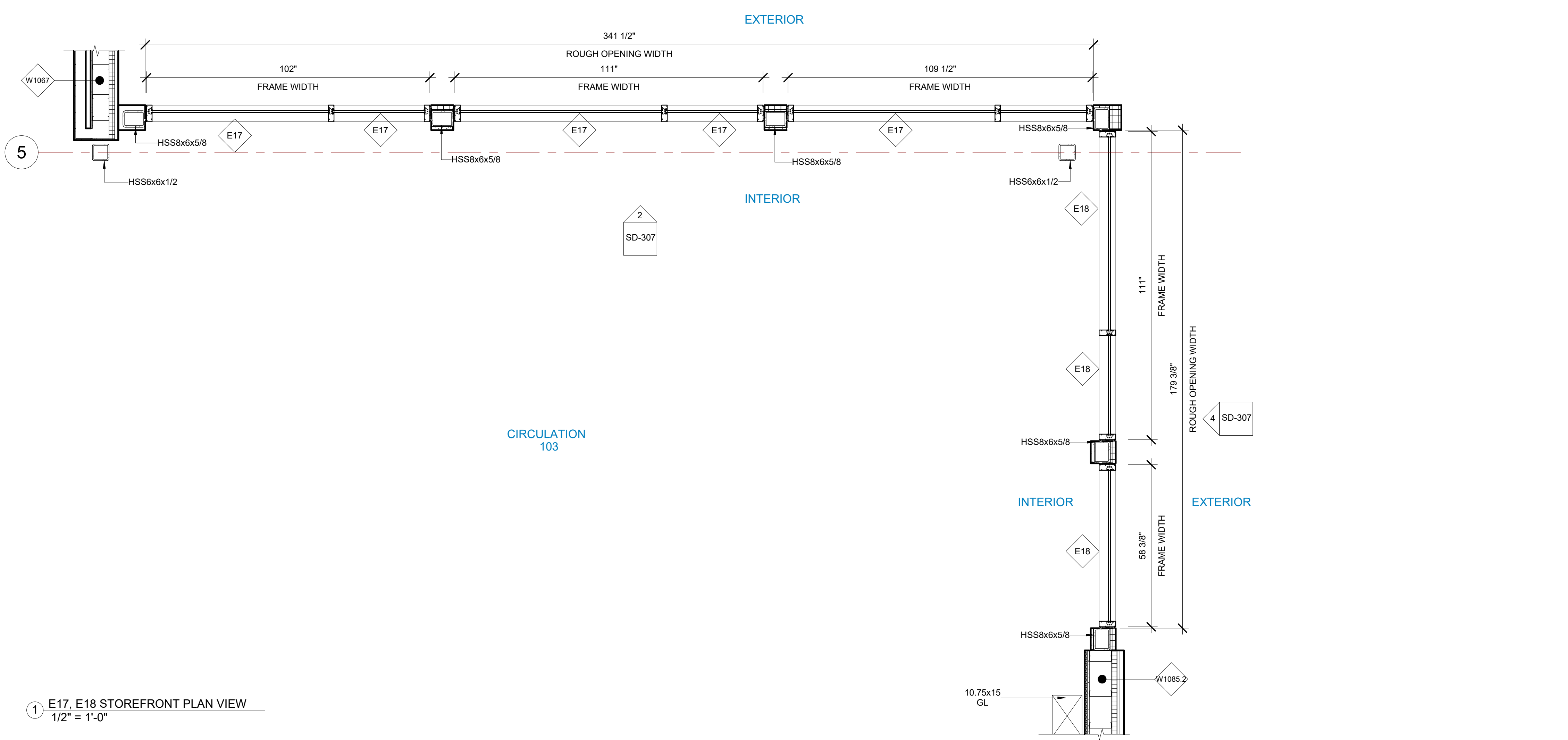
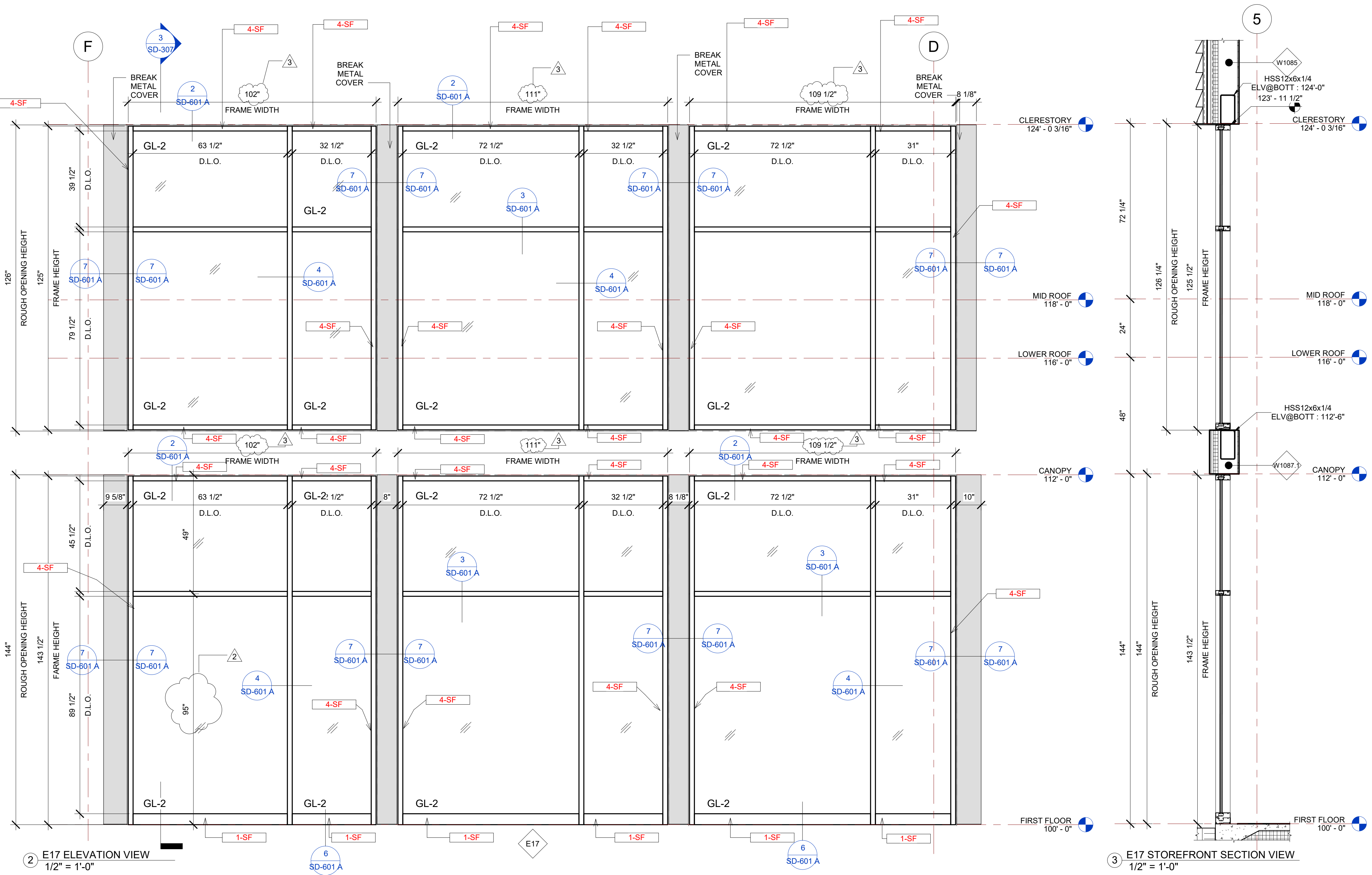
DATE 08-26-2022

Drawn by AC/AG/AY/SS

Checked by AP

**SD-306**

SCALE- 3/4" = 1'-0"



### GLASS SPECIFICATIONS

GL-1	1/4" CLEAR (TEMPERED WHERE REQUIRED/INDICATED)
GL-2	1" OA, 1/4" CLEAR, SNX 51/23, 1/2" BLACK SPACER, 1/4" CLEAR (TEMPERED WHERE REQUIRED)
GL-3	1" OA, 1/4" CLEAR, SNX 51/23, 1/2" BLACK SPACER, 1/4" CLEAR SOLID BLACK FRIT (SX2439) #4 (TEMP WHERE REQUIRED)
GL-4	1" OA, 1/4" CLEAR, SNX 51/23, 1/2" BLACK SPACER, 9/16" .060 WHITE DIFFUSED LAMI/ ACID ETCH FRIT

### E17 STOREFRONT SCHEDULE

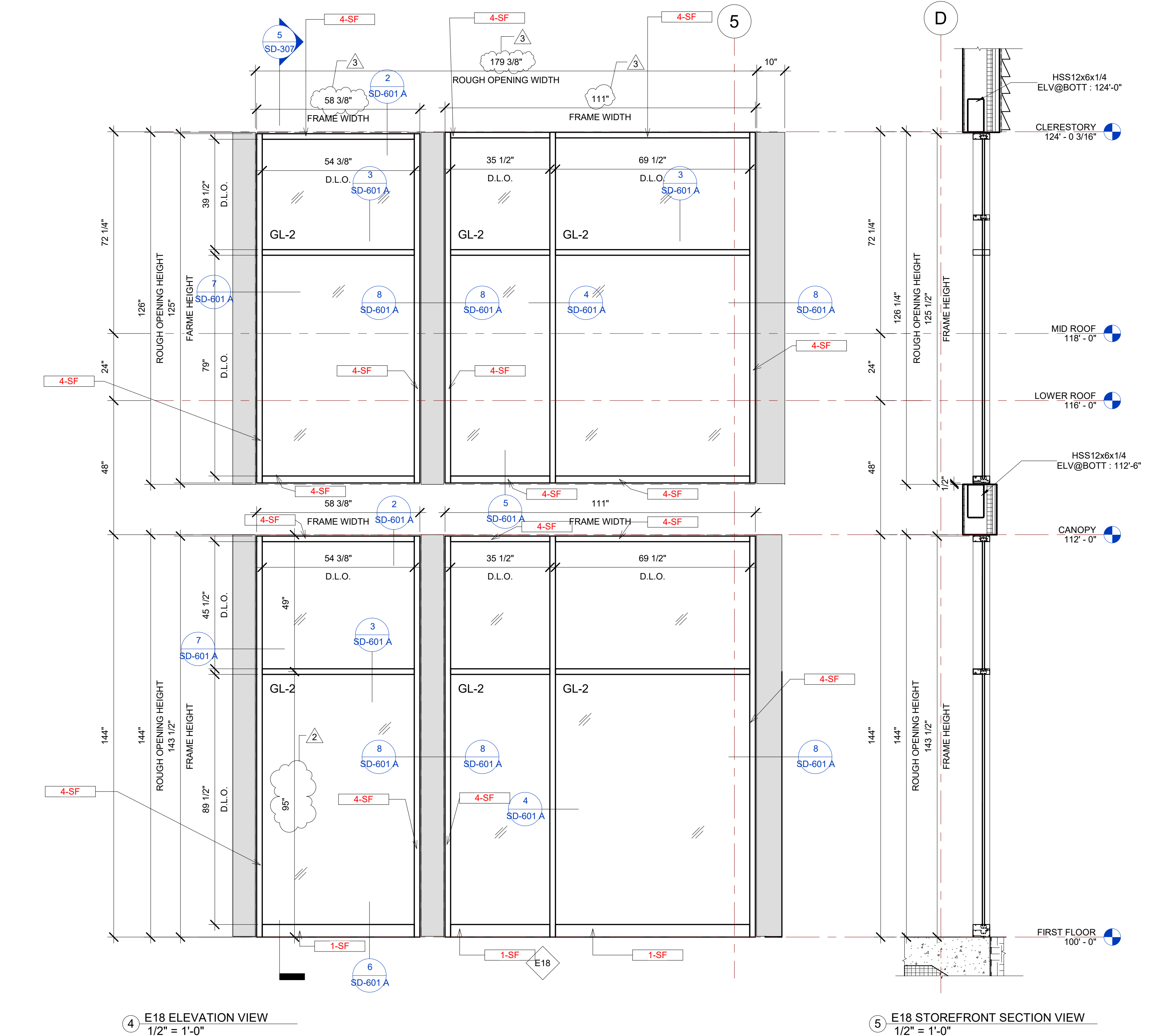
NAME	FRAME SIZE		FRAME FINISHES				FRAME SPECIFICATION	
	FRAME LENGTH	FRAME HEIGHT	MFR.	SERIES	PANEL MATERIAL	FINISHES	MULLION SIZE	GLAZING TYPE
FIRST FLOOR								
E17	8' - 6"	11' - 11 1/2"	OBE	6000 XT	ALUMINIUM	ANODIZED DARK BRONZE	2" x 6"	GL-2
E17	9' - 3"	11' - 11 1/2"	OBE	6000 XT	ALUMINIUM	ANODIZED DARK BRONZE	2" x 6"	GL-2
E17	9' - 1 1/2"	11' - 11 1/2"	OBE	6000 XT	ALUMINIUM	ANODIZED DARK BRONZE	2" x 6"	GL-2
CANOPY								
E17	8' - 6"	10' - 5"	OBE	6000 XT	ALUMINIUM	ANODIZED DARK BRONZE	2" x 6"	GL-2
E17	9' - 3"	10' - 5"	OBE	6000 XT	ALUMINIUM	ANODIZED DARK BRONZE	2" x 6"	GL-2
E17	9' - 1 1/2"	10' - 5"	OBE	6000 XT	ALUMINIUM	ANODIZED DARK BRONZE	2" x 6"	GL-2
Grand total: 6								

### E18 STOREFRONT SCHEDULE

NAME	FRAME SIZE		FRAME FINISHES				FRAME SPECIFICATION	
	FRAME LENGTH	FRAME HEIGHT	MFR.	SERIES	PANEL MATERIAL	FINISHES	MULLION SIZE	GLAZING TYPE
FIRST FLOOR								
E18	9' - 3"	11' - 11 1/2"	OBE	6000 XT	ALUMINIUM	ANODIZED DARK BRONZE	2" x 6"	GL-2
E18	4' - 10 3/8"	11' - 11 1/2"	OBE	6000 XT	ALUMINIUM	ANODIZED DARK BRONZE	2" x 6"	GL-2
CANOPY								
E18	9' - 3"	10' - 5 1/2"	OBE	6000 XT	ALUMINIUM	ANODIZED DARK BRONZE	2" x 6"	GL-2
E18	4' - 10 3/8"	10' - 5"	OBE	6000 XT	ALUMINIUM	ANODIZED DARK BRONZE	2" x 6"	GL-2
Grand total: 4								

### IDAHO CONNECTION DETAILS

TAG	DESCRIPTION
1-SF	ANCHORAGE INTO CONCRETE =USE (2) 3/8" DIA. SIMPSON TITEN HD SCREW ANCHOR WITH 2-1/2" NOMINAL DEPTH, INSTALLATION PER ICC-ES ESR-2713
4-SF	EDGE MULLION ANCHORAGE INTO STRUCTURAL STEEL=USE (2) ITW BULDEX TEKS 12-24 TEKS/ 5 SCREW @EA SIDE OF MULLION WITH 3" MIN. SPACING, 1" MIN EDGE DISTANCE, 1/8" MIN. STEEL THICKNESS, INSTALLATION PER ICC-ES ESR-1976



BIM ARCHITECTS AND ENGINEERS  
**SIMSONA CORP.**  
 1451 Rockville Pike, Suite #250,  
 Rockville, MD 20850  
 Phone : 301-408-8553  
 Email: raj@simsona.com  
 www.simsonacadd.com

PROJECT NAME  
**IDAHO OUTDOOR FIELDHOUSE**  
 3211 E. BARBER VALLEY Dr. BOISE,  
 IDAHO 83716

Revision Schedule		
Revision Number	Revision Description	Revision Date
2	REVISED CONCERNING SIMSONA SUBMITTAL #02	06-06-2022
3	REVISED CONCERNING SUBMITTAL#03 COMMENTS	07-12-2022
8	DESIGN CALCULATION DETAILS ADDED	08-26-2022

### E17, E18 STOREFRONT DETAILS

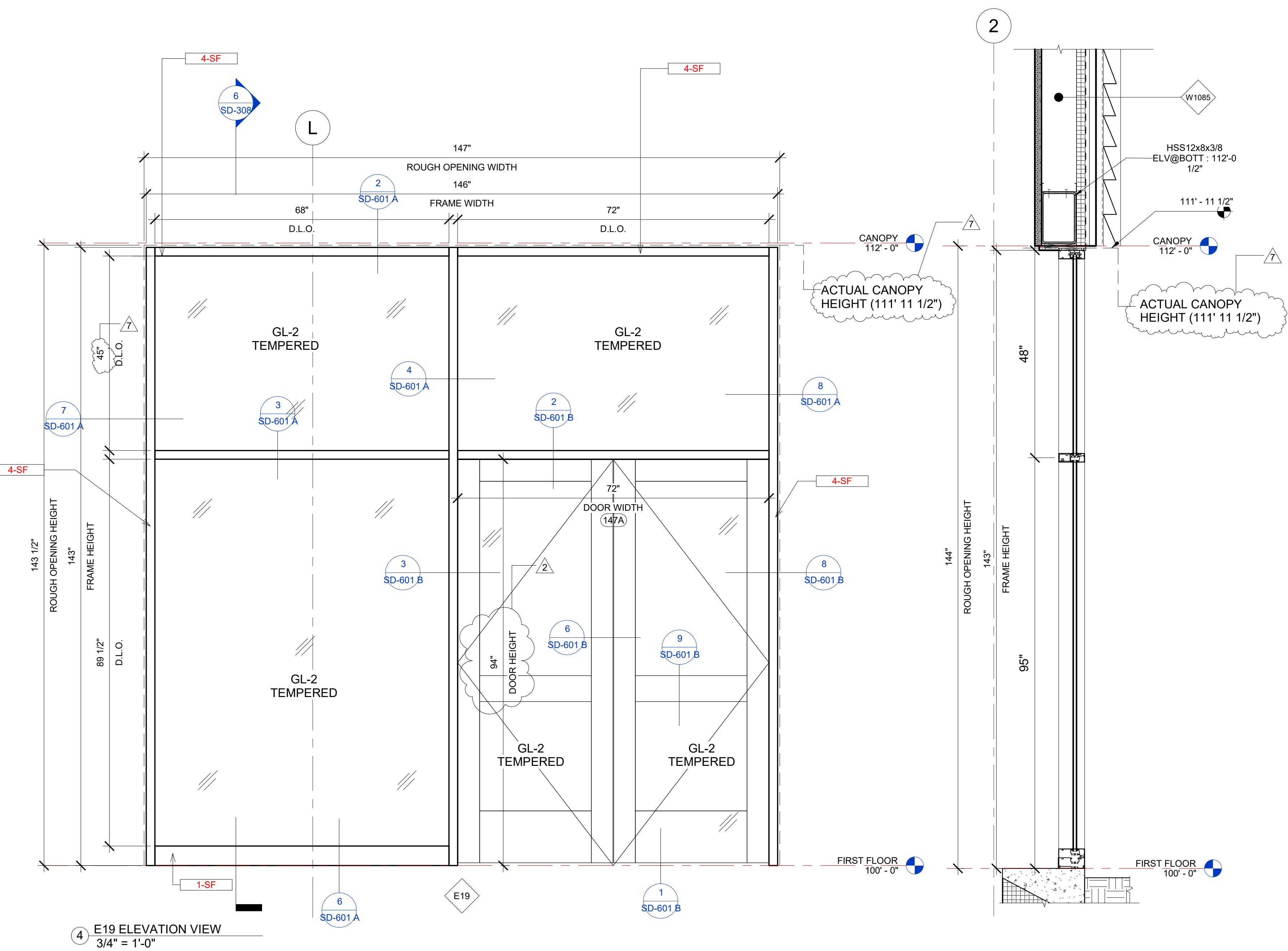
PROJECT NUMBER	SIM-37	<b>SD-307</b>
DATE	08-26-2022	
Drawn by	AC/AG/AY/SS	
Checked by	AP	
		SCALE-As indicated

E19 STOREFRONT SCHEDULE

NAME	FRAME SIZE		FRAME FINISHES				FRAME SPECIFICATION		DOOR SPECIFICATIONS		
	FRAME LENGTH	FRAME HEIGHT	MFR.	SERIES	PANEL MATERIAL	FINISHES	MULLION SIZE	GLAZING TYPE	DOOR TAG	DOOR SIZE	HARDWARE GROUP
E19	12' - 2"	11' - 11"	OBE	6000 XT	ALUMINIUM	ANODIZED DARK BRONZE	2" x 6"	GL-2	147A	6'-0"x7'-10"	#9
Grand total: 1											

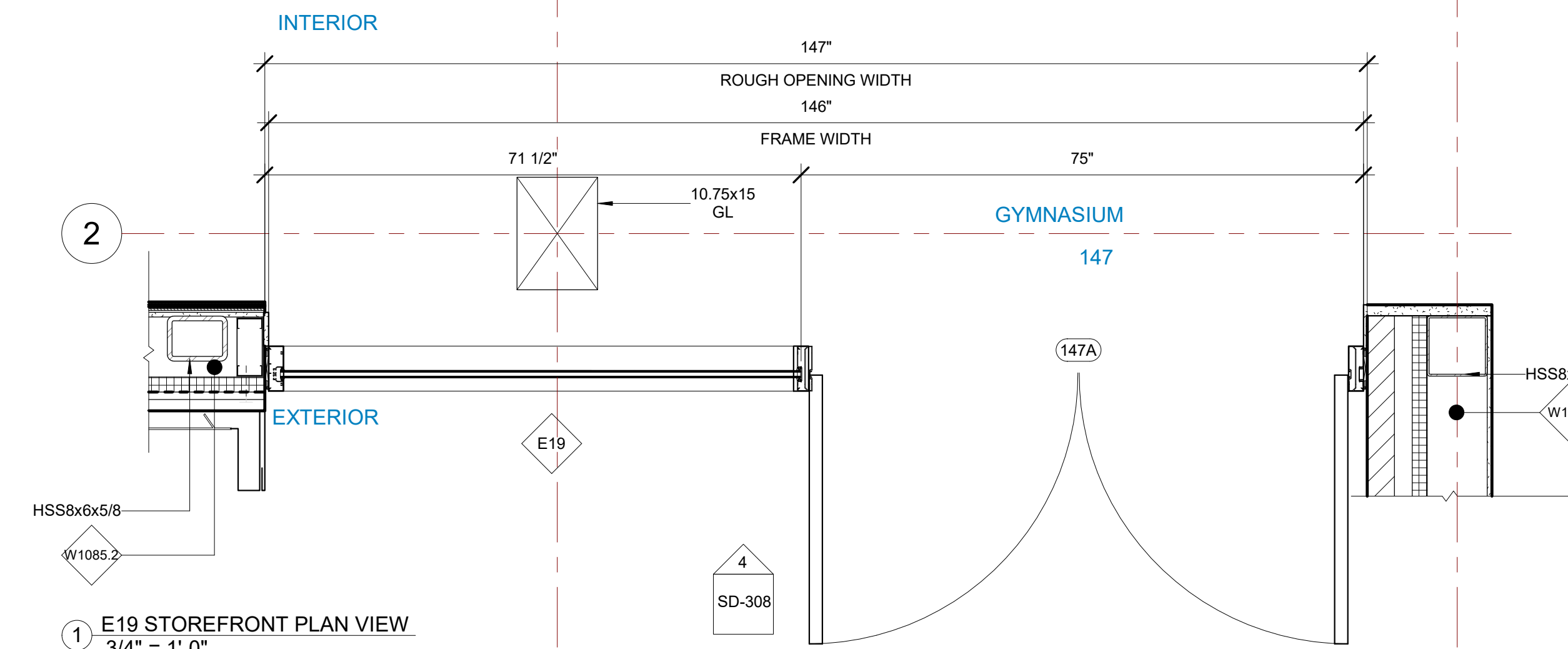
IDAHO CONNECTION DETAILS

TAG	DESCRIPTION
1-SF	ANCHORAGE INTO CONCRETE =USE (2) 3/8" DIA. SIMPSON TITEN HD SCREW ANCHOR WITH 2-1/2" NOMINAL DEPTH, INSTALLATION PER ICC-ES ESR-2713
4-SF	EDGE MULLION ANCHORAGE INTO STRUCTURAL STEEL=USE (2) ITW BUILDEX TEKS 12-24 TEKS/ 5 SCREW @EA SIDE OF MULLION WITH 3" MIN. SPACING, 1" MIN EDGE DISTANCE, 1/8" MIN. STEEL THICKNESS, INSTALLATION PER ICC-ES ESR-1976



4 E19 ELEVATION VIEW  
3/4" = 1'-0"

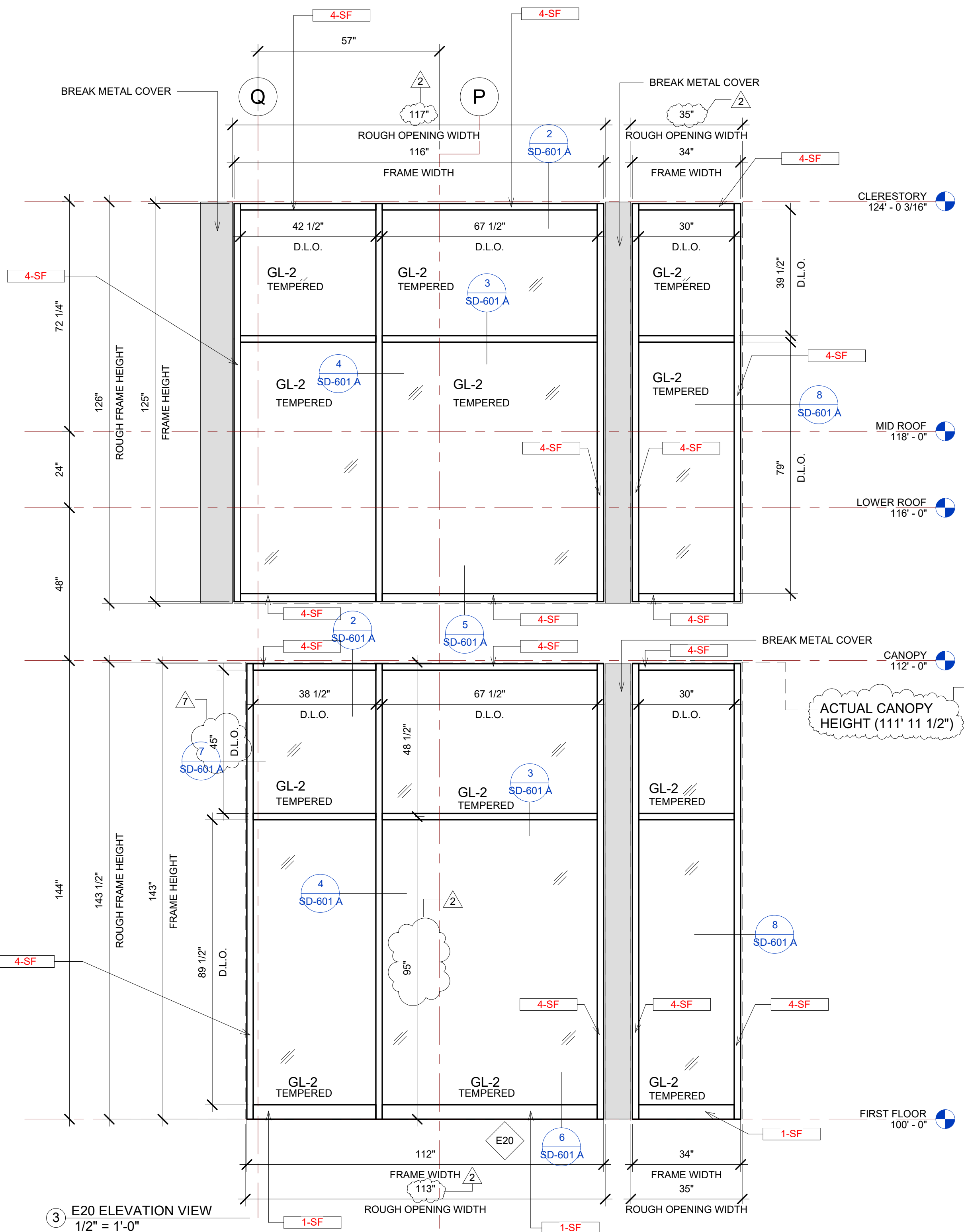
6 E19 STOREFRONT SECTION VIEW  
3/4" = 1'-0"



1 E19 STOREFRONT PLAN VIEW  
3/4" = 1'-0"

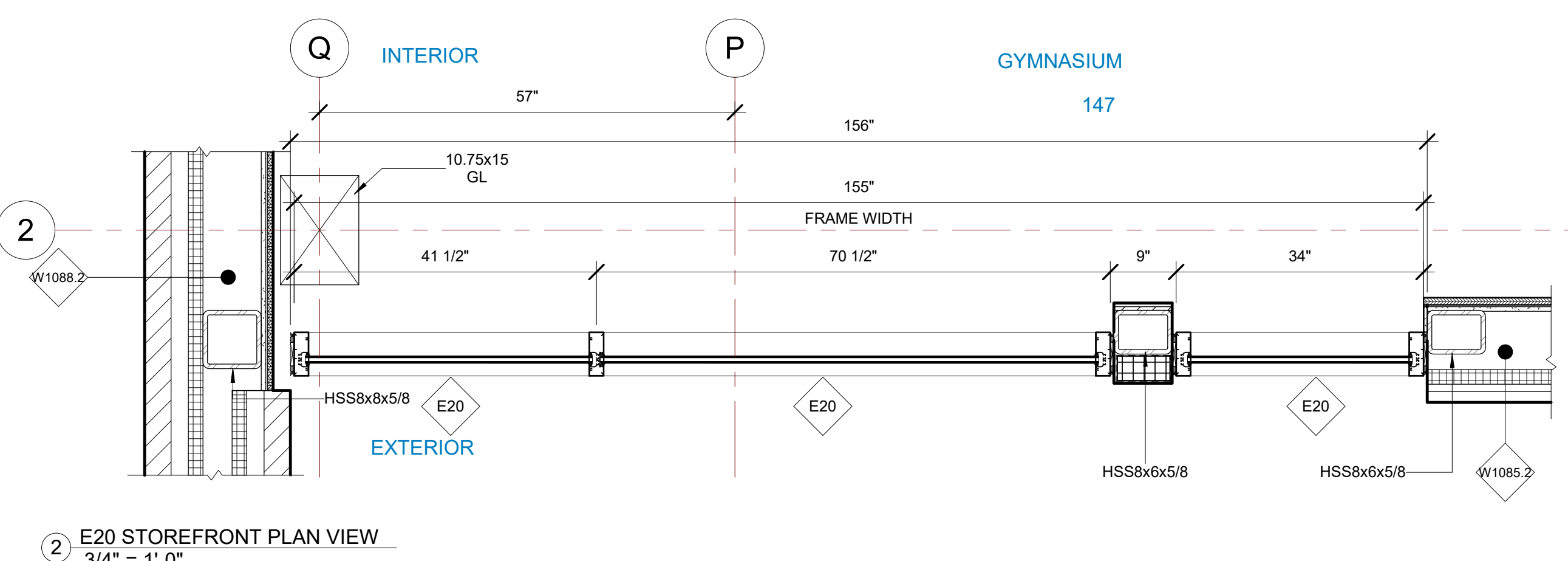
E20 STOREFRONT SCHEDULE

NAME	FRAME SIZE		FRAME FINISHES				FRAME SPECIFICATION	
	FRAME LENGTH	FRAME HEIGHT	MFR.	SERIES	PANEL MATERIAL	FINISHES	MULLION SIZE	GLAZING TYPE
FIRST FLOOR								
E20	9' - 4"	11' - 11"	OBE	6000 XT	ALUMINIUM	ANODIZED DARK BRONZE	2" x 6"	GL-2
E20	2' - 10"	11' - 11"	OBE	6000 XT	ALUMINIUM	ANODIZED DARK BRONZE	2" x 6"	GL-2
CANOPY								
E20	9' - 8"	10' - 5"	OBE	6000 XT	ALUMINIUM	ANODIZED DARK BRONZE	2" x 6"	GL-2
E20	2' - 10"	10' - 5"	OBE	6000 XT	ALUMINIUM	ANODIZED DARK BRONZE	2" x 6"	GL-2
Grand total: 4								



3 E20 ELEVATION VIEW  
1/2" = 1'-0"

5 E20 STOREFRONT SECTION VIEW  
1/2" = 1'-0"



2 E20 STOREFRONT PLAN VIEW  
3/4" = 1'-0"

GLASS SPECIFICATIONS

GL-1	1/4" CLEAR (TEMPERED WHERE REQUIRED/INDICATED)
GL-2	1" OA, 1/4" CLEAR, SNX 51/23, 1/2" BLACK SPACER, 1/4" CLEAR (TEMPERED WHERE REQUIRED)
GL-3	1" OA, 1/4" CLEAR, SNX 51/23, 1/2" BLACK SPACER, 1/4" CLEAR SOLID BLACK FRIT (SX2439) #4 (TEMP WHERE REQUIRED)
GL-4	1" OA, 1/4" CLEAR, SNX 51/23, 1/2" BLACK SPACER, 9/16" .060 WHITE DIFFUSED LAMI/ ACID ETCH FRIT

E19, E20 STOREFRONT DETAILS

PROJECT NUMBER	SIM-37	SD-308
DATE	08-26-2022	
Drawn by	AC/AG/AY/SS	
Checked by	AP	
		SCALE-As indicated

PROJECT NAME

IDAHO OUTDOOR FIELDHOUSE

3211 E. BARBER VALLEY Dr. BOISE, IDAHO 83716

Revision Schedule

Revision Number	Revision Description	Revision Date
2	REVISED CONCERNING SIMSONA SUBMITTAL #02	06-06-2022
7	REVISED CONCERNING SIMSONA SUBMITTAL #07	08-24-2022
8	DESIGN CALCULATION DETAILS ADDED	08-26-2022

BIM ARCHITECTS AND ENGINEERS

**SIMSONA CORP.**

1451 Rockville Pike, Suite #250,  
Rockville, MD 20850

Phone : 301-408-8553

Email: raj@simsona.com

www.simsonacadd.com

E25 STOREFRONT SCHEDULE

NAME	FRAME SIZE		FRAME FINISHES				FRAME SPECIFICATION	
	FRAME LENGTH	FRAME HEIGHT	MFR.	SERIES	PANEL MATERIAL	FINISHES	MULLION SIZE	GLAZING TYPE
E25	9' - 10 15/16"	11' - 11 1/2"	OBE	6000 XT	ALUMINIUM	ANODIZED DARK BRONZE	2" x 6"	GL-2
Grand total: 1								

IDAHO CONNECTION DETAILS

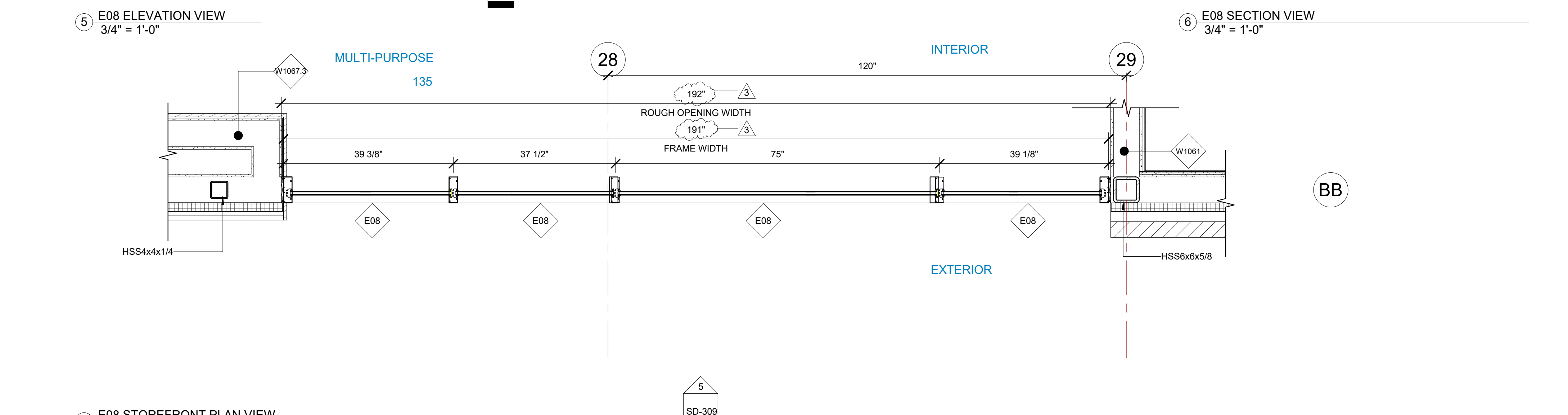
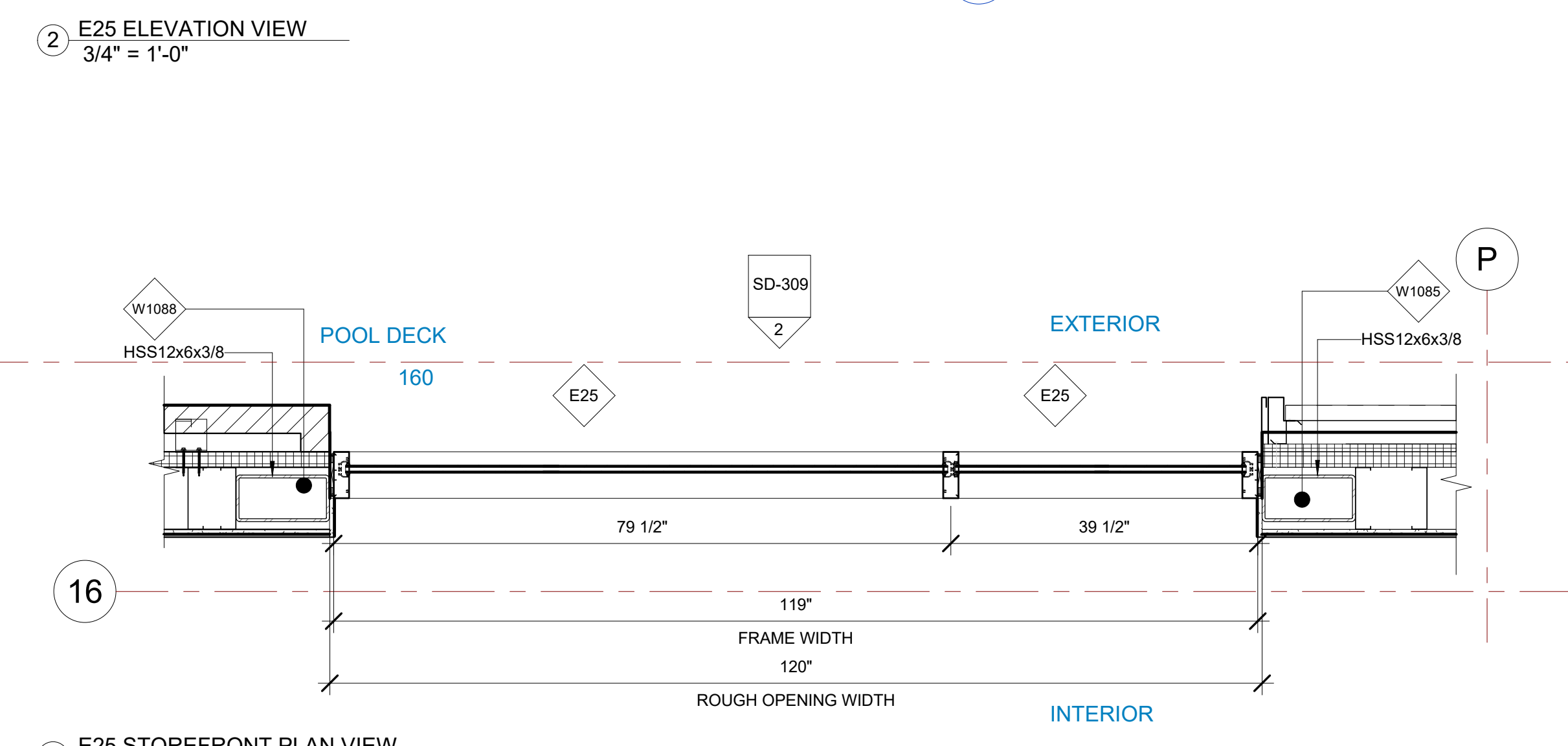
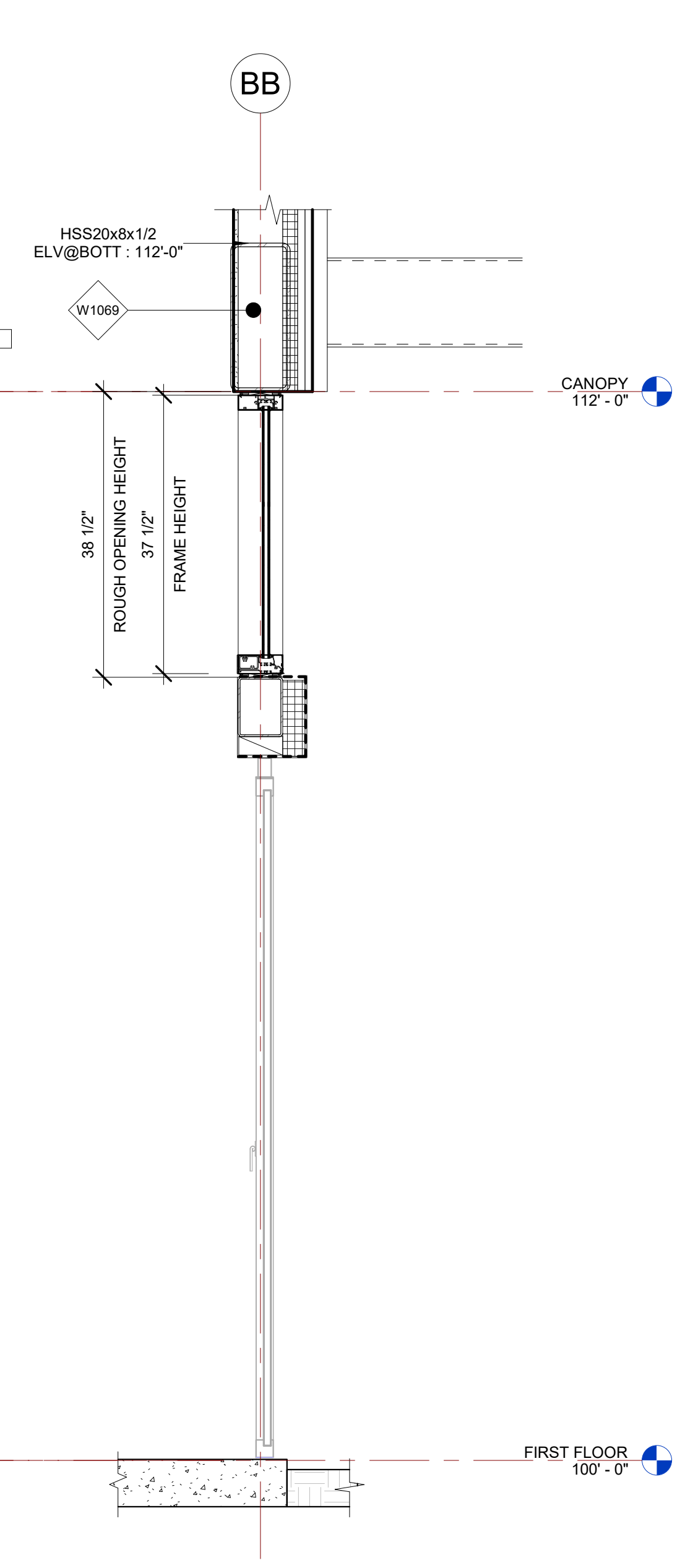
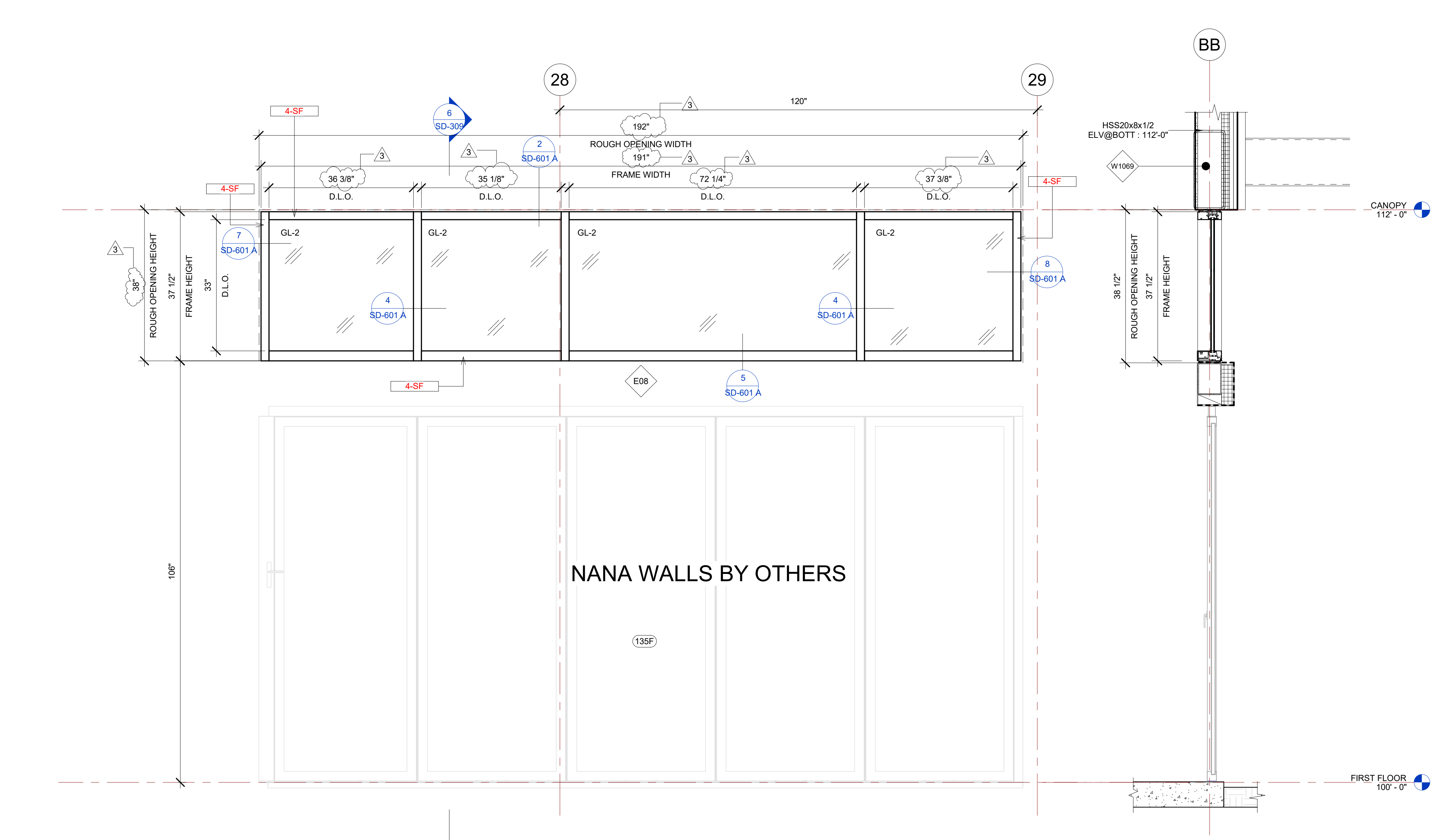
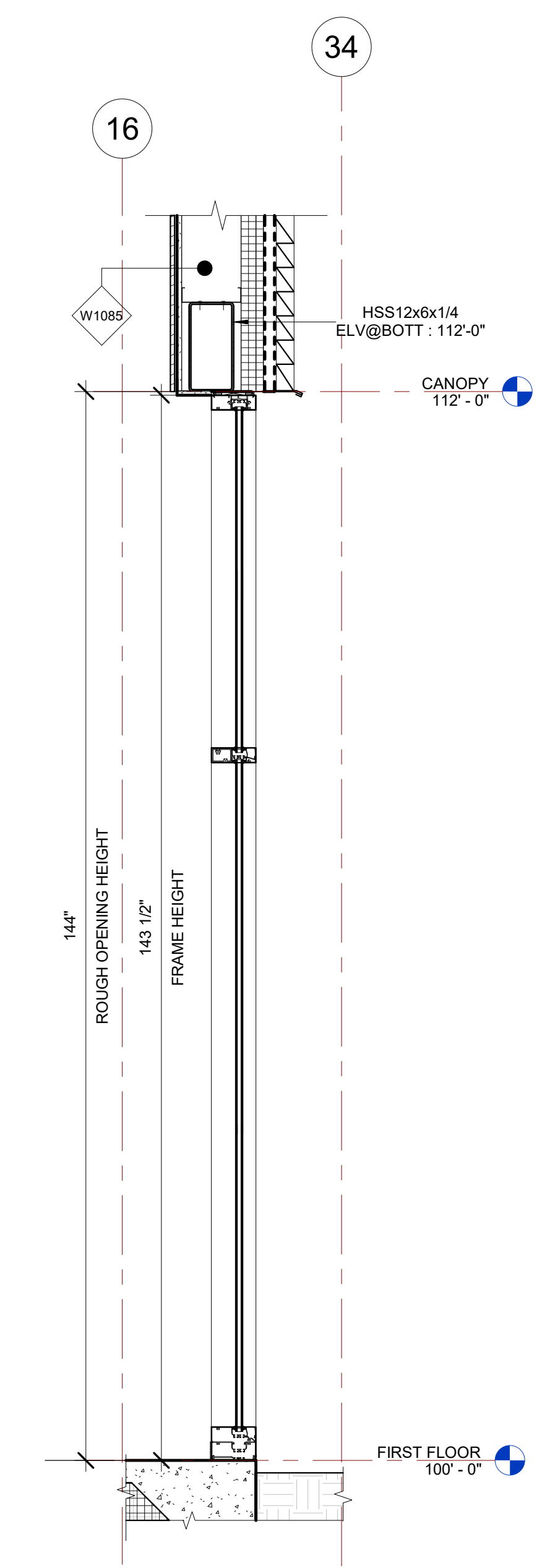
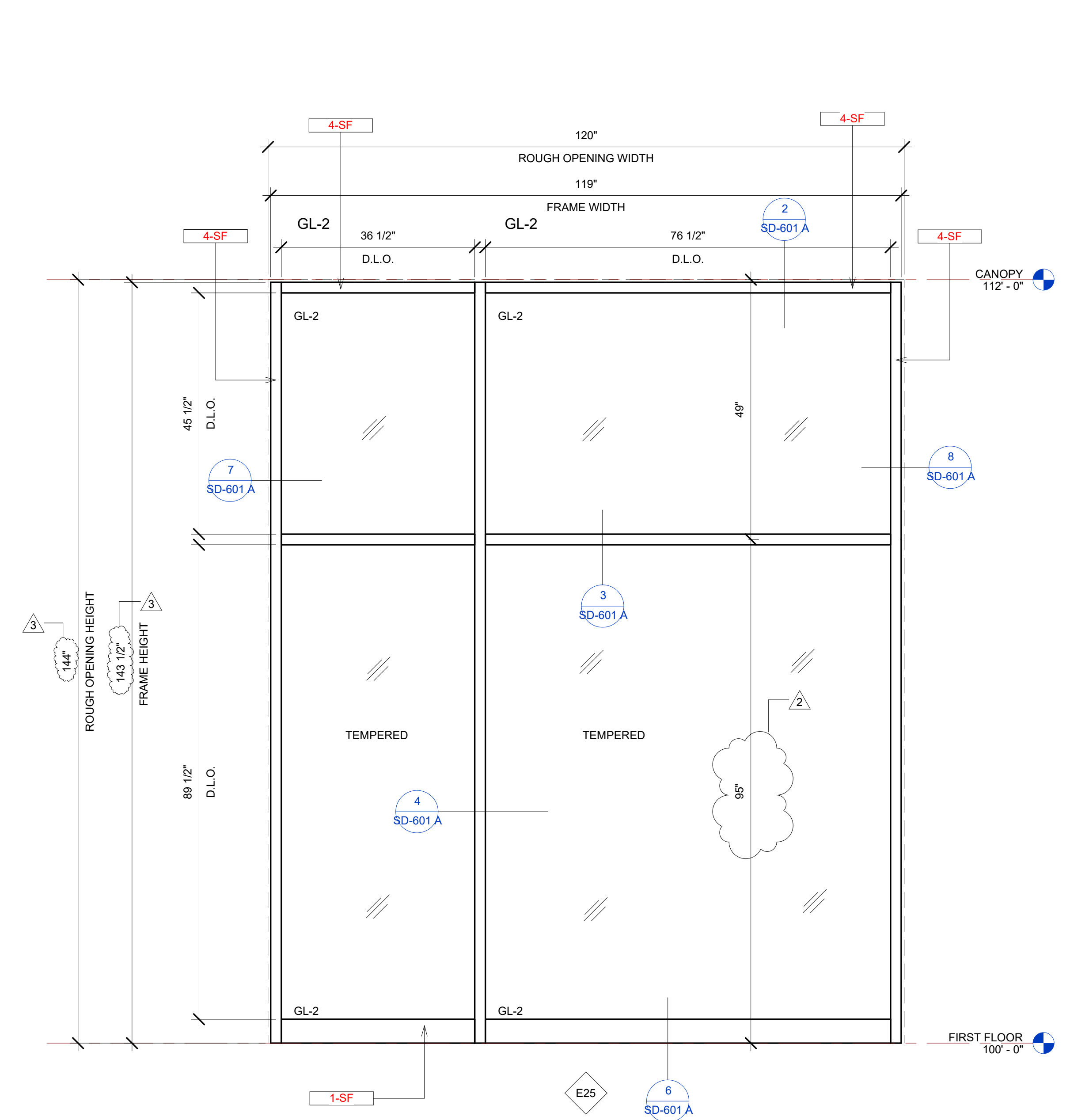
TAG	DESCRIPTION
1-SF	ANCHORAGE INTO CONCRETE =USE (2) 3/8" DIA. SIMPSON TITEN HD SCREW ANCHOR WITH 2-1/2" NOMINAL DEPTH, INSTALLATION PER ICC-ES ESR-2713
4-SF	EDGE MULLION ANCHORAGE INTO STRUCTURAL STEEL=USE (2) ITW BUILDEX TEKS 12-24 TEKS/ 5 SCREW @EA SIDE OF MULLION WITH 3" MIN. SPACING, 1" MIN EDGE DISTANCE, 1/8" MIN. STEEL THICKNESS, INSTALLATION PER ICC-ES ESR-1976

E08 STOREFRONT SCHEDULE

NAME	FRAME SIZE		FRAME FINISHES				FRAME SPECIFICATION	
	FRAME LENGTH	FRAME HEIGHT	MFR.	SERIES	PANEL MATERIAL	FINISHES	MULLION SIZE	GLAZING TYPE
E08	15' - 11"	3' - 1 1/2"	OBE	6000 XT	ALUMINIUM	ANODIZED DARK BRONZE	2" x 6"	GL-2
Grand total: 1								

GLASS SPECIFICATIONS

GL-1	1/4" CLEAR (TEMPERED WHERE REQUIRED/INDICATED)
GL-2	1" OA, 1/4" CLEAR, SNX 51/23, 1/2" BLACK SPACER, 1/4" CLEAR (TEMPERED WHERE REQUIRED)
GL-3	1" OA, 1/4" CLEAR, SNX 51/23, 1/2" BLACK SPACER, 1/4" CLEAR SOLID BLACK FRIT (SX2439) #4 (TEMP WHERE REQUIRED)
GL-4	1" OA, 1/4" CLEAR, SNX 51/23, 1/2" BLACK SPACER, 9/16" .060 WHITE DIFFUSED LAM/ ACID ETCH FRIT



BIM ARCHITECTS AND ENGINEERS  
**SIMSONA CORP.**  
 1451 Rockville Pike, Suite #250,  
 Rockville, MD 20850  
 Phone : 301-408-8553  
 Email: raj@simsona.com  
 www.simsonacadd.com

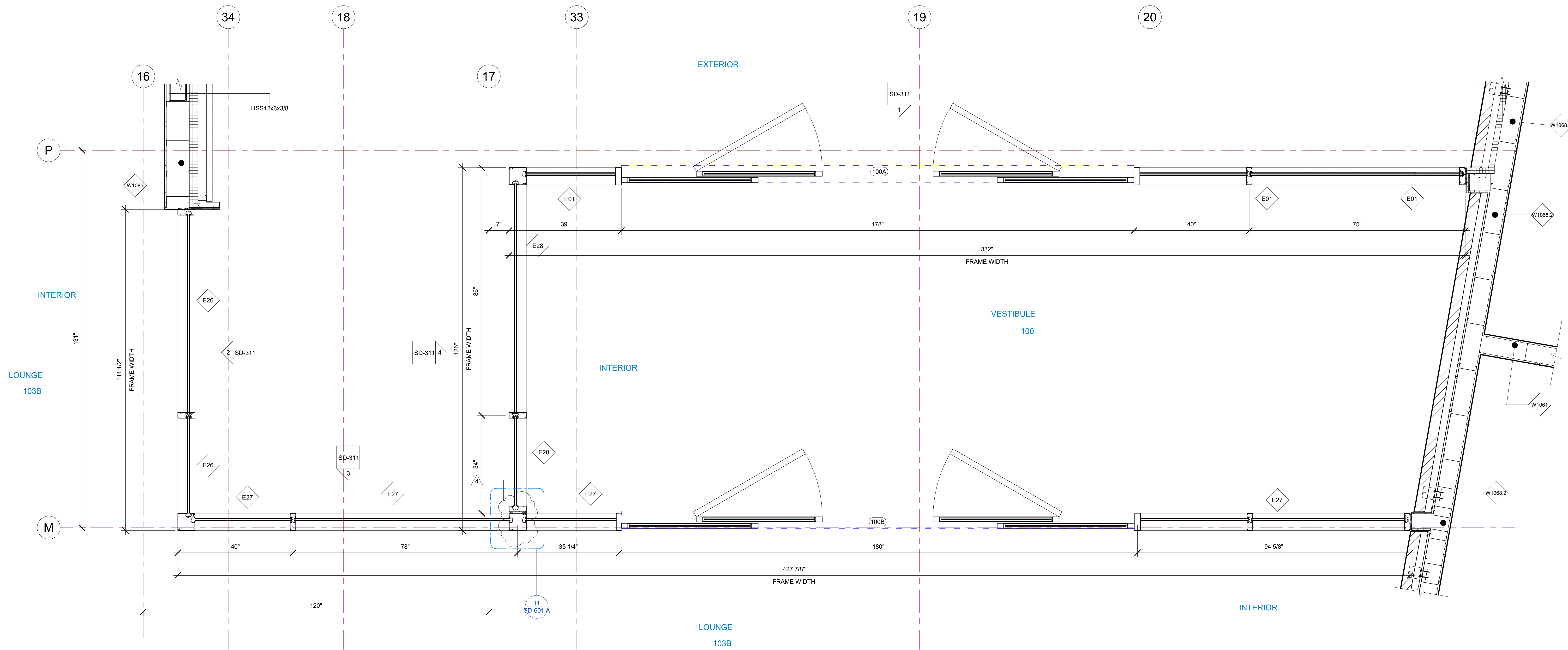
PROJECT NAME  
**IDAHO OUTDOOR FIELDHOUSE**  
 3211 E. BARBER VALLEY Dr. BOISE,  
 IDAHO 83716

Revision Schedule		
Revision Number	Revision Description	Revision Date
2	REVISED CONCERNING SIMSONA SUBMITTAL #02	06-06-2022
3	REVISED CONCERNING SUBMITTAL#03 COMMENTS	07-12-2022
8	DESIGN CALCULATION DETAILS ADDED	08-26-2022

**E25, E08 STOREFRONT DETAILS**

PROJECT NUMBER	SIM-37	<b>SD-309</b>
DATE	08-26-2022	
Drawn by	AC/AG/AY/SS	
Checked by	AP	

SCALE- 3/4" = 1'-0"



E01, E26, E27 & E28 STOREFRONT PLAN  
 VIEW  
 1  
 3/4" = 1'-0"

Revision Schedule		
Revision Number	Revision Description	Revision Date
4	REVISED CONCERNING SUBMITTAL#05 COMMENTS	07-27-2022
8	DESIGN CALCULATION DETAILS ADDED	08-26-2022

E01 STOREFRONT SCHEDULE										
NAME	FRAME SIZE		FRAME FINISHES			FRAME SPECIFICATION		DOOR SIZE	DOOR TAG	
	FRAME LENGTH	FRAME HEIGHT	MFR.	SERIES	PANEL MATERIAL	FINISHES	MULLION SIZE			GLAZING TYPE
E01	27' - 5"	11' - 11 1/2"	OBE	6000 XT	ALUMINIUM	ANODIZED DARK BRONZE	2" x 6"	GL-2	177" x 93-5/8"	100A
Grand total: 1										

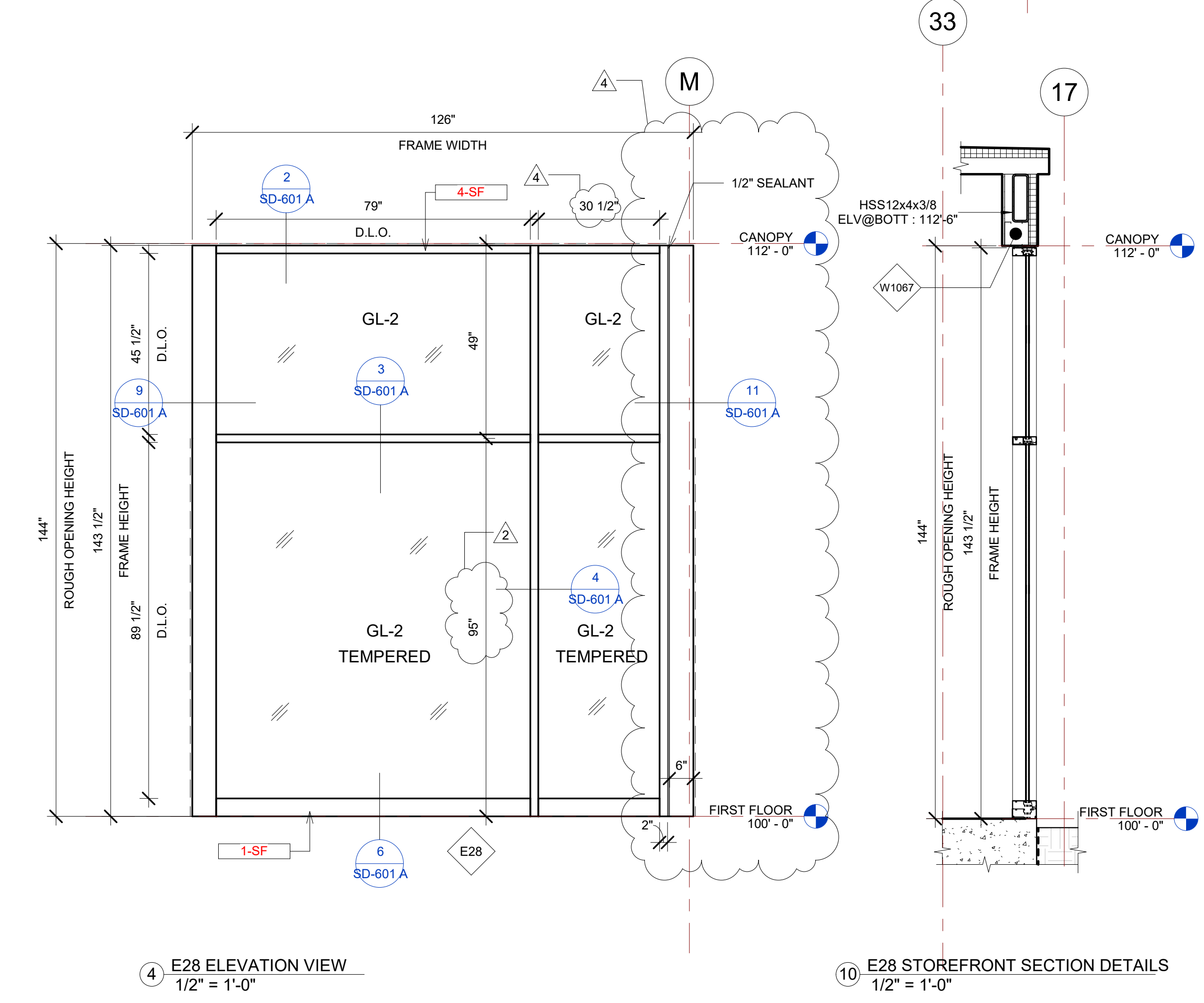
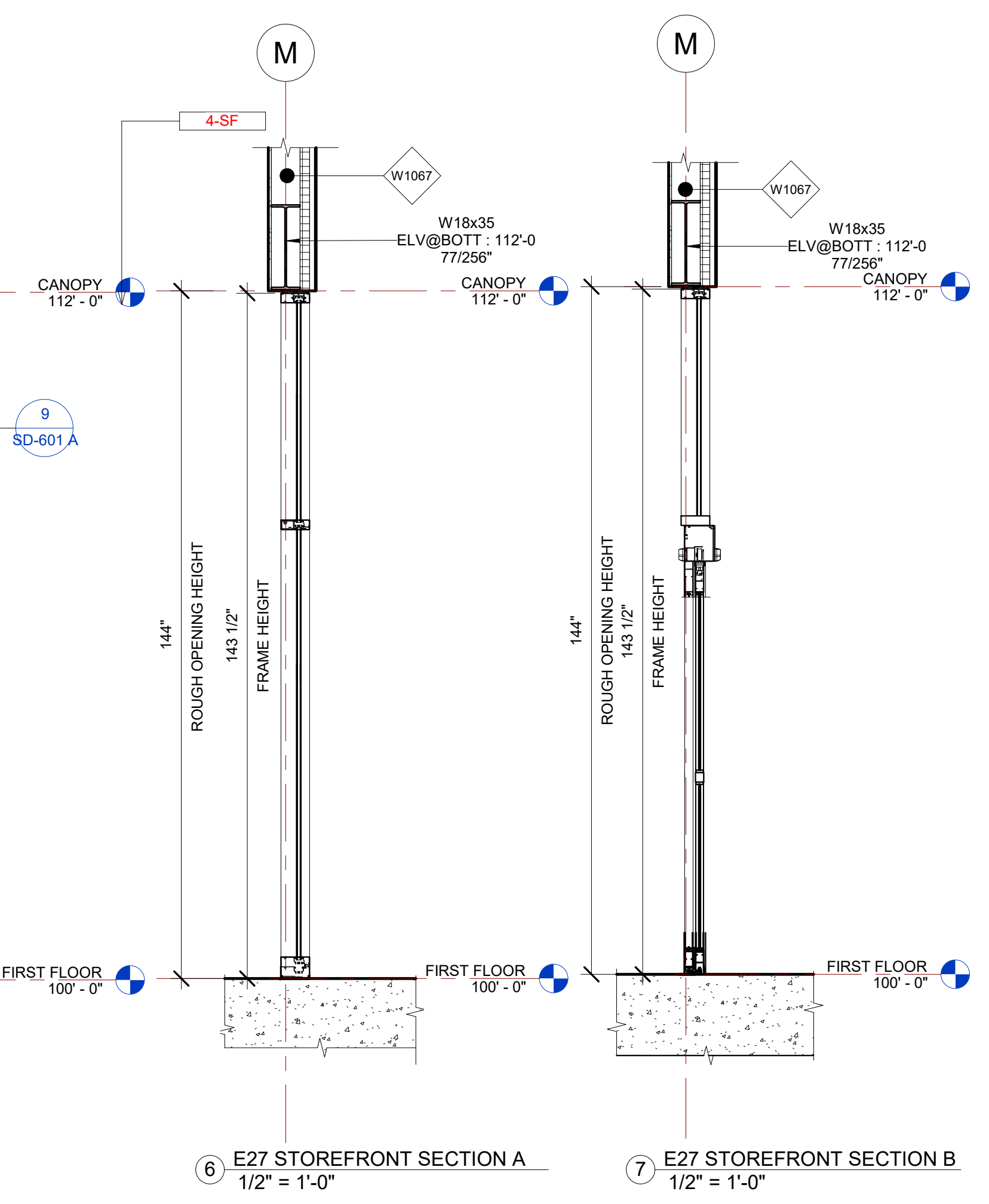
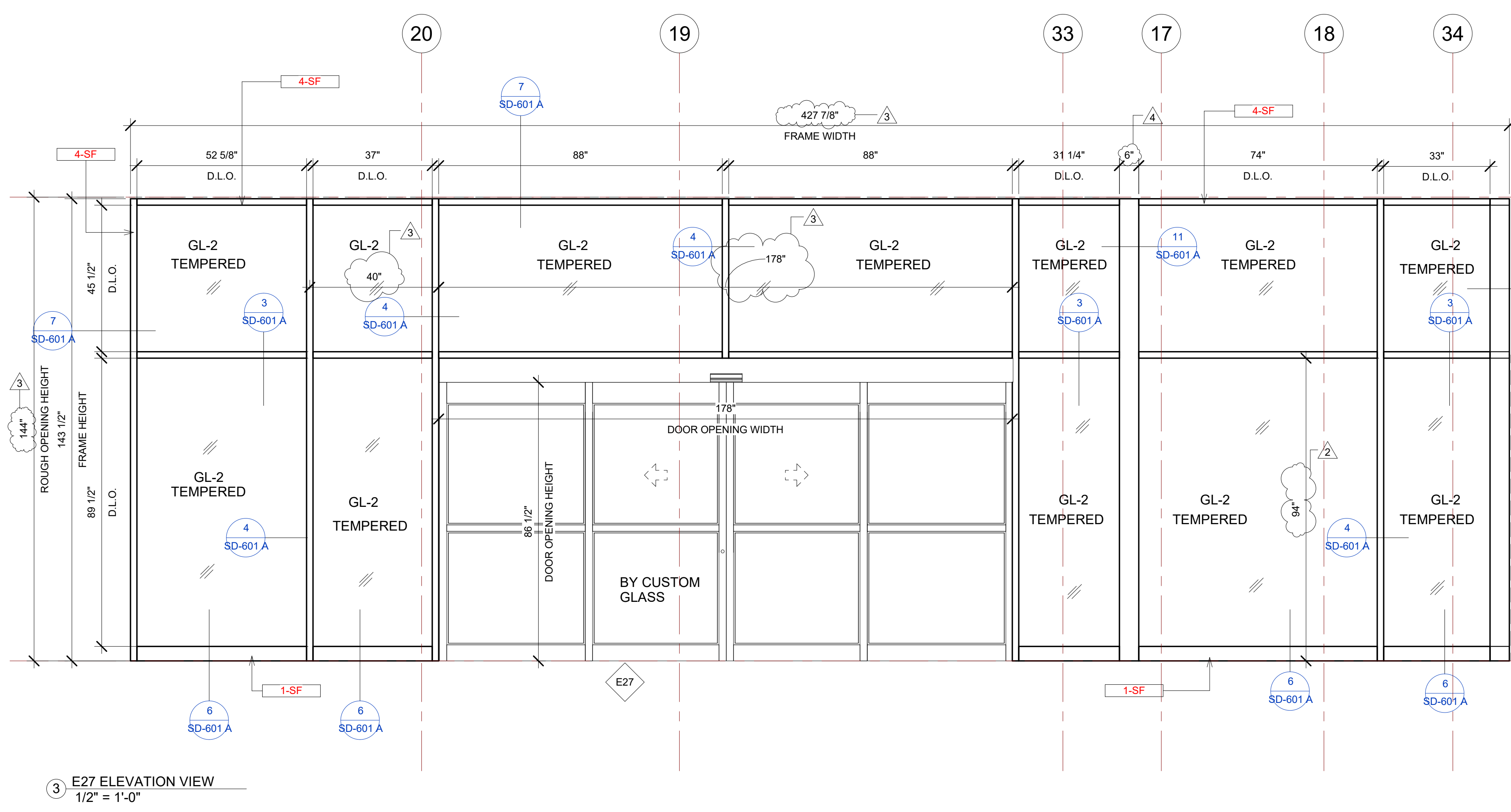
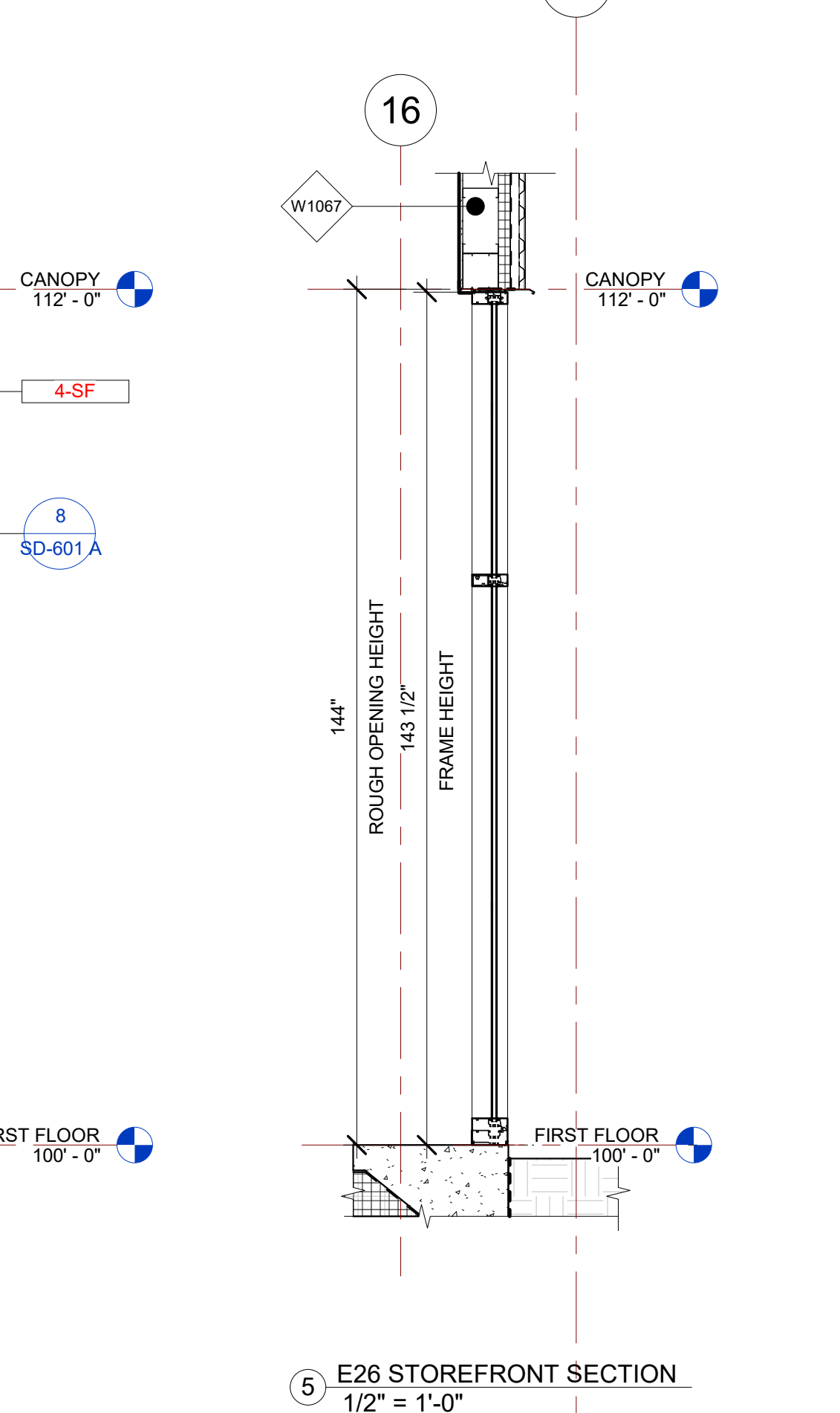
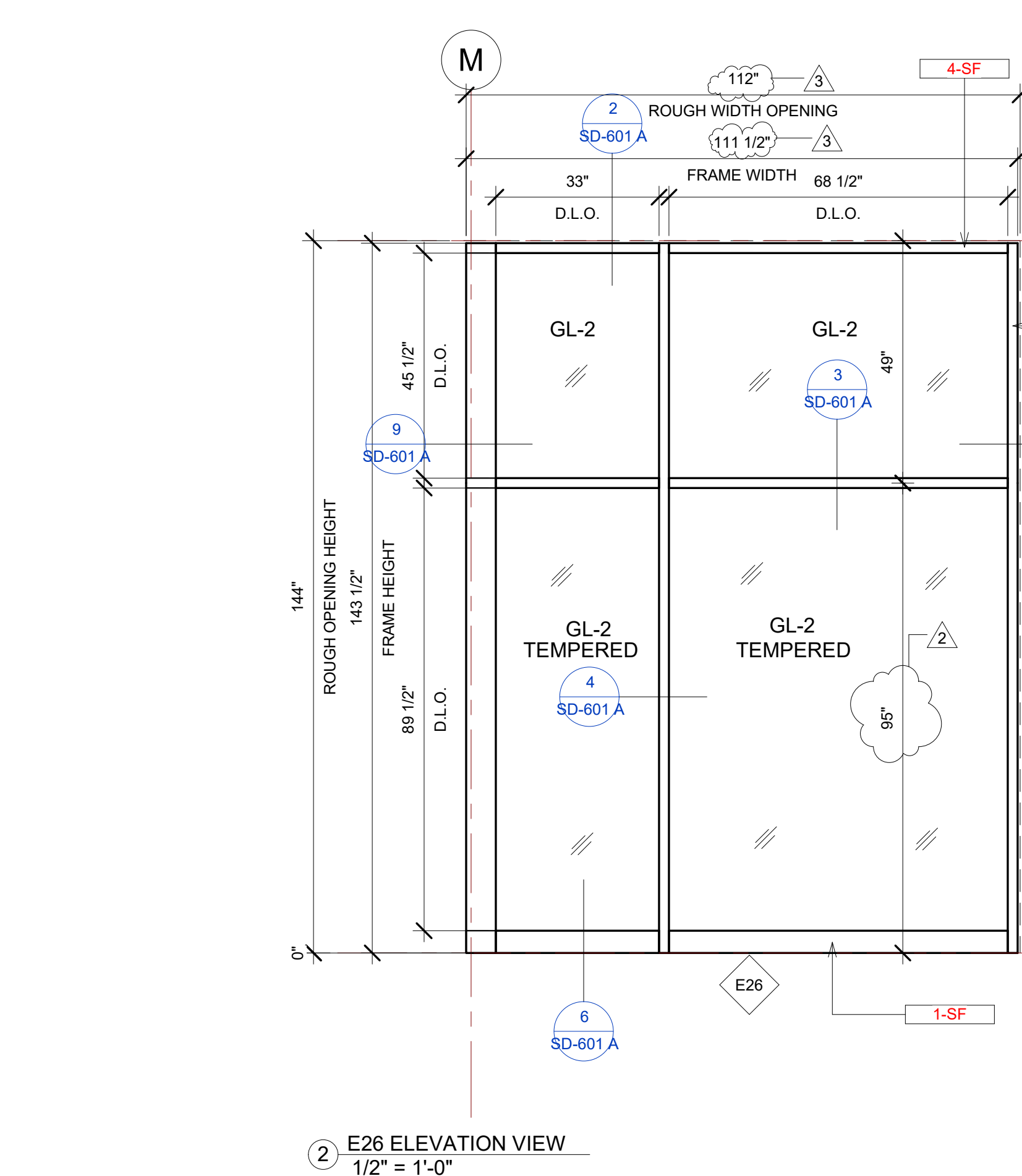
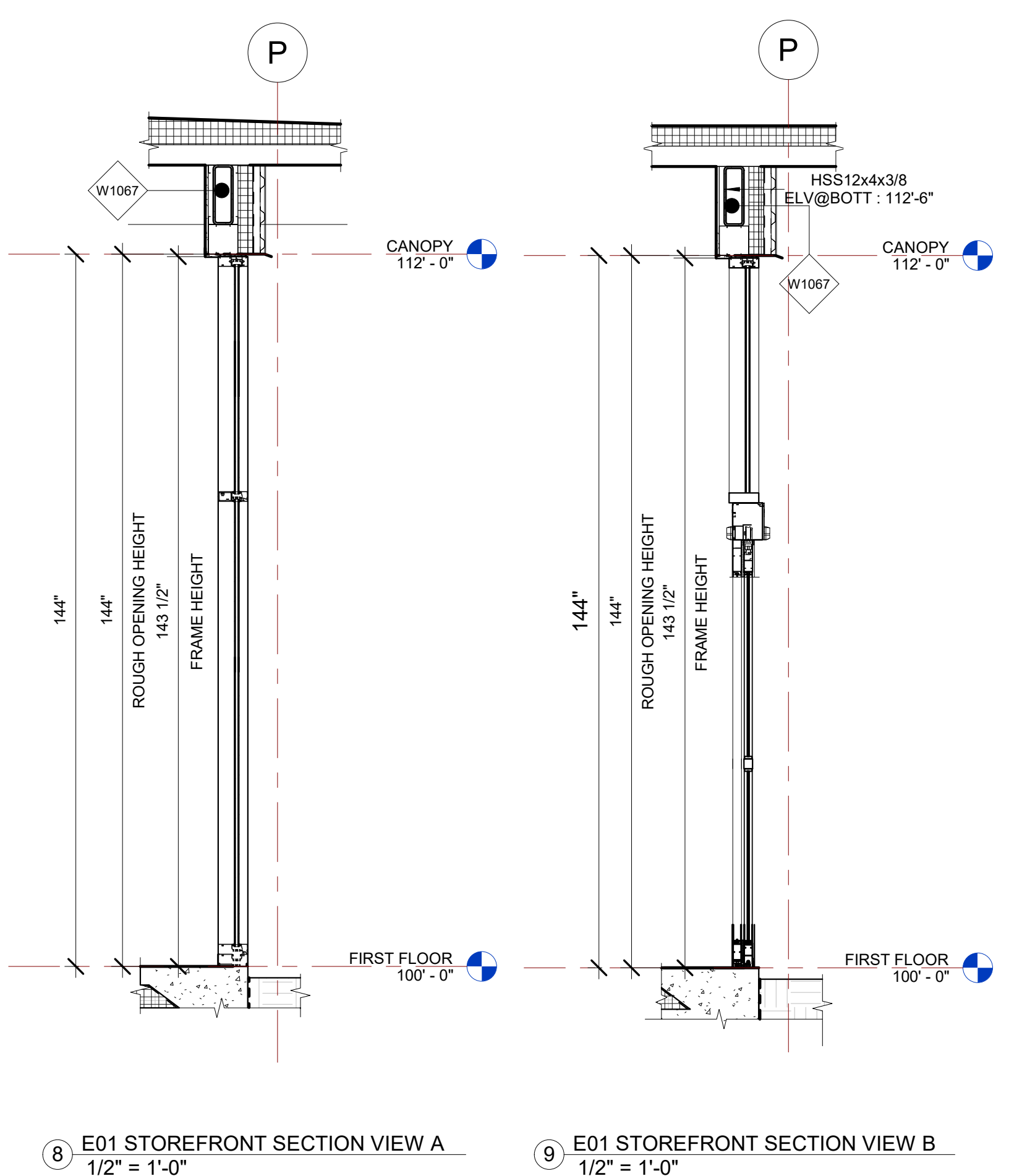
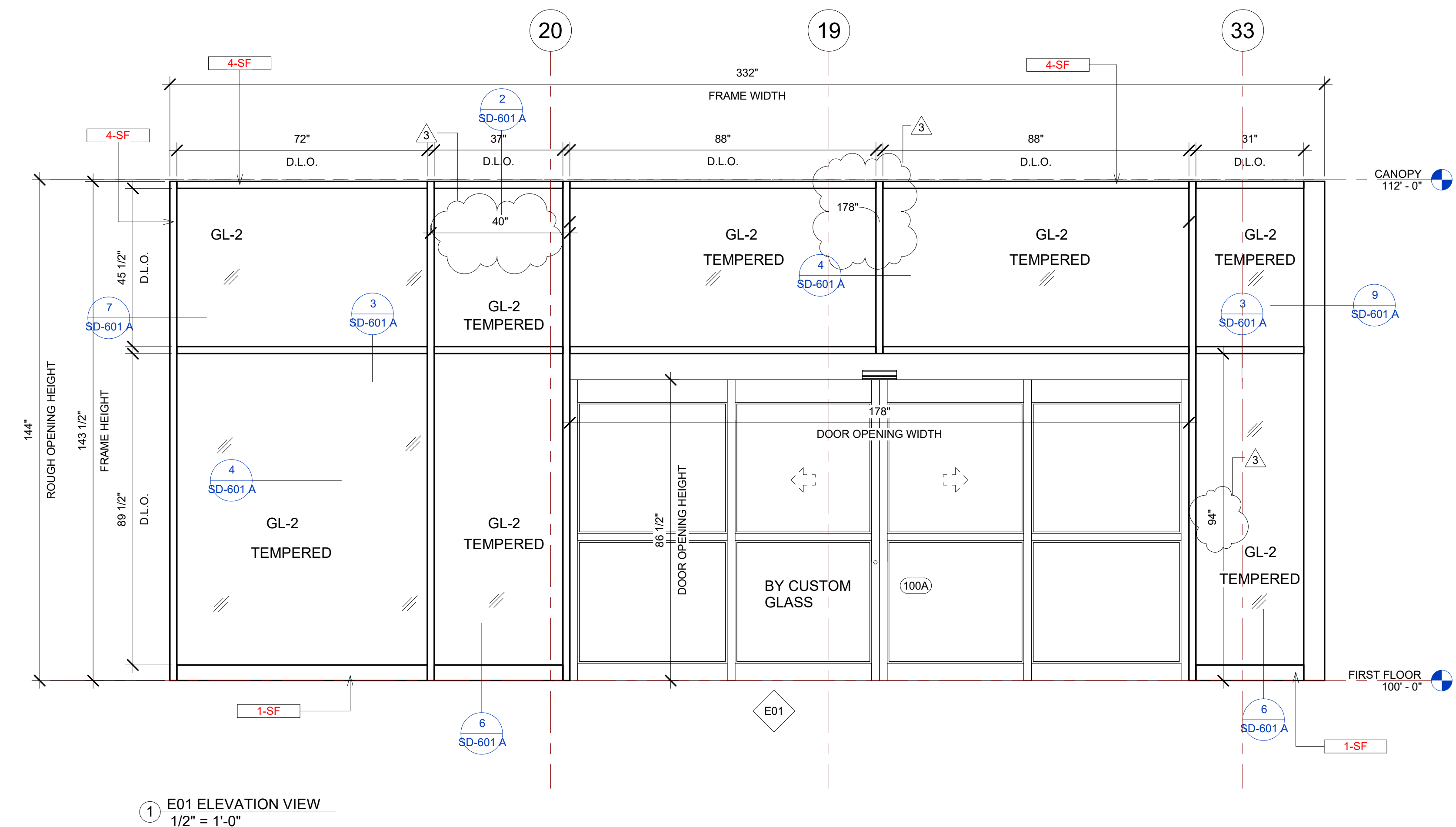
E27 STOREFRONT SCHEDULE									
NAME	FRAME SIZE		FRAME FINISHES			FRAME SPECIFICATION		DOOR SIZE	DOOR TAG
	FRAME LENGTH	FRAME HEIGHT	MFR.	SERIES	PANEL MATERIAL	FINISHES	MULLION SIZE		
E27	9' - 5 3/4"	11' - 11 1/2"	OBE	6000 XT	ALUMINIUM	ANODIZED DARK BRONZE	2" x 6"	GL-2	
E27	25' - 6 7/8"	11' - 11 1/2"	OBE	6000 XT	ALUMINIUM	ANODIZED DARK BRONZE	2" x 6"	GL-2	
Grand total: 2									

IDAHO CONNECTION DETAILS	
TAG	DESCRIPTION
1-SF	ANCHORAGE INTO CONCRETE =USE (2) 3/8" DIA. SIMPSON TITEN HD SCREW ANCHOR WITH 2-1/2" NOMINAL DEPTH, INSTALLATION PER ICC-ES ESR-2713
4-SF	EDGE MULLION ANCHORAGE INTO STRUCTURAL STEEL=USE (2) ITW BUILDDEX TEKS 12-24 TEKS/ 5 SCREW @EA SIDE OF MULLION WITH 3" MIN. SPACING, 1" MIN EDGE DISTANCE, 1/8" MIN. STEEL THICKNESS, INSTALLATION PER ICC-ES ESR-1976

GLASS SPECIFICATIONS	
GL-1	1/4" CLEAR (TEMPERED WHERE REQUIRED/INDICATED)
GL-2	1" OA, 1/4" CLEAR, SNX 51/23, 1/2" BLACK SPACER, 1/4" CLEAR (TEMPERED WHERE REQUIRED)
GL-3	1" OA, 1/4" CLEAR, SNX 51/23, 1/2" BLACK SPACER, 1/4" CLEAR SOLID BLACK FRIT (SX2439) #4 (TEMP WHERE REQUIRED)
GL-4	1" OA, 1/4" CLEAR, SNX 51/23, 1/2" BLACK SPACER, 9/16" .060 WHITE DIFFUSED LAMI/ ACID ETCH FRIT

E26 STOREFRONT SCHEDULE									
NAME	FRAME SIZE		FRAME FINISHES			FRAME SPECIFICATION		DOOR SIZE	DOOR TAG
	FRAME LENGTH	FRAME HEIGHT	MFR.	SERIES	PANEL MATERIAL	FINISHES	MULLION SIZE		
E26	9' - 0 1/2"	11' - 11 1/2"	OBE	6000 XT	ALUMINIUM	ANODIZED DARK BRONZE	2" x 6"	GL-2	
Grand total: 1									

E28 STOREFRONT SCHEDULE									
NAME	FRAME SIZE		FRAME FINISHES			FRAME SPECIFICATION		DOOR SIZE	DOOR TAG
	FRAME LENGTH	FRAME HEIGHT	MFR.	SERIES	PANEL MATERIAL	FINISHES	MULLION SIZE		
E28	9' - 6 1/2"	11' - 11 1/2"	OBE	6000 XT	ALUMINIUM	ANODIZED DARK BRONZE	2" x 6"	GL-2	
Grand total: 1									

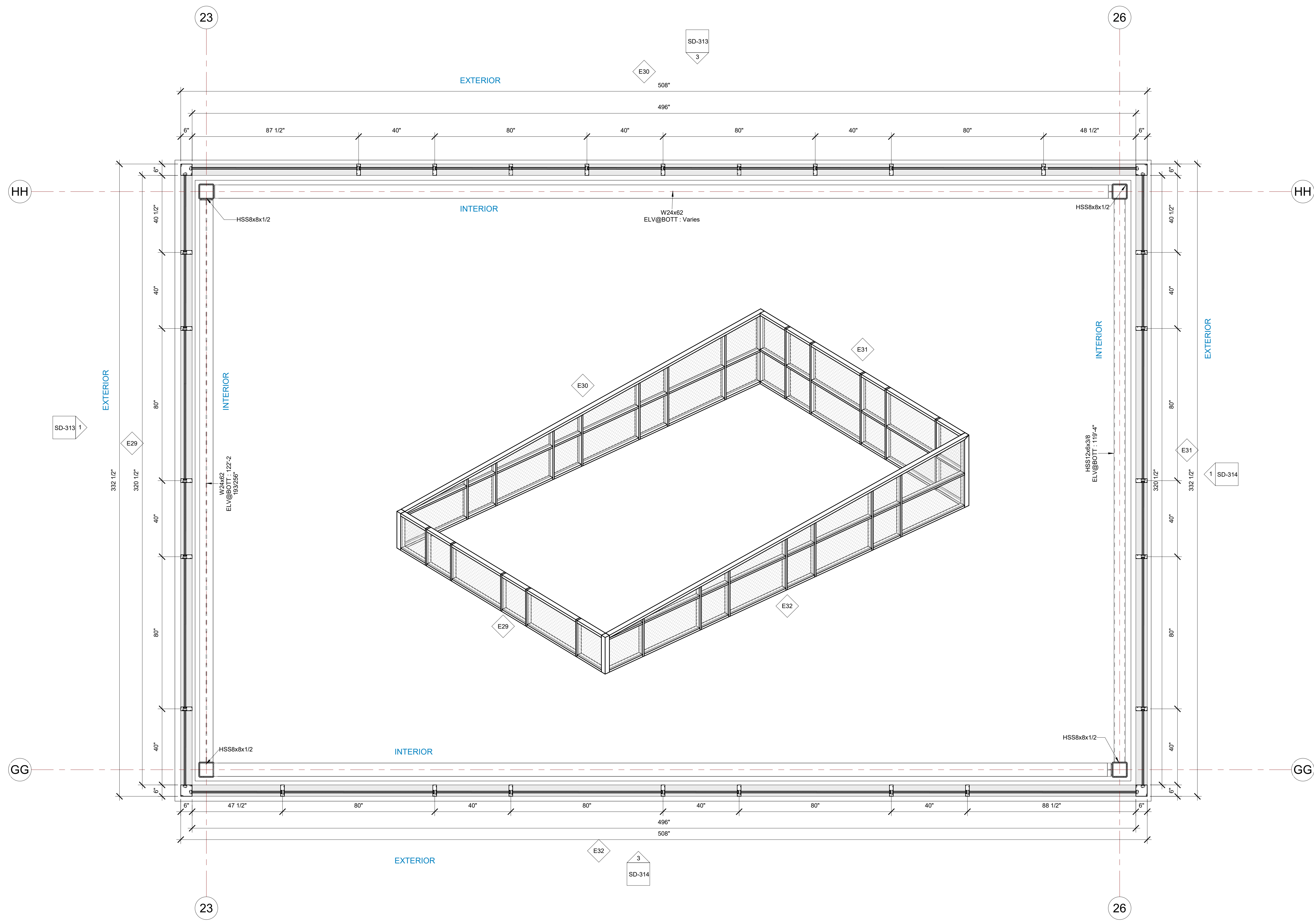


BIM ARCHITECTS AND ENGINEERS  
**SIMSONA CORP.**  
 1451 Rockville Pike, Suite #250,  
 Rockville, MD 20850  
 Phone : 301-408-8553  
 Email: raj@simsona.com  
 www.simsonacadd.com

PROJECT NAME  
**IDAHO OUTDOOR FIELDHOUSE**  
 3211 E. BARBER VALLEY Dr. BOISE,  
 IDAHO 83716

Revision Schedule		
Revision Number	Revision Description	Revision Date
2	REVISED CONCERNING SIMSONA SUBMITTAL #02	06-06-2022
3	REVISED CONCERNING SUBMITTAL#03 COMMENTS	07-12-2022
4	REVISED CONCERNING SUBMITTAL#05 COMMENTS	07-27-2022
8	DESIGN CALCULATION DETAILS ADDED	08-26-2022

**E01, E26, E27, E28 ELEVATION STOREFRONT DETAILS**  
 PROJECT NUMBER SIM-37  
 DATE 08-26-2022  
 Drawn by AC/AG/AY/SS  
 Checked by AP  
**SD-311**  
 SCALE-As indicated



E29, E30, E31, E32 STOREFRONT PLAN  
 1 VIEW  
 1/2" = 1'-0"

BIM ARCHITECTS AND ENGINEERS  
**SIMSONA CORP.**  
 1451 Rockville Pike, Suite #250,  
 Rockville, MD 20850  
 Phone : 301-408-8553  
 Email: raj@simsona.com  
 www.simsonacadd.com

PROJECT NAME  
**IDAHO OUTDOOR FIELDHOUSE**  
 3211 E. BARBER VALLEY Dr. BOISE,  
 IDAHO 83716

Revision Schedule		
Revision Number	Revision Description	Revision Date

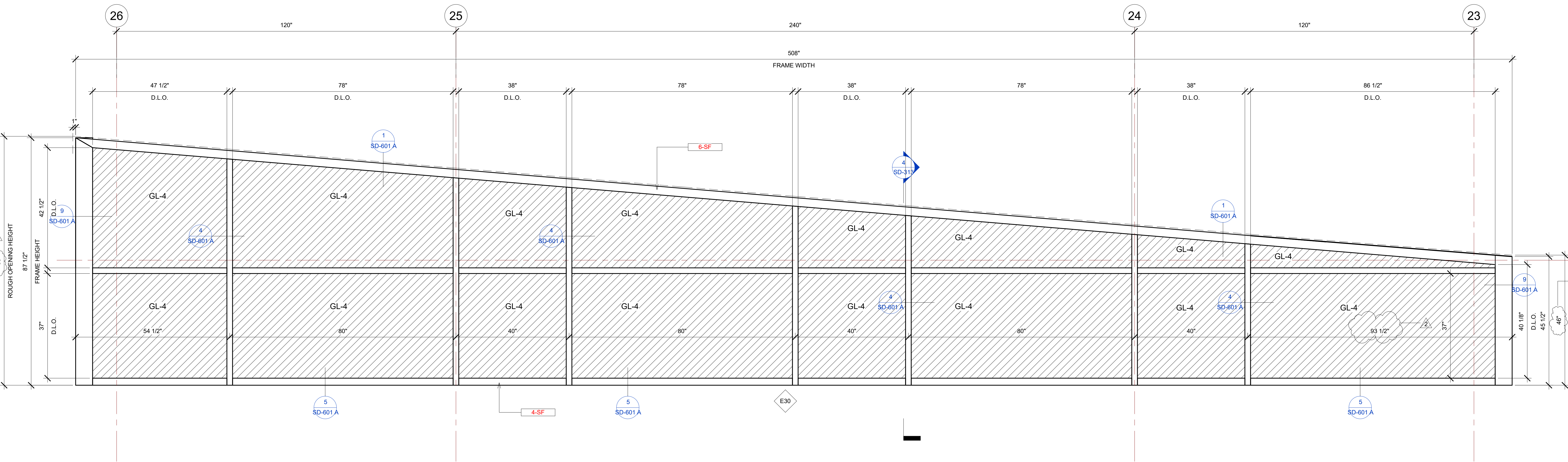
**E29, E30, E31, E32 PLAN  
 STOREFRONT DETAILS**  
 PROJECT NUMBER SIM-37  
 DATE 08-26-2022  
 Drawn by AC/AG/AY/SS  
 Checked by AP

**SD-312**  
 SCALE- 1/2" = 1'-0"

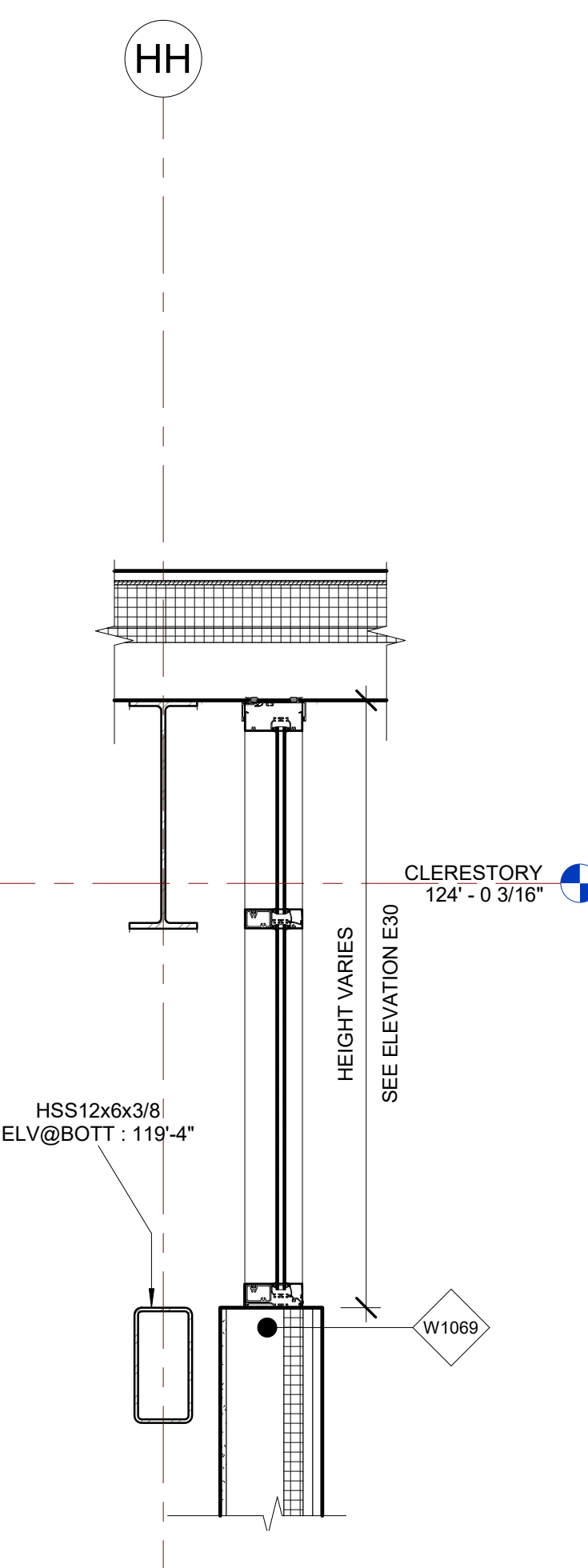
E30 STOREFRONT SCHEDULE								
NAME	FRAME SIZE		FRAME FINISHES				FRAME SPECIFICATION	
	FRAME LENGTH	FRAME HEIGHT	MFR.	SERIES	PANEL MATERIAL	FINISHES	MULLION SIZE	GLAZING TYPE
E30	41' - 10"	VARIABLE	OBE	6000 XT	ALUMINIUM	ANODIZED DARK BRONZE	2" x 6"	GL-3
Grand total: 1								

IDAHO CONNECTION DETAILS	
TAG	DESCRIPTION
4-SF	EDGE MULLION ANCHORAGE INTO STRUCTURAL STEEL=USE (2) ITW BUILDDEX TEKS 12-24 TEKS/ 5 SCREW @EA SIDE OF MULLION WITH 3" MIN. SPACING, 1" MIN EDGE DISTANCE, 1/8" MIN. STEEL THICKNESS, INSTALLATION PER ICC-ES ESR-1976
6-SF	ANCHORAGE INTO WOOD=(2) 3/8" DIA. LAG SCREW WITH 3" PENETRATION DEPTH

GLASS SPECIFICATIONS	
GL-1	1/4" CLEAR (TEMPERED WHERE REQUIRED/INDICATED)
GL-2	1" OA, 1/4" CLEAR, SNX 51/23, 1/2" BLACK SPACER, 1/4" CLEAR (TEMPERED WHERE REQUIRED)
GL-3	1" OA, 1/4" CLEAR, SNX 51/23, 1/2" BLACK SPACER, 1/4" CLEAR SOLID BLACK FRIT (SX2439) #4 (TEMP WHERE REQUIRED)
GL-4	1" OA, 1/4" CLEAR, SNX 51/23, 1/2" BLACK SPACER, 9/16" .060 WHITE DIFFUSED LAMI/ ACID ETCH FRIT

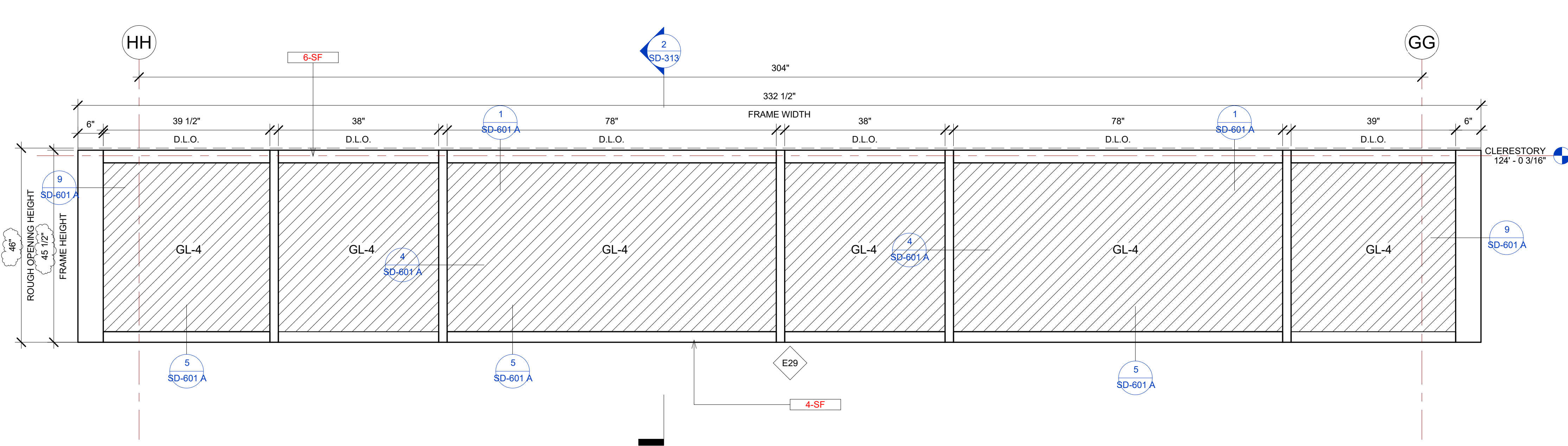


③ E30 ELEVATION VIEW  
3/4" = 1'-0"

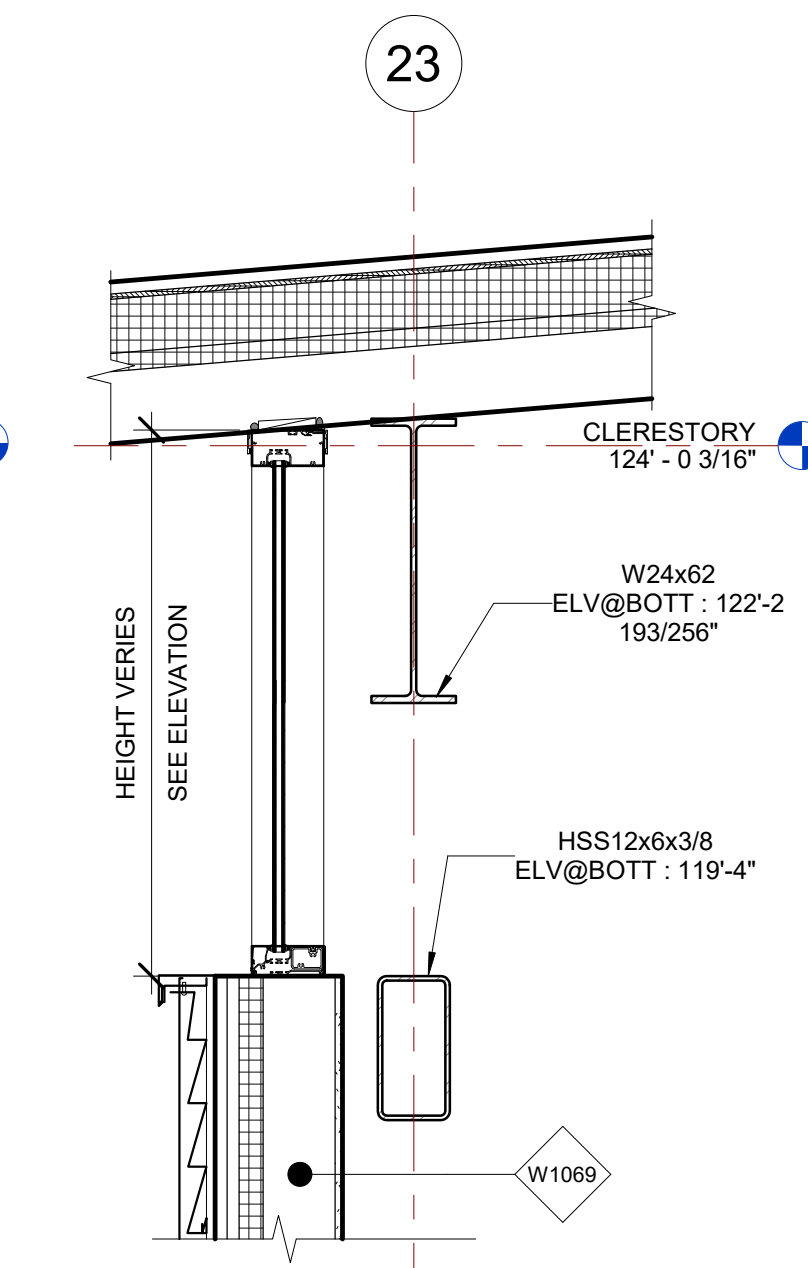


④ E30 STOREFRONT SECTION VIEW  
3/4" = 1'-0"

E29 STOREFRONT SCHEDULE								
NAME	FRAME SIZE		FRAME FINISHES				FRAME SPECIFICATION	
	FRAME LENGTH	FRAME HEIGHT	MFR.	SERIES	PANEL MATERIAL	FINISHES	MULLION SIZE	GLAZING TYPE
E29	27' - 8 1/2"	3' - 8 3/4"	OBE	6000 XT	ALUMINIUM	ANODIZED DARK BRONZE	2" x 6"	GL-3
Grand total: 1								



① E29 ELEVATION VIEW  
3/4" = 1'-0"



② E29 STOREFRONT SECTION VIEW  
3/4" = 1'-0"

E29, E30 ELEVATION STOREFRONT DETAILS		SD-313
PROJECT NUMBER SIM-37		
DATE	08-26-2022	
Drawn by	AC/AG/AY/SS	
Checked by	AP	
SCALE- 3/4" = 1'-0"		

BIM ARCHITECTS AND ENGINEERS  
  
**SIMSONA CORP.**  
 1451 Rockville Pike, Suite #250,  
 Rockville, MD 20850  
 Phone : 301-408-8553  
 Email: raj@simsona.com  
 www.simsonacadd.com

PROJECT NAME  
**IDAHO OUTDOOR FIELDHOUSE**  
 3211 E. BARBER VALLEY Dr. BOISE,  
 IDAHO 83716

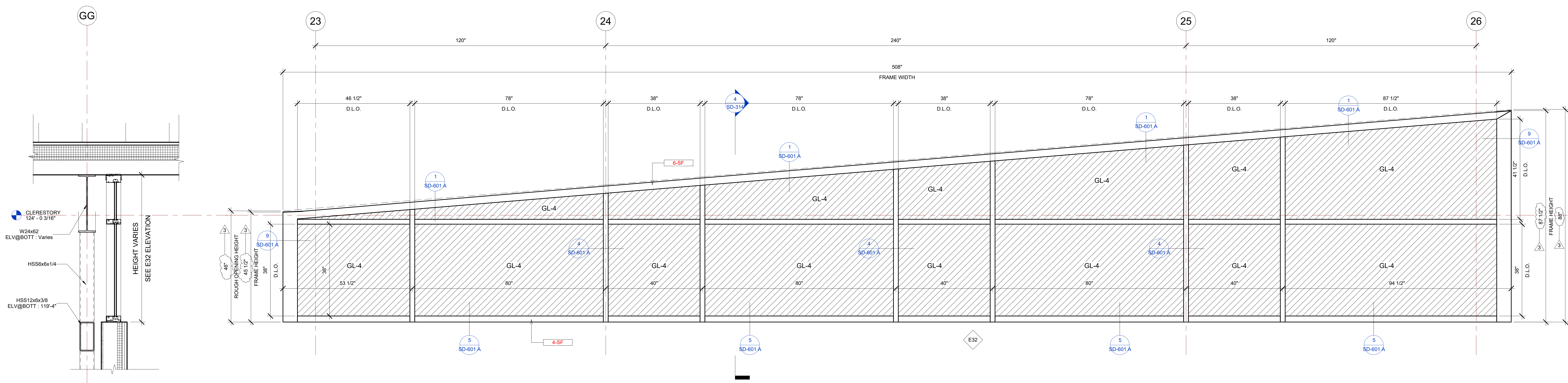
Revision Schedule		
Revision Number	Revision Description	Revision Date
2	REVISED CONCERNING SIMSONA SUBMITTAL #02	06-06-2022
3	REVISED CONCERNING SUBMITTAL#03 COMMENTS	07-12-2022
8	DESIGN CALCULATION DETAILS ADDED	08-26-2022



E32 STOREFRONT SCHEDULE								
NAME	FRAME SIZE		FRAME FINISHES				FRAME SPECIFICATION	
	FRAME LENGTH	FRAME HEIGHT	MFR.	SERIES	PANEL MATERIAL	FINISHES	MULLION SIZE	GLAZING TYPE
E32	41' - 10"	VARIABLE	OBE	6000 XT	ALUMINIUM	ANODIZED DARK BRONZE	2" x 6"	GL-3
Grand total: 1								

IDAHO CONNECTION DETAILS	
TAG	DESCRIPTION
4-SF	EDGE MULLION ANCHORAGE INTO STRUCTURAL STEEL-USE (2) ITW BUILDEX TEKS 12-24 TEKS/ 5 SCREW @EA SIDE OF MULLION WITH 3" MIN. SPACING, 1" MIN EDGE DISTANCE, 1/8" MIN. STEEL THICKNESS, INSTALLATION PER ICC-ES ESR-1976
6-SF	ANCHORAGE INTO WOOD=(2) 3/8" DIA. LAG SCREW WITH 3" PENETRATION DEPTH

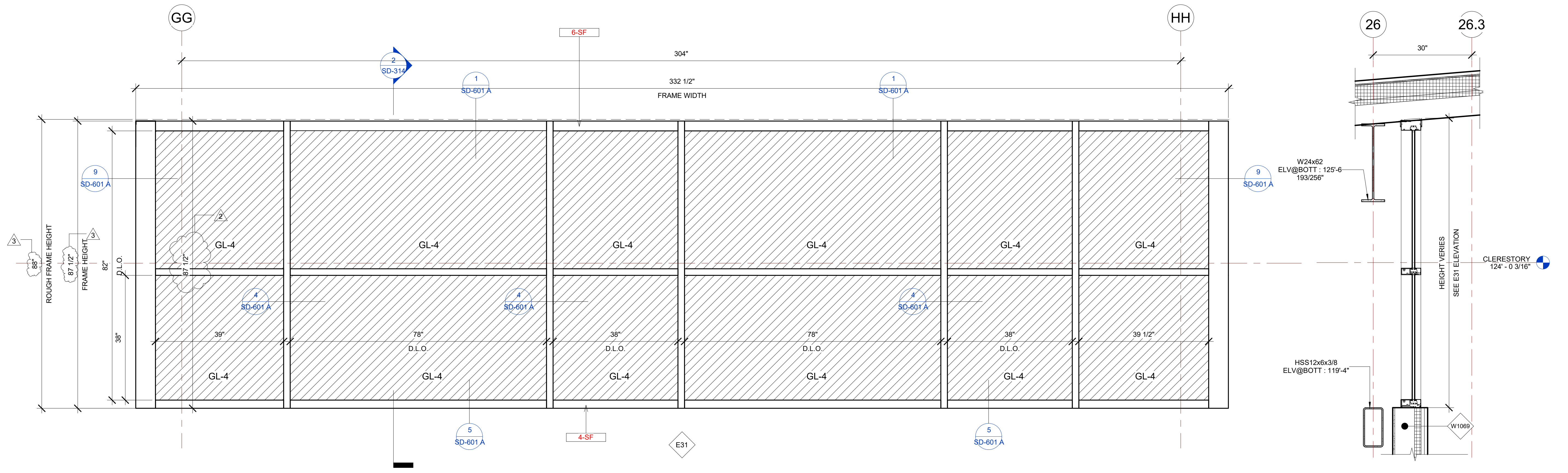
GLASS SPECIFICATIONS	
GL-1	1/4" CLEAR (TEMPERED WHERE REQUIRED/INDICATED)
GL-2	1" OA, 1/4" CLEAR, SNX 51/23, 1/2" BLACK SPACER, 1/4" CLEAR (TEMPERED WHERE REQUIRED)
GL-3	1" OA, 1/4" CLEAR, SNX 51/23, 1/2" BLACK SPACER, 1/4" CLEAR SOLID BLACK FRIT (SX2439) #4 (TEMP WHERE REQUIRED)
GL-4	1" OA, 1/4" CLEAR, SNX 51/23, 1/2" BLACK SPACER, 9/16" .060 WHITE DIFFUSED LAMI/ ACID ETCH FRIT



④ E32 STOREFRONT SECTION VIEW  
3/4" = 1'-0"

③ E32 ELEVATION VIEW  
3/4" = 1'-0"

E31 STOREFRONT SCHEDULE								
NAME	FRAME SIZE		FRAME FINISHES				FRAME SPECIFICATION	
	FRAME LENGTH	FRAME HEIGHT	MFR.	SERIES	PANEL MATERIAL	FINISHES	MULLION SIZE	GLAZING TYPE
E31	26' - 8 1/2"	7' - 3"	OBE	6000 XT	ALUMINIUM	ANODIZED DARK BRONZE	2" x 6"	GL-3
Grand total: 1								



① E31 ELEVATION VIEW  
3/4" = 1'-0"

② E31 STOREFRONT SECTION VIEW  
3/4" = 1'-0"

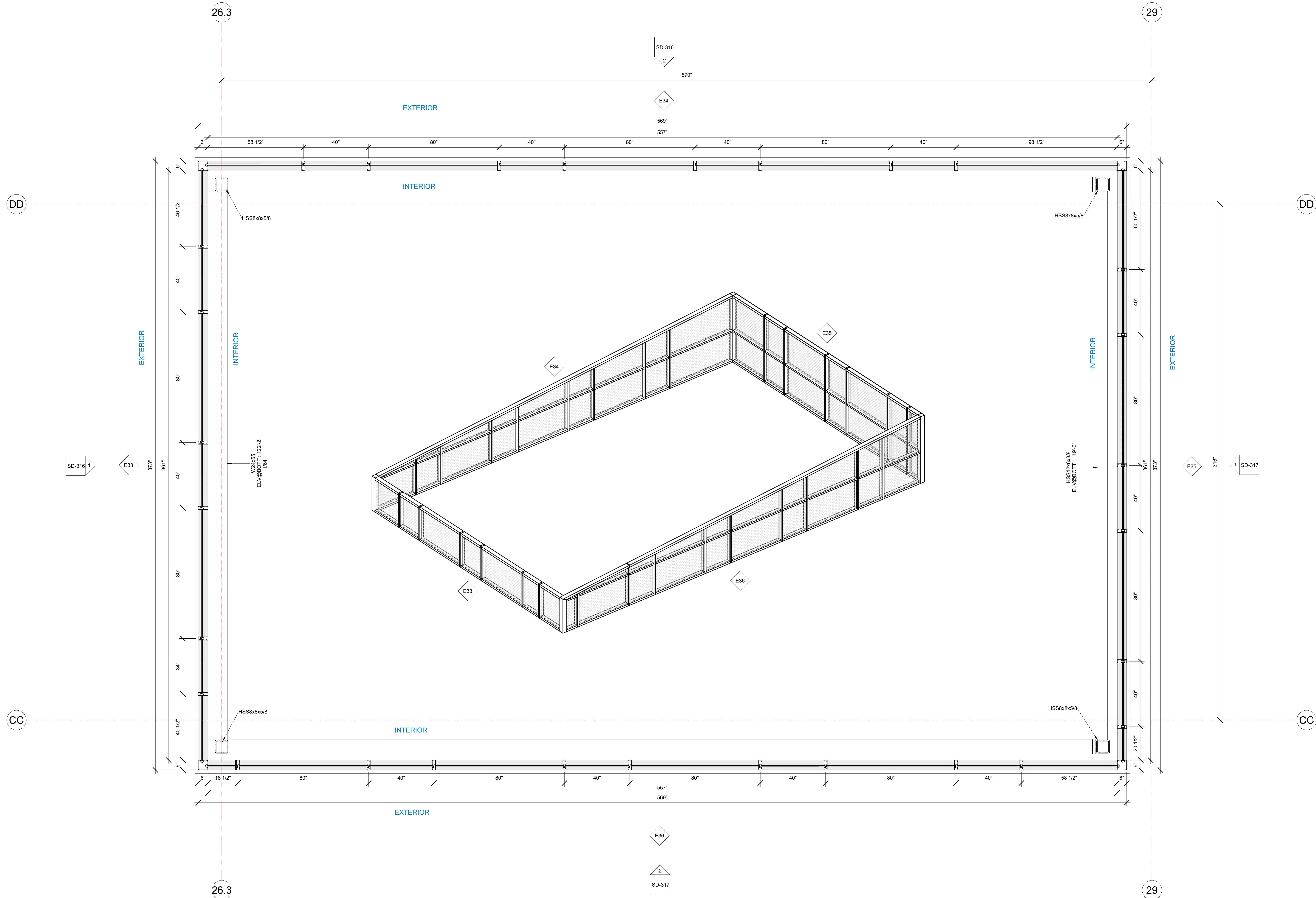
BIM ARCHITECTS AND ENGINEERS  
**SIMSONA CORP.**  
 1451 Rockville Pike, Suite #250,  
 Rockville, MD 20850  
 Phone : 301-408-8553  
 Email: raj@simsona.com  
 www.simsonacadd.com

PROJECT NAME  
**IDAHO OUTDOOR FIELDHOUSE**  
 3211 E. BARBER VALLEY Dr. BOISE,  
 IDAHO 83716

Revision Schedule		
Revision Number	Revision Description	Revision Date
2	REVISED CONCERNING SIMSONA SUBMITTAL #02	06-06-2022
3	REVISED CONCERNING SUBMITTAL#03 COMMENTS	07-12-2022
8	DESIGN CALCULATION DETAILS ADDED	08-26-2022

E31, E32 ELEVATION STOREFRONT DETAILS		SD-314
PROJECT NUMBER SIM-37		
DATE	08-26-2022	SCALE- 3/4" = 1'-0"
Drawn by	AC/AG/AY/SS	
Checked by	AP	

PLOT CREATED: 08-26-2022



E33, E34, E35, E36 STOREFRONT PLAN  
 1 VIEW  
 1/2" = 1'-0"

BIM ARCHITECTS AND ENGINEERS  
**SIMSONA CORP.**  
 1451 Rockville Pike, Suite #250,  
 Rockville, MD 20850  
 Phone : 301-408-8553  
 Email: raj@simsona.com  
 www.simsonacadd.com

PROJECT NAME  
**IDAHO OUTDOOR FIELDHOUSE**  
 3211 E. BARBER VALLEY Dr. BOISE,  
 IDAHO 83716

Revision Schedule		
Revision Number	Revision Description	Revision Date

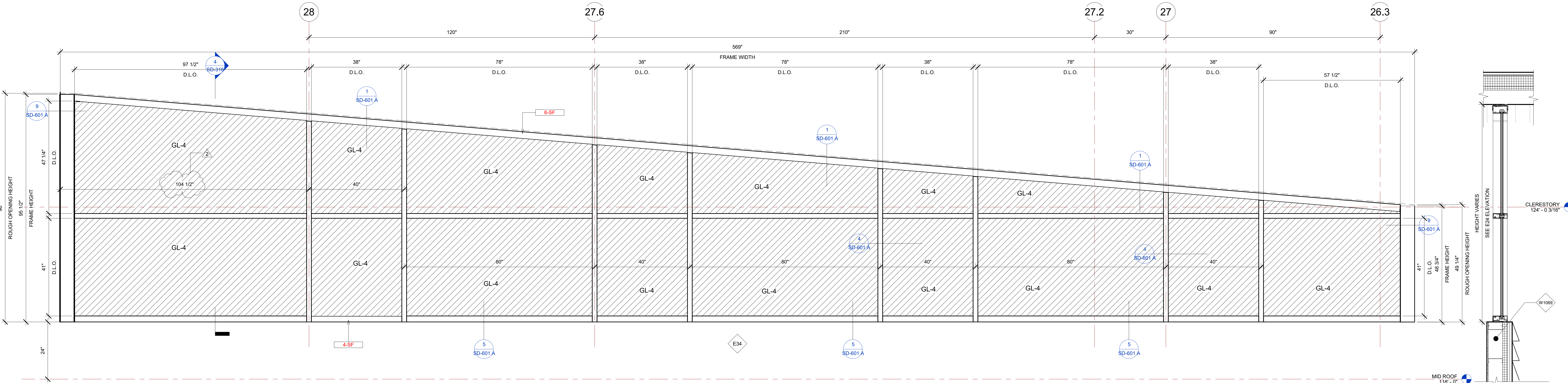
**E33, E34, E35, E36 PLAN**  
**STOREFRONT DETAILS**  
 PROJECT NUMBER SIM-37  
 DATE 08-26-2022  
 Drawn by AC/AG/AY/SS  
 Checked by AP

**SD-315**  
 SCALE- 1/2" = 1'-0"

E34 STOREFRONT SCHEDULE								
NAME	FRAME SIZE		FRAME FINISHES				FRAME SPECIFICATION	
	FRAME LENGTH	FRAME HEIGHT	MFR.	SERIES	PANEL MATERIAL	FINISHES	MULLION SIZE	GLAZING TYPE
E34	46' - 5"	VARIABLES	OBE	6000 XT	ALUMINIUM	ANODIZED DARK BRONZE	2" x 6"	GL-3
Grand total: 1								

IDAHO CONNECTION DETAILS	
TAG	DESCRIPTION
4-SF	EDGE MULLION ANCHORAGE INTO STRUCTURAL STEEL=USE (2) ITW BUILDDEX TEKS 12-24 TEKS/ 5 SCREW @EA SIDE OF MULLION WITH 3" MIN. SPACING. 1" MIN EDGE DISTANCE. 1/8" MIN. STEEL THICKNESS. INSTALLATION PER ICC-ES ESR-1976
6-SF	ANCHORAGE INTO WOOD=(2) 3/8" DIA. LAG SCREW WITH 3" PENETRATION DEPTH

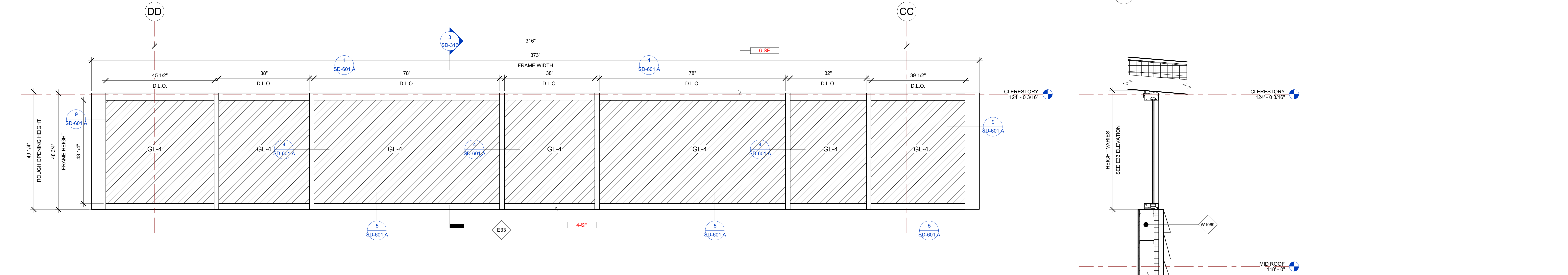
GLASS SPECIFICATIONS	
GL-1	1/4" CLEAR (TEMPERED WHERE REQUIRED/INDICATED)
GL-2	1" OA, 1/4" CLEAR, SNX 51/23, 1/2" BLACK SPACER, 1/4" CLEAR (TEMPERED WHERE REQUIRED)
GL-3	1" OA, 1/4" CLEAR, SNX 51/23, 1/2" BLACK SPACER, 1/4" CLEAR SOLID BLACK FRIT (SX2439) #4 (TEMP WHERE REQUIRED)
GL-4	1" OA, 1/4" CLEAR, SNX 51/23, 1/2" BLACK SPACER, 9/16" .060 WHITE DIFFUSED LAMI/ ACID ETCH FRIT



2 E34 ELEVATION VIEW  
3/4" = 1'-0"

4 E34 STOREFRONT SECTION VIEW  
3/4" = 1'-0"

E33 STOREFRONT SCHEDULE								
NAME	FRAME SIZE		FRAME FINISHES				FRAME SPECIFICATION	
	FRAME LENGTH	FRAME HEIGHT	MFR.	SERIES	PANEL MATERIAL	FINISHES	MULLION SIZE	GLAZING TYPE
E33	30' - 6 15/16"	4' - 0 25/32"	OBE	6000 XT	ALUMINIUM	ANODIZED DARK BRONZE	2" x 6"	GL-3
Grand total: 1								



1 E33 ELEVATION VIEW  
3/4" = 1'-0"

3 E33 STOREFRONT SECTION VIEW  
3/4" = 1'-0"

BIM ARCHITECTS AND ENGINEERS  
**SIMSONA CORP.**  
 1451 Rockville Pike, Suite #250,  
 Rockville, MD 20850  
 Phone : 301-408-8553  
 Email: raj@simsona.com  
 www.simsonacadd.com

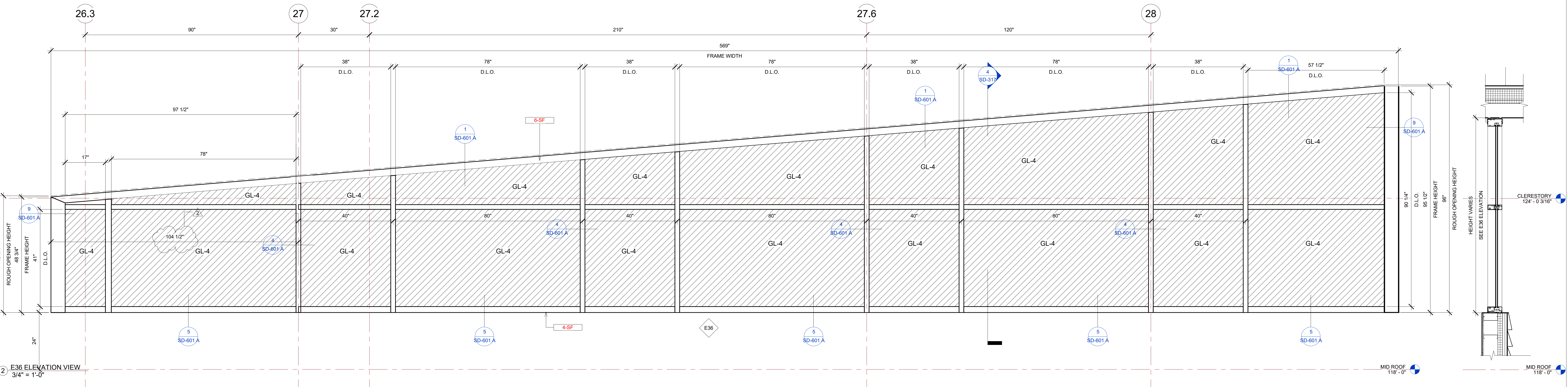
PROJECT NAME  
**IDAHO OUTDOOR FIELDHOUSE**  
 3211 E. BARBER VALLEY Dr. BOISE,  
 IDAHO 83716

Revision Schedule		
Revision Number	Revision Description	Revision Date
2	REVISED CONCERNING SIMSONA SUBMITTAL #02	06-06-2022
8	DESIGN CALCULATION DETAILS ADDED	08-26-2022

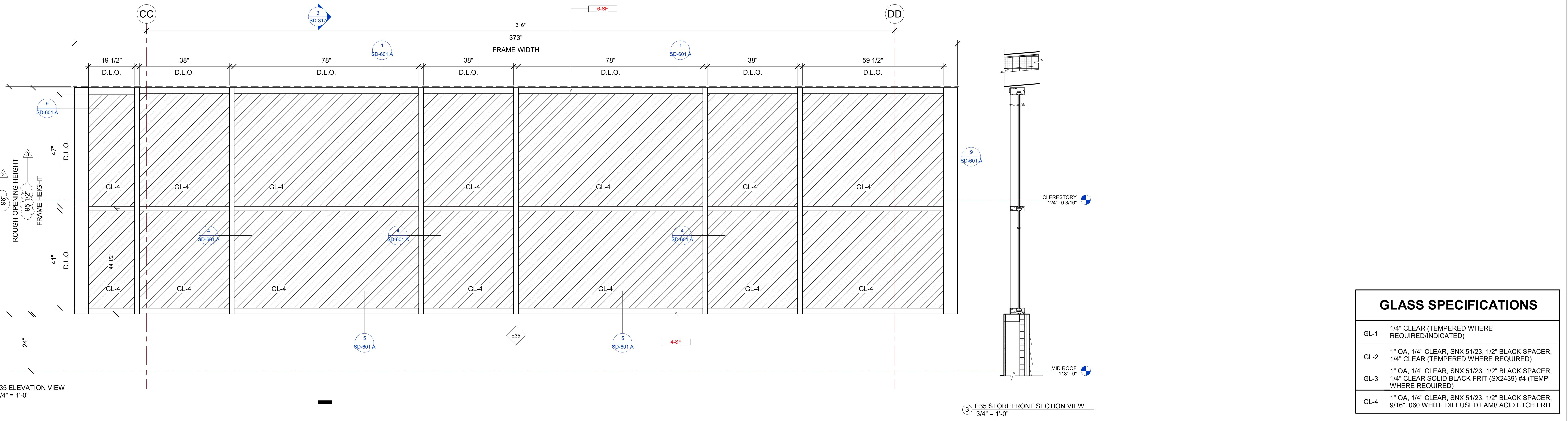
**E33, E34, ELEVATION STOREFRONT DETAILS**  
 PROJECT NUMBER SIM-37  
 DATE 08-26-2022  
 Drawn by AC/AG/AY/SS  
 Checked by AP  
**SD-316**  
 SCALE- 3/4" = 1'-0"

E36 STOREFRONT SCHEDULE								
NAME	FRAME SIZE		FRAME FINISHES				FRAME SPECIFICATION	
	FRAME LENGTH	FRAME HEIGHT	MFR.	SERIES	PANEL MATERIAL	FINISHES	MULLION SIZE	GLAZING TYPE
E36	46' - 11"	VARIES	OBE	6000 XT	ALUMINIUM	ANODIZED DARK BRONZE	2" x 6"	GL-3
Grand total: 1								

IDAHO CONNECTION DETAILS	
TAG	DESCRIPTION
4-SF	EDGE MULLION ANCHORAGE INTO STRUCTURAL STEEL=USE (2) ITW BUILDEX TEKS 12-24 TEKS/ 5 SCREW @EA SIDE OF MULLION WITH 3" MIN. SPACING, 1" MIN EDGE DISTANCE, 1/8" MIN. STEEL THICKNESS, INSTALLATION PER ICC-ES ESR-1976
6-SF	ANCHORAGE INTO WOOD=(2) 3/8" DIA. LAG SCREW WITH 3" PENETRATION DEPTH



E35 STOREFRONT SCHEDULE								
NAME	FRAME SIZE		FRAME FINISHES				FRAME SPECIFICATION	
	FRAME LENGTH	FRAME HEIGHT	MFR.	SERIES	PANEL MATERIAL	FINISHES	MULLION SIZE	GLAZING TYPE
E35	31' - 1"	7' - 11 1/2"	OBE	6000 XT	ALUMINIUM	ANODIZED DARK BRONZE	2" x 6"	GL-3
E35	31' - 1"	7' - 11 1/2"	OBE	6000 XT	ALUMINIUM	ANODIZED DARK BRONZE	2" x 6"	GL-3
Grand total: 2								



GLASS SPECIFICATIONS	
GL-1	1/4" CLEAR (TEMPERED WHERE REQUIRED/INDICATED)
GL-2	1" OA, 1/4" CLEAR, SNX 51/23, 1/2" BLACK SPACER, 1/4" CLEAR (TEMPERED WHERE REQUIRED)
GL-3	1" OA, 1/4" CLEAR, SNX 51/23, 1/2" BLACK SPACER, 1/4" CLEAR SOLID BLACK FRIT (SX2439) #4 (TEMP WHERE REQUIRED)
GL-4	1" OA, 1/4" CLEAR, SNX 51/23, 1/2" BLACK SPACER, 9/16" .060 WHITE DIFFUSED LAMI/ ACID ETCH FRIT

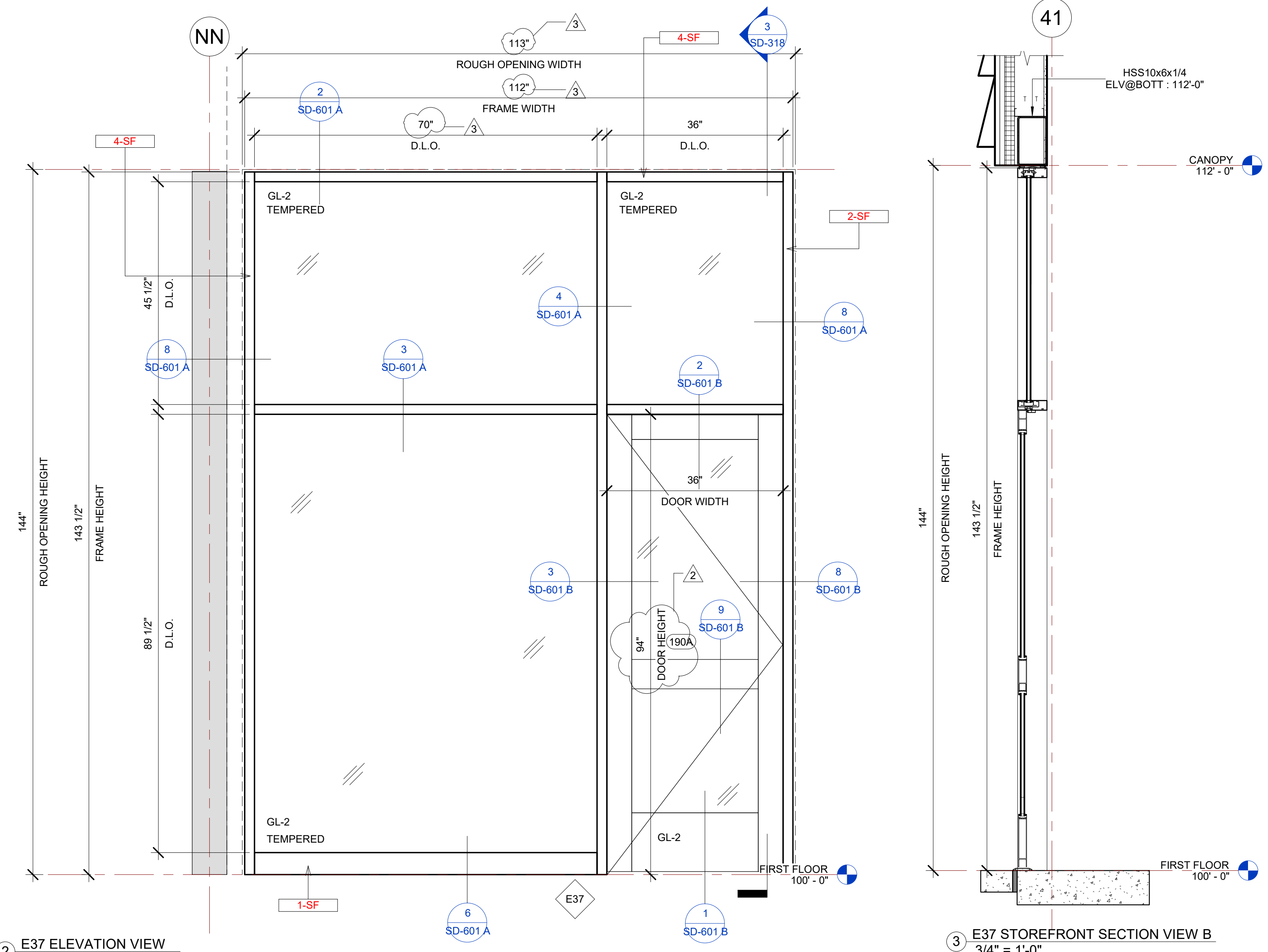
BIM ARCHITECTS AND ENGINEERS  
**SIMSONA CORP.**  
 1451 Rockville Pike, Suite #250,  
 Rockville, MD 20850  
 Phone : 301-408-8553  
 Email: raj@simsona.com  
 www.simsonacadd.com

PROJECT NAME  
**IDAHO OUTDOOR FIELDHOUSE**  
 3211 E. BARBER VALLEY Dr. BOISE,  
 IDAHO 83716

Revision Schedule		
Revision Number	Revision Description	Revision Date
2	REVISED CONCERNING SIMSONA SUBMITTAL #02	06-06-2022
3	REVISED CONCERNING SUBMITTAL#03 COMMENTS	07-12-2022
8	DESIGN CALCULATION DETAILS ADDED	08-26-2022

**E35, E36 ELEVATION STOREFRONT DETAILS**  
 PROJECT NUMBER SIM-37  
 DATE 08-26-2022  
 Drawn by AC/AG/AY/SS  
 Checked by AP  
**SD-317**  
 SCALE- 3/4" = 1'-0"

PLOT CREATED: 08-26-2022

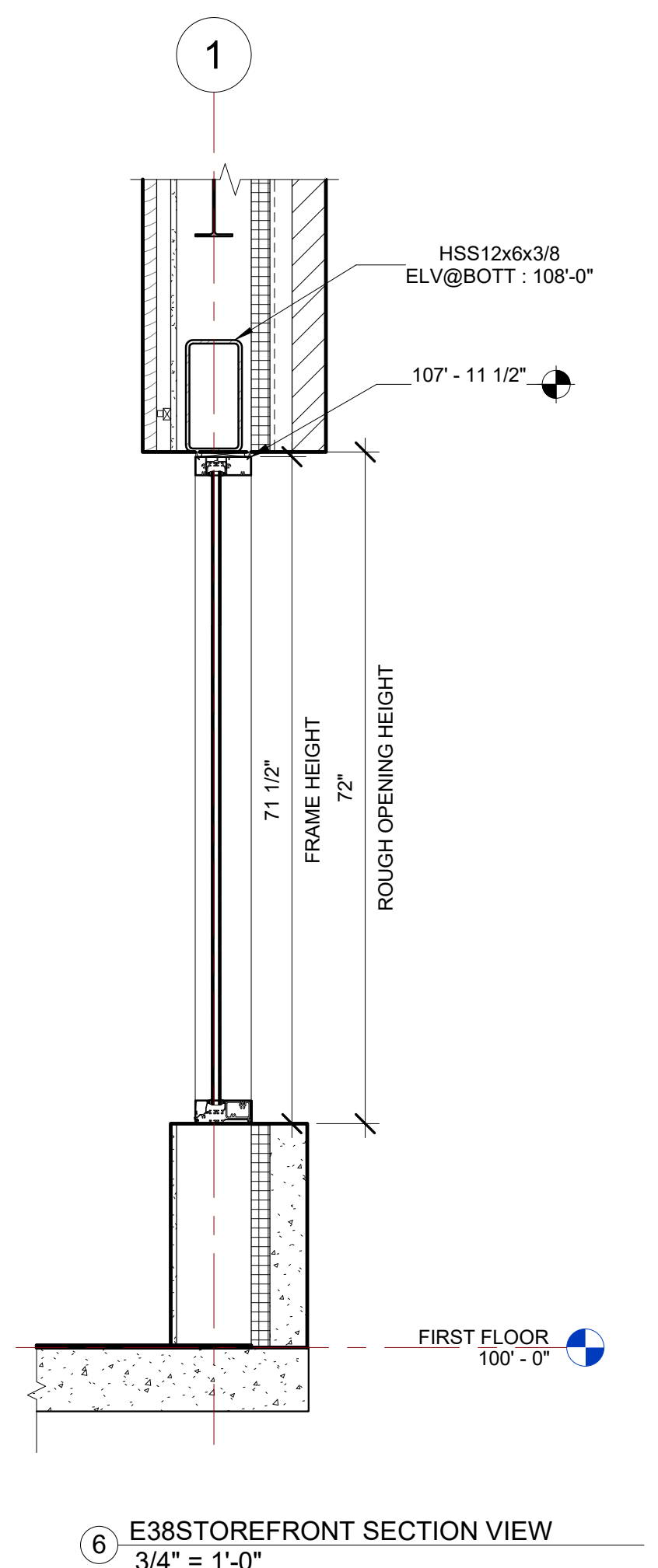
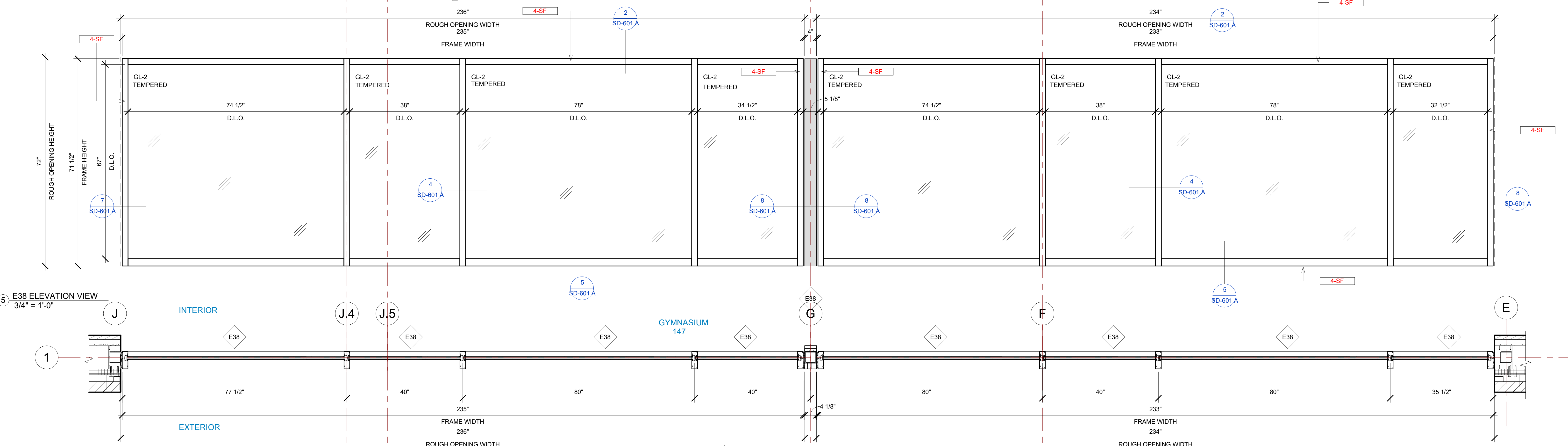
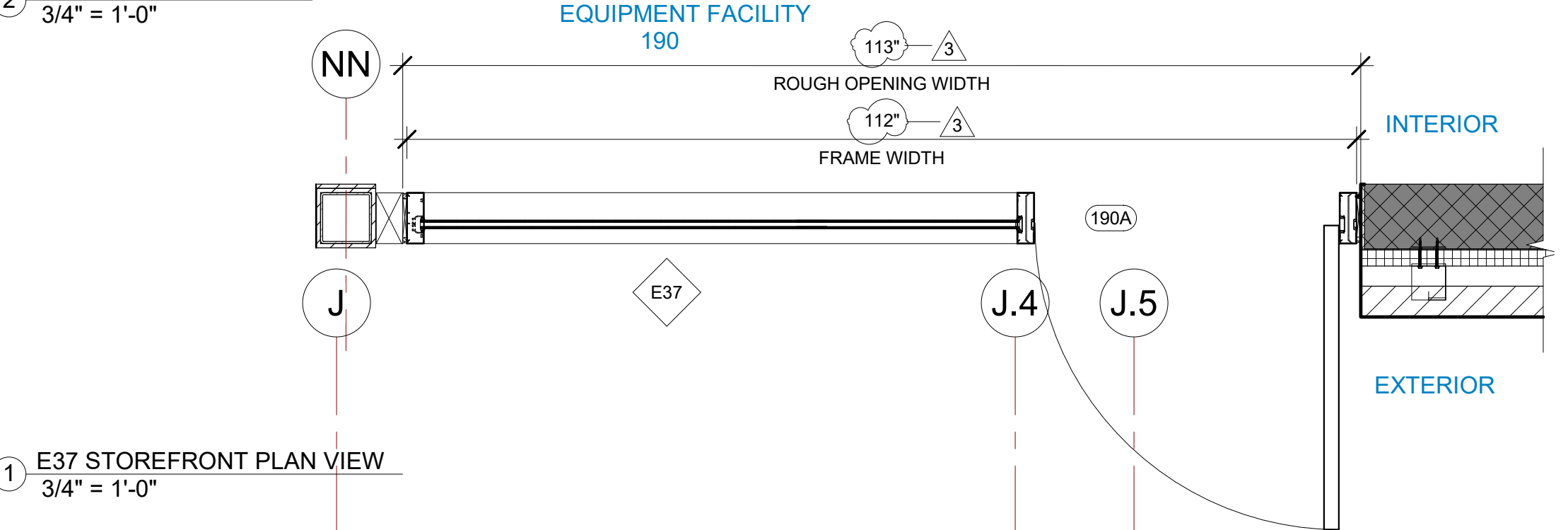


E37 STOREFRONT SCHEDULE											
NAME	FRAME SIZE		FRAME FINISHES				FRAME SPECIFICATION		DOOR SPECIFICATIONS		
	FRAME LENGTH	FRAME HEIGHT	MFR.	SERIES	PANEL MATERIAL	FINISHES	MULLION SIZE	GLAZING TYPE	DOOR SIZE	DOOR TAG	HARDWARE GROUP
E37	9' - 3 15/16"	11' - 11 1/2"	OBE	6000 XT	ALUMINIUM	ANODIZED DARK BRONZE	2" x 6"	GL-2	3'-0"x7'-10"	190A	#2
Grand total: 1											

E38 STOREFRONT SCHEDULE									
NAME	FRAME SIZE		FRAME FINISHES				FRAME SPECIFICATION		GLAZING TYPE
	FRAME LENGTH	FRAME HEIGHT	MFR.	SERIES	PANEL MATERIAL	FINISHES	MULLION SIZE		
E38	19' - 6 31/32"	5' - 11 1/2"	OBE	6000 XT	ALUMINIUM	ANODIZED DARK BRONZE	2" x 6"	GL-2	
E38	19' - 4 31/32"	5' - 11 1/2"	OBE	6000 XT	ALUMINIUM	ANODIZED DARK BRONZE	2" x 6"	GL-2	
Grand total: 2									

IDAHO CONNECTION DETAILS	
TAG	DESCRIPTION
1-SF	ANCHORAGE INTO CONCRETE =USE (2) 3/8" DIA. SIMPSON TITEN HD SCREW ANCHOR WITH 2-1/2" NOMINAL DEPTH, INSTALLATION PER ICC-ES ESR-2713
2-SF	ANCHORAGE INTO CMU=USE (2) 3/8" DIA. SIMPSON TITEN HD SCREW ANCHOR WITH 2-1/2" NOMINAL DEPTH, INSTALLATION PER ICC-ES ESR-1056
4-SF	EDGE MULLION ANCHORAGE INTO STRUCTURAL STEEL=USE (2) ITW BUILDEX TEKS 12-24 TEKS/ 5 SCREW @EA SIDE OF MULLION WITH 3" MIN. SPACING, 1" MIN EDGE DISTANCE, 1/8" MIN. STEEL THICKNESS, INSTALLATION PER ICC-ES ESR-1976

GLASS SPECIFICATIONS	
GL-1	1/4" CLEAR (TEMPERED WHERE REQUIRED/INDICATED)
GL-2	1" OA, 1/4" CLEAR, SNX 51/23, 1/2" BLACK SPACER, 1/4" CLEAR (TEMPERED WHERE REQUIRED)
GL-3	1" OA, 1/4" CLEAR, SNX 51/23, 1/2" BLACK SPACER, 1/4" CLEAR SOLID BLACK FRIT (SX2499) #4 (TEMP WHERE REQUIRED)
GL-4	1" OA, 1/4" CLEAR, SNX 51/23, 1/2" BLACK SPACER, 9/16" .060 WHITE DIFFUSED LAMI/ ACID ETCH FRIT



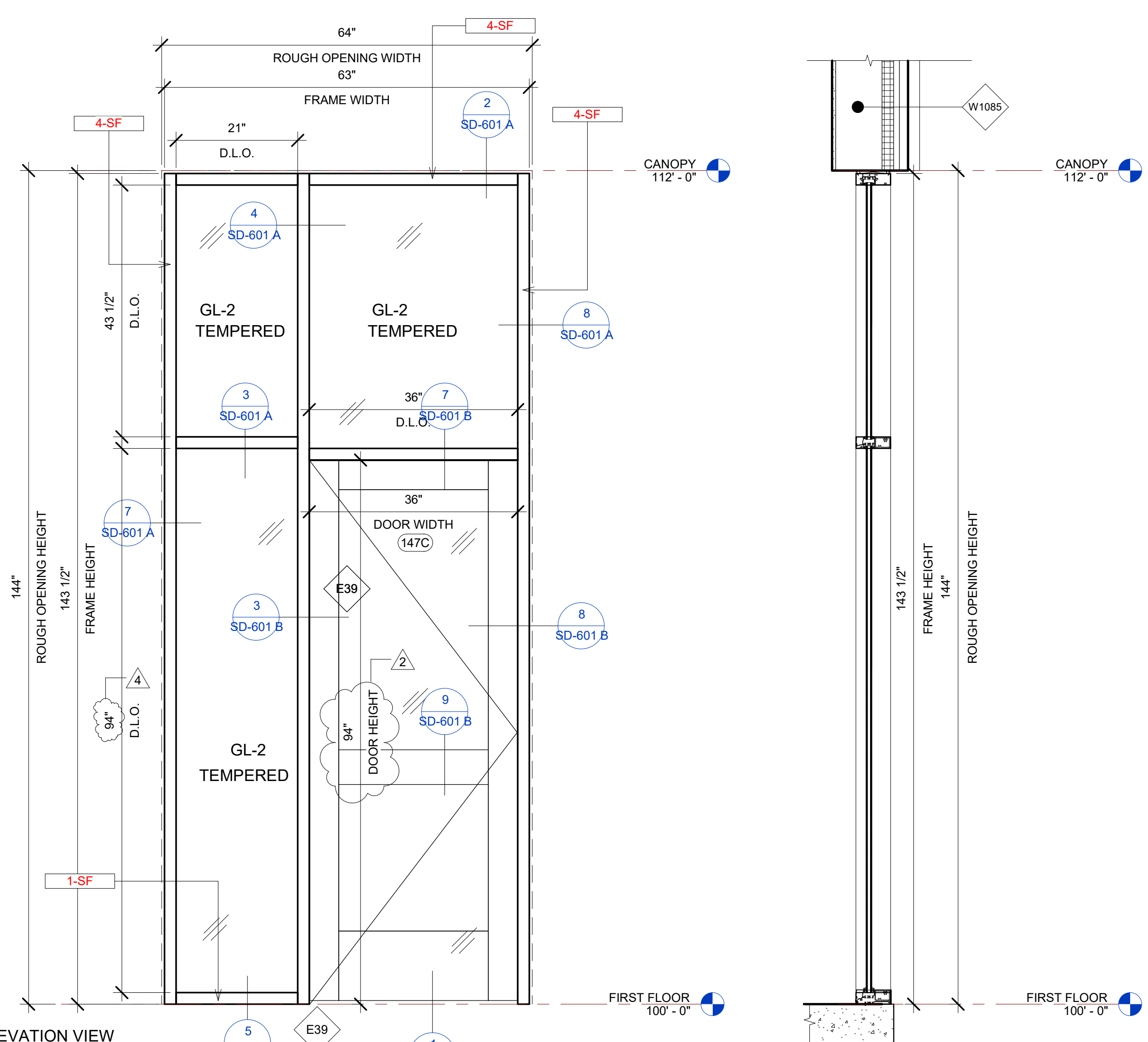
BIM ARCHITECTS AND ENGINEERS  
**SIMSONA CORP.**  
 1451 Rockville Pike, Suite #250,  
 Rockville, MD 20850  
 Phone : 301-408-8553  
 Email: raj@simsona.com  
 www.simsonacadd.com

PROJECT NAME  
**IDAHO OUTDOOR FIELDHOUSE**  
 3211 E. BARBER VALLEY Dr. BOISE,  
 IDAHO 83716

Revision Schedule		
Revision Number	Revision Description	Revision Date
2	REVISED CONCERNING SIMSONA SUBMITTAL #02	06-06-2022
3	REVISED CONCERNING SUBMITTAL#03 COMMENTS	07-12-2022
8	DESIGN CALCULATION DETAILS ADDED	08-26-2022

E37, E38 STOREFRNT DETAILS		
PROJECT NUMBER	SIM-37	SD-318
DATE	08-26-2022	
Drawn by	AC/AG/AY/SS	
Checked by	AP	
		SCALE- 3/4" = 1'-0"

PLOT CREATED: 08-26-2022



### GLASS SPECIFICATIONS

GL-1	1/4" CLEAR (TEMPERED WHERE REQUIRED/INDICATED)
GL-2	1" OA, 1/4" CLEAR, SNX 51/23, 1/2" BLACK SPACER, 1/4" CLEAR (TEMPERED WHERE REQUIRED)
GL-3	1" OA, 1/4" CLEAR, SNX 51/23, 1/2" BLACK SPACER, 1/4" CLEAR SOLID BLACK FRIT (SX2439) #4 (TEMP WHERE REQUIRED)
GL-4	1" OA, 1/4" CLEAR, SNX 51/23, 1/2" BLACK SPACER, 9/16" .060 WHITE DIFFUSED LAMI/ ACID ETCH FRIT

### E39 STOREFRONT SCHEDULE

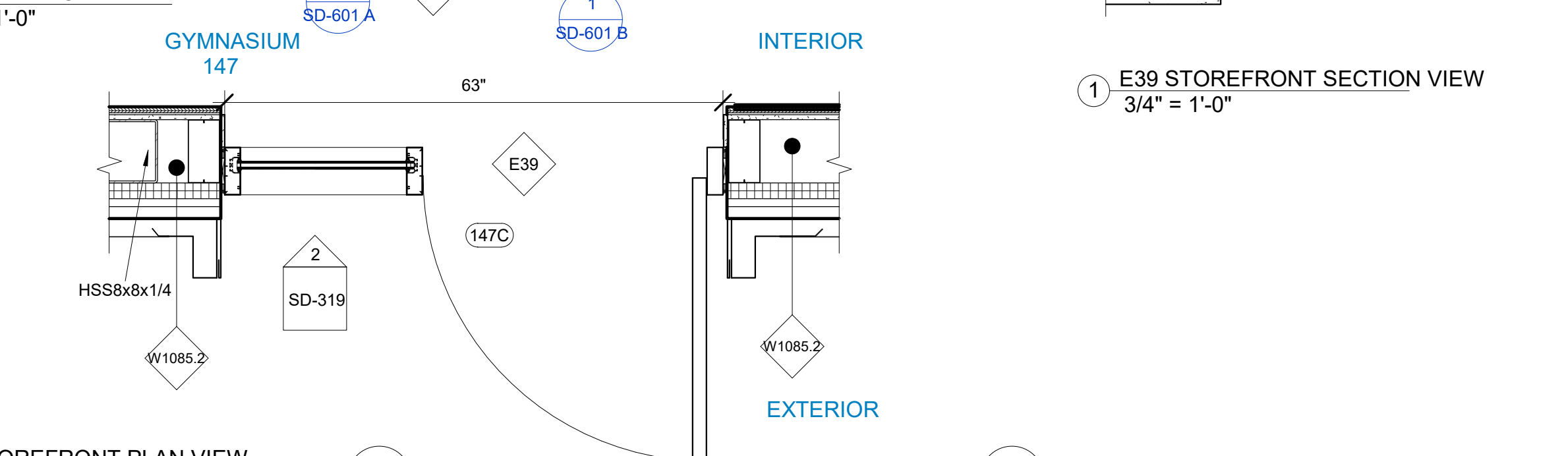
NAME	FRAME SIZE		FRAME FINISHES				FRAME SPECIFICATION		DOOR SPECIFICATION		
	FRAME LENGTH	FRAME HEIGHT	MFR.	SERIES	PANEL MATERIAL	FINISHES	MULLION SIZE	GLAZING TYPE	DOOR SIZE	DOOR TAG	HARDWARE GROUP
E39	5' - 3"	11' - 11 1/2"	OBE	6000 XT	ALUMINIUM	ANODIZED DARK BRONZE	2" x 6"	GL-2	3'-0"x7'-10"	147C	#7
Grand total: 1											

### E40 STOREFRONT SCHEDULE

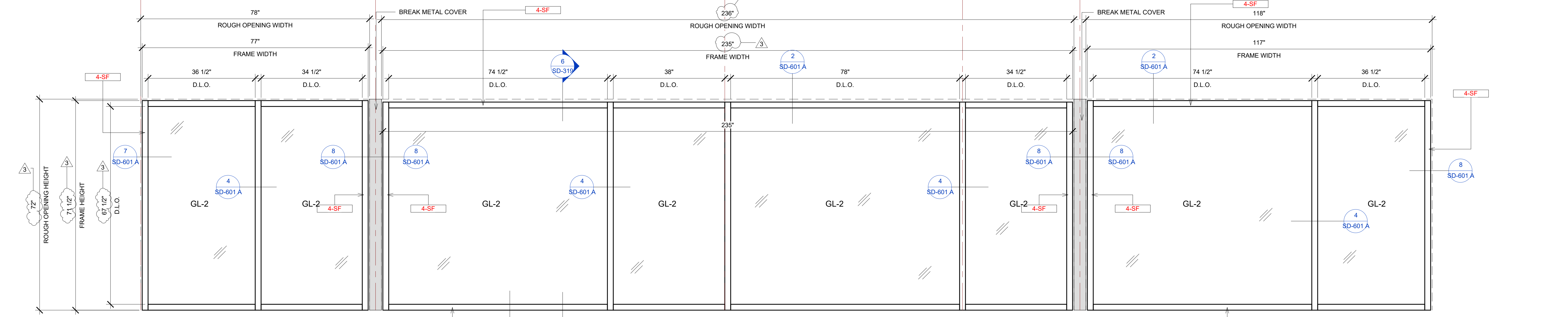
NAME	FRAME SIZE		FRAME FINISHES				FRAME SPECIFICATION	
	FRAME LENGTH	FRAME HEIGHT	MFR.	SERIES	PANEL MATERIAL	FINISHES	MULLION SIZE	GLAZING TYPE
E40	6' - 4 31/32"	5' - 11 1/2"	OBE	6000 XT	ALUMINIUM	ANODIZED DARK BRONZE	2" x 6"	GL-2
E40	19' - 7"	5' - 11"	OBE	6000 XT	ALUMINIUM	ANODIZED DARK BRONZE	2" x 6"	GL-2
E40	9' - 8 31/32"	5' - 11 1/2"	OBE	6000 XT	ALUMINIUM	ANODIZED DARK BRONZE	2" x 6"	GL-2
Grand total: 3								

### IDAHO CONNECTION DETAILS

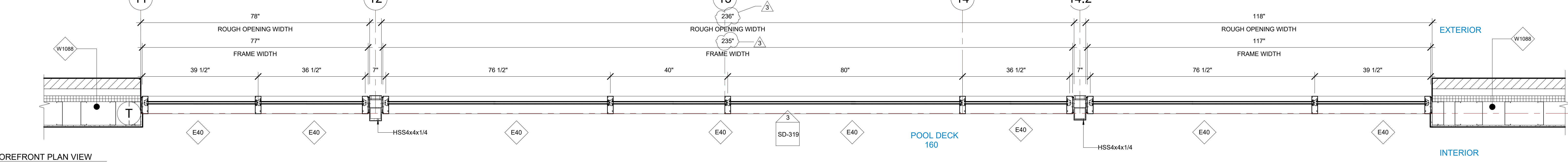
TAG	DESCRIPTION
1-SF	ANCHORAGE INTO CONCRETE -USE (2) 3/8" DIA. SIMPSON TITEN HD SCREW ANCHOR WITH 2-1/2" NOMINAL DEPTH, INSTALLATION PER ICC-ES ESR-2713
4-SF	EDGE MULLION ANCHORAGE INTO STRUCTURAL STEEL-USE (2) ITW BUILDEX TEKS 12-24 TEKS/ 5 SCREW @EA SIDE OF MULLION WITH 3" MIN. SPACING, 1" MIN EDGE DISTANCE, 1/8" MIN. STEEL THICKNESS, INSTALLATION PER ICC-ES ESR-1976



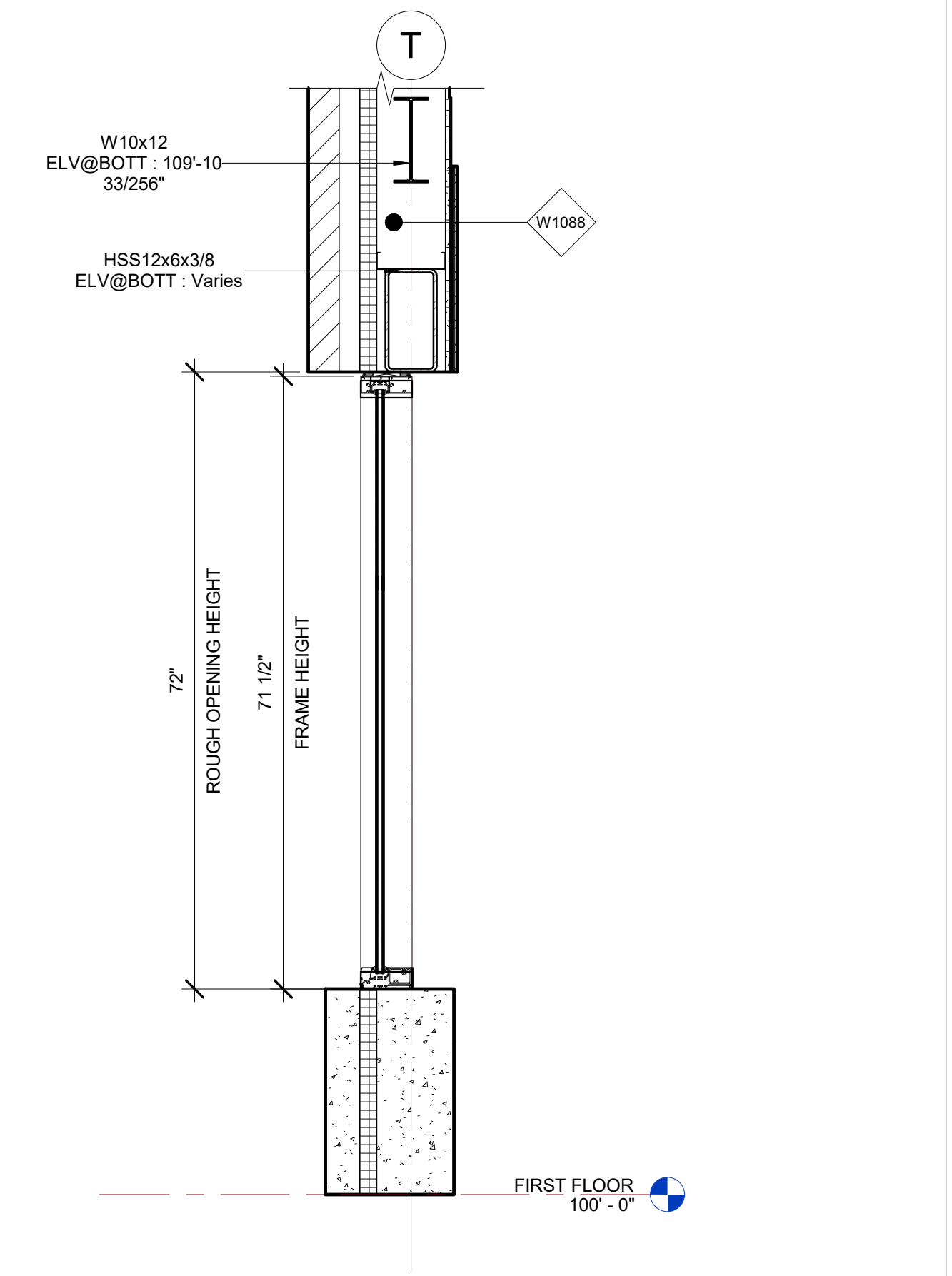
5 E39 STOREFRONT PLAN VIEW  
3/4" = 1'-0"



3 E40 ELEVATION VIEW  
3/4" = 1'-0"



4 E40 STOREFRONT PLAN VIEW  
3/4" = 1'-0"



6 E40 STOREFRONT SECTION VIEW  
3/4" = 1'-0"

BIM ARCHITECTS AND ENGINEERS  
**SIMSONA CORP.**  
 1451 Rockville Pike, Suite #250,  
 Rockville, MD 20850  
 Phone : 301-408-8553  
 Email: raj@simsona.com  
 www.simsonacadd.com

PROJECT NAME  
**IDAHO OUTDOOR FIELDHOUSE**  
 3211 E. BARBER VALLEY Dr. BOISE,  
 IDAHO 83716

Revision Schedule		
Revision Number	Revision Description	Revision Date
2	REVISED CONCERNING SIMSONA SUBMITTAL #02	06-06-2022
3	REVISED CONCERNING SUBMITTAL#03 COMMENTS	07-12-2022
4	REVISED CONCERNING SUBMITTAL#05 COMMENTS	07-27-2022
8	DESIGN CALCULATION DETAILS ADDED	08-26-2022

**E39, E40 STOREFRONT DETAILS**

PROJECT NUMBER SIM-37

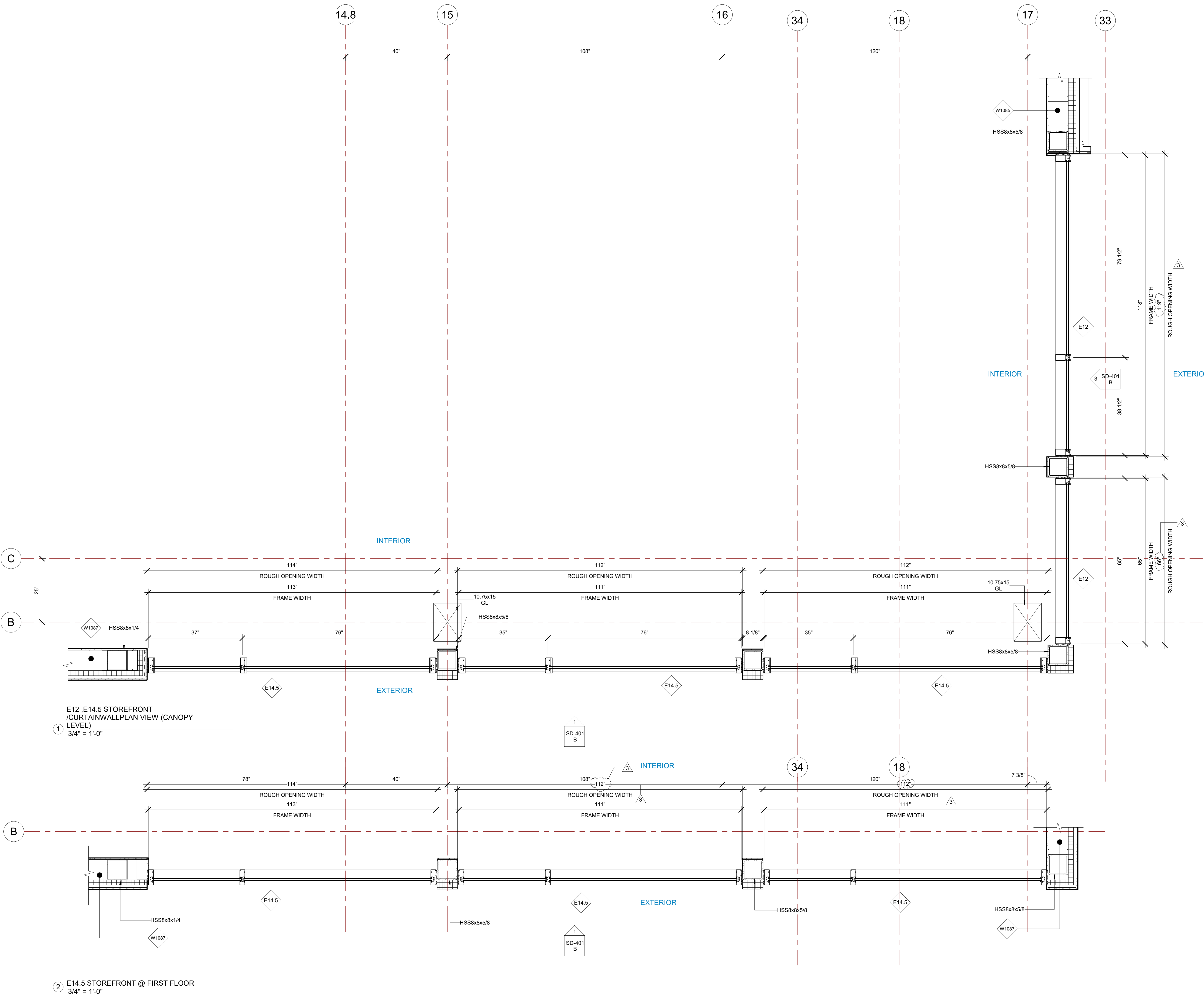
DATE 08-26-2022

Drawn by AC/AG/AY/SS

Checked by AP

SD-319

SCALE- 3/4" = 1'-0"



1 E12, E14.5 STOREFRONT (CURTAINWALL PLAN VIEW (CANOPY LEVEL))  
3/4" = 1'-0"

2 E14.5 STOREFRONT @ FIRST FLOOR  
3/4" = 1'-0"

BIM ARCHITECTS AND ENGINEERS  
**SIMSONA CORP.**  
 1451 Rockville Pike, Suite #250,  
 Rockville, MD 20850  
 Phone : 301-408-8553  
 Email: raj@simsona.com  
 www.simsonacadd.com

PROJECT NAME  
**IDAHO OUTDOOR FIELDHOUSE**  
 3211 E. BARBER VALLEY Dr. BOISE,  
 IDAHO 83716

Revision Schedule		
Revision Number	Revision Description	Revision Date
3	REVISED CONCERNING SUBMITTAL#03 COMMENTS	07-12-2022

**E12, E14.5 PLAN VIEW**

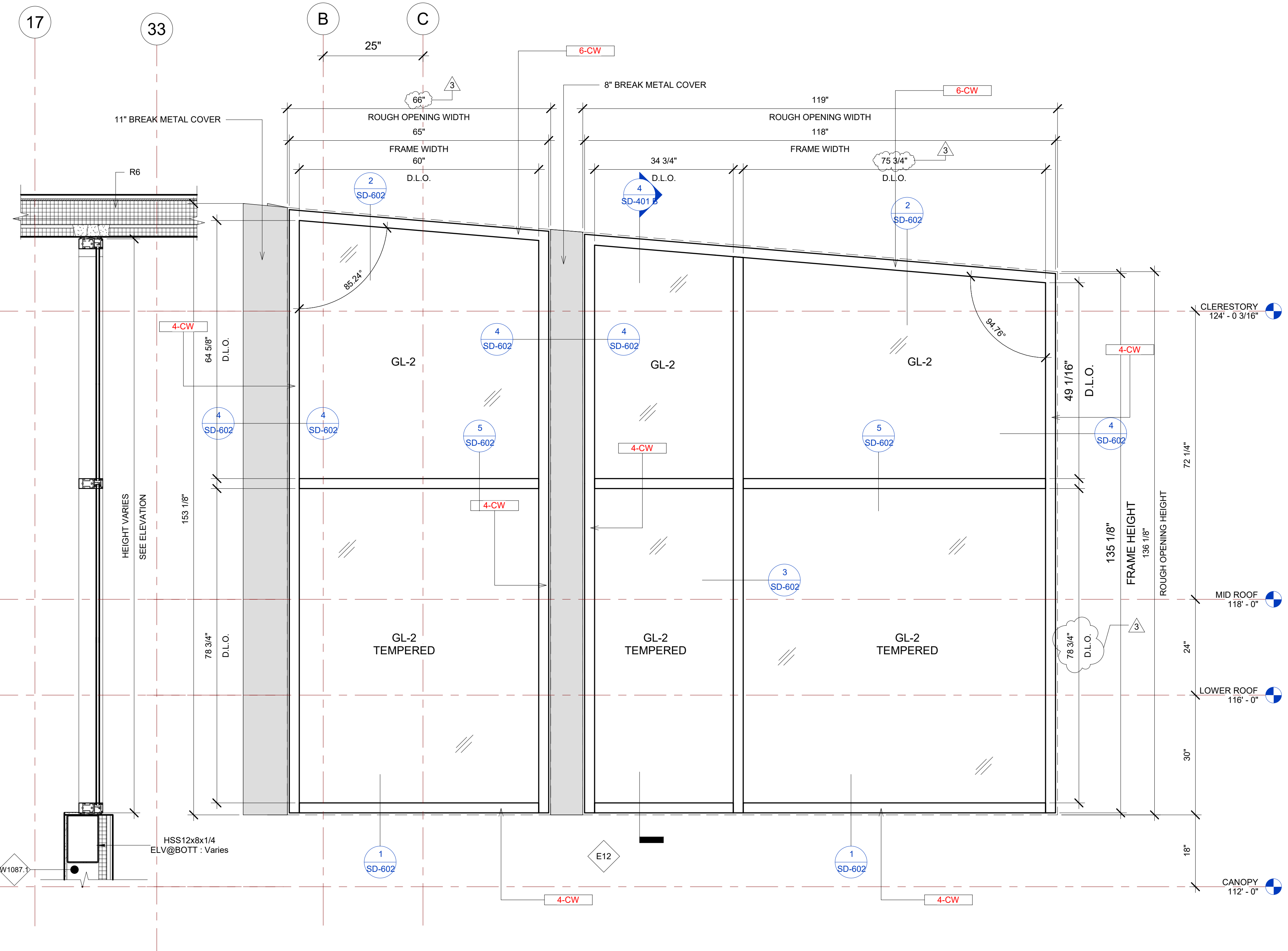
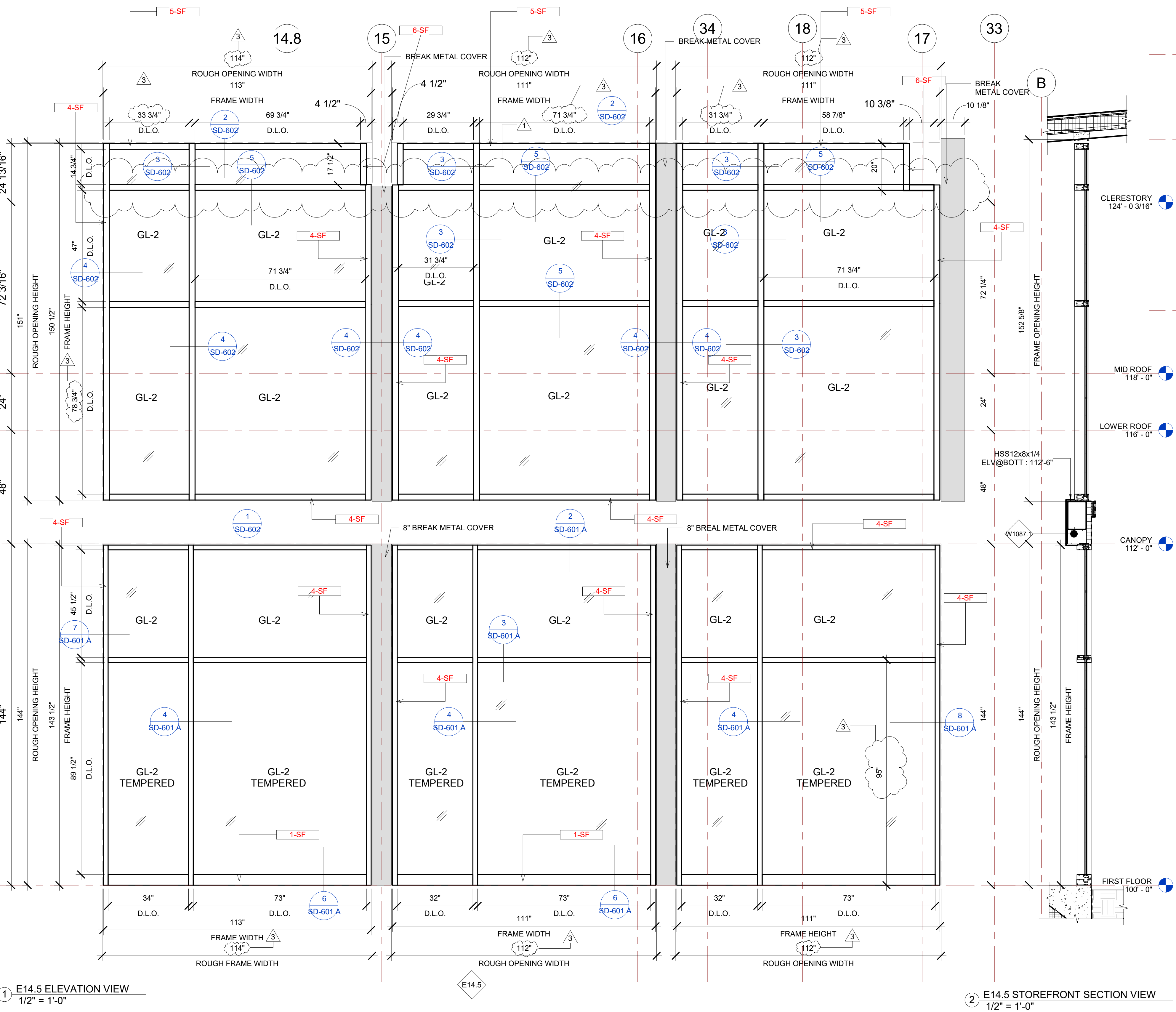
PROJECT NUMBER	SIM-37	<b>SD-401 A</b>
DATE	08-26-2022	
Drawn by	AC/AG/AY/SS	SCALE- 3/4" = 1'-0"
Checked by	AP	

E14.5 STOREFRONT SCHEDULE

NAME	FRAME SIZE		FRAME FINISHES				FRAME SPECIFICATION	
	FRAME LENGTH	FRAME HEIGHT	MFR.	SERIES	PANEL MATERIAL	FINISHES	MULLION SIZE	GLAZING TYPE
<b>FIRST FLOOR</b>								
E14.5	9' - 5"	11' - 11 1/2"	OBE	6000 XT	ALUMINIUM	ANODIZED DARK BRONZE	2" x 6"	GL-2
E14.5	9' - 3"	11' - 11 1/2"	OBE	6000 XT	ALUMINIUM	ANODIZED DARK BRONZE	2" x 6"	GL-2
E14.5	9' - 3"	11' - 11 1/2"	OBE	6000 XT	ALUMINIUM	ANODIZED DARK BRONZE	2" x 6"	GL-2
<b>CANOPY</b>								
E14.5	9' - 5"	12' - 6 1/2"	OBE	RELIANCE	ALUMINIUM	ANODIZED DARK BRONZE	2 1/2" x 6"	GL-2
E14.5	9' - 3"	12' - 6 1/2"	OBE	RELIANCE	ALUMINIUM	ANODIZED DARK BRONZE	2 1/2" x 6"	GL-2
E14.5	9' - 3"	12' - 6 1/2"	OBE	RELIANCE	ALUMINIUM	ANODIZED DARK BRONZE	2 1/2" x 6"	GL-2
Grand total: 6								

IDAHO CONNECTION DETAILS

TAG	DESCRIPTION
1-SF	ANCHORAGE INTO CONCRETE=USE (2) 3/8" DIA. SIMPSON TITEN HD SCREW ANCHOR WITH 2-1/2" NOMINAL DEPTH, INSTALLATION PER ICC-ES ESR-2713
4-CW	EDGE MULLION ANCHORAGE INTO STRUCTURAL STEEL=USE (2) ITW BUILDEX TEKS 12-24 TEKS/ 5 SCREW @EA SIDE OF MULLION WITH 3" MIN. SPACING, 1" MIN EDGE DISTANCE, 1/8" MIN. STEEL THICKNESS, INSTALLATION PER ICC-ES ESR-1976
4-SF	EDGE MULLION ANCHORAGE INTO STRUCTURAL STEEL=USE (2) ITW BUILDEX TEKS 12-24 TEKS/ 5 SCREW @EA SIDE OF MULLION WITH 3" MIN. SPACING, 1" MIN EDGE DISTANCE, 1/8" MIN. STEEL THICKNESS, INSTALLATION PER ICC-ES ESR-1976
5-SF	ANCHORAGE INTO METAL DECKING=USE (2) ITW BUILDEX TEKS 12-24 TEKS/ 5 SCREW @EA SIDE OF MULLION WITH 3" MIN. SPACING, 1" MIN EDGE DISTANCE, 0.048" MIN. STEEL THICKNESS, INSTALLATION PER ICC-ES ESR-1976
6-CW	ANCHORAGE INTO METAL DECKING=USE (2) ITW BUILDEX TEKS 12-24 TEKS/ 5 SCREW @EA SIDE OF MULLION WITH 3" MIN. SPACING, 1" MIN EDGE DISTANCE, 0.048" MIN. STEEL THICKNESS, INSTALLATION PER ICC-ES ESR-1976
6-SF	ANCHORAGE INTO WOOD=(2) 3/8" DIA. LAG SCREW WITH 3" PENETRATION DEPTH



E12 CURTAINWALL SCHEDULE

NAME	FRAME SIZE		FRAME FINISHES				FRAME SPECIFICATION	
	FRAME LENGTH	FRAME HEIGHT	MFR.	SERIES	PANEL MATERIAL	FINISHES	MULLION SIZE	GLAZING TYPE
E12	5' - 5"	VARIABLES	OBE	RELIANCE	ALUMINIUM	ANODIZED DARK BRONZE	2 1/2" x 6"	GL-2
E12	9' - 10"	VARIABLES	OBE	RELIANCE	ALUMINIUM	ANODIZED DARK BRONZE	2 1/2" x 6"	GL-2
Grand total: 2								

GLASS SPECIFICATIONS

GL-1	1/4" CLEAR (TEMPERED WHERE REQUIRED/INDICATED)
GL-2	1" OA, 1/4" CLEAR, SNX 51/23, 1/2" BLACK SPACER, 1/4" CLEAR (TEMPERED WHERE REQUIRED)
GL-3	1" OA, 1/4" CLEAR, SNX 51/23, 1/2" BLACK SPACER, 1/4" CLEAR SOLID BLACK FRIT (SX2439) #4 (TEMP WHERE REQUIRED)
GL-4	1" OA, 1/4" CLEAR, SNX 51/23, 1/2" BLACK SPACER, 9/16" .060 WHITE DIFFUSED LAM/ ACID ETCH FRIT

BIM ARCHITECTS AND ENGINEERS  
**SIMSONA CORP.**  
 1451 Rockville Pike, Suite #250,  
 Rockville, MD 20850  
 Phone : 301-408-8553  
 Email: raj@simsona.com  
 www.simsonacadd.com

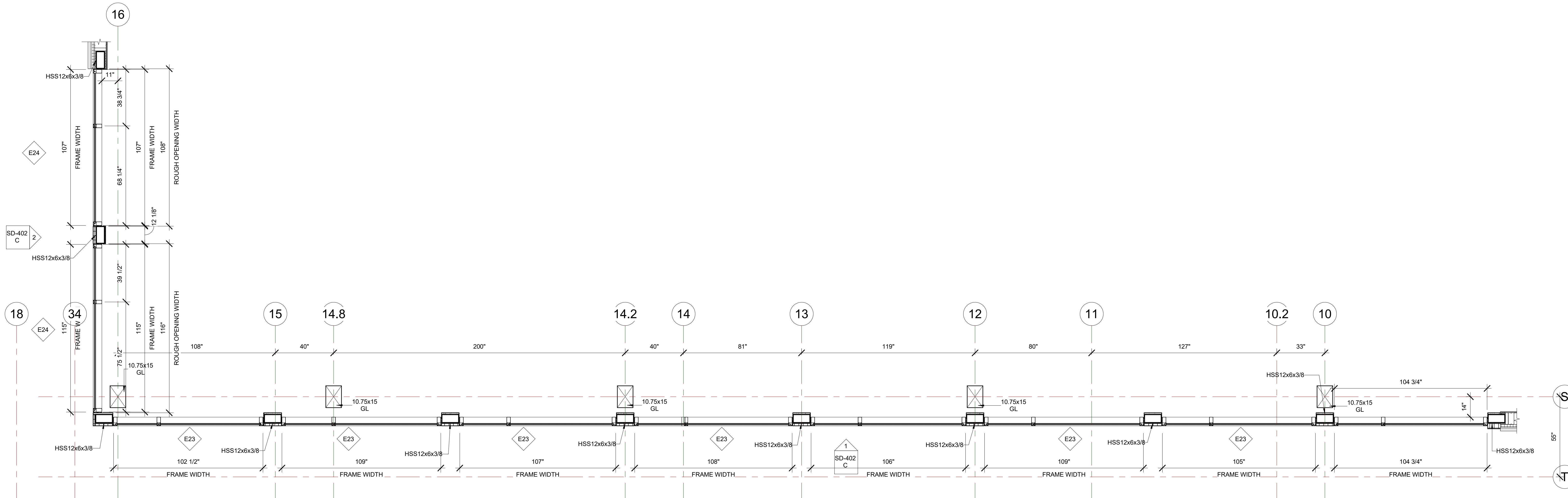
PROJECT NAME  
**IDAHO OUTDOOR FIELDHOUSE**  
 3211 E. BARBER VALLEY Dr. BOISE,  
 IDAHO 83716

Revision Schedule

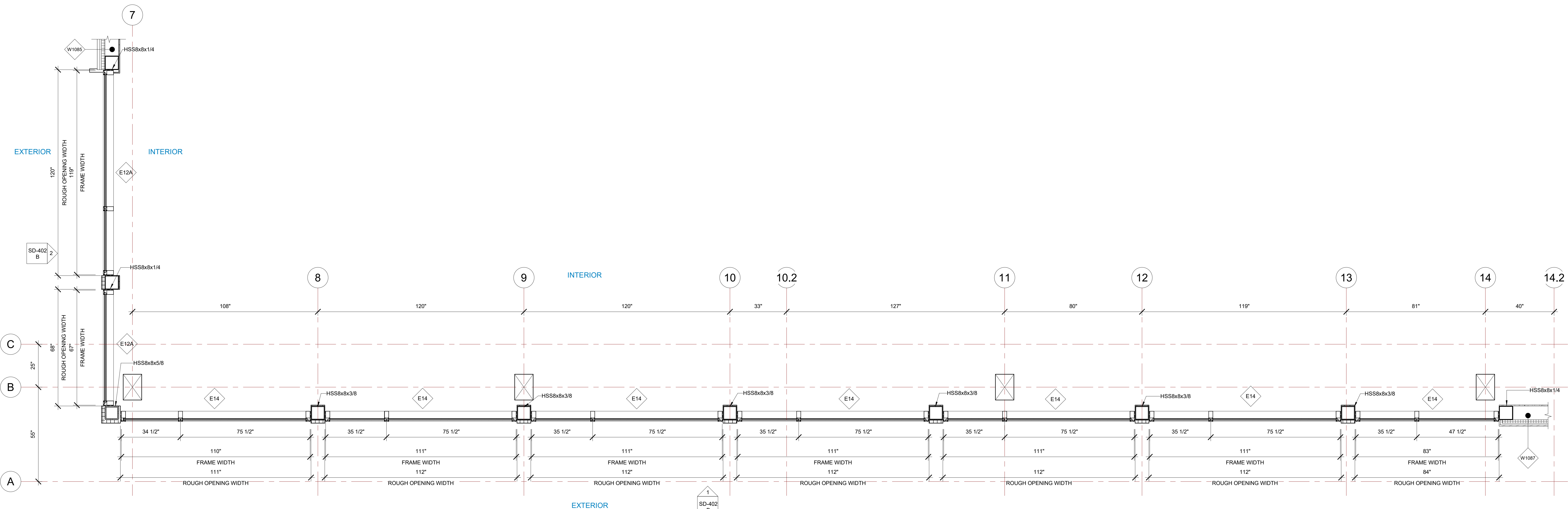
Revision Number	Revision Description	Revision Date
1	REVISED CONCERNING SIMSONA SUBMITTAL #01	06-02-2022
3	REVISED CONCERNING SUBMITTAL#03 COMMENTS	07-12-2022
8	DESIGN CALCULATION DETAILS ADDED	08-26-2022

E12, E14.5 ELEVATION VIEW  
 PROJECT NUMBER SIM-37  
 DATE 08-26-2022  
 Drawn by AC/AG/AY/SS  
 Checked by AP  
**SD-401 B**  
 SCALE-As indicated



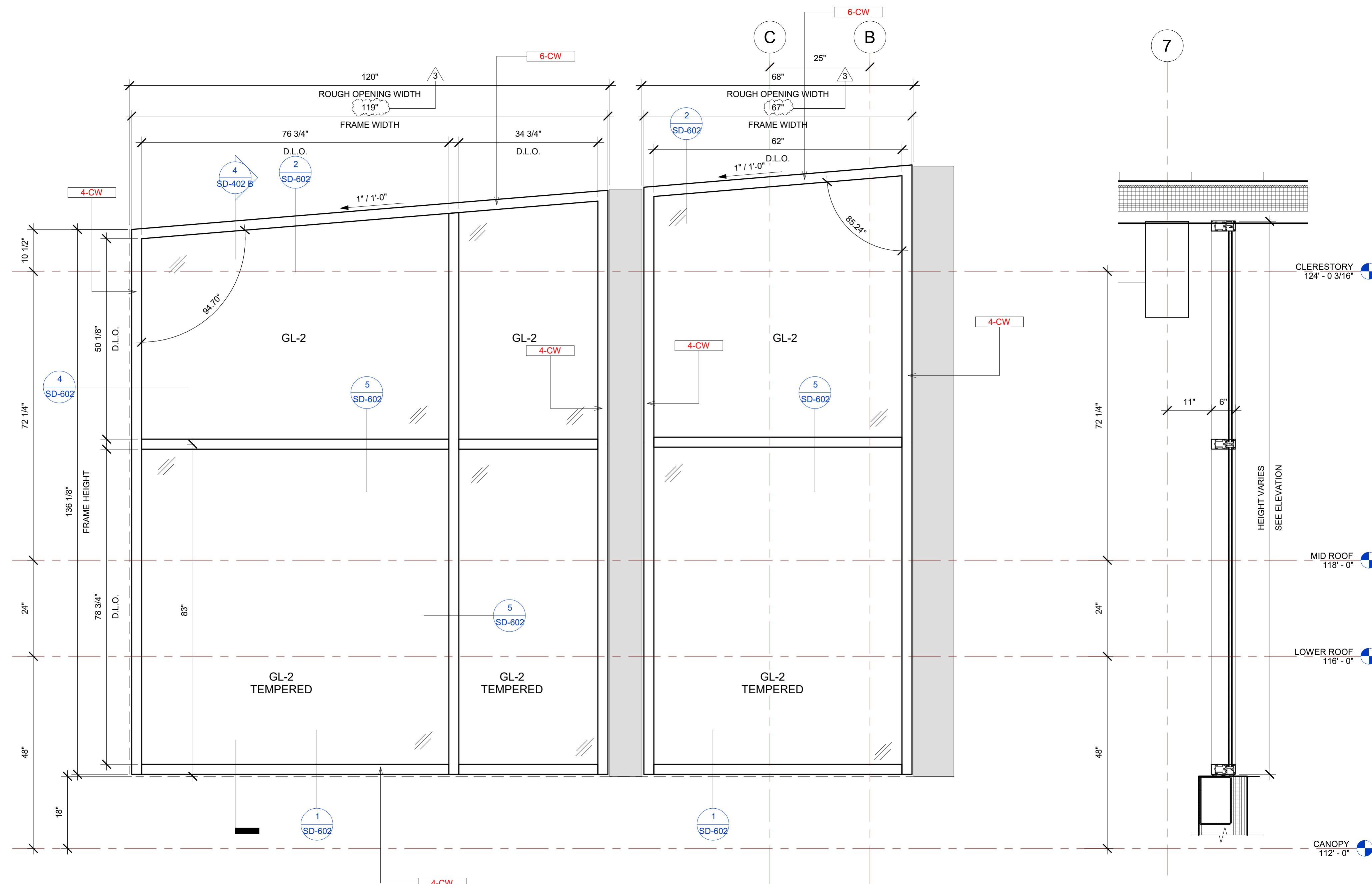


E23, E24 @ CLERESTORY LEVEL PLAN VIEW  
 3/8" = 1'-0"



E12A, E14 PLAN VIEW  
 1/2" = 1'-0"

Revision Schedule		
Revision Number	Revision Description	Revision Date



GLASS SPECIFICATIONS	
GL-1	1/4" CLEAR (TEMPERED WHERE REQUIRED/INDICATED)
GL-2	1" OA, 1/4" CLEAR, SNX 51/23, 1/2" BLACK SPACER, 1/4" CLEAR (TEMPERED WHERE REQUIRED)
GL-3	1" OA, 1/4" CLEAR, SNX 51/23, 1/2" BLACK SPACER, 1/4" CLEAR SOLID BLACK FRIT (SX2439) #4 (TEMP WHERE REQUIRED)
GL-4	1" OA, 1/4" CLEAR, SNX 51/23, 1/2" BLACK SPACER, 9/16" .060 WHITE DIFFUSED LAM/ ACID ETCH FRIT

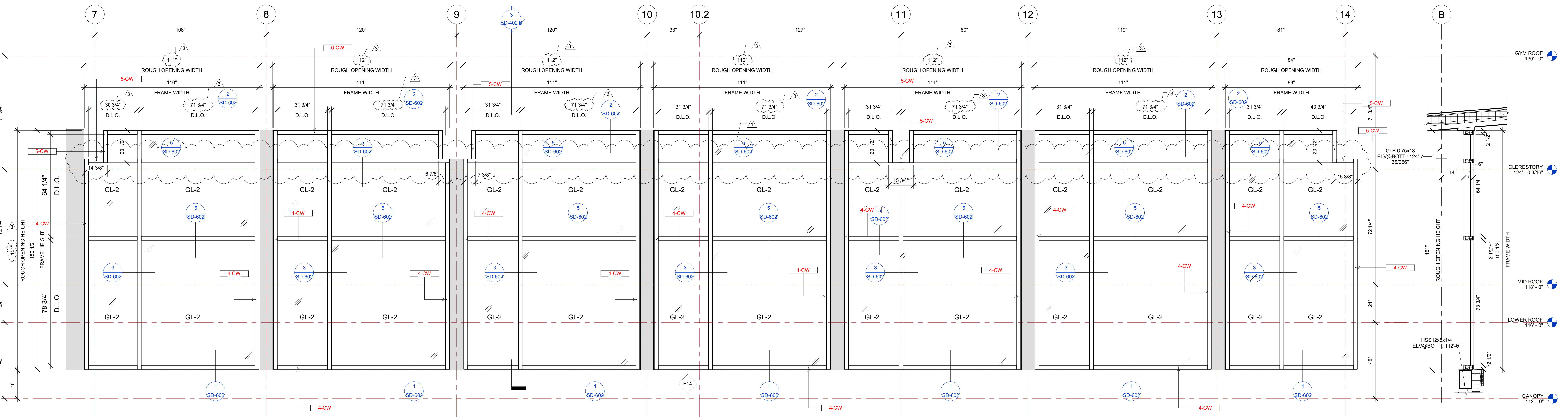
E14 CURTAINWALL SCHEDULE									
NAME	FRAME SIZE		FRAME FINISHES				FRAME SPECIFICATION		
	FRAME LENGTH	FRAME HEIGHT	MFR.	SERIES	PANEL MATERIAL	FINISHES	MULLION SIZE	GLAZING TYPE	
E14	9' - 2"	12' - 6 1/2"	OBE	RELIANCE	ALUMINIUM	ANODIZED DARK BRONZE	2 1/2" x 6"	GL-2	
E14	9' - 3"	12' - 6 1/2"	OBE	RELIANCE	ALUMINIUM	ANODIZED DARK BRONZE	2 1/2" x 6"	GL-2	
E14	9' - 3"	12' - 6 1/2"	OBE	RELIANCE	ALUMINIUM	ANODIZED DARK BRONZE	2 1/2" x 6"	GL-2	
E14	9' - 3"	12' - 6 1/2"	OBE	RELIANCE	ALUMINIUM	ANODIZED DARK BRONZE	2 1/2" x 6"	GL-2	
E14	6' - 11"	12' - 6 1/2"	OBE	RELIANCE	ALUMINIUM	ANODIZED DARK BRONZE	2 1/2" x 6"	GL-2	

E12A CURTAINWALL SCHEDULE									
NAME	FRAME SIZE		FRAME FINISHES				FRAME SPECIFICATION		
	FRAME LENGTH	FRAME HEIGHT	MFR.	SERIES	PANEL MATERIAL	FINISHES	MULLION SIZE	GLAZING TYPE	
E12A	5' - 7"	VARIABLES	OBE	RELIANCE	ALUMINIUM	ANODIZED DARK BRONZE	2 1/2" x 6"	GL-2	
E12A	9' - 11"	VARIABLES	OBE	RELIANCE	ALUMINIUM	ANODIZED DARK BRONZE	2 1/2" x 6"	GL-2	

IDAHO CONNECTION DETAILS	
TAG	DESCRIPTION
4-CW	EDGE MULLION ANCHORAGE INTO STRUCTURAL STEEL-USE (2) ITW BUILDEX TEKS 12-24 TEKS/ 5 SCREW @EA SIDE OF MULLION WITH 3" MIN. SPACING, 1" MIN EDGE DISTANCE, 1/8" MIN. STEEL THICKNESS, INSTALLATION PER ICC-ES ESR-1976
5-CW	ANCHORAGE INTO WOOD=(2) 3/8" DIA. LAG SCREW WITH 3" PENETRATION DEPTH
6-CW	ANCHORAGE INTO METAL DECKING=USE (2) ITW BUILDEX TEKS 12-24 TEKS/ 5 SCREW @EA SIDE OF MULLION WITH 3" MIN. SPACING, 1" MIN EDGE DISTANCE, 0.048" MIN. STEEL THICKNESS, INSTALLATION PER ICC-ES ESR-1976

2 E12A ELEVATION VIEW 3/4" = 1'-0"

4 E12A CURTAIN WALL SECTION VIEW 3/4" = 1'-0"



1 E14 ELEVATION VIEW 1/2" = 1'-0"

3 E14 CW SECTION VIEW 1/2" = 1'-0"

BIM ARCHITECTS AND ENGINEERS

**SIMSONA CORP.**  
 1451 Rockville Pike, Suite #250,  
 Rockville, MD 20850  
 Phone : 301-408-8553  
 Email: raj@simsona.com  
 www.simsonacadd.com

PROJECT NAME

**IDAHO OUTDOOR FIELDHOUSE**

3211 E. BARBER VALLEY Dr. BOISE,  
 IDAHO 83716

Revision Schedule		
Revision Number	Revision Description	Revision Date
1	REVISED CONCERNING SIMSONA SUBMITTAL #01	06-02-2022
3	REVISED CONCERNING SUBMITTAL#03 COMMENTS	07-12-2022
8	DESIGN CALCULATION DETAILS ADDED	08-26-2022

**E14, E12A ELEVATIONS AND SECTION DETAILS**

PROJECT NUMBER SIM-37

DATE 08-26-2022

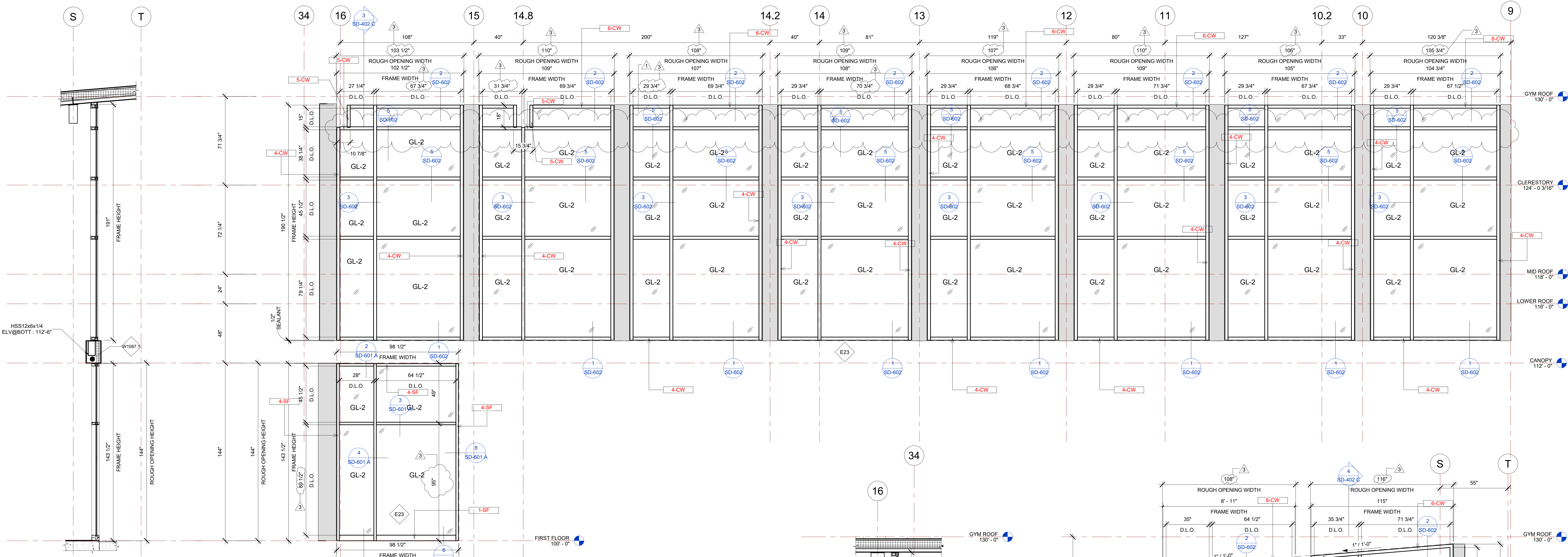
Drawn by AC/AG/AY/SS

Checked by AP

**SD-402 B**

SCALE-As indicated

PLOT CREATED: 08-26-2022



3 E23 SECTION VIEW  
3/8" = 1'-0"

1 E24 ELEVATION VIEW  
3/8" = 1'-0"

E24 CURTAINWALL SCHEDULE							
NAME	FRAME SIZE		MFR.	SERIES	FRAME FINISHES	FRAME SPECIFICATION	
	FRAME LENGTH	FRAME HEIGHT				MULLION SIZE	GLAZING TYPE
E24	9' - 7"	VARIABLES	OBE	RELIANCE	ALUMINIUM	ANODIZED DARK BRONZE	2 1/2" x 6" GL-2
E24	8' - 11"	VARIABLES	OBE	RELIANCE	ALUMINIUM	ANODIZED DARK BRONZE	2 1/2" x 6" GL-2
Grand total: 2							

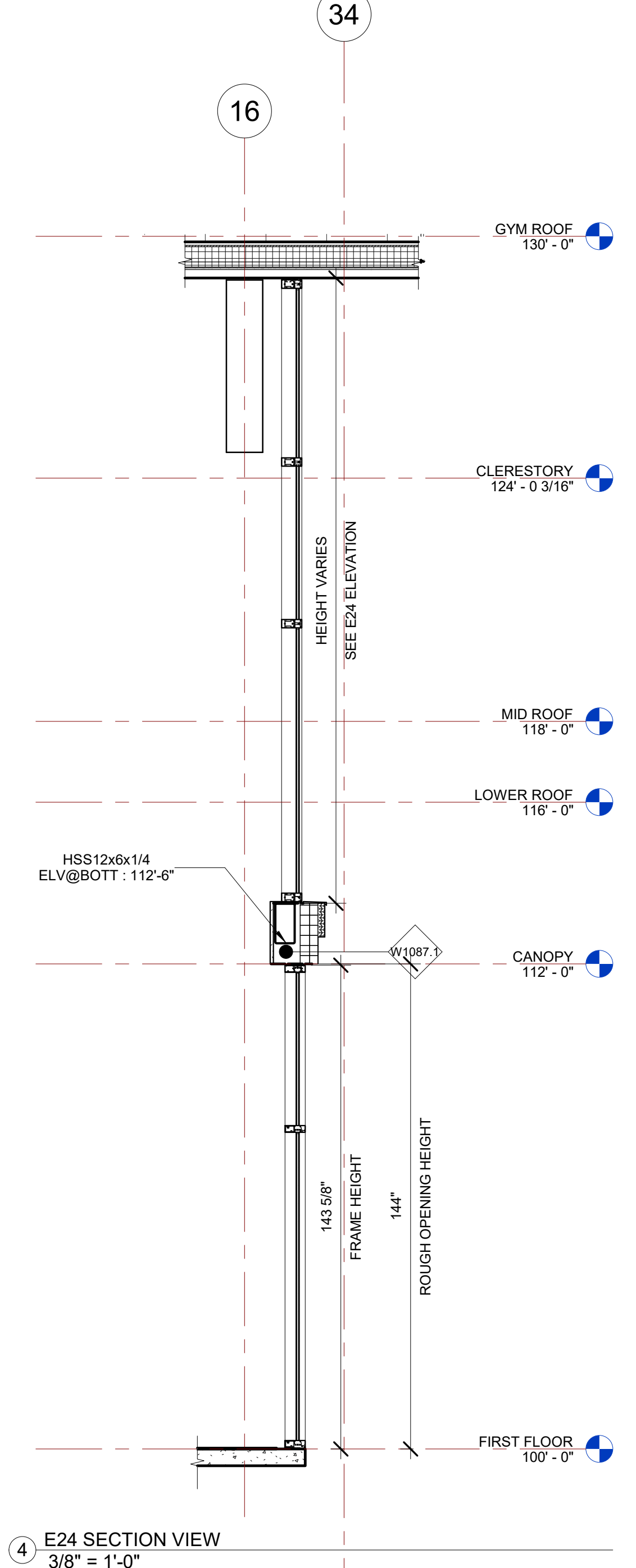
E24 STOREFRONT SCHEDULE							
NAME	FRAME SIZE		MFR.	SERIES	FRAME FINISHES	FRAME SPECIFICATION	
	FRAME LENGTH	FRAME HEIGHT				MULLION SIZE	GLAZING TYPE
E24	9' - 8"	11' - 11 1/2"	OBE	6000 XT	ALUMINIUM	ANODIZED DARK BRONZE	2" x 6" GL-2
Grand total: 1							

E23 CURTAINWALL SCHEDULE							
NAME	FRAME SIZE		MFR.	SERIES	FRAME FINISHES	FRAME SPECIFICATION	
	FRAME LENGTH	FRAME HEIGHT				MULLION SIZE	GLAZING TYPE
E23	8' - 6 1/2"	15' - 10 1/2"	OBE	RELIANCE	ALUMINIUM	ANODIZED DARK BRONZE	2 1/2" x 6" GL-2
E23	9' - 1"	15' - 10 1/2"	OBE	RELIANCE	ALUMINIUM	ANODIZED DARK BRONZE	2 1/2" x 6" GL-2
E23	8' - 11"	15' - 10 1/2"	OBE	RELIANCE	ALUMINIUM	ANODIZED DARK BRONZE	2 1/2" x 6" GL-2
E23	9' - 0"	15' - 10 1/2"	OBE	RELIANCE	ALUMINIUM	ANODIZED DARK BRONZE	2 1/2" x 6" GL-2
E23	8' - 10"	15' - 10 1/2"	OBE	RELIANCE	ALUMINIUM	ANODIZED DARK BRONZE	2 1/2" x 6" GL-2
E23	9' - 1"	15' - 10 1/2"	OBE	RELIANCE	ALUMINIUM	ANODIZED DARK BRONZE	2 1/2" x 6" GL-2
E23	8' - 9"	15' - 10 1/2"	OBE	RELIANCE	ALUMINIUM	ANODIZED DARK BRONZE	2 1/2" x 6" GL-2
E23	8' - 8 3/4"	15' - 10 1/2"	OBE	RELIANCE	ALUMINIUM	ANODIZED DARK BRONZE	2 1/2" x 6" GL-2
Grand total: 8							

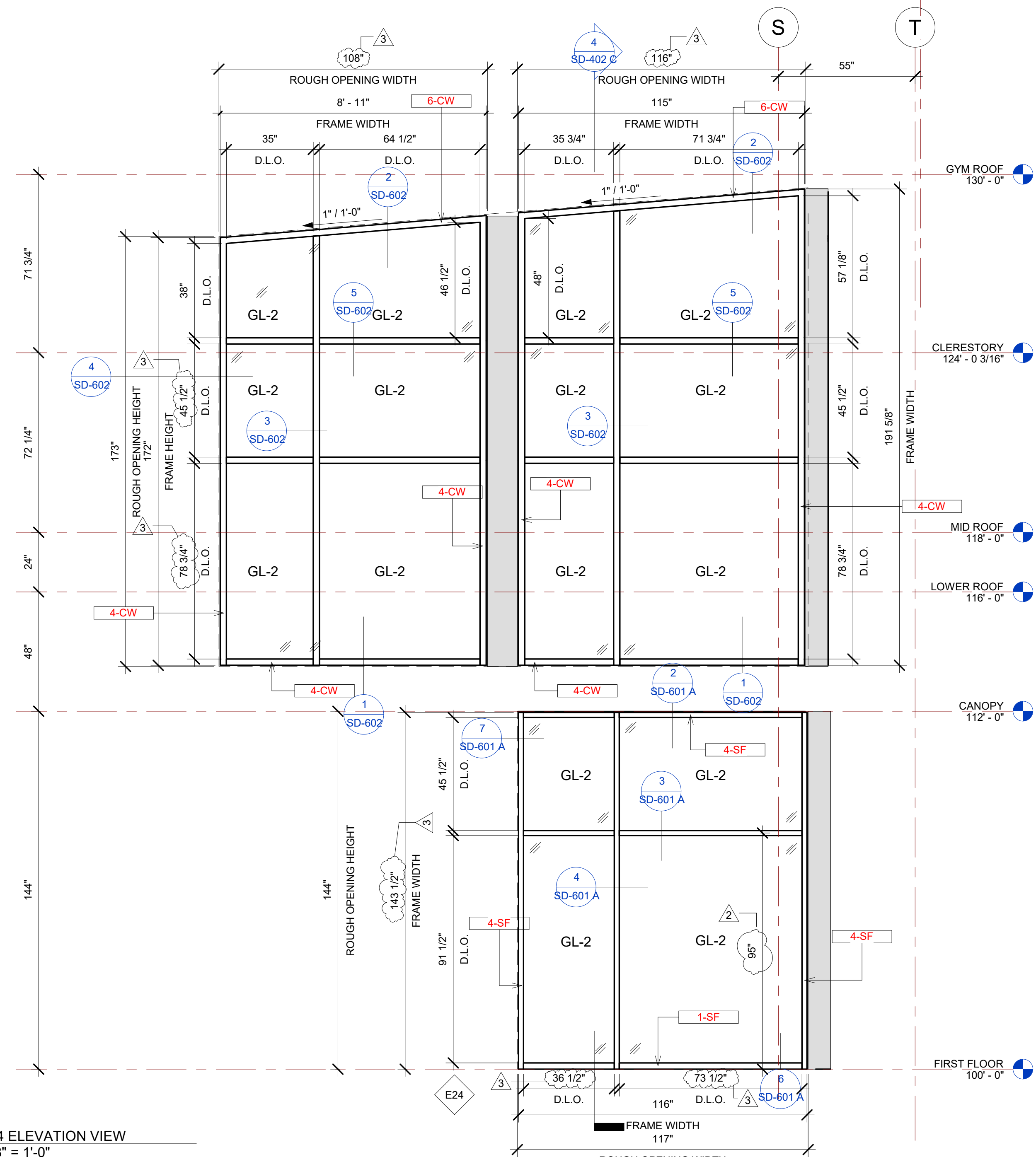
E23 STOREFRONT SCHEDULE							
NAME	FRAME SIZE		MFR.	SERIES	FRAME FINISHES	FRAME SPECIFICATION	
	FRAME LENGTH	FRAME HEIGHT				MULLION SIZE	GLAZING TYPE
E23	8' - 2 1/2"	11' - 11 1/2"	OBE	6000 XT	ALUMINIUM	ANODIZED DARK BRONZE	2" x 6" GL-2
Grand total: 1							

IDAHO CONNECTION DETAILS	
TAG	DESCRIPTION
1-SF	ANCHORAGE INTO CONCRETE =USE (2) 3/8" DIA. SIMPSON TITEN HD SCREW ANCHOR WITH 2-1/2" NOMINAL DEPTH, INSTALLATION PER ICC-ES ESR-2713
4-CW	EDGE MULLION ANCHORAGE INTO STRUCTURAL STEEL=USE (2) ITW BUILDEX TEKS 12-24 TEKS/ 5 SCREW @EA SIDE OF MULLION WITH 3" MIN. SPACING, 1" MIN EDGE DISTANCE, 1/8" MIN. STEEL THICKNESS, INSTALLATION PER ICC-ES ESR-1976
4-SF	EDGE MULLION ANCHORAGE INTO STRUCTURAL STEEL=USE (2) ITW BUILDEX TEKS 12-24 TEKS/ 5 SCREW @EA SIDE OF MULLION WITH 3" MIN. SPACING, 1" MIN EDGE DISTANCE, 1/8" MIN. STEEL THICKNESS, INSTALLATION PER ICC-ES ESR-1976
5-CW	ANCHORAGE INTO WOOD=(2) 3/8" DIA. LAG SCREW WITH 3" PENETRATION DEPTH
6-CW	ANCHORAGE INTO METAL DECKING=USE (2) ITW BUILDEX TEKS 12-24 TEKS/ 5 SCREW @EA SIDE OF MULLION WITH 3" MIN. SPACING, 1" MIN EDGE DISTANCE, 0.048" MIN. STEEL THICKNESS, INSTALLATION PER ICC-ES ESR-1976

GLASS SPECIFICATIONS	
GL-1	1/4" CLEAR (TEMPERED WHERE REQUIRED/INDICATED)
GL-2	1" OA, 1/4" CLEAR, SNX 51/23, 1/2" BLACK SPACER, 1/4" CLEAR (TEMPERED WHERE REQUIRED)
GL-3	1" OA, 1/4" CLEAR, SNX 51/23, 1/2" BLACK SPACER, 1/4" CLEAR SOLID BLACK FRIT (SX2439) #4 (TEMP WHERE REQUIRED)
GL-4	1" OA, 1/4" CLEAR, SNX 51/23, 1/2" BLACK SPACER, 9/16" .060 WHITE DIFFUSED LAMI/ ACID ETCH FRIT



4 E24 SECTION VIEW  
3/8" = 1'-0"



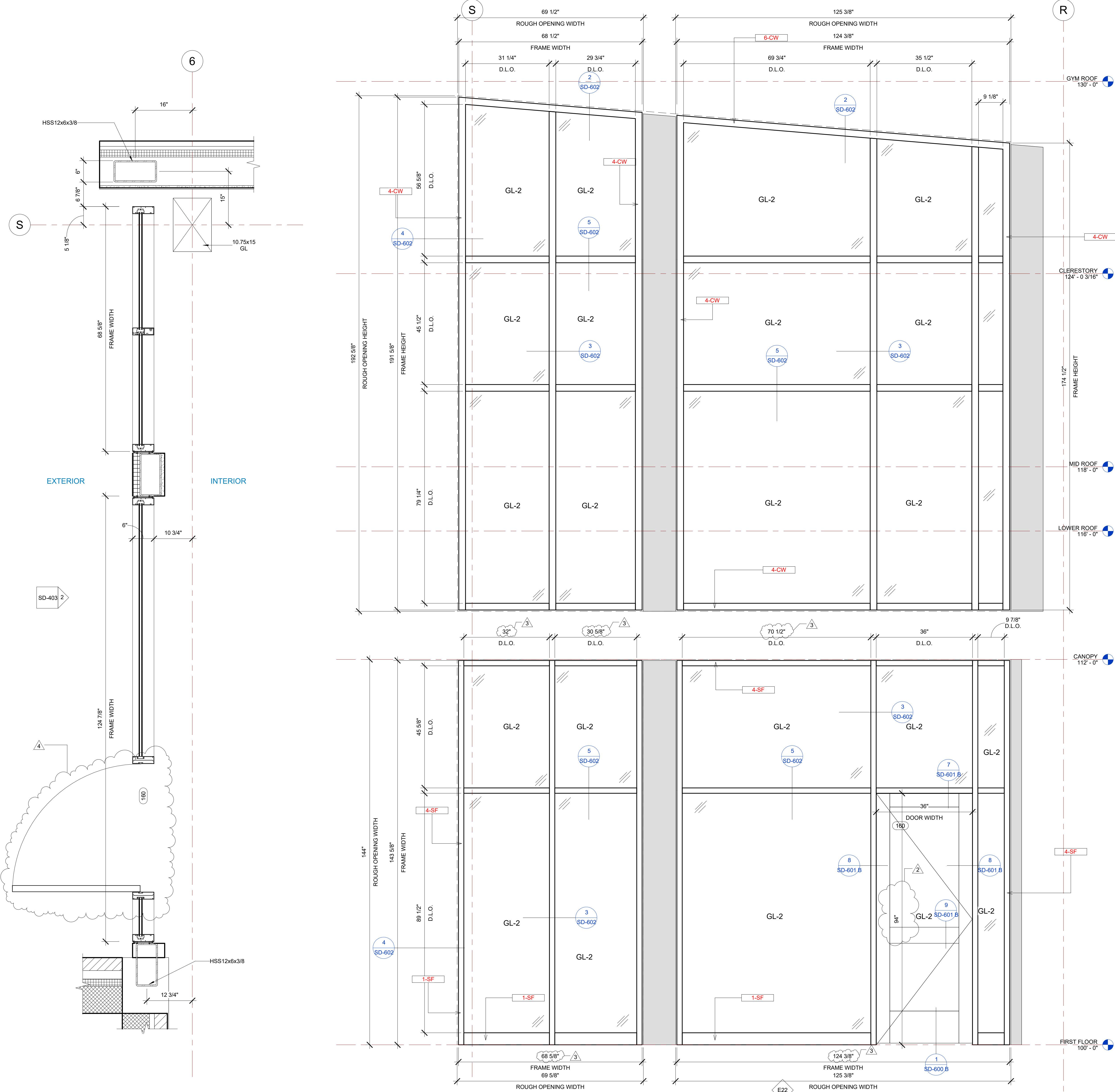
2 E24 ELEVATION VIEW  
3/8" = 1'-0"

BIM ARCHITECTS AND ENGINEERS  
**SIMSONA CORP.**  
 1451 Rockville Pike, Suite #250,  
 Rockville, MD 20850  
 Phone : 301-408-8553  
 Email: raj@simsona.com  
 www.simsonacadd.com

PROJECT NAME  
**IDAHO OUTDOOR FIELDHOUSE**  
 3211 E. BARBER VALLEY Dr. BOISE,  
 IDAHO 83716

Revision Schedule		
Revision Number	Revision Description	Revision Date
1	REVISED CONCERNING SIMSONA SUBMITTAL #01	06-02-2022
2	REVISED CONCERNING SIMSONA SUBMITTAL #02	06-06-2022
3	REVISED CONCERNING SUBMITTAL#03 COMMENTS	07-12-2022
8	DESIGN CALCULATION DETAILS ADDED	08-26-2022

**E23, E24 DETAILS**  
 PROJECT NUMBER SIM-37  
 DATE 08-26-2022  
 Drawn by AC/AG/AY/SS  
 Checked by AP  
**SD-402 C**  
 SCALE-As indicated



E22 STOREFRONT SCHEDULE											
NAME	FRAME SIZE		FRAME FINISHES				FRAME SPECIFICATION		DOOR TAG	DOOR SIZE	HARDWARE GROUP
	FRAME LENGTH	FRAME HEIGHT	MFR.	SERIES	PANEL MATERIAL	FINISHES	MULLION SIZE	GLAZING TYPE			
E22	10' - 4 3/8"	11' - 11 5/8"	OBE	6000 XT	ALUMINIUM	ANODIZED DARK BRONZE	2" x 6"	GL-2	160	3'-0"x7'-10"	#6
E22	5' - 8 5/8"	11' - 11 5/8"	OBE	6000 XT	ALUMINIUM	ANODIZED DARK BRONZE	2" x 6"	GL-2			
Grand total: 2											

E22 CURTAINWALL SCHEDULE											
NAME	FRAME SIZE		FRAME FINISHES				FRAME SPECIFICATION		DOOR TAG	DOOR SIZE	HARDWARE GROUP
	FRAME LENGTH	FRAME HEIGHT	MFR.	SERIES	PANEL MATERIAL	FINISHES	MULLION SIZE	GLAZING TYPE			
E22	10' - 4 3/8"	VARIES	OBE	RELIANCE	ALUMINIUM	ANODIZED DARK BRONZE	2 1/2" x 6"	GL-2			
E22	5' - 8 1/2"	VARIES	OBE	RELIANCE	ALUMINIUM	ANODIZED DARK BRONZE	2 1/2" x 6"	GL-2			
Grand total: 2											

IDAHO CONNECTION DETAILS	
TAG	DESCRIPTION
1-SF	ANCHORAGE INTO CONCRETE =USE (2) 3/8" DIA. SIMPSON TITEN HD SCREW ANCHOR WITH 2-1/2" NOMINAL DEPTH, INSTALLATION PER ICC-ES ESR-2713
4-CW	EDGE MULLION ANCHORAGE INTO STRUCTURAL STEEL=USE (2) ITW BUILDEX TEKS 12-24 TEKS/ 5 SCREW @EA SIDE OF MULLION WITH 3" MIN. SPACING, 1" MIN EDGE DISTANCE, 1/8" MIN. STEEL THICKNESS, INSTALLATION PER ICC-ES ESR-1976
4-SF	EDGE MULLION ANCHORAGE INTO STRUCTURAL STEEL=USE (2) ITW BUILDEX TEKS 12-24 TEKS/ 5 SCREW @EA SIDE OF MULLION WITH 3" MIN. SPACING, 1" MIN EDGE DISTANCE, 1/8" MIN. STEEL THICKNESS, INSTALLATION PER ICC-ES ESR-1976
6-CW	ANCHORAGE INTO METAL DECKING=USE (2) ITW BUILDEX TEKS 12-24 TEKS/ 5 SCREW @EA SIDE OF MULLION WITH 3" MIN. SPACING, 1" MIN EDGE DISTANCE, 0.048" MIN. STEEL THICKNESS, INSTALLATION PER ICC-ES ESR-1976

GLASS SPECIFICATIONS	
GL-1	1/4" CLEAR (TEMPERED WHERE REQUIRED/INDICATED)
GL-2	1" OA, 1/4" CLEAR, SNX 51/23, 1/2" BLACK SPACER, 1/4" CLEAR (TEMPERED WHERE REQUIRED)
GL-3	1" OA, 1/4" CLEAR, SNX 51/23, 1/2" BLACK SPACER, 1/4" CLEAR SOLID BLACK FRIT (SX2439) #4 (TEMP WHERE REQUIRED)
GL-4	1" OA, 1/4" CLEAR, SNX 51/23, 1/2" BLACK SPACER, 9/16" .060 WHITE DIFFUSED LAMI/ ACID ETCH FRIT

1 E22 PLAN VIEW@ FIRST FLOOR  
1" = 1'-0"

2 E22 ELEVATION VIEW  
3/4" = 1'-0"

BIM ARCHITECTS AND ENGINEERS  
**SIMSONA CORP.**  
 1451 Rockville Pike, Suite #250,  
 Rockville, MD 20850  
 Phone : 301-408-8553  
 Email: raj@simsona.com  
 www.simsonacadd.com

PROJECT NAME  
**IDAHO OUTDOOR FIELDHOUSE**  
 3211 E. BARBER VALLEY Dr. BOISE,  
 IDAHO 83716

Revision Schedule		
Revision Number	Revision Description	Revision Date
2	REVISED CONCERNING SIMSONA SUBMITTAL #02	06-06-2022
3	REVISED CONCERNING SUBMITTAL#03 COMMENTS	07-12-2022
4	REVISED CONCERNING SUBMITTAL#05 COMMENTS	07-27-2022
8	DESIGN CALCULATION DETAILS ADDED	08-26-2022

**E22 PLAN, ELEVATION**

PROJECT NUMBER SIM-37

DATE 08-26-2022

Drawn by AC/AG/AY/SS

Checked by AP

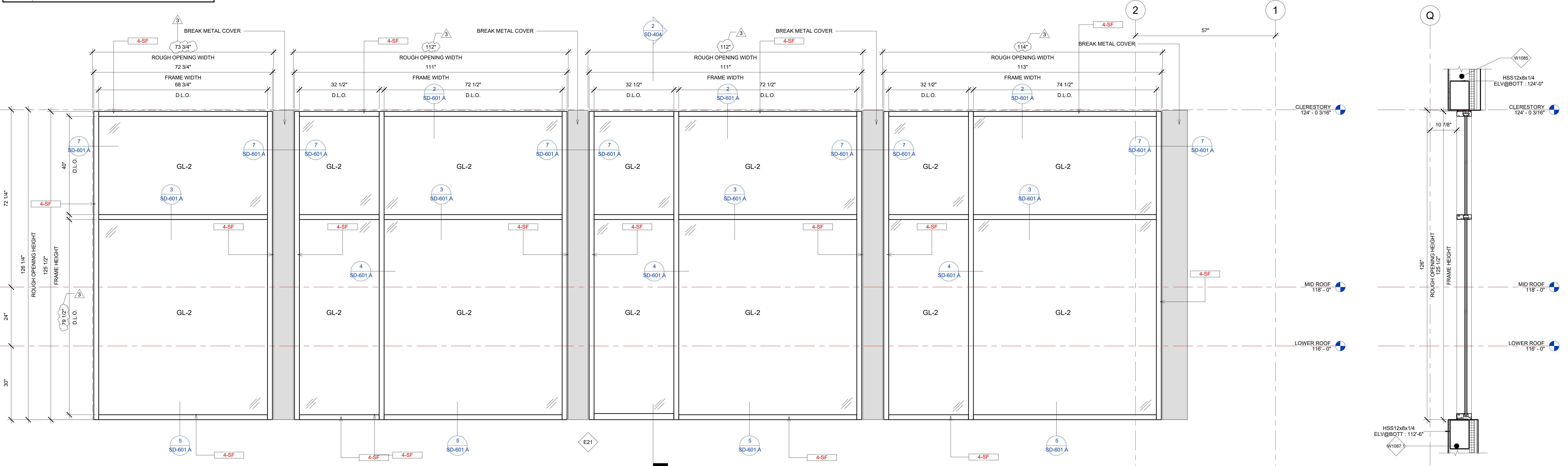
**SD-403**

SCALE-As indicated

E21 STOREFRONT SCHEDULE								
NAME	FRAME SIZE		FRAME FINISHES				FRAME SPECIFICATION	
	FRAME LENGTH	FRAME HEIGHT	MFR.	SERIES	PANEL MATERIAL	FINISHES	MULLION SIZE	GLAZING TYPE
E21	9' - 5"	10' - 5 1/2"	OBE	6000 XT	ALUMINIUM	ANODIZED DARK BRONZE	2" x 6"	GL-2
E21	9' - 3"	10' - 5 1/2"	OBE	6000 XT	ALUMINIUM	ANODIZED DARK BRONZE	2" x 6"	GL-2
E21	9' - 3"	10' - 5 1/2"	OBE	6000 XT	ALUMINIUM	ANODIZED DARK BRONZE	2" x 6"	GL-2
E21	6' - 0 3/4"	10' - 5 1/2"	OBE	6000 XT	ALUMINIUM	ANODIZED DARK BRONZE	2" x 6"	GL-2
Grand total: 4								

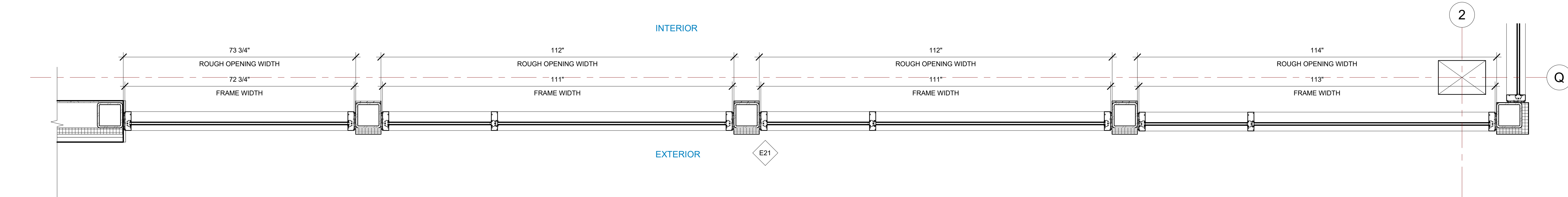
IDAHO CONNECTION DETAILS	
TAG	DESCRIPTION
4-SF	EDGE MULLION ANCHORAGE INTO STRUCTURAL STEEL=USE (2) ITW BUILDDEX TEKS 12-24 TEKS/ 5 SCREW @EA SIDE OF MULLION WITH 3" MIN. SPACING, 1" MIN EDGE DISTANCE, 1/8" MIN. STEEL THICKNESS, INSTALLATION PER ICC-ES ESR-1976

GLASS SPECIFICATIONS	
GL-1	1/4" CLEAR (TEMPERED WHERE REQUIRED/INDICATED)
GL-2	1" OA, 1/4" CLEAR, SNX 51/23, 1/2" BLACK SPACER, 1/4" CLEAR (TEMPERED WHERE REQUIRED)
GL-3	1" OA, 1/4" CLEAR, SNX 51/23, 1/2" BLACK SPACER, 1/4" CLEAR SOLID BLACK FRIT (SX2439) #4 (TEMP WHERE REQUIRED)
GL-4	1" OA, 1/4" CLEAR, SNX 51/23, 1/2" BLACK SPACER, 9/16" .060 WHITE DIFFUSED LAM/ ACID ETCH FRIT



③ E21 STOREFRONT ELEVATION VIEW  
3/4" = 1'-0"

② E21 STOREFRONT SECTION VIEW  
3/4" = 1'-0"



BIM ARCHITECTS AND ENGINEERS  
**SIMSONA CORP.**  
 1451 Rockville Pike, Suite #250,  
 Rockville, MD 20850  
 Phone : 301-408-8553  
 Email: raj@simsona.com  
 www.simsonacadd.com

PROJECT NAME  
**IDAHO OUTDOOR FIELDHOUSE**  
 3211 E. BARBER VALLEY Dr. BOISE,  
 IDAHO 83716

Revision Schedule		
Revision Number	Revision Description	Revision Date
2	REVISED CONCERNING SIMSONA SUBMITTAL #02	06-06-2022
3	REVISED CONCERNING SUBMITTAL#03 COMMENTS	07-12-2022
8	DESIGN CALCULATION DETAILS ADDED	08-26-2022

E21 STOREFRONT DETAILS		
PROJECT NUMBER	SIM-37	SD-404
DATE	08-26-2022	
Drawn by	AY/AP/SS	
Checked by	AP	
		SCALE- 3/4" = 1'-0"

PLOT CREATED: 08-26-2022

STOREFRONT SCHEDULE											
NAME	FRAME SPECIFICATION		FRAME FINISHES				DESCRIPTION		DOOR SPECIFICATIONS		HARDWARE GROUP
	FRAME LENGTH	FRAME HEIGHT	Manufacturer	SERIES	PANEL MATERIAL	FINISHES	MULLION SIZE	GLAZING THICKNESSES	DOOR TAG	DOOR SIZE	

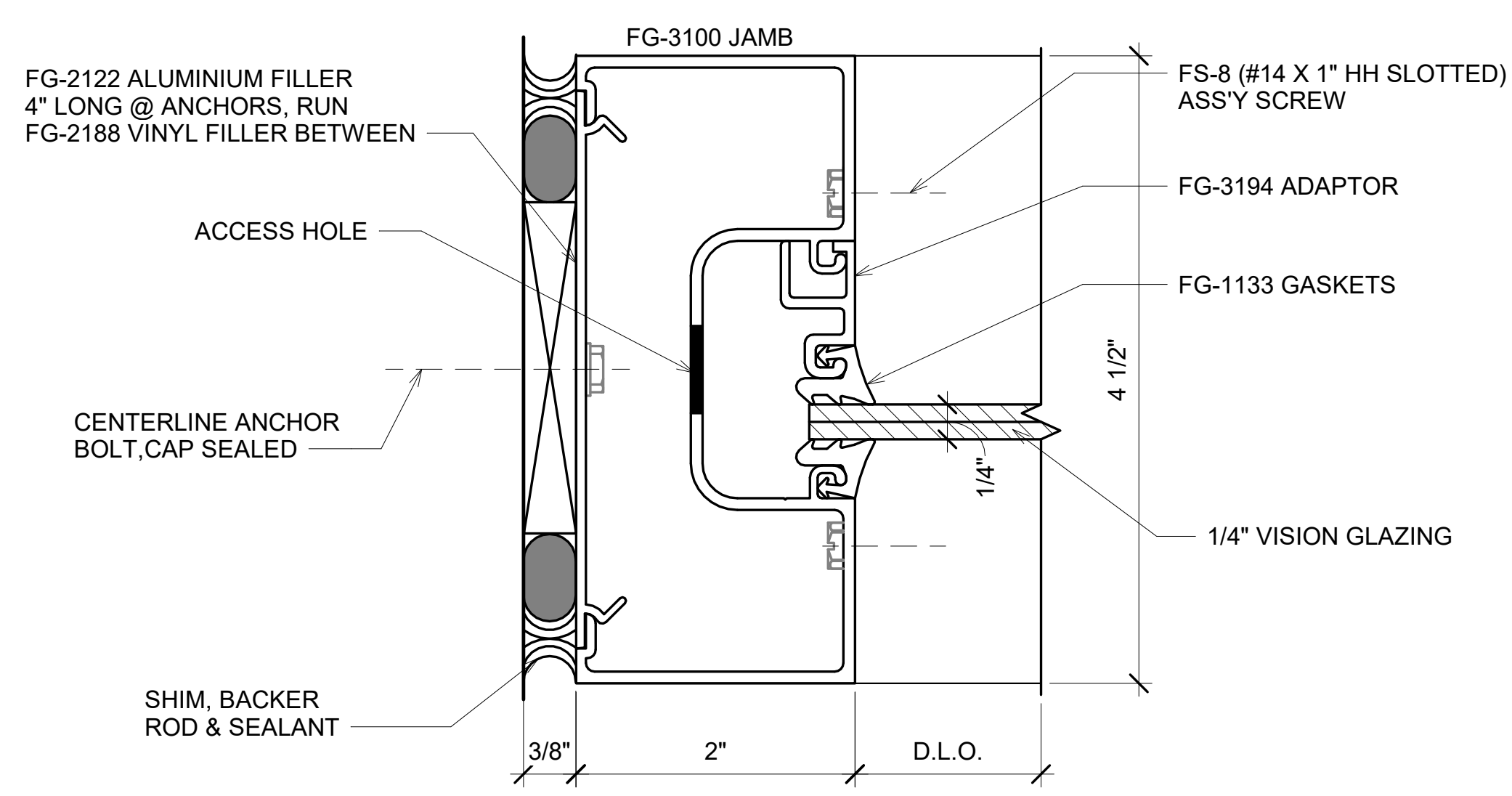
STOREFRONT SCHEDULE											
NAME	FRAME SPECIFICATION		FRAME FINISHES				DESCRIPTION		DOOR SPECIFICATIONS		HARDWARE GROUP
	FRAME LENGTH	FRAME HEIGHT	Manufacturer	SERIES	PANEL MATERIAL	FINISHES	MULLION SIZE	GLAZING THICKNESSES	DOOR TAG	DOOR SIZE	
FIRST FLOOR											
E01	27' - 5"	11' - 11 1/2"	OBE	6000 XT	ALUMINIUM	ANODIZED DARK BRONZE	2" x 6"	GL-2	100A	177" x 93-5/8"	
E02	5' - 4"	11' - 11 1/2"	OBE	6000 XT	ALUMINIUM	ANODIZED DARK BRONZE	2" x 6"	GL-2			
E03	6' - 10 3/8"	5' - 11 1/2"	OBE	6000 XT	ALUMINIUM	ANODIZED DARK BRONZE	2" x 6"	GL-2			
E03	9' - 3 3/4"	5' - 11 1/2"	OBE	6000 XT	ALUMINIUM	ANODIZED DARK BRONZE	2" x 6"	GL-2			
E03	9' - 3 3/4"	5' - 11 1/2"	OBE	6000 XT	ALUMINIUM	ANODIZED DARK BRONZE	2" x 6"	GL-2			
E03	9' - 4 3/8"	5' - 11 1/2"	OBE	6000 XT	ALUMINIUM	ANODIZED DARK BRONZE	2" x 6"	GL-2			
E04	19' - 0"	11' - 11 1/2"	OBE	6000 XT	ALUMINIUM	ANODIZED DARK BRONZE	2" x 6"	GL-2	127A	3'-0"x7'-10" #8	
E05	8' - 10"	11' - 11 1/2"	OBE	6000 XT	ALUMINIUM	ANODIZED DARK BRONZE	2" x 6"	GL-2	103B	3'-0"x7'-10" #3	
E06	11' - 9"	11' - 11 1/2"	OBE	6000 XT	ALUMINIUM	ANODIZED DARK BRONZE	2" x 6"	GL-2			
E07	9' - 5"	8' - 0"	OBE	6000 XT	ALUMINIUM	ANODIZED DARK BRONZE	2" x 6"	GL-2	129B	3'-0"x7'-10" #28	
E08	15' - 11"	3' - 1 1/2"	OBE	6000 XT	ALUMINIUM	ANODIZED DARK BRONZE	2" x 6"	GL-2			
E09	19' - 3 31/32"	11' - 11 1/2"	OBE	6000 XT	ALUMINIUM	ANODIZED DARK BRONZE	2" x 6"	GL-2	136D	3'-0"x7'-10" #6	
E10	5' - 9 7/32"	11' - 11 1/2"	OBE	6000 XT	ALUMINIUM	ANODIZED DARK BRONZE	2" x 6"	GL-2			
E11	26' - 9"	11' - 11 1/2"	OBE	6000 XT	ALUMINIUM	ANODIZED DARK BRONZE	2" x 6"	GL-2	103	6'-0"x7'-10" #3	
E13	16' - 4 1/4"	5' - 11 1/2"	OBE	6000 XT	ALUMINIUM	ANODIZED DARK BRONZE	2" x 6"	GL-2			
E13	22' - 9 1/4"	5' - 11 1/2"	OBE	6000 XT	ALUMINIUM	ANODIZED DARK BRONZE	2" x 6"	GL-2			
E14.5	9' - 5"	11' - 11 1/2"	OBE	6000 XT	ALUMINIUM	ANODIZED DARK BRONZE	2" x 6"	GL-2			
E14.5	9' - 3"	11' - 11 1/2"	OBE	6000 XT	ALUMINIUM	ANODIZED DARK BRONZE	2" x 6"	GL-2			
E14.5	9' - 3"	11' - 11 1/2"	OBE	6000 XT	ALUMINIUM	ANODIZED DARK BRONZE	2" x 6"	GL-2			
E15	9' - 3"	11' - 11 1/2"	OBE	6000 XT	ALUMINIUM	ANODIZED DARK BRONZE	2" x 6"	GL-2			
E16	15' - 4"	11' - 11 1/2"	OBE	6000 XT	ALUMINIUM	ANODIZED DARK BRONZE	2" x 6"	GL-2	103A	3'-0"x7'-10" #2	
E17	8' - 6"	11' - 11 1/2"	OBE	6000 XT	ALUMINIUM	ANODIZED DARK BRONZE	2" x 6"	GL-2			
E17	9' - 3"	11' - 11 1/2"	OBE	6000 XT	ALUMINIUM	ANODIZED DARK BRONZE	2" x 6"	GL-2			
E17	9' - 1 1/2"	11' - 11 1/2"	OBE	6000 XT	ALUMINIUM	ANODIZED DARK BRONZE	2" x 6"	GL-2			
E18	9' - 3"	11' - 11 1/2"	OBE	6000 XT	ALUMINIUM	ANODIZED DARK BRONZE	2" x 6"	GL-2			
E18	4' - 10 3/8"	11' - 11 1/2"	OBE	6000 XT	ALUMINIUM	ANODIZED DARK BRONZE	2" x 6"	GL-2			
E19	12' - 2"	11' - 11"	OBE	6000 XT	ALUMINIUM	ANODIZED DARK BRONZE	2" x 6"	GL-2	147A	6'-0"x7'-10" #9	
E20	9' - 4"	11' - 11"	OBE	6000 XT	ALUMINIUM	ANODIZED DARK BRONZE	2" x 6"	GL-2			
E20	2' - 9 31/32"	11' - 11"	OBE	6000 XT	ALUMINIUM	ANODIZED DARK BRONZE	2" x 6"	GL-2			
E22	10' - 4 3/8"	11' - 11 5/8"	OBE	6000 XT	ALUMINIUM	ANODIZED DARK BRONZE	2" x 6"	GL-2	160	3'-0"x7'-10" #6	
E22	5' - 8 5/8"	11' - 11 5/8"	OBE	6000 XT	ALUMINIUM	ANODIZED DARK BRONZE	2" x 6"	GL-2			
E23	8' - 2 1/2"	11' - 11 1/2"	OBE	6000 XT	ALUMINIUM	ANODIZED DARK BRONZE	2" x 6"	GL-2			
E24	9' - 8"	11' - 11 1/2"	OBE	6000 XT	ALUMINIUM	ANODIZED DARK BRONZE	2" x 6"	GL-2			
E25	9' - 10 15/16"	11' - 11 1/2"	OBE	6000 XT	ALUMINIUM	ANODIZED DARK BRONZE	2" x 6"	GL-2			
E26	9' - 0 1/2"	11' - 11 1/2"	OBE	6000 XT	ALUMINIUM	ANODIZED DARK BRONZE	2" x 6"	GL-2			
E27	9' - 5 3/4"	11' - 11 1/2"	OBE	6000 XT	ALUMINIUM	ANODIZED DARK BRONZE	2" x 6"	GL-2			
E27	25' - 6 7/8"	11' - 11 1/2"	OBE	6000 XT	ALUMINIUM	ANODIZED DARK BRONZE	2" x 6"	GL-2			
E28	9' - 6 1/2"	11' - 11 1/2"	OBE	6000 XT	ALUMINIUM	ANODIZED DARK BRONZE	2" x 6"	GL-2			
E29	27' - 8 1/2"	3' - 8 3/4"	OBE	6000 XT	ALUMINIUM	ANODIZED DARK BRONZE	2" x 6"	GL-3			
E30	41' - 10"	7' - 3 1/2"	OBE	6000 XT	ALUMINIUM	ANODIZED DARK BRONZE	2" x 6"	GL-3			
E31	26' - 8 1/2"	7' - 3"	OBE	6000 XT	ALUMINIUM	ANODIZED DARK BRONZE	2" x 6"	GL-3			
E32	41' - 10"	7' - 2"	OBE	6000 XT	ALUMINIUM	ANODIZED DARK BRONZE	2" x 6"	GL-3			
E33	30' - 6 15/16"	4' - 0 25/32"	OBE	6000 XT	ALUMINIUM	ANODIZED DARK BRONZE	2" x 6"	GL-3			
E34	46' - 5"	4' - 2"	OBE	6000 XT	ALUMINIUM	ANODIZED DARK BRONZE	2" x 6"	GL-3			
E35	31' - 1"	7' - 11 1/2"	OBE	6000 XT	ALUMINIUM	ANODIZED DARK BRONZE	2" x 6"	GL-3			
E35	31' - 1"	7' - 11 1/2"	OBE	6000 XT	ALUMINIUM	ANODIZED DARK BRONZE	2" x 6"	GL-3			
E36	46' - 11"	5' - 7 5/8"	OBE	6000 XT	ALUMINIUM	ANODIZED DARK BRONZE	2" x 6"	GL-3			
E37	9' - 3 15/16"	11' - 11 1/2"	OBE	6000 XT	ALUMINIUM	ANODIZED DARK BRONZE	2" x 6"	GL-2	190A	3'-0"x7'-10" #2	
E38	19' - 6 31/32"	5' - 11 1/2"	OBE	6000 XT	ALUMINIUM	ANODIZED DARK BRONZE	2" x 6"	GL-2			
E38	19' - 4 31/32"	5' - 11 1/2"	OBE	6000 XT	ALUMINIUM	ANODIZED DARK BRONZE	2" x 6"	GL-2			
E39	5' - 3"	11' - 11 1/2"	OBE	6000 XT	ALUMINIUM	ANODIZED DARK BRONZE	2" x 6"	GL-2	147C	3'-0"x7'-10" #7	
E40	6' - 4 31/32"	5' - 11 1/2"	OBE	6000 XT	ALUMINIUM	ANODIZED DARK BRONZE	2" x 6"	GL-2			
E40	19' - 7"	5' - 11"	OBE	6000 XT	ALUMINIUM	ANODIZED DARK BRONZE	2" x 6"	GL-2			
E40	9' - 8 31/32"	5' - 11 1/2"	OBE	6000 XT	ALUMINIUM	ANODIZED DARK BRONZE	2" x 6"	GL-2			
I01	4' - 7 5/8"	8' - 0"	OBE	FG-3000	ALUMINIUM	ANODIZED DARK BRONZE	2" x 4 1/2"	GL-1	104	3'-0"x7'-10" #30	
I02	7' - 11 3/8"	8' - 0"	OBE	FG-3000	ALUMINIUM	ANODIZED DARK BRONZE	2" x 4 1/2"	GL-1	106	3'-0"x7'-10" #27	
I02	7' - 8 5/8"	8' - 0"	OBE	FG-3000	ALUMINIUM	ANODIZED DARK BRONZE	2" x 4 1/2"	GL-1	107	3'-0"x7'-10" #27	
I03	9' - 3 5/8"	8' - 0"	OBE	FG-3000	ALUMINIUM	ANODIZED DARK BRONZE	2" x 4 1/2"	GL-1	108	3'-0"x7'-10" #27	
I03	9' - 4"	8' - 0"	OBE	FG-3000	ALUMINIUM	ANODIZED DARK BRONZE	2" x 4 1/2"	GL-1	109	3'-0"x7'-10" #27	
I03	9' - 6 3/8"	8' - 0"	OBE	FG-3000	ALUMINIUM	ANODIZED DARK BRONZE	2" x 4 1/2"	GL-1	110	3'-0"x7'-10" #27	
I03	9' - 3 5/8"	8' - 0"	OBE	FG-3000	ALUMINIUM	ANODIZED DARK BRONZE	2" x 4 1/2"	GL-1	111	3'-0"x7'-10" #27	
I04	9' - 7"	8' - 0"	OBE	FG-3000	ALUMINIUM	ANODIZED DARK BRONZE	2" x 4 1/2"	GL-1	112	3'-0"x7'-10" #27	
I05	4' - 5 1/4"	8' - 0"	OBE	FG-3000	ALUMINIUM	ANODIZED DARK BRONZE	2" x 4 1/2"	GL-1	127D	3'-0"x7'-10" #30	
I06	9' - 5 7/8"	8' - 0"	OBE	FG-3000	ALUMINIUM	ANODIZED DARK BRONZE	2" x 4 1/2"	GL-1	113	3'-0"x7'-10" #27	
I07	9' - 11 1/4"	8' - 0"	OBE	FG-3000	ALUMINIUM	ANODIZED DARK BRONZE	2" x 4 1/2"	GL-1	114A	3'-0"x7'-10" #27	
I08	6' - 3"	8' - 0"	OBE	FG-3000	ALUMINIUM	ANODIZED DARK BRONZE	2" x 4 1/2"	GL-1	114B	3'-0"x7'-10" #27	
I09	16' - 1 15/32"	11' - 11 5/8"	OBE	FG-3000	ALUMINIUM	ANODIZED DARK BRONZE	2" x 4 1/2"	GL-1			
I09	3' - 4"	11' - 11 5/8"	OBE	FG-3000	ALUMINIUM	ANODIZED DARK BRONZE	2" x 4 1/2"	GL-1	125	3'-0"x7'-10" #17	
I10	8' - 7 3/4"	11' - 11 5/8"	OBE	FG-3000	ALUMINIUM	ANODIZED DARK BRONZE	2" x 4 1/2"	GL-1	127C	6'-0"x7'-10" #4	
I11	26' - 1"	11' - 11 5/8"	OBE	FG-3000	ALUMINIUM	ANODIZED DARK BRONZE	2" x 4 1/2"	GL-1			
I12	15' - 6 1/4"	2' - 8 3/4"	OBE	FG-3000	ALUMINIUM	ANODIZED DARK BRONZE	2" x 4 1/2"	GL-1			
I13	12' - 0"	2' - 8 3/4"	OBE	FG-3000	ALUMINIUM	ANODIZED DARK BRONZE	2" x 4 1/2"	GL-1			
I14	19' - 11 5/8"	2' - 8 3/4"	OBE	FG-3000	ALUMINIUM	ANODIZED DARK BRONZE	2" x 4 1/2"	GL-1			
I15	6' - 5 1/4"	8' - 0"	OBE	FG-3000	ALUMINIUM	ANODIZED DARK BRONZE	2" x 4 1/2"	GL-1	138B	3'-0"x7'-10" #25	
I15	6' - 5 1/4"	8' - 0"	OBE	FG-3000	ALUMINIUM	ANODIZED DARK BRONZE	2" x 4 1/2"	GL-1	138A	3'-0"x7'-10" #25	
I16	18' - 6 7/32"	8' - 0"	OBE	FG-3000	ALUMINIUM	ANODIZED DARK BRONZE	2" x 4 1/2"	GL-1			
I18	9' - 3"	11' - 11 5/8"	OBE	FG-3000	ALUMINIUM	ANODIZED DARK BRONZE	2" x 4 1/2"	GL-1			
I19	25' - 6 3/4"	11' - 11 5/8"	OBE	FG-3000	ALUMINIUM	ANODIZED DARK BRONZE	2" x 4 1/2"	GL-1	147D	3'-0"x7'-10" #10	
I20	18' - 10 5/8"	9' - 11 5/8"	OBE	FG-3000	ALUMINIUM	ANODIZED DARK BRONZE	2" x 4 1/2"	GL-1			

CANOPY											
NAME	FRAME SPECIFICATION		FRAME FINISHES				DESCRIPTION		DOOR SPECIFICATIONS		HARDWARE GROUP
	FRAME LENGTH	FRAME HEIGHT	Manufacturer	SERIES	PANEL MATERIAL	FINISHES	MULLION SIZE	GLAZING THICKNESSES	DOOR TAG	DOOR SIZE	
E14.5	9' - 5"	12' - 6 1/2"	OBE	RELIANCE	ALUMINIUM	ANODIZED DARK BRONZE	2 1/2" x 6"	GL-2			
E14.5	9' - 3"	12' - 6 1/2"	OBE	RELIANCE	ALUMINIUM	ANODIZED DARK BRONZE	2 1/2" x 6"	GL-2			
E14.5	9' - 3"	12' - 6 1/2"	OBE	RELIANCE	ALUMINIUM	ANODIZED DARK BRONZE	2 1/2" x 6"	GL-2			
E17	8' - 6"	10' - 5"	OBE	6000 XT	ALUMINIUM	ANODIZED DARK BRONZE	2" x 6"	GL-2			
E17	9' - 3"	10' - 5"	OBE	6000 XT	ALUMINIUM	ANODIZED DARK BRONZE	2" x 6"	GL-2			
E17	9' - 1 1/2"	10' - 5"	OBE	6000 XT	ALUMINIUM	ANODIZED DARK BRONZE	2" x 6"	GL-2			
E18	9' - 3"	10' - 5 1/2"	OBE	6000 XT	ALUMINIUM	ANODIZED DARK BRONZE	2" x 6"	GL-2			
E18	4' - 10 3/8"	10' - 5"	OBE	6000 XT	ALUMINIUM	ANODIZED DARK BRONZE	2" x 6"	GL-2			
E20	9' - 8"	10' - 5"	OBE	6000 XT	ALUMINIUM	ANODIZED DARK BRONZE	2" x 6"	GL-2			
E20	2' - 10"	10' - 5"	OBE	6000 XT	ALUMINIUM	ANODIZED DARK BRONZE	2" x 6"	GL-2			
E21	9' - 5"	10' - 5 1/2"	OBE	6000 XT	ALUMINIUM	ANODIZED DARK BRONZE	2" x 6"	GL-2			
E21	9' - 3"	10' - 5 1/2"	OBE	6000 XT	ALUMINIUM	ANODIZED DARK BRONZE	2" x 6"	GL-2			
E21	9' - 3"	10' - 5 1/2"	OBE	6000 XT	ALUMINIUM	ANODIZED DARK BRONZE	2" x 6"	GL-2			
E21	6' - 0 3/4"	10' - 5 1/2"	OBE	6000 XT	ALUMINIUM	ANODIZED DARK BRONZE	2" x 6"	GL-2			
I14	0' - 6 5/8"	2' - 8 3/4"	OBE	FG-3000	ALUMINIUM	ANODIZED DARK BRONZE	2" x 4 1/2"	GL-1			
I16	18' - 3 1/8"	2' - 8 3/4"	OBE	FG-3000	ALUMINIUM	ANODIZED DARK BRONZE	2" x 4 1/2"	GL-1			
I16	18' - 6 1/4"	2' - 8 3/4"	OBE	FG-3000	ALUMINIUM	ANODIZED DARK BRONZE	2" x 4 1/2"	GL-1	140A	6'-0"x7'-10" #15	

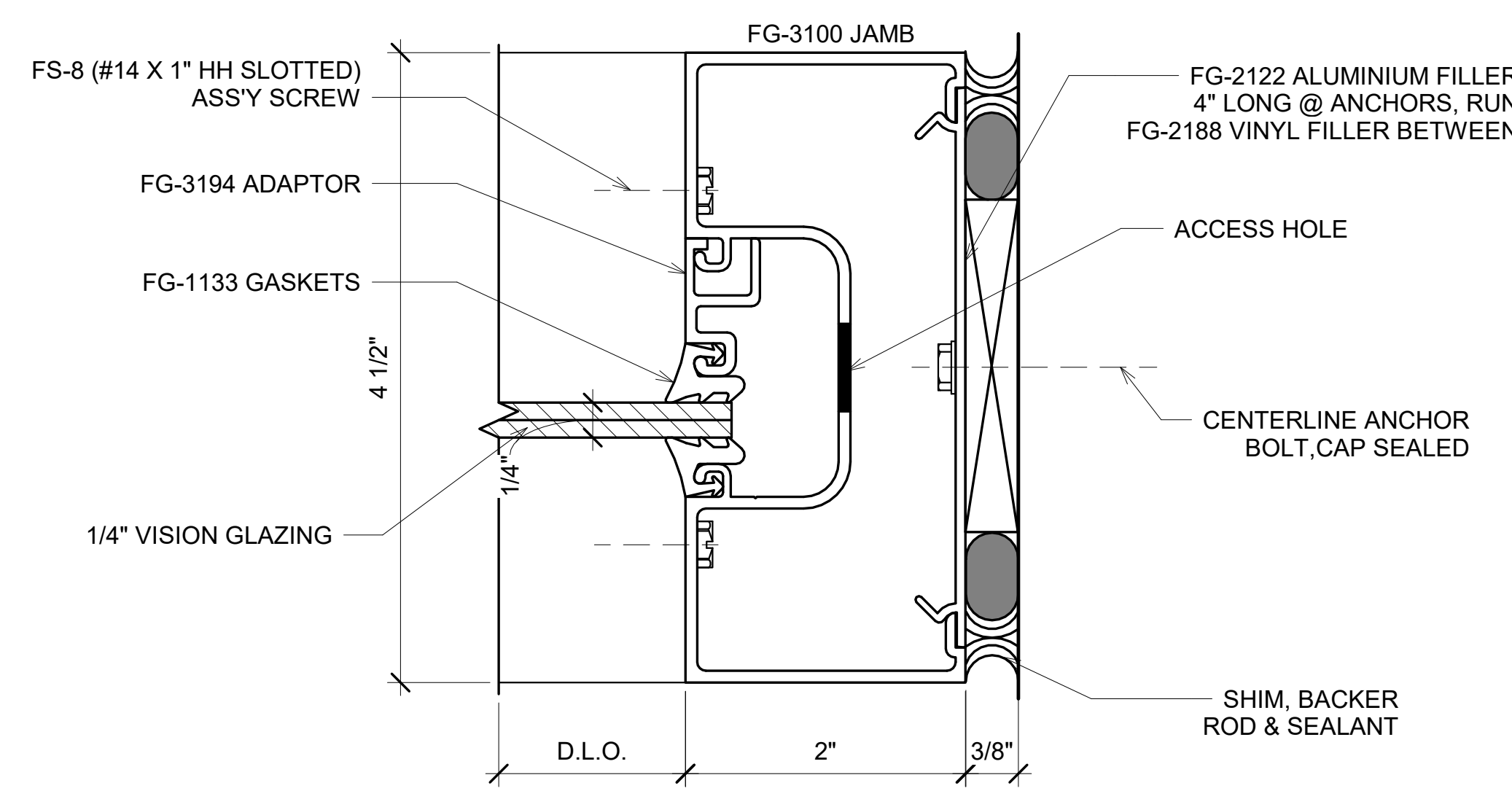
Grand total: 96

CURTAINWALL SCHEDULE											
NAME	FRAME SPECIFICATION		FRAME FINISHES				DESCRIPTION		DOOR SPECIFICATIONS		HARDWARE GROUP
	FRAME LENGTH	FRAME HEIGHT	Manufacturer	SERIES	PANEL MATERIAL	FINISHES	MULLION SIZE	GLAZING THICKNESSES	DOOR TAG	DOOR SIZE	

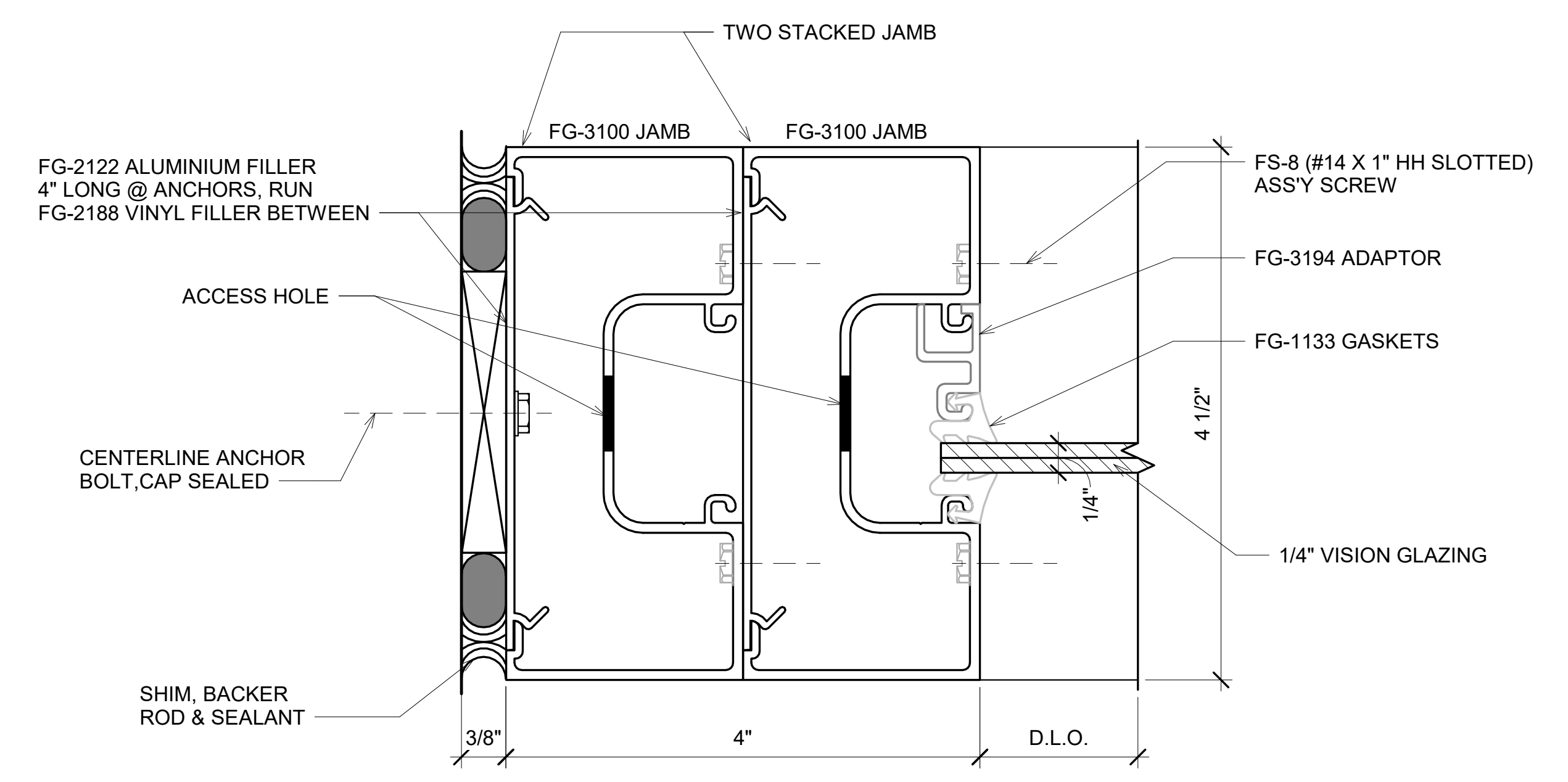
CANOPY											
NAME	FRAME SPECIFICATION		FRAME FINISHES				DESCRIPTION		DOOR SPECIFICATIONS		HARDWARE GROUP
	FRAME LENGTH	FRAME HEIGHT	Manufacturer	SERIES	PANEL MATERIAL	FINISHES	MULLION SIZE	GLAZING THICKNESSES	DOOR TAG	DOOR SIZE	
E12	5' - 5"	12' - 6 1/2"	OBE	RELIANCE	ALUMINIUM	ANODIZED DARK BRONZE	2 1/2" x 6"	GL-2			
E12	9' - 10"	12' - 6 1/2"	OBE	RELIANCE	ALUMINIUM	ANODIZED DARK BRONZE	2 1/2" x 6"	GL-2			
E12A	5' - 7"	12' - 7 1/8"	OBE	RELIANCE	ALUMINIUM	ANODIZED DARK BRONZE	2 1/2" x 6"	GL-2			
E12A	9' - 11"	12' - 6 5/8"	OBE	RELIANCE	ALUMINIUM	ANODIZED DARK BRONZE	2 1/2" x 6"	GL-2			
E14	9' - 2"	12' - 6 1/2"	OBE	RELIANCE	ALUMINIUM	ANODIZED DARK BRONZE	2 1/2" x 6"	GL-2			
E14	9' - 3"	12' - 6 1/2"	OBE	RELIANCE	ALUMINIUM	ANODIZED DARK BRONZE	2 1/2" x 6"	GL-2			
E14	9' - 3"	12' - 6 1/2"	OBE	RELIANCE	ALUMINIUM	ANODIZED DARK BRONZE	2 1/2" x 6"	GL-2			
E14	9' - 3"	12' - 6 1/2"	OBE	RELIANCE	ALUMINIUM	ANODIZED DARK BRONZE	2 1/2" x 6"	GL-2			
E14	9' - 3"	12' - 6 1/2"	OBE	RELIANCE	ALUMINIUM	ANODIZED DARK BRONZE	2 1/2" x 6"	GL-2			
E14	6' - 11										



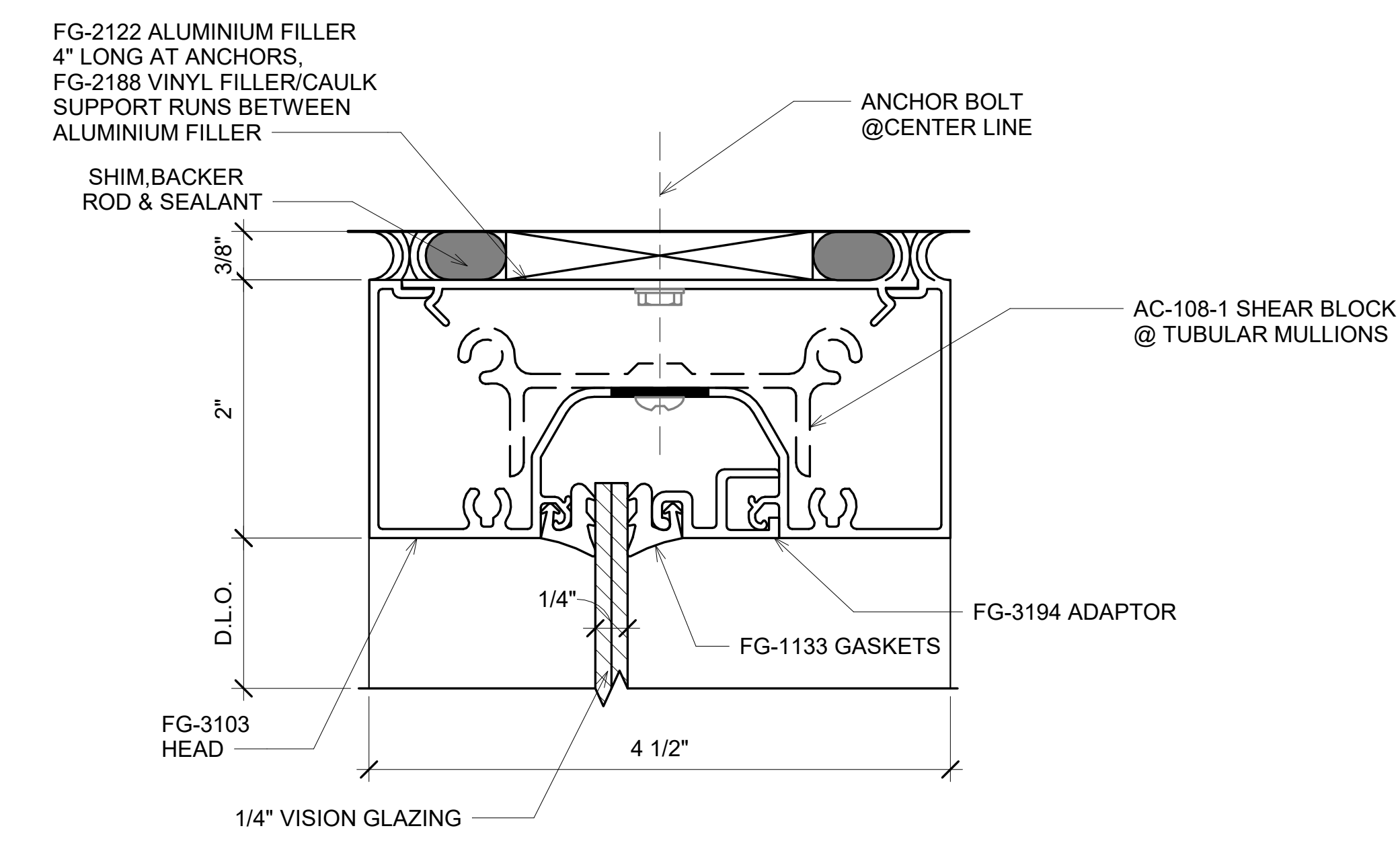
1 FG-3000 INTERIOR STOREFRONT LEFT JAMB VERTICAL DETAILS  
12" = 1'-0"



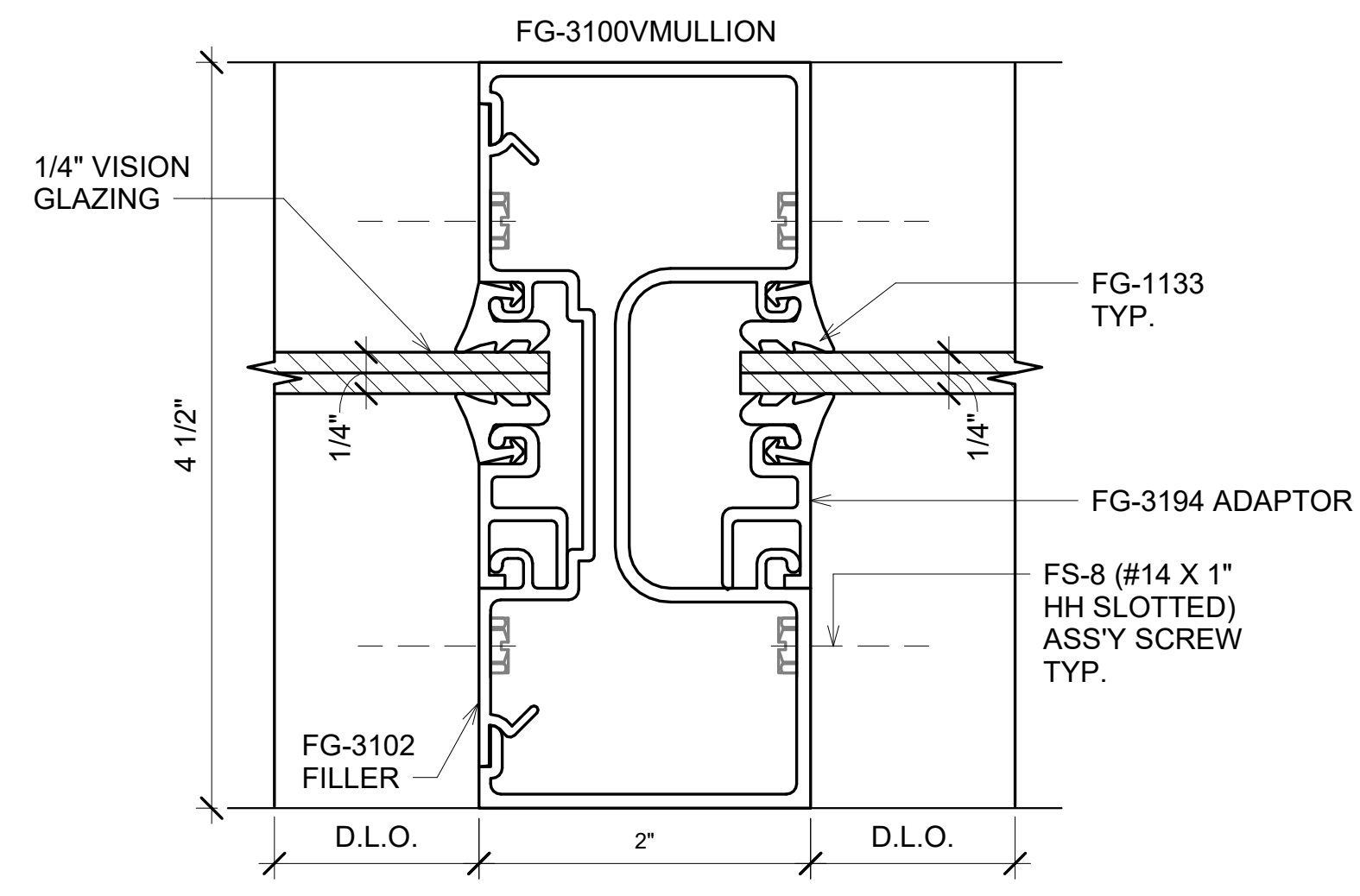
2 FG-3000 INTERIOR STOREFRONT RIGHT JAMB VERTICAL DETAILS  
12" = 1'-0"



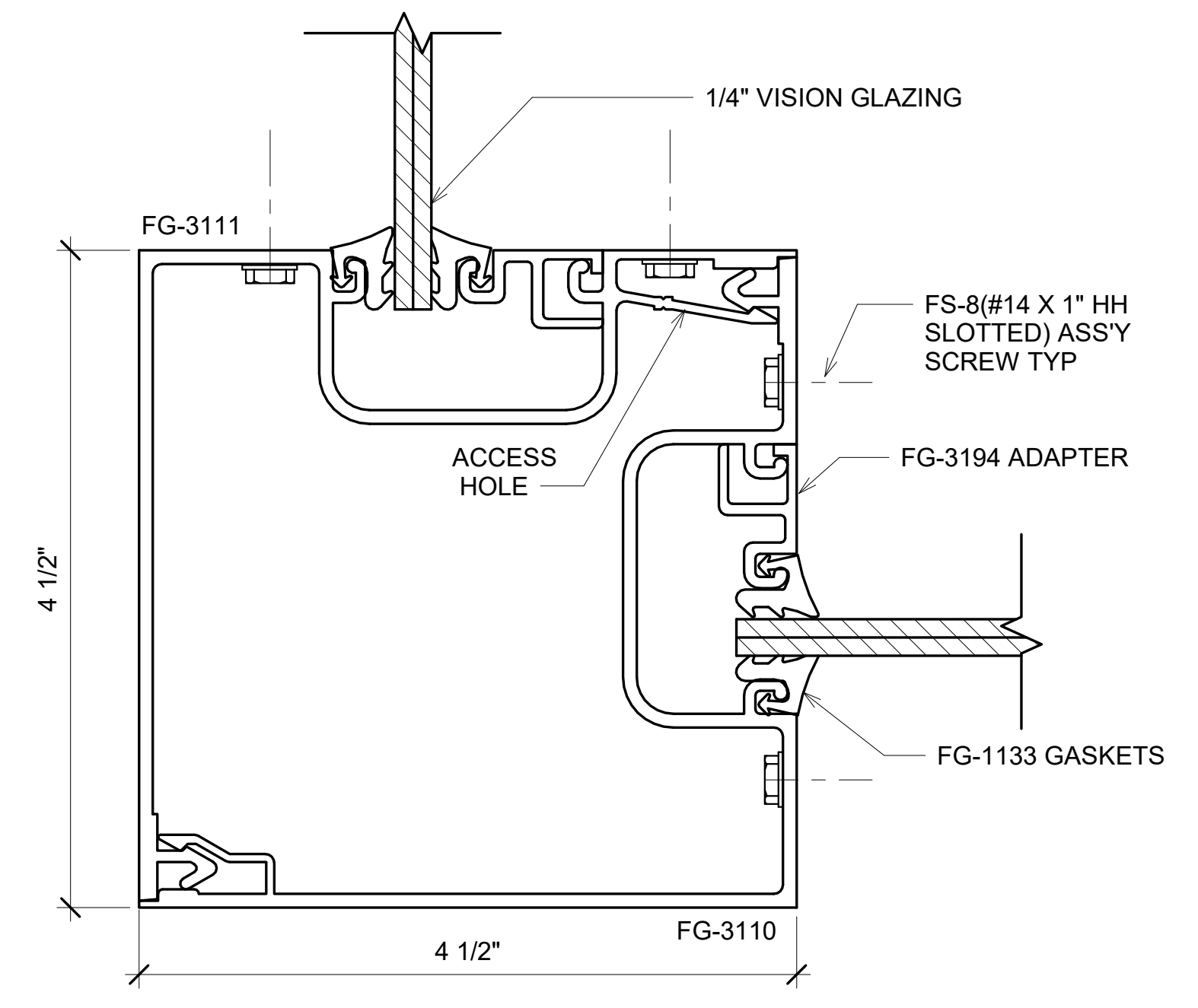
9 FG-3000 INTERIOR STOREFRONT LEFT JAMB VERTICAL STACKED DETAILS  
12" = 1'-0"



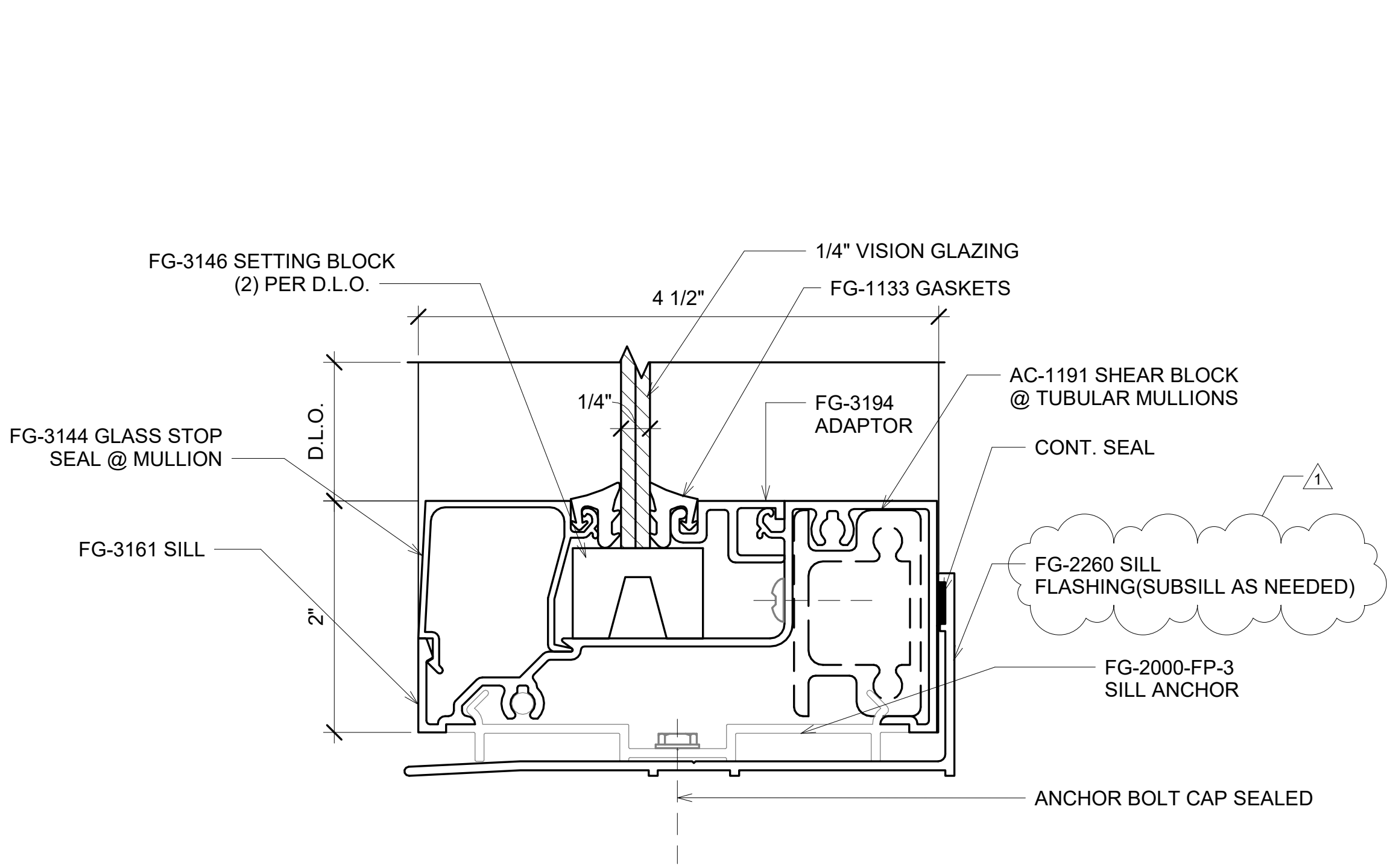
3 FG-3000 INTERIOR STOREFRONT HEAD DETAILS  
12" = 1'-0"



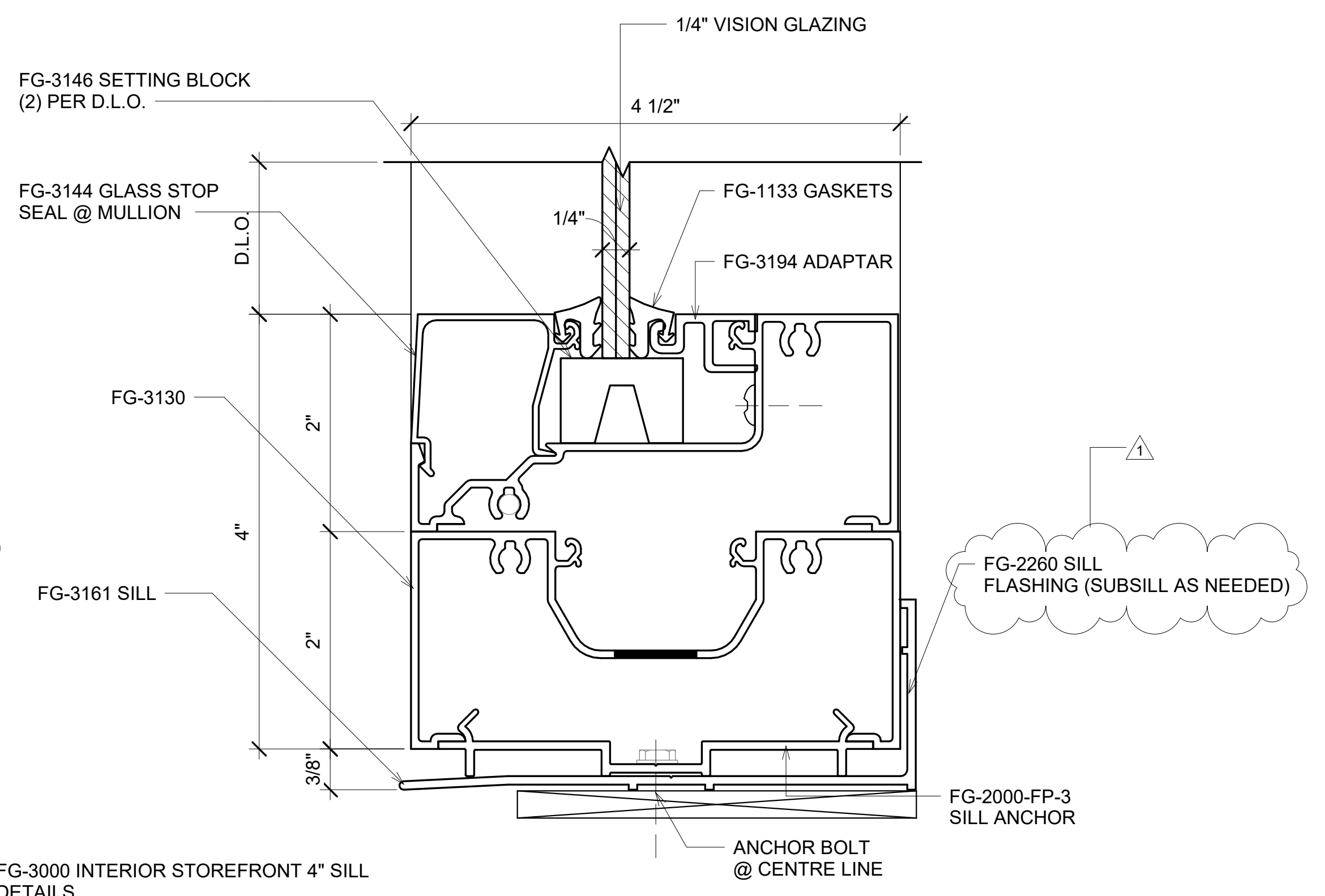
4 FG-3000 INTERIOR STOREFRONT INTERMEDIATE VERTICAL DETAILS  
12" = 1'-0"



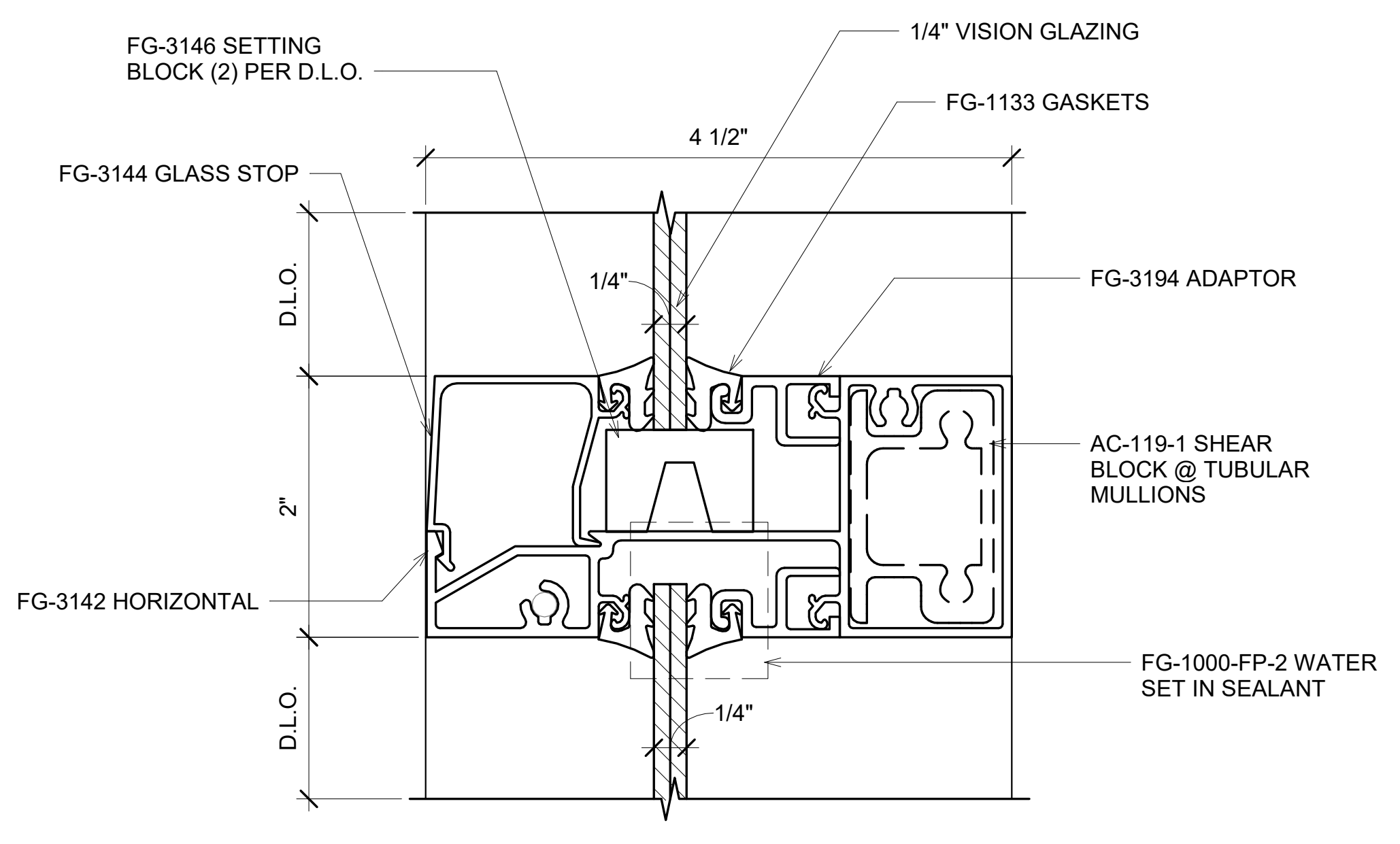
5 FG-3000 CORNER DETAIL  
12" = 1'-0"



6 FG-3000 INTERIOR STOREFRONT SILL DETAILS  
12" = 1'-0"



7 FG-3000 INTERIOR STOREFRONT 4" SILL DETAILS  
12" = 1'-0"



8 FG-3000 INTERIOR STOREFRONT INTERMEDIATE HORIZONTAL DETAILS  
12" = 1'-0"

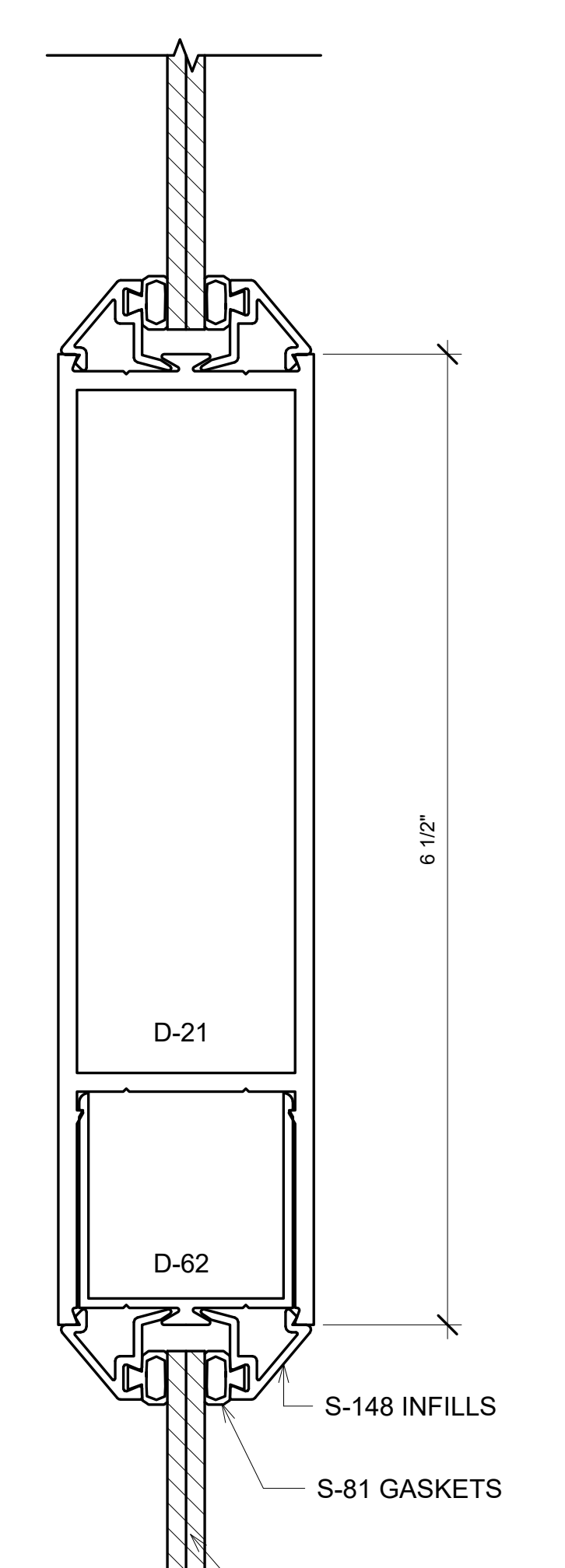
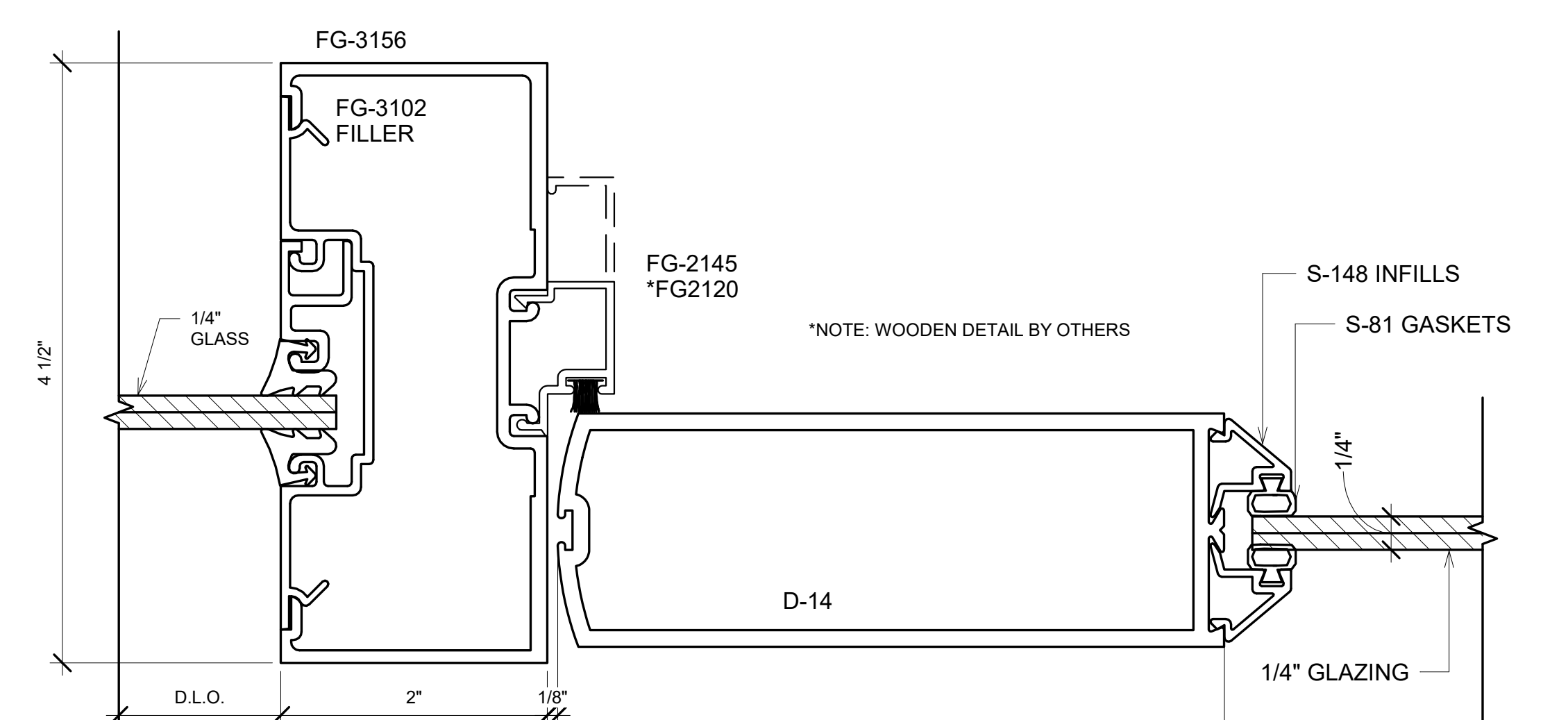
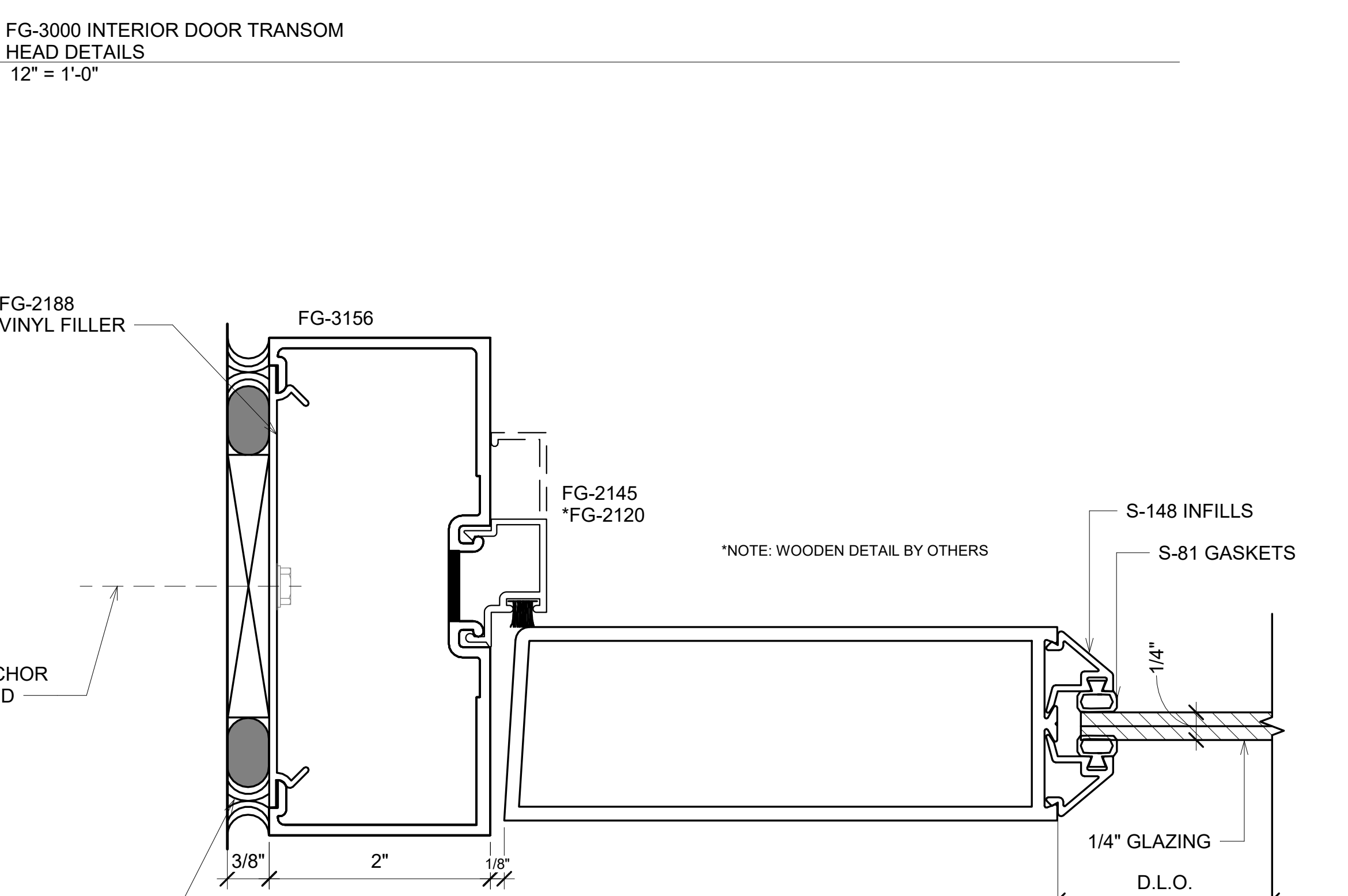
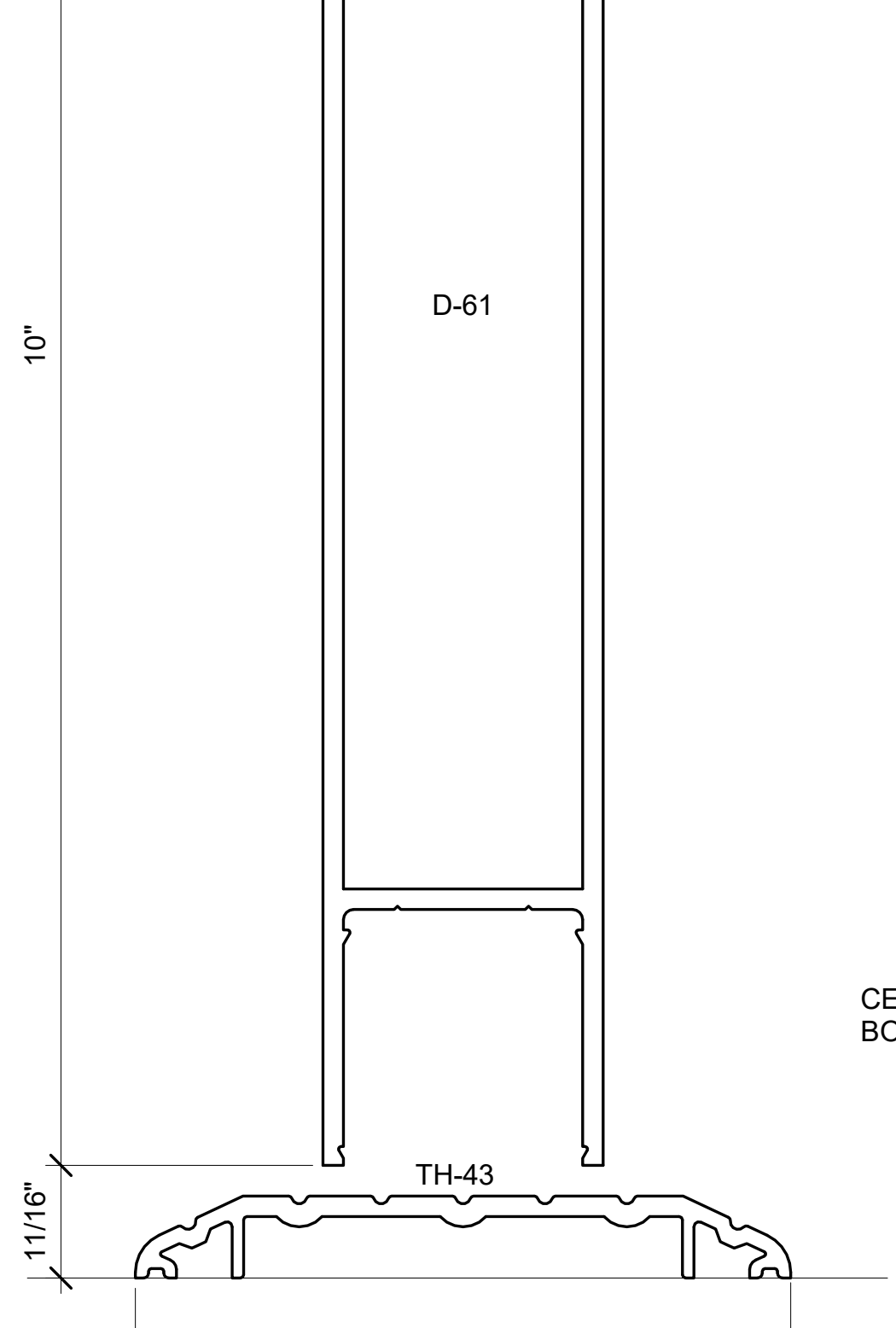
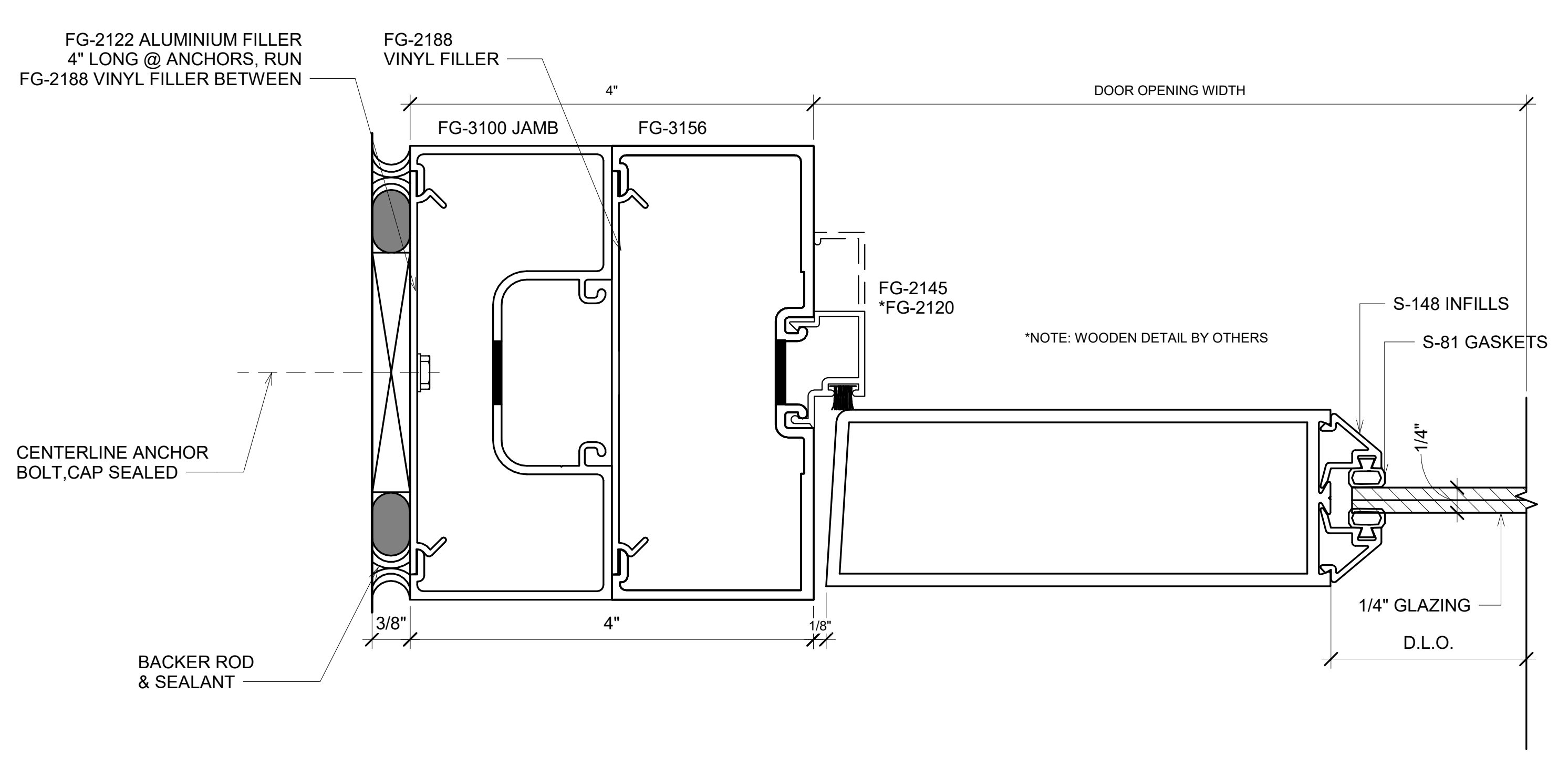
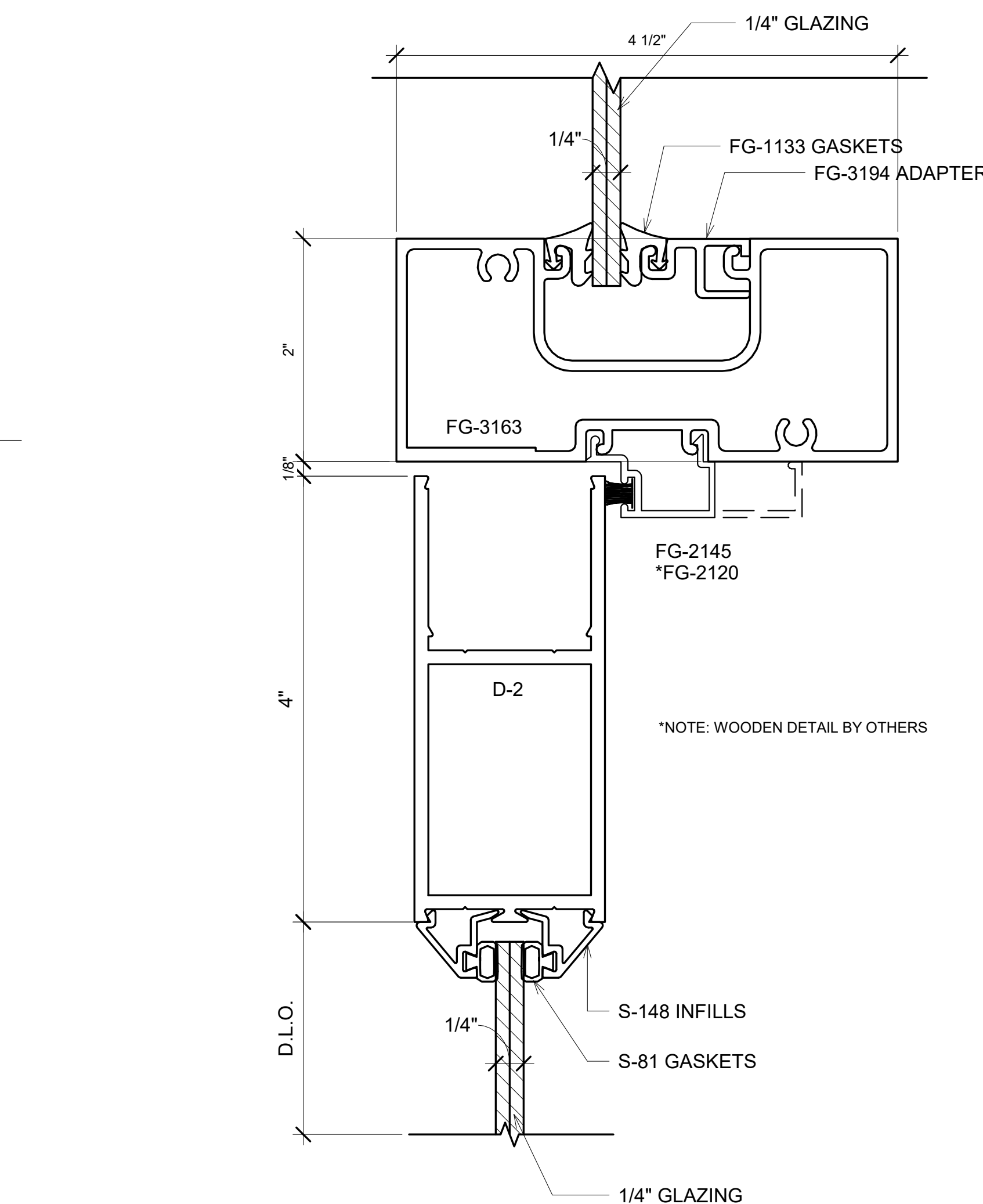
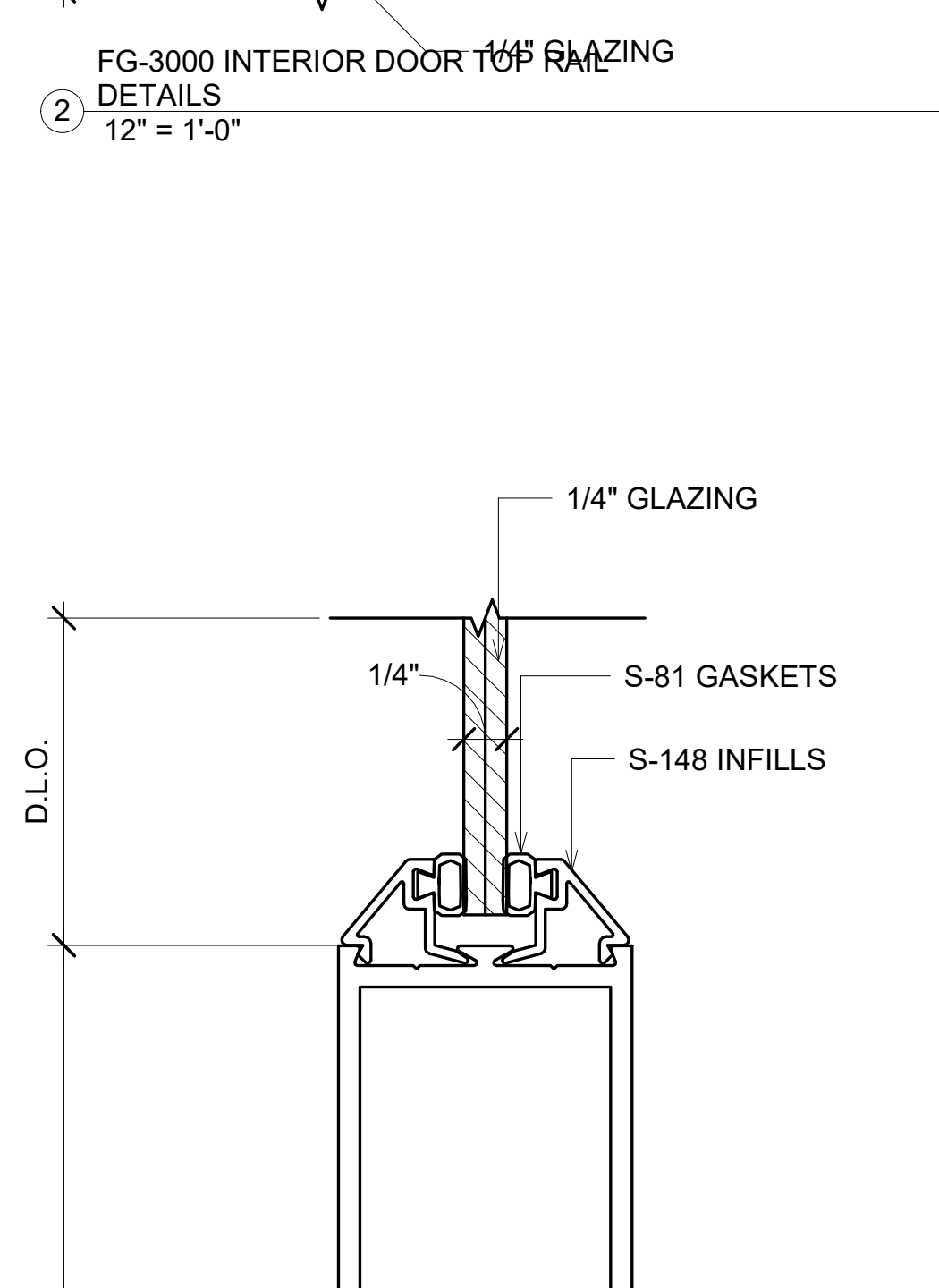
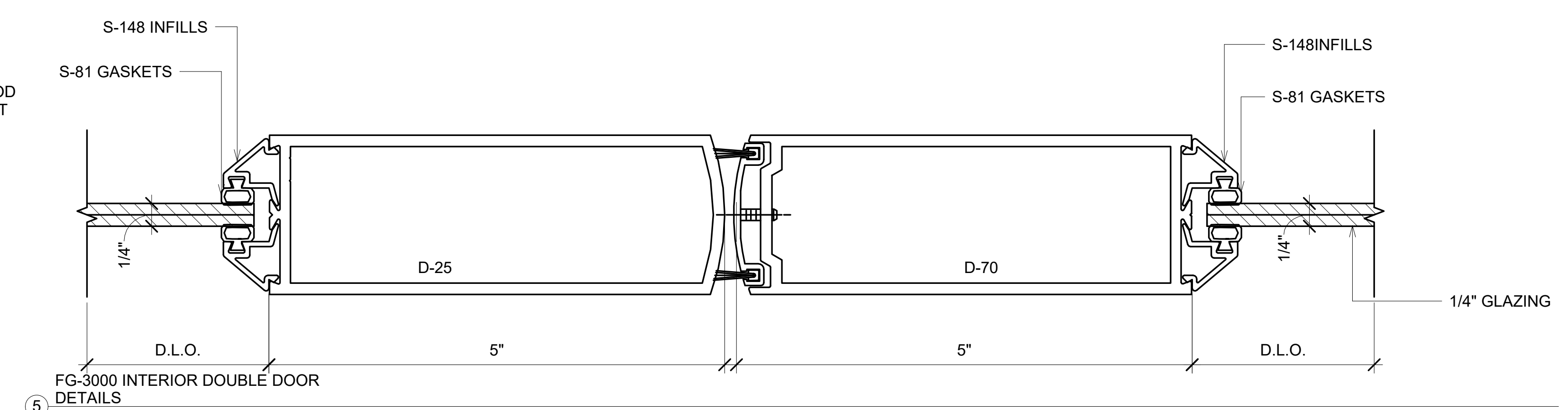
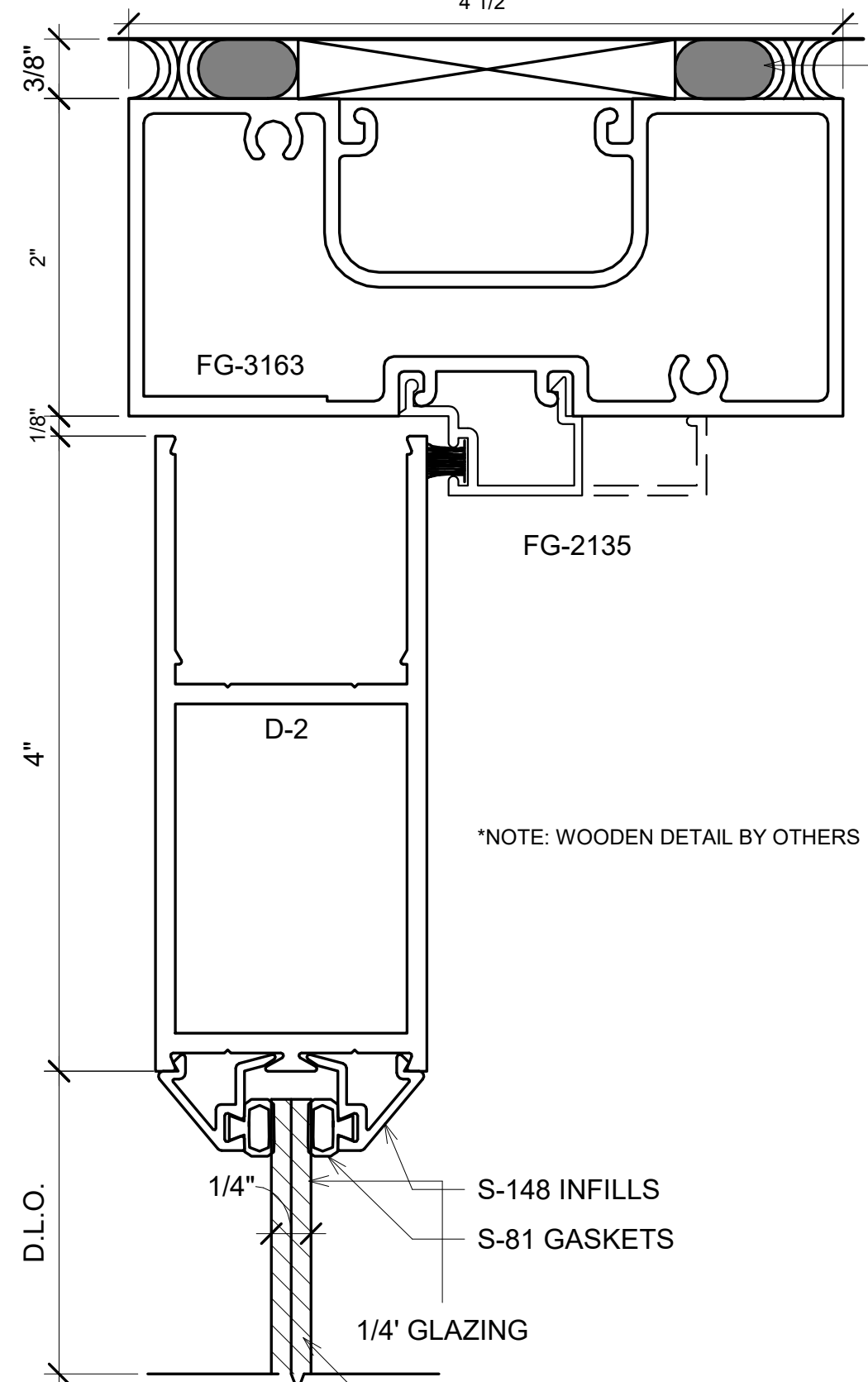
BIM ARCHITECTS AND ENGINEERS  
**SIMSONA CORP.**  
 1451 Rockville Pike, Suite #250,  
 Rockville, MD 20850  
 Phone : 301-408-8553  
 Email: raj@simsona.com  
 www.simsonacadd.com

PROJECT NAME  
**IDAHO OUTDOOR FIELDHOUSE**  
 3211 E. BARBER VALLEY Dr. BOISE,  
 IDAHO 83716

Revision Schedule		
Revision Number	Revision Description	Revision Date
1	REVISED CONCERNING SIMSONA SUBMITTAL #01	06-02-2022

<b>TYPICAL DETAILS-OBE FG 3000 SERIES</b>		<b>SD-600 A</b>
PROJECT NUMBER	SIM-37	
DATE	08-26-2022	SCALE- 12" = 1'-0"
Drawn by	AC/AG/AY/SS	
Checked by	AP	

PLOT CREATED: 08-26-2022



① FG-3000 INTERIOR DOOR BOTTOM RAIL DETAILS 12" = 1'-0"

③ FG-3000 INTERIOR DOOR JAMB DETAILS 12" = 1'-0"

⑥ FG-3000 INTERIOR DOOR JAMB DETAILS @ GLAZING 12" = 1'-0"

⑦ FG-3000 INTERIOR DOOR RAIL MUNTINS 12" = 1'-0"

BIM ARCHITECTS AND ENGINEERS  
**SIMSONA CORP.**  
 1451 Rockville Pike, Suite #250,  
 Rockville, MD 20850  
 Phone : 301-408-8553  
 Email: raj@simsona.com  
 www.simsonacadd.com

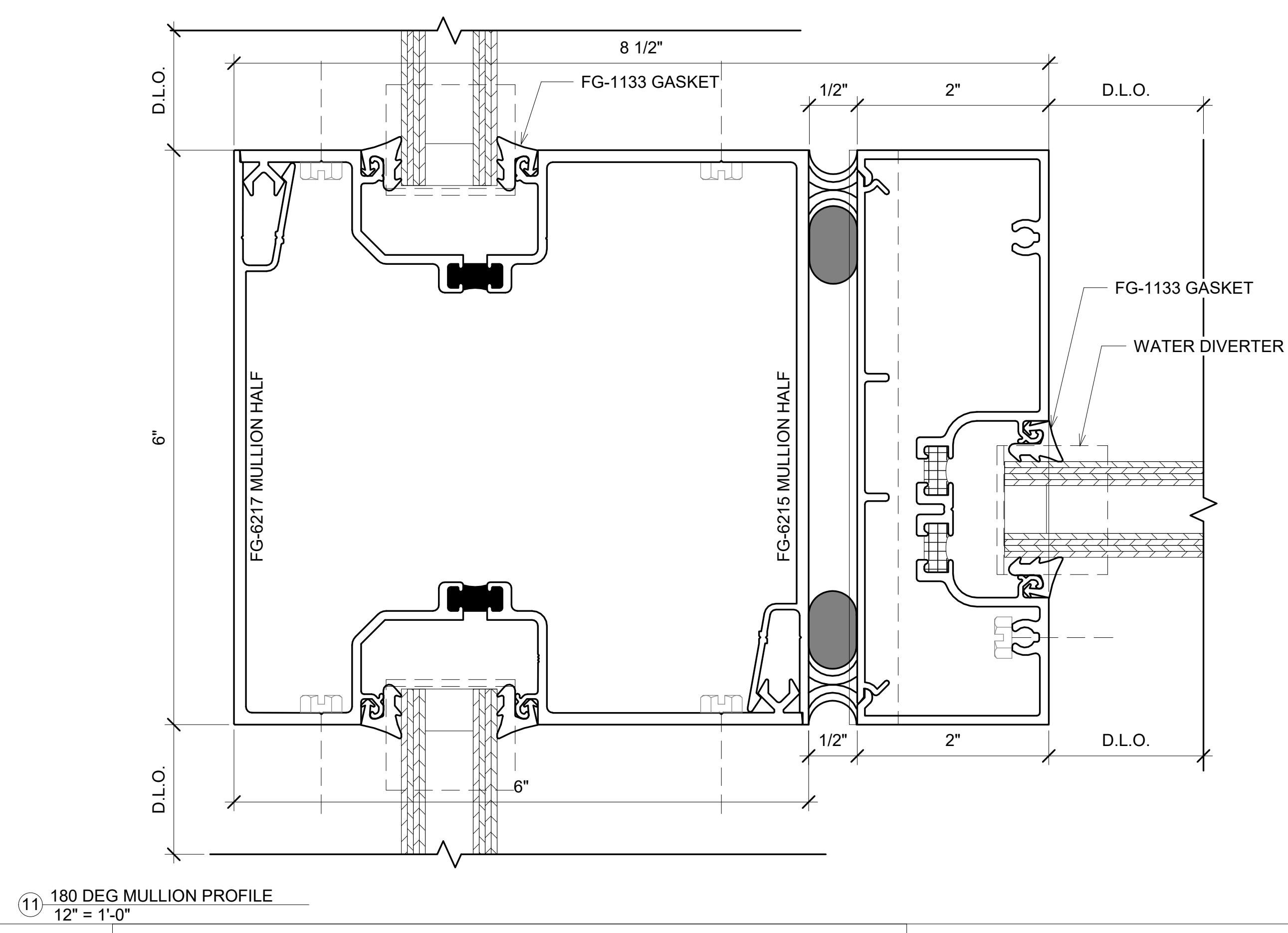
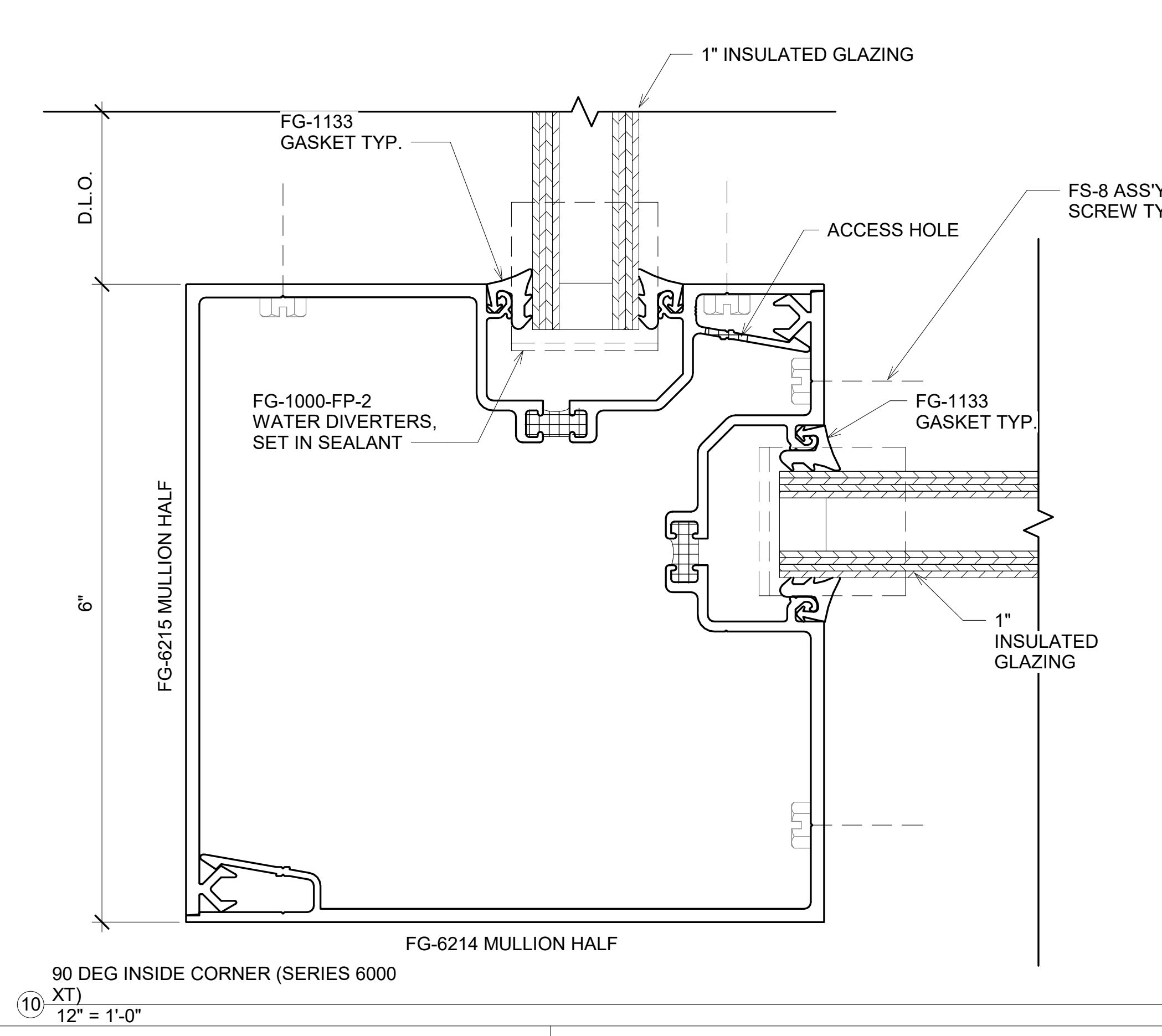
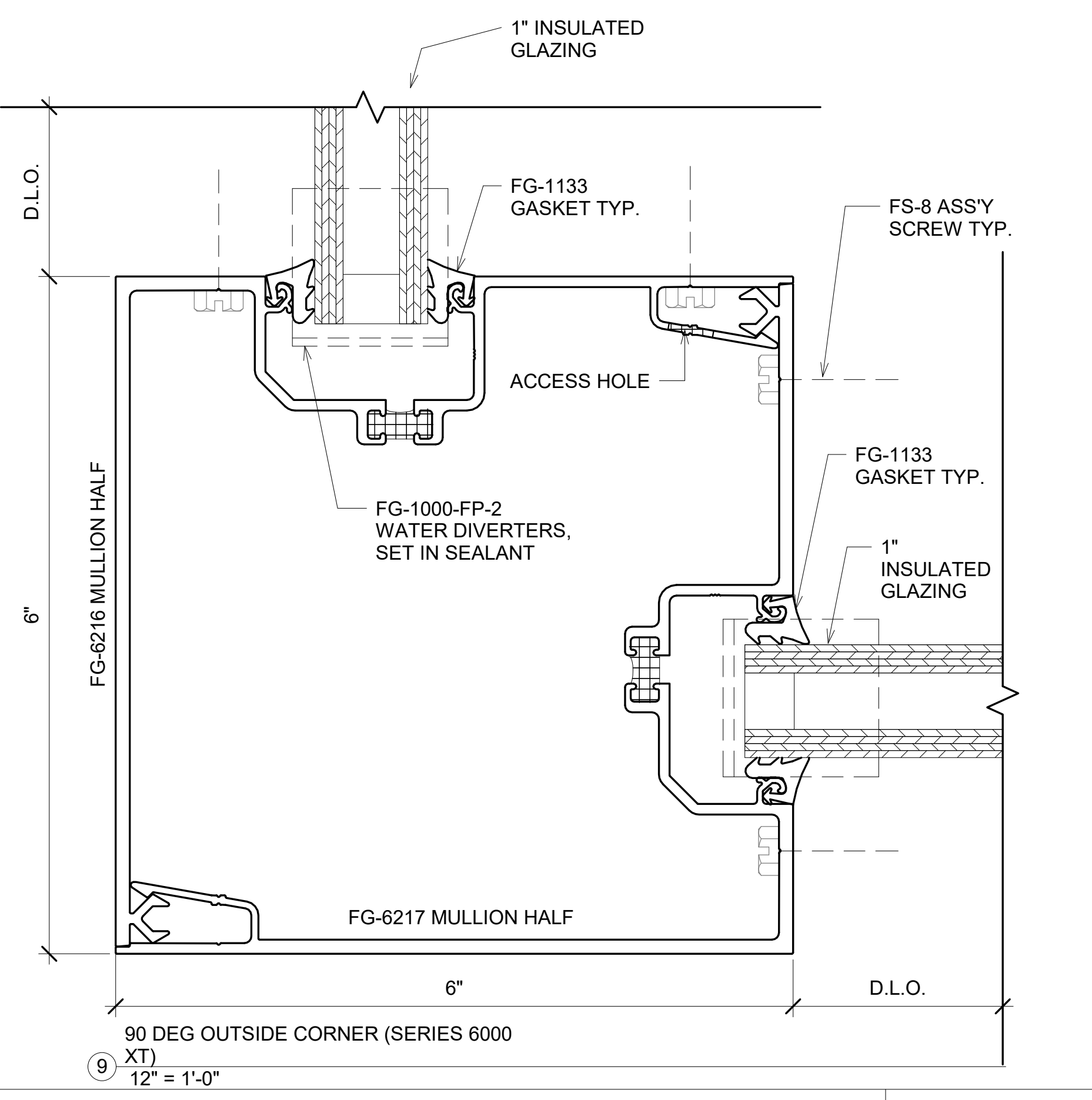
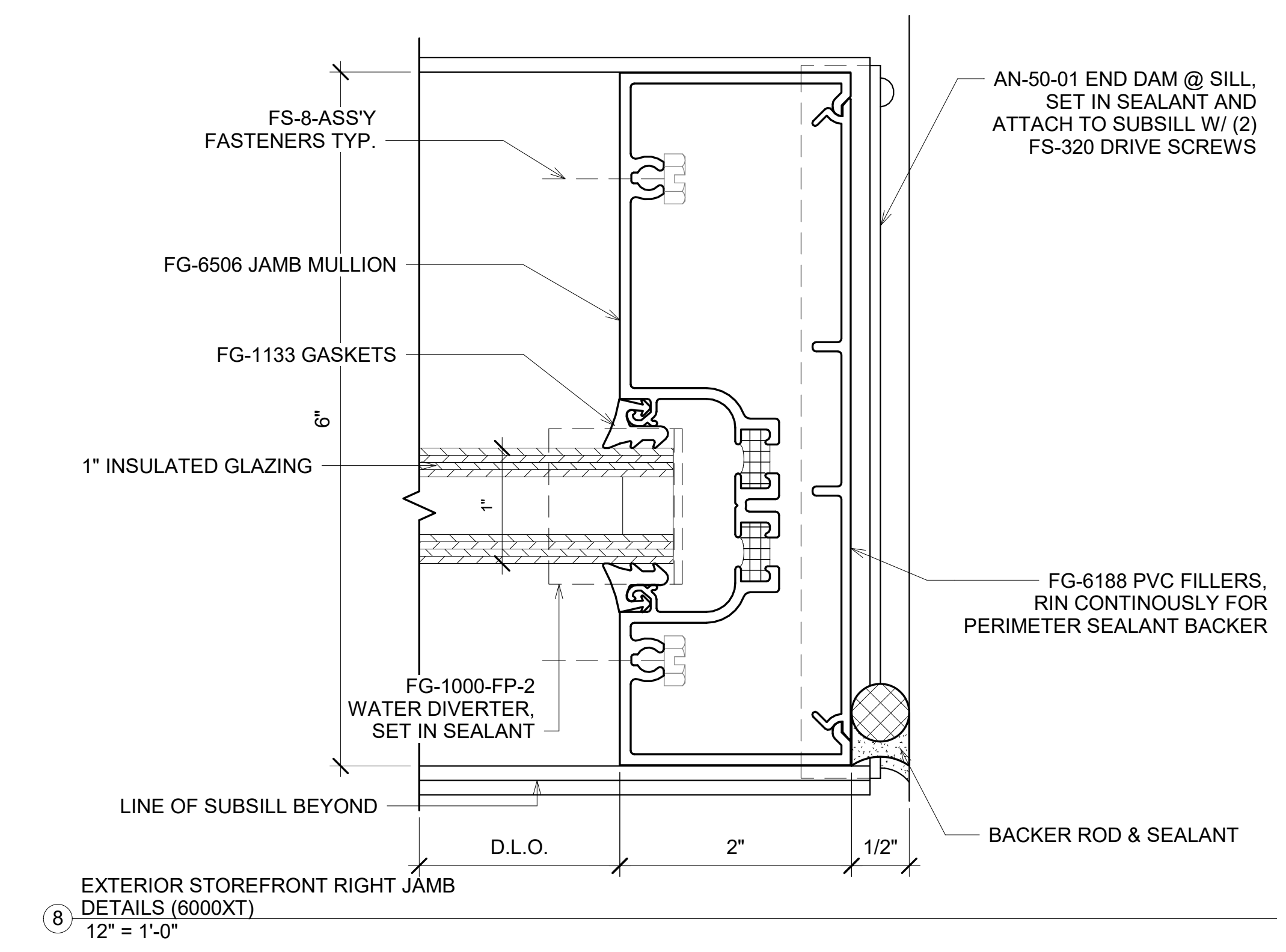
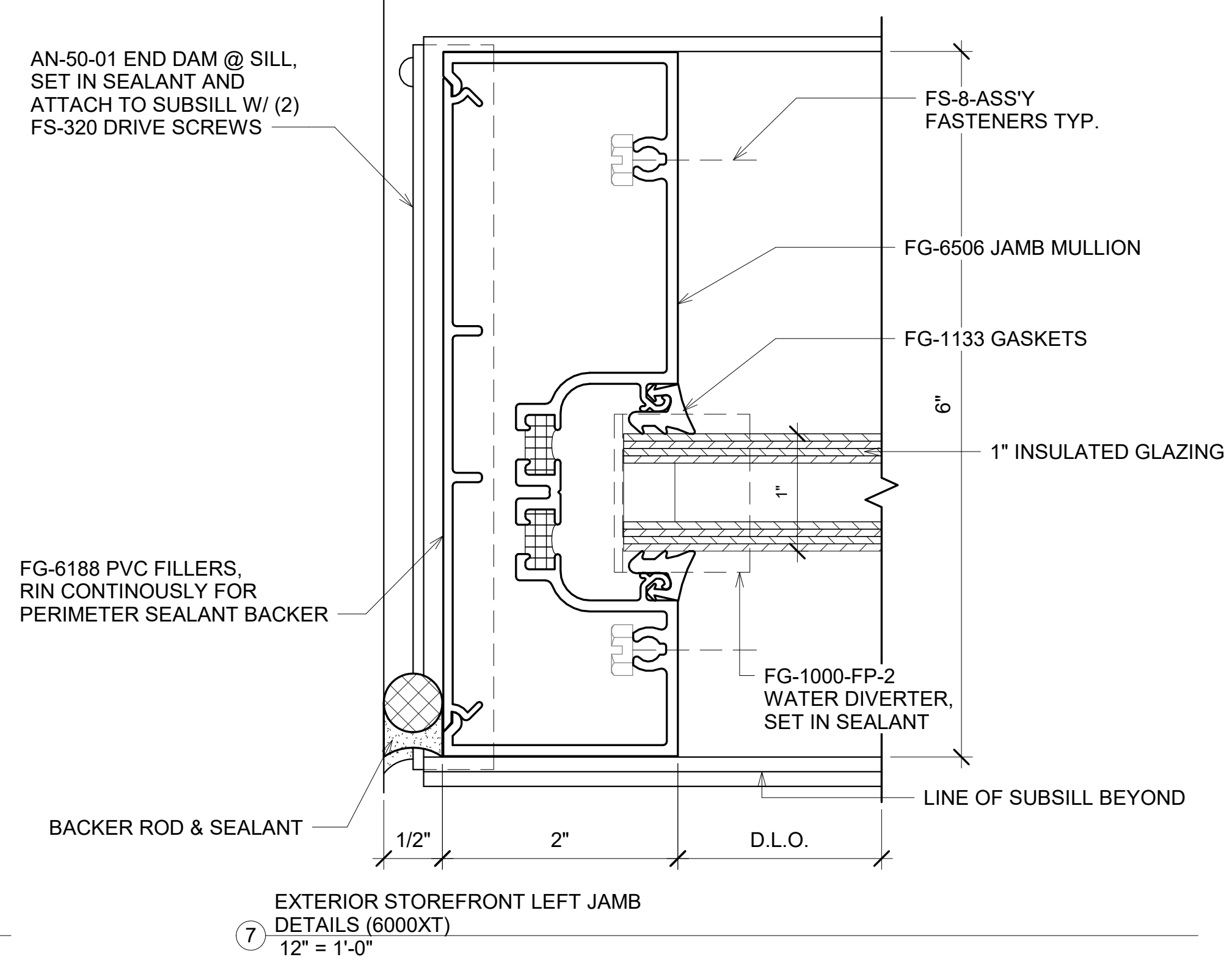
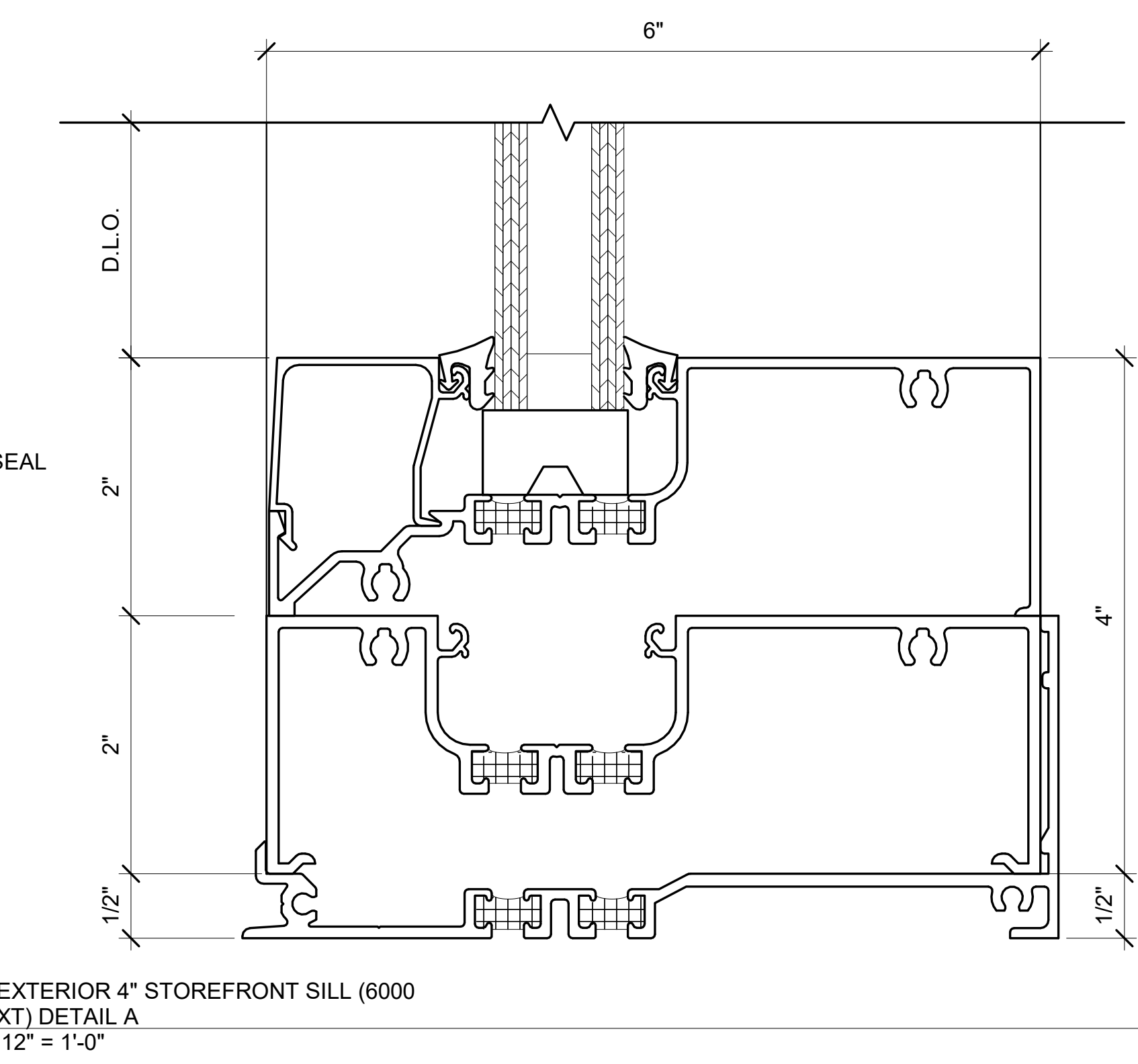
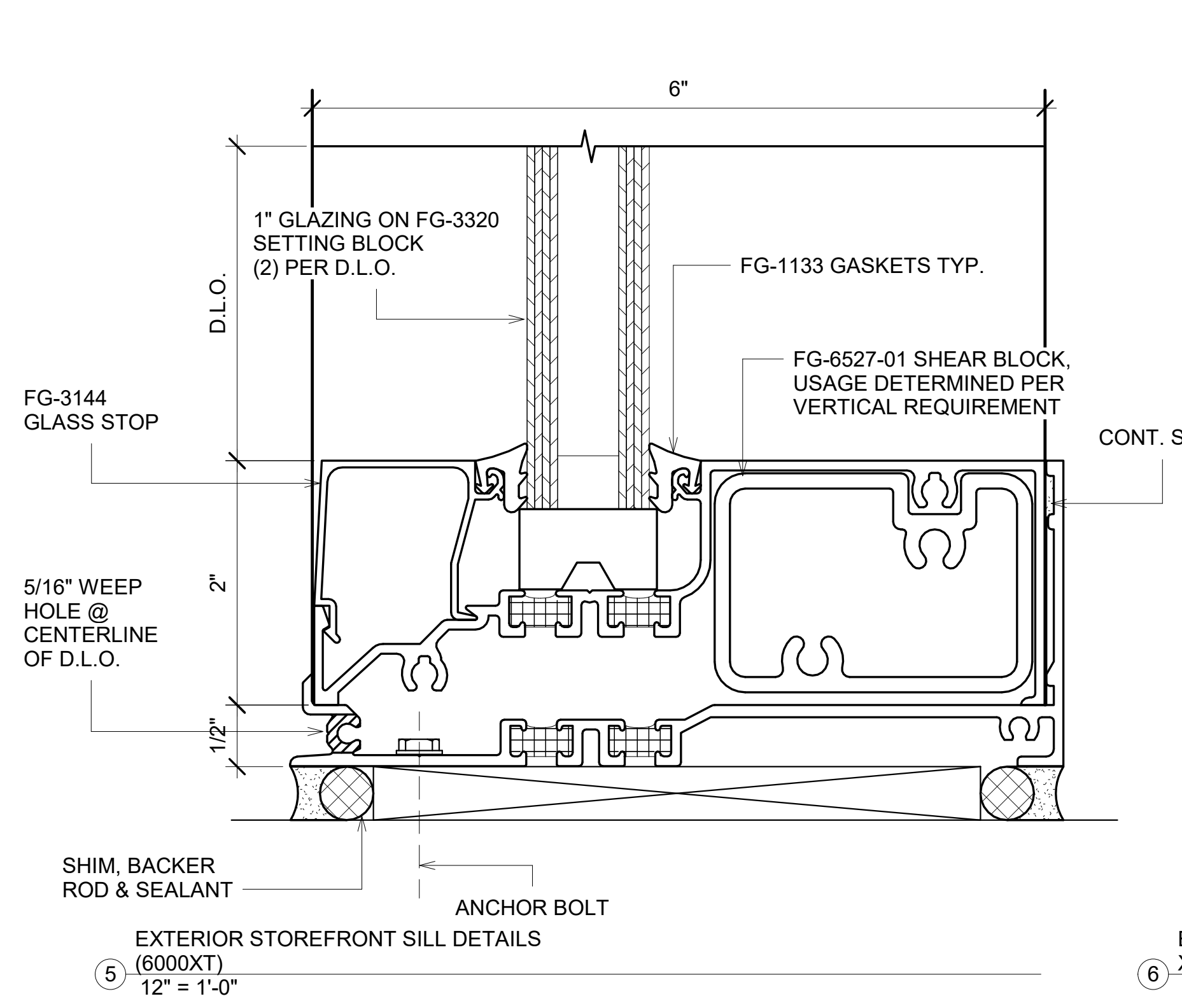
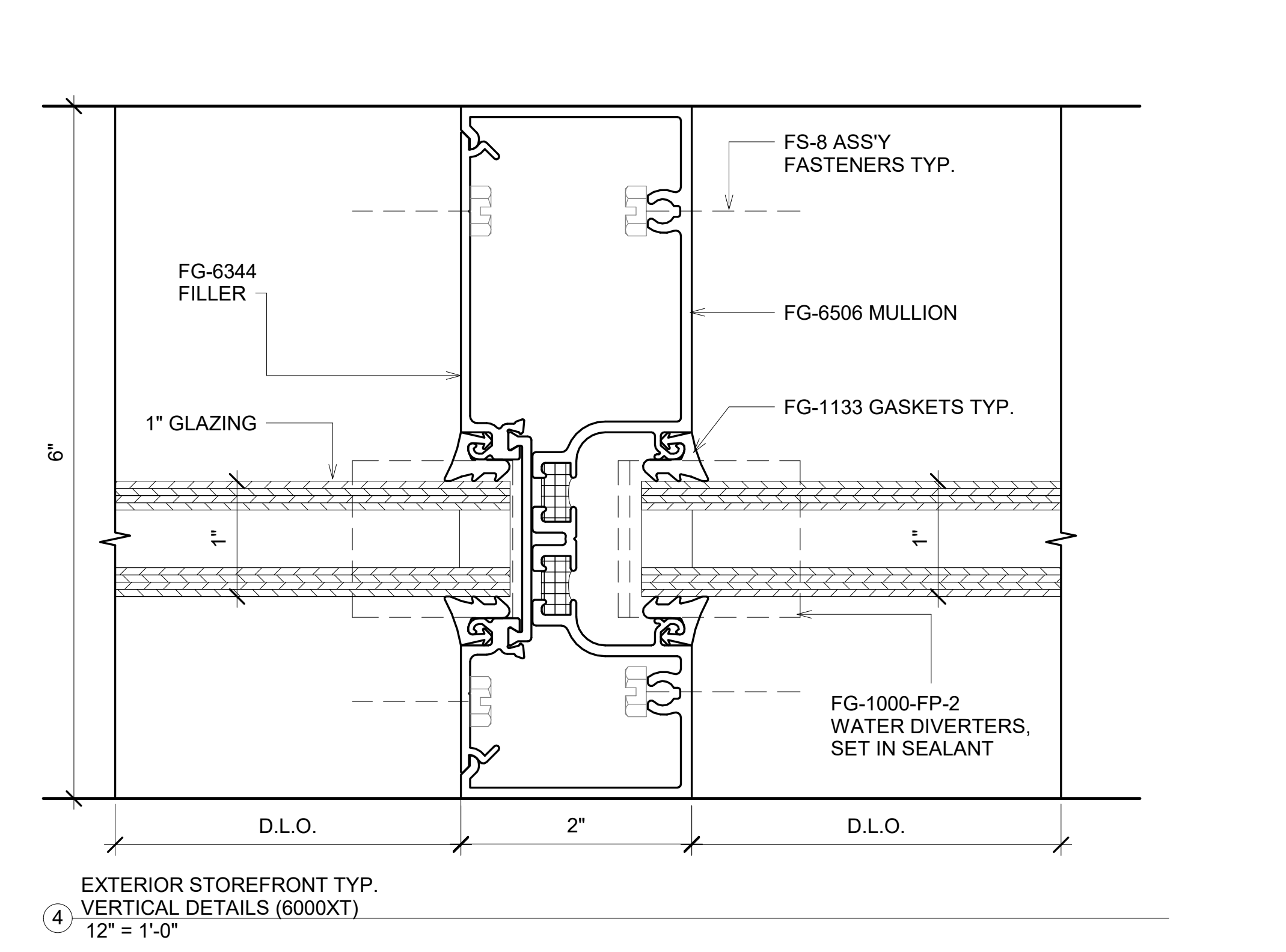
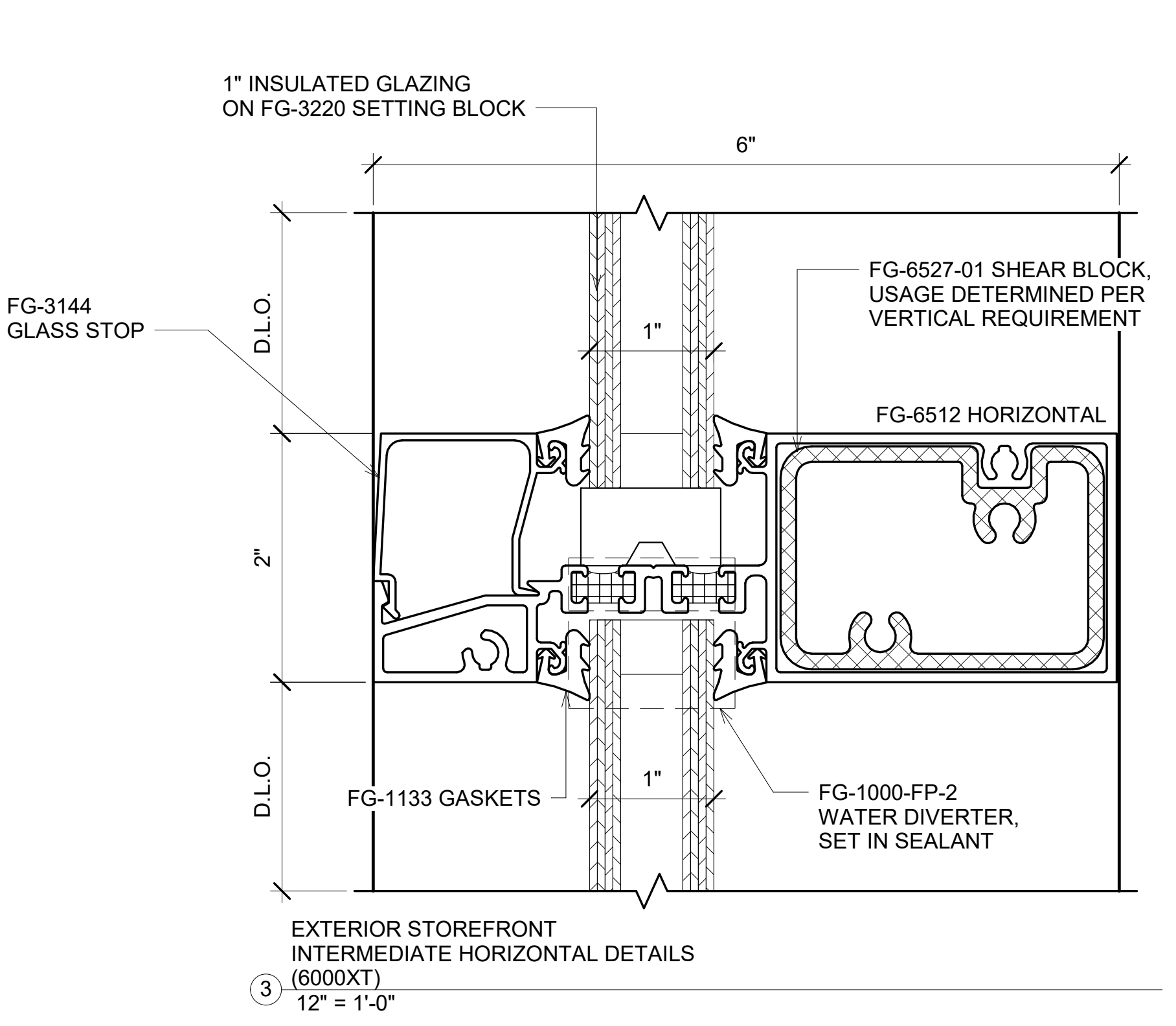
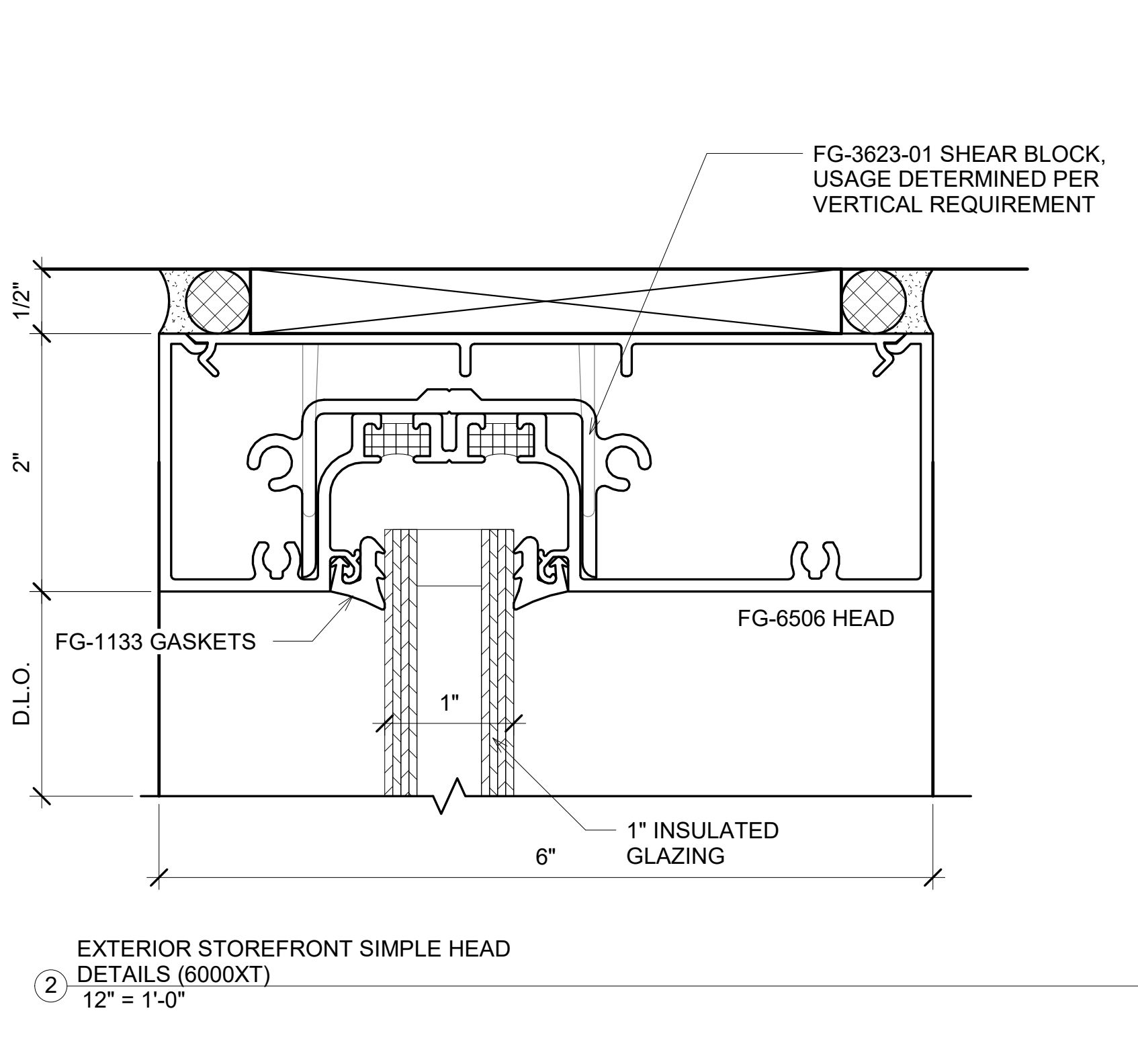
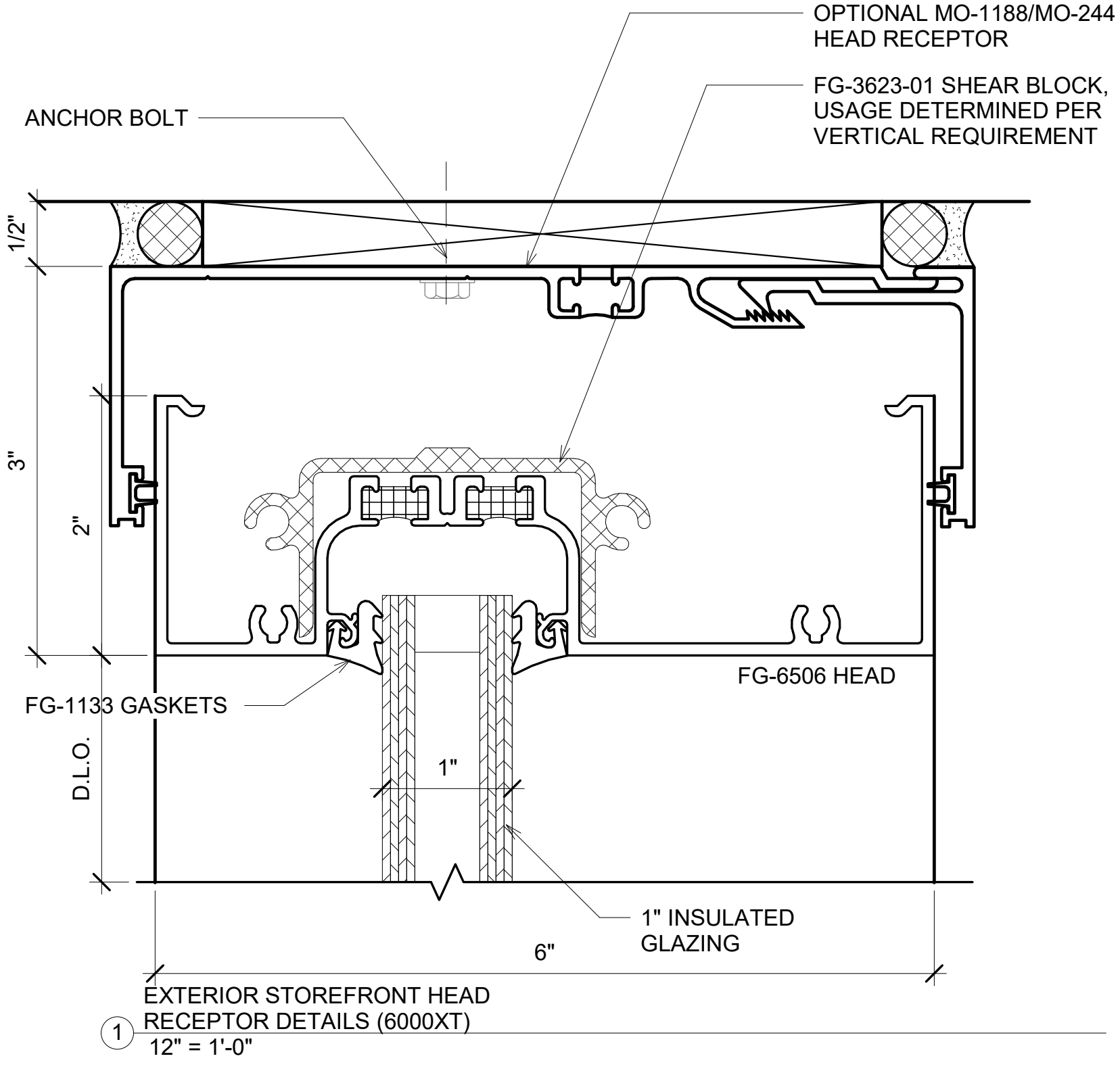
PROJECT NAME  
**IDAHO OUTDOOR FIELDHOUSE**  
 3211 E. BARBER VALLEY Dr. BOISE,  
 IDAHO 83716

Revision Schedule		
Revision Number	Revision Description	Revision Date

**TYPICAL DETAILS- FG 3000 SERIES**  
 PROJECT NUMBER SIM-37  
 DATE 08-26-2022  
 Drawn by AC/AG/AY/SS  
 Checked by AP  
**SD-600 B**  
 SCALE- 12" = 1'-0"

PLOT CREATED: 08-26-2022





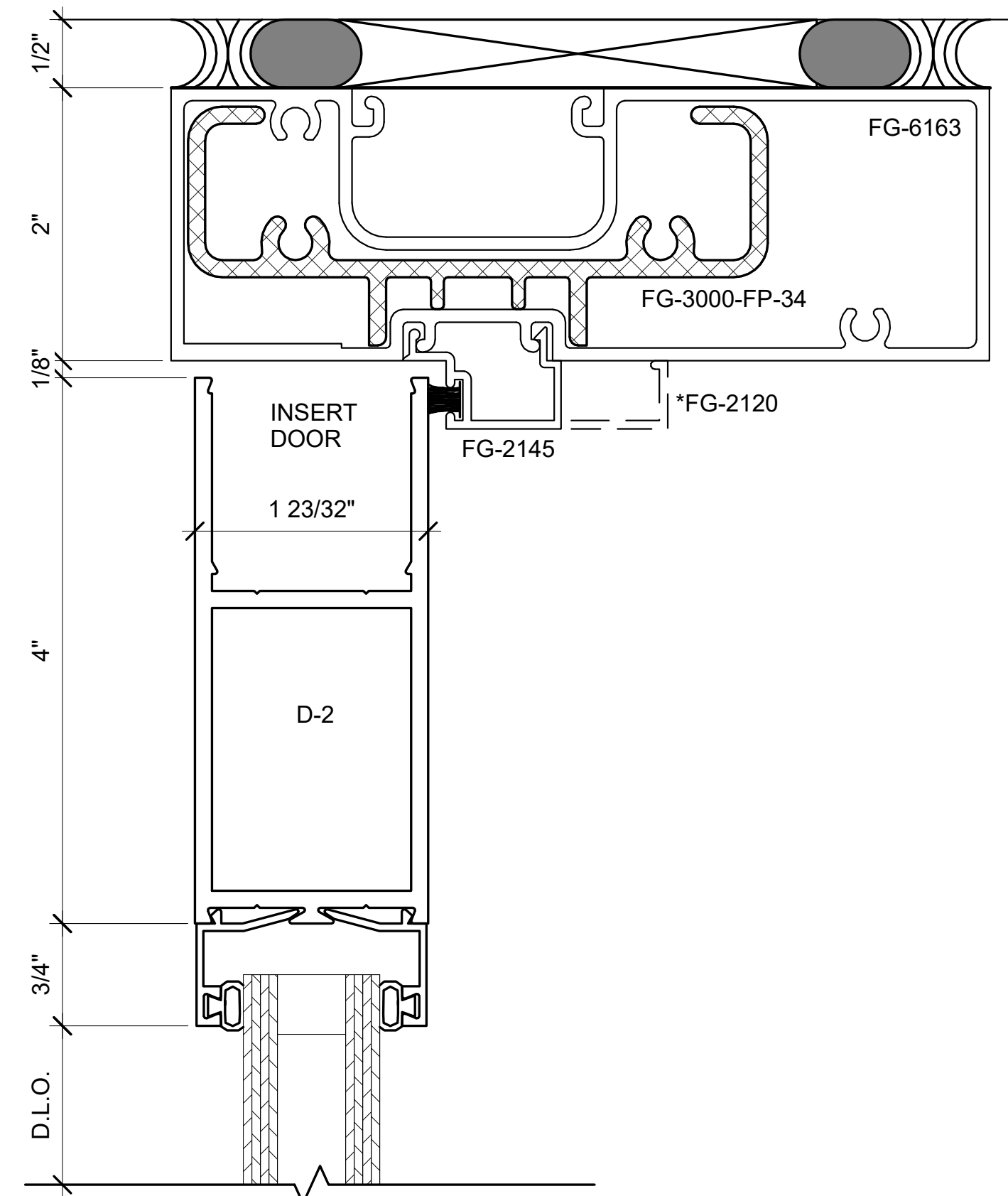
BIM ARCHITECTS AND ENGINEERS  
**SIMSONA CORP.**  
 1451 Rockville Pike, Suite #250,  
 Rockville, MD 20850  
 Phone : 301-408-8553  
 Email: raj@simsona.com  
 www.simsonacadd.com

PROJECT NAME  
**IDAHO OUTDOOR FIELDHOUSE**  
 3211 E. BARBER VALLEY Dr. BOISE,  
 IDAHO 83716

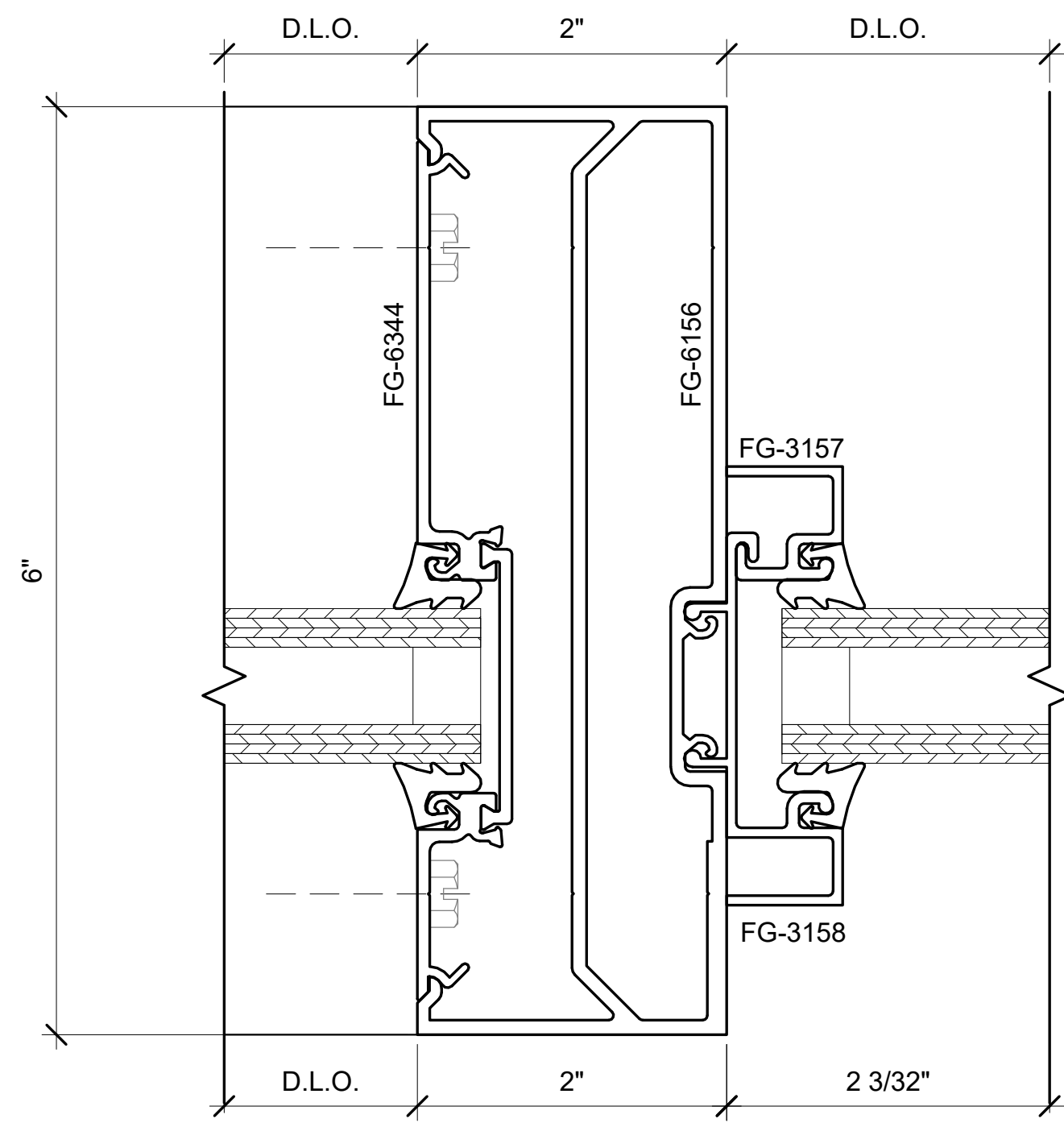
Revision Schedule		
Revision Number	Revision Description	Revision Date
4	REVISED CONCERNING SUBMITTAL#05 COMMENTS	07-27-2022

**TYPICAL DETAILS-OBE 6000 XT SERIES**  
 PROJECT NUMBER SIM-37  
 DATE 08-26-2022  
 Drawn by AC/AG/AY/SS  
 Checked by AP  
**SD-601 A**  
 SCALE- 12" = 1'-0"

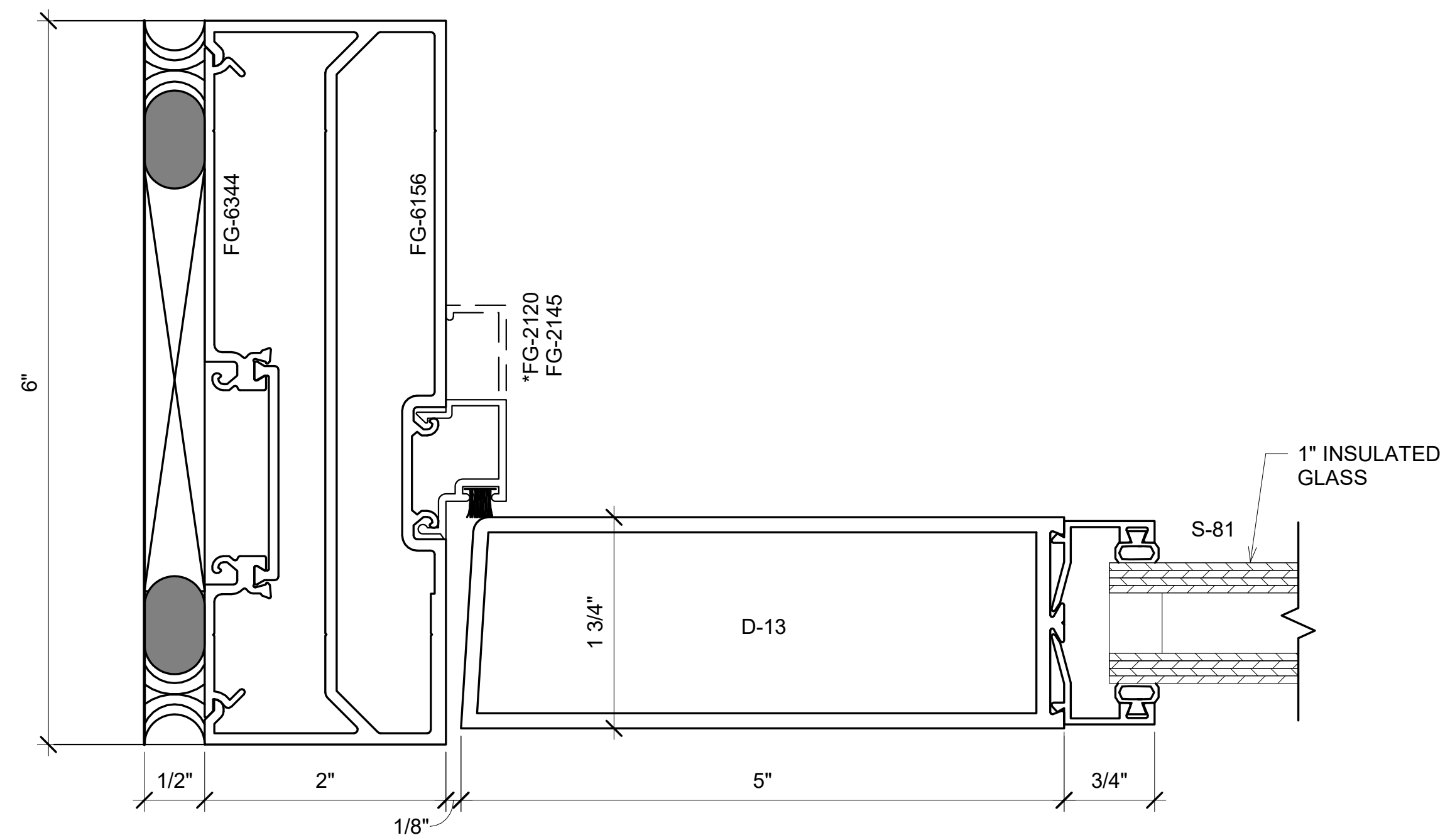
PLOT CREATED: 08-26-2022



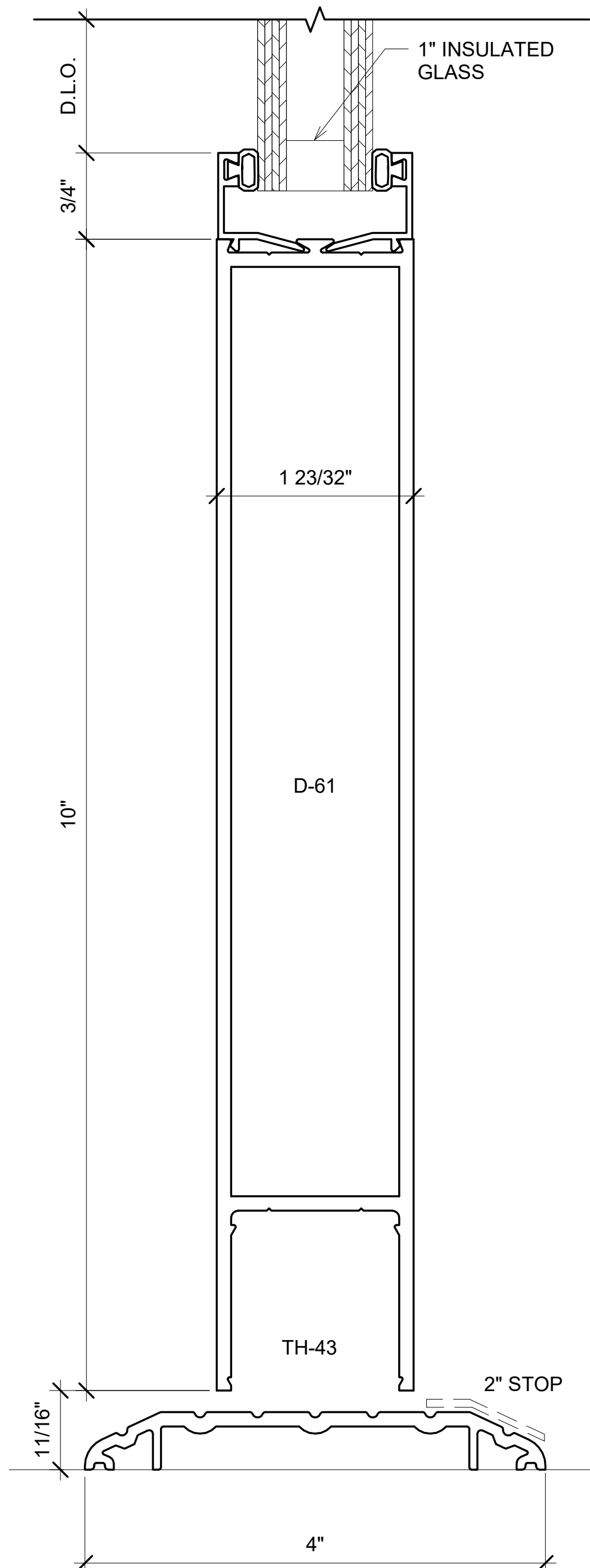
2 FG-6000 XT DOOR HEAD DETAIL  
12" = 1'-0"



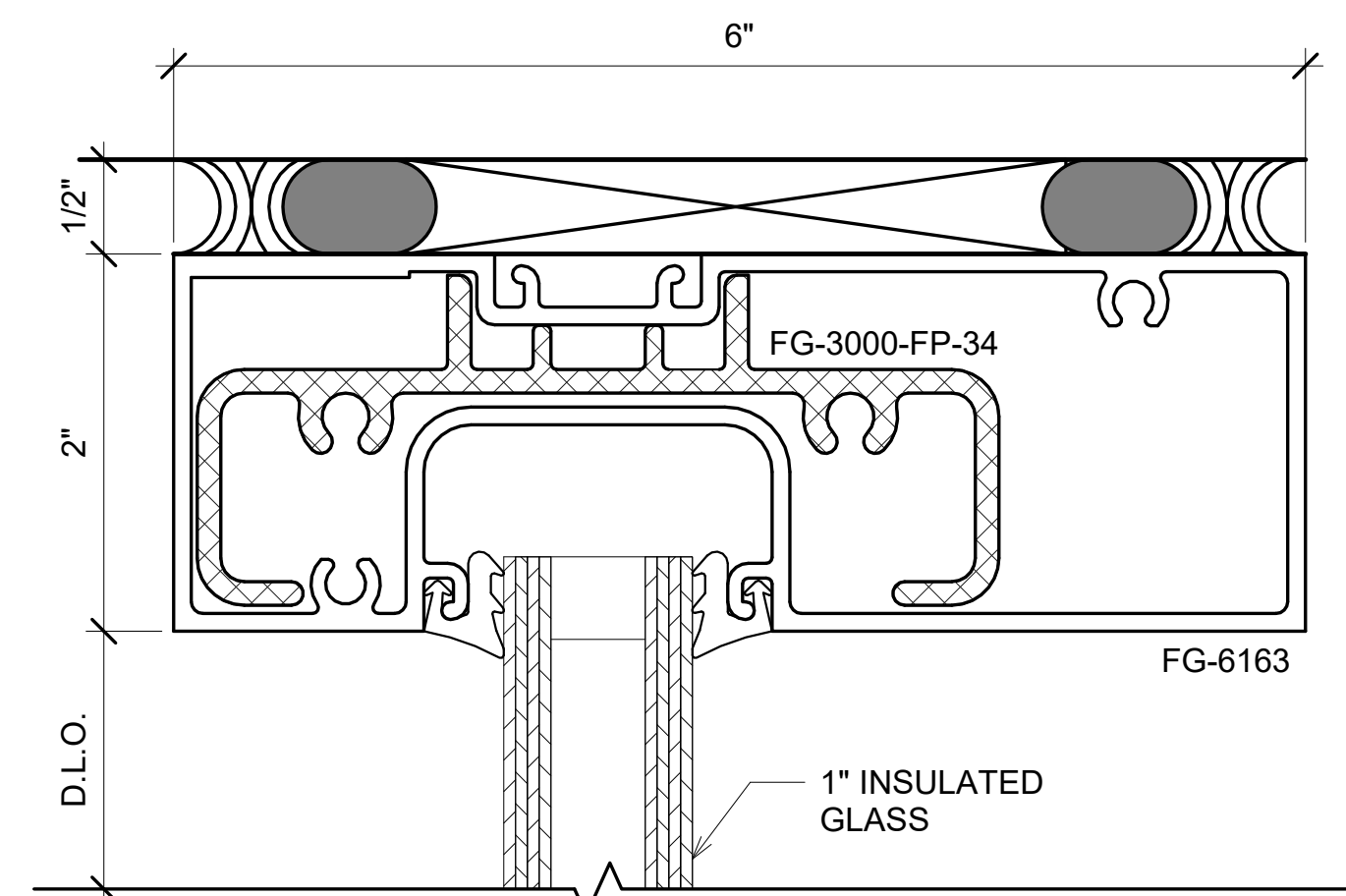
5 FG-6000 XT DOOR JAMB ABOVE  
TRANSOME DETAILS  
12" = 1'-0"



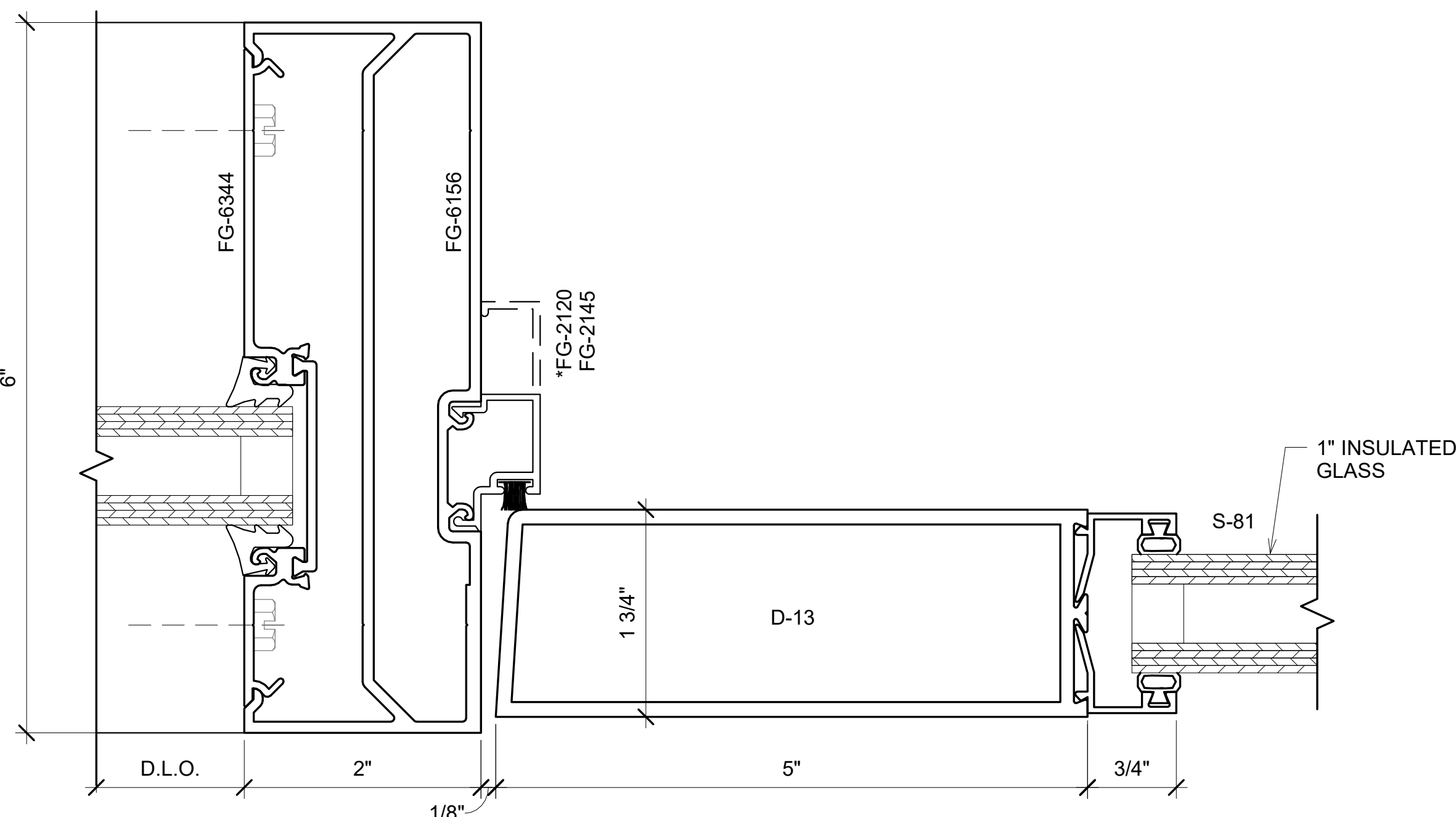
8 FG-6000 XT DOOR LEFT DOOR JAMB  
DETAILS  
12" = 1'-0"



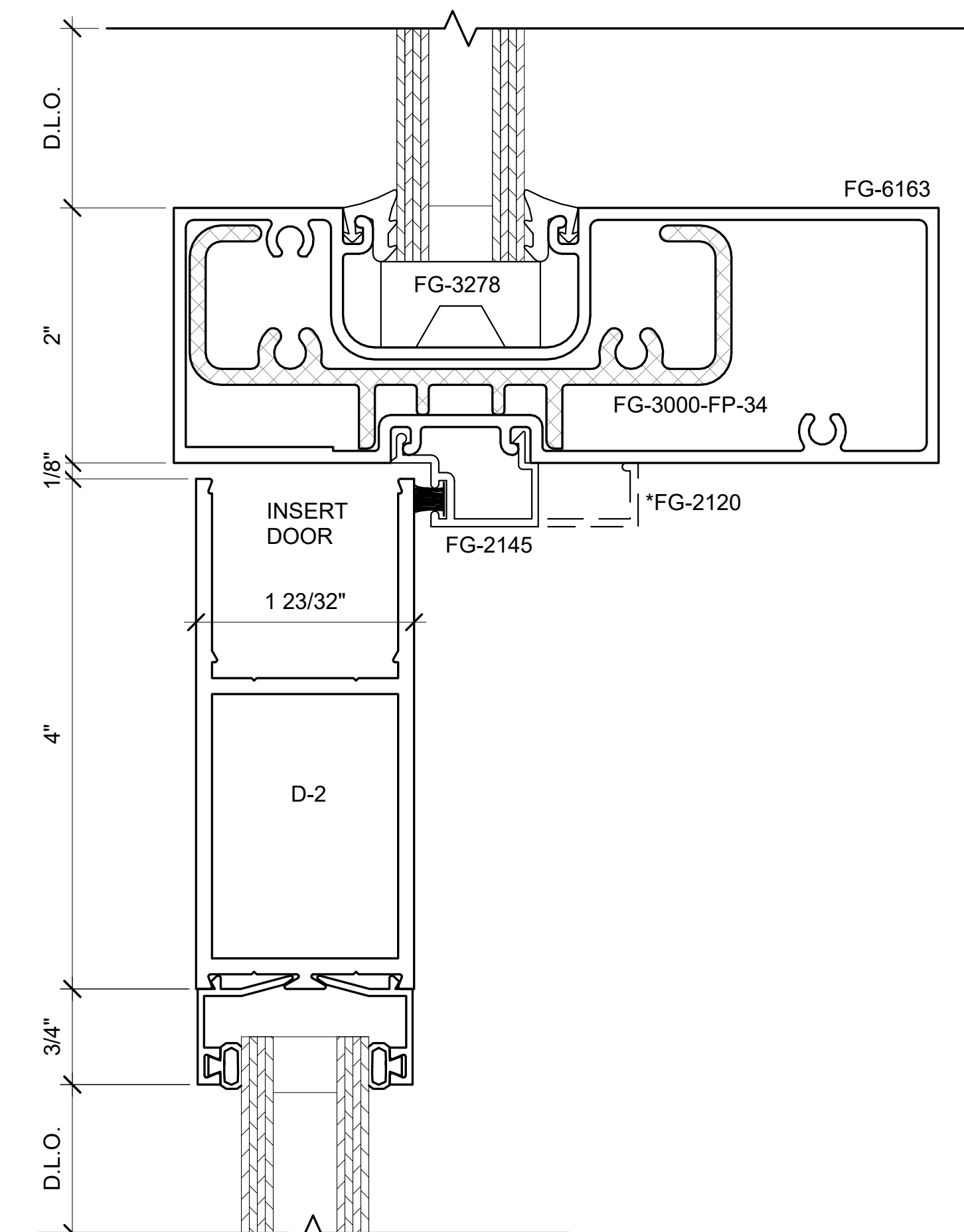
1 FG-6000 XT DOOR BOTTOM RAIL  
DETAILS  
12" = 1'-0"



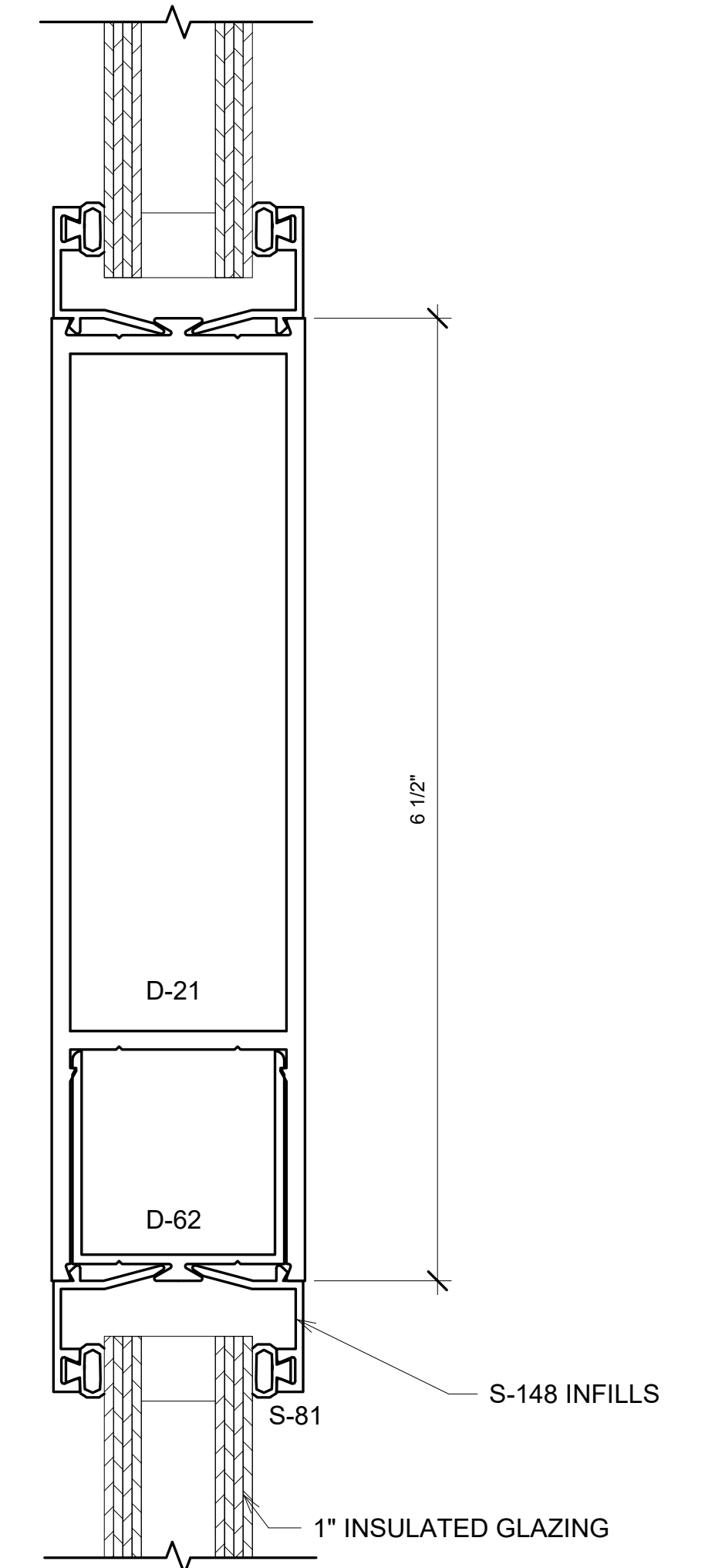
4 FG-6000 XT DOOR TRANSOM HEADER  
DETAIL  
12" = 1'-0"



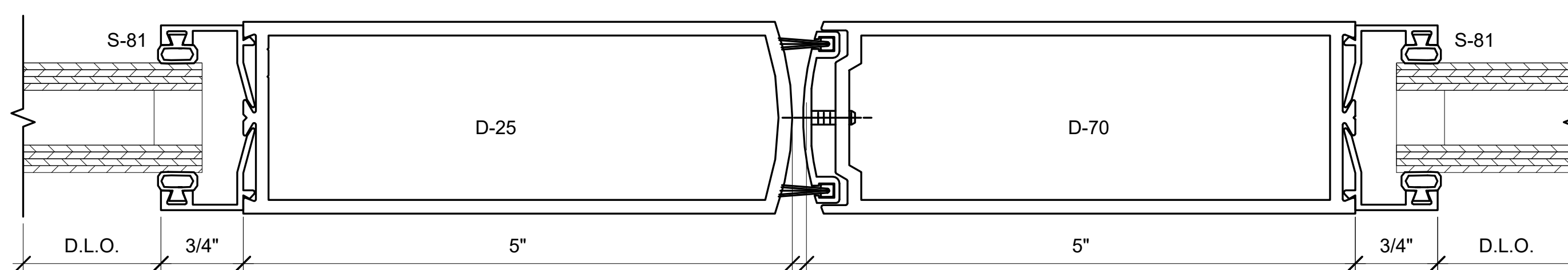
3 FG-6000 XT DOOR JAMB DETAILS  
12" = 1'-0"



7 FG-6000 XT DOOR SURFACE CLOSER  
DETAIL  
12" = 1'-0"



9 FG-6000 XT EXTERIOR DOOR RAIL  
MUNTINS  
12" = 1'-0"



6 FG-6000 XT DOUBLE DOOR DETAILS  
12" = 1'-0"

BIM ARCHITECTS AND ENGINEERS

**SIMSONA CORP.**  
1451 Rockville Pike, Suite #250,  
Rockville, MD 20850

Phone : 301-408-8553  
Email: raj@simsona.com  
www.simsonacadd.com

PROJECT NAME

IDAHO OUTDOOR FIELDHOUSE

3211 E. BARBER VALLEY Dr. BOISE,  
IDAHO 83716

Revision Schedule

Revision Number	Revision Description	Revision Date

TYPICAL DETAILS -OBE 6000 XT  
SERIES

PROJECT NUMBER SIM-37

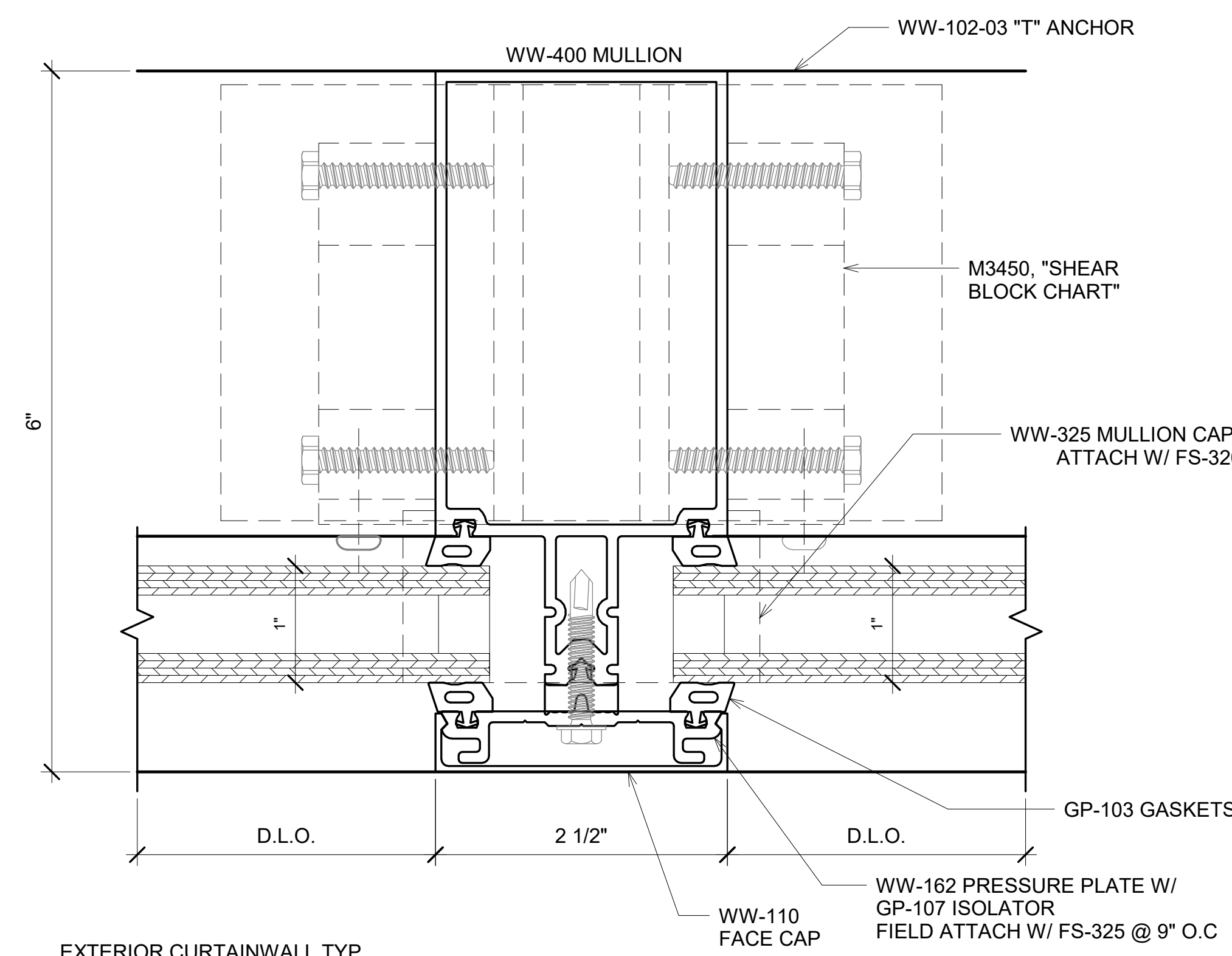
DATE 08-26-2022

Drawn by AC/AG/AY/SS

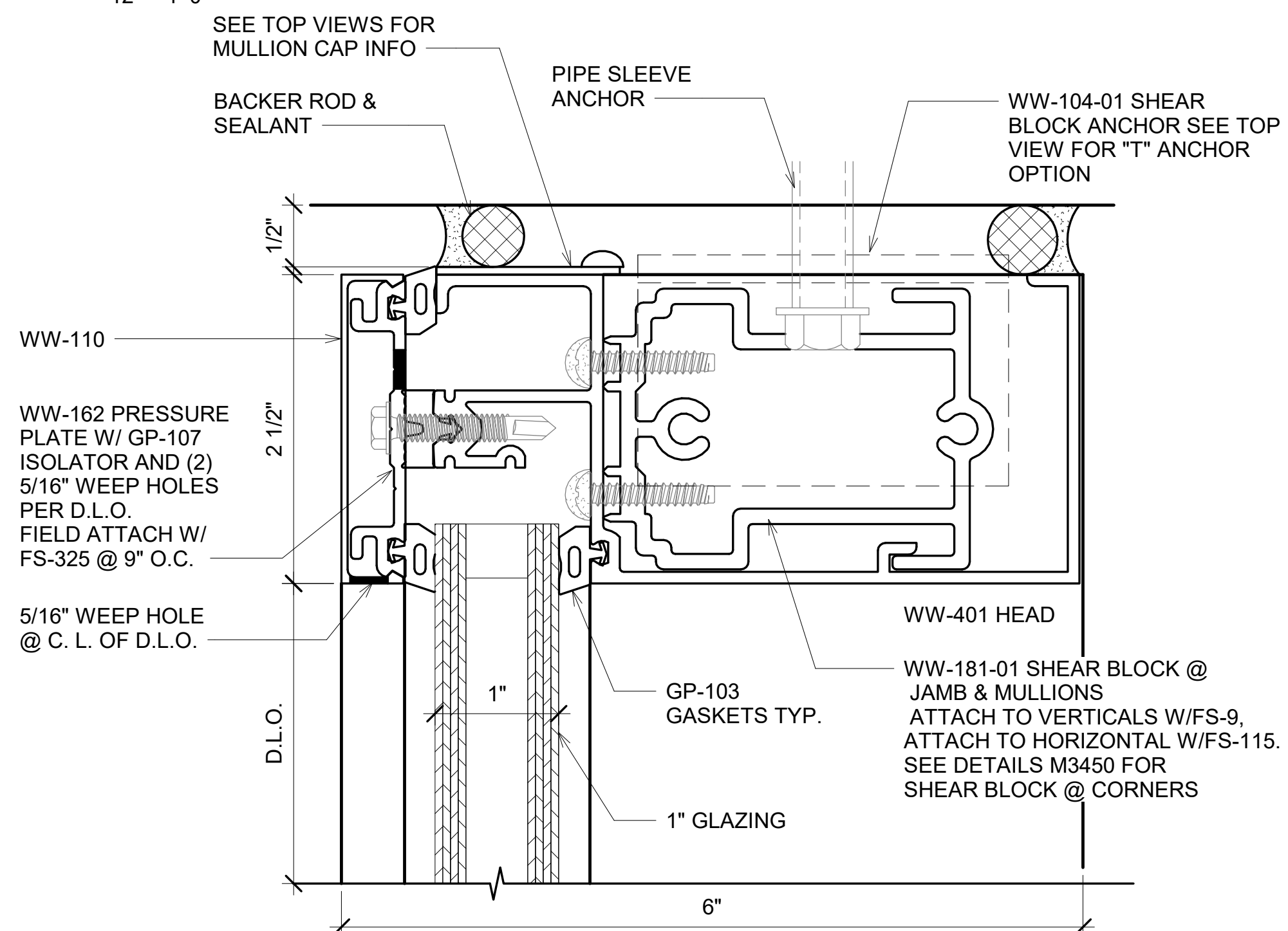
Checked by AP

SD-601  
B

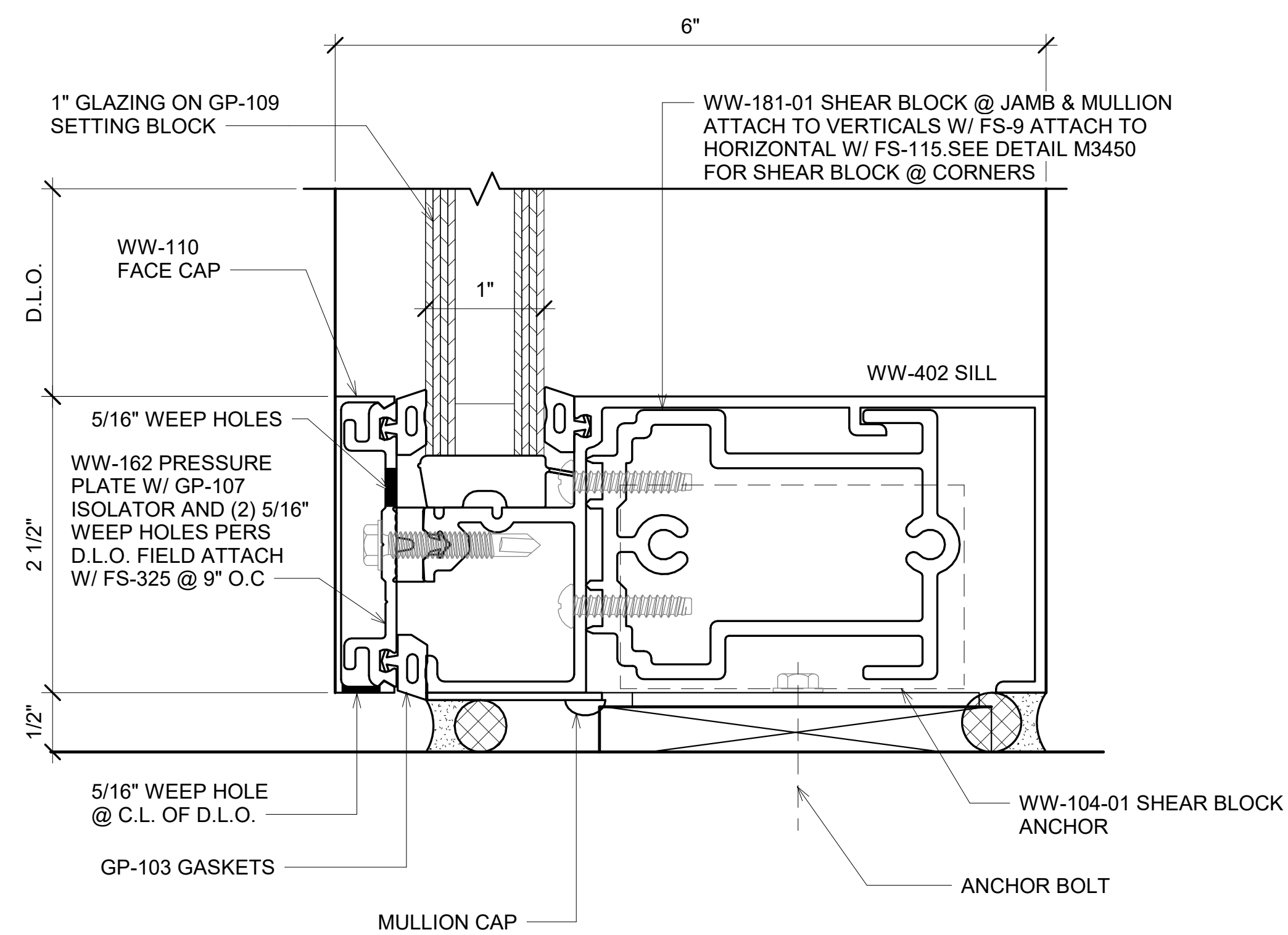
SCALE- 12" = 1'-0"



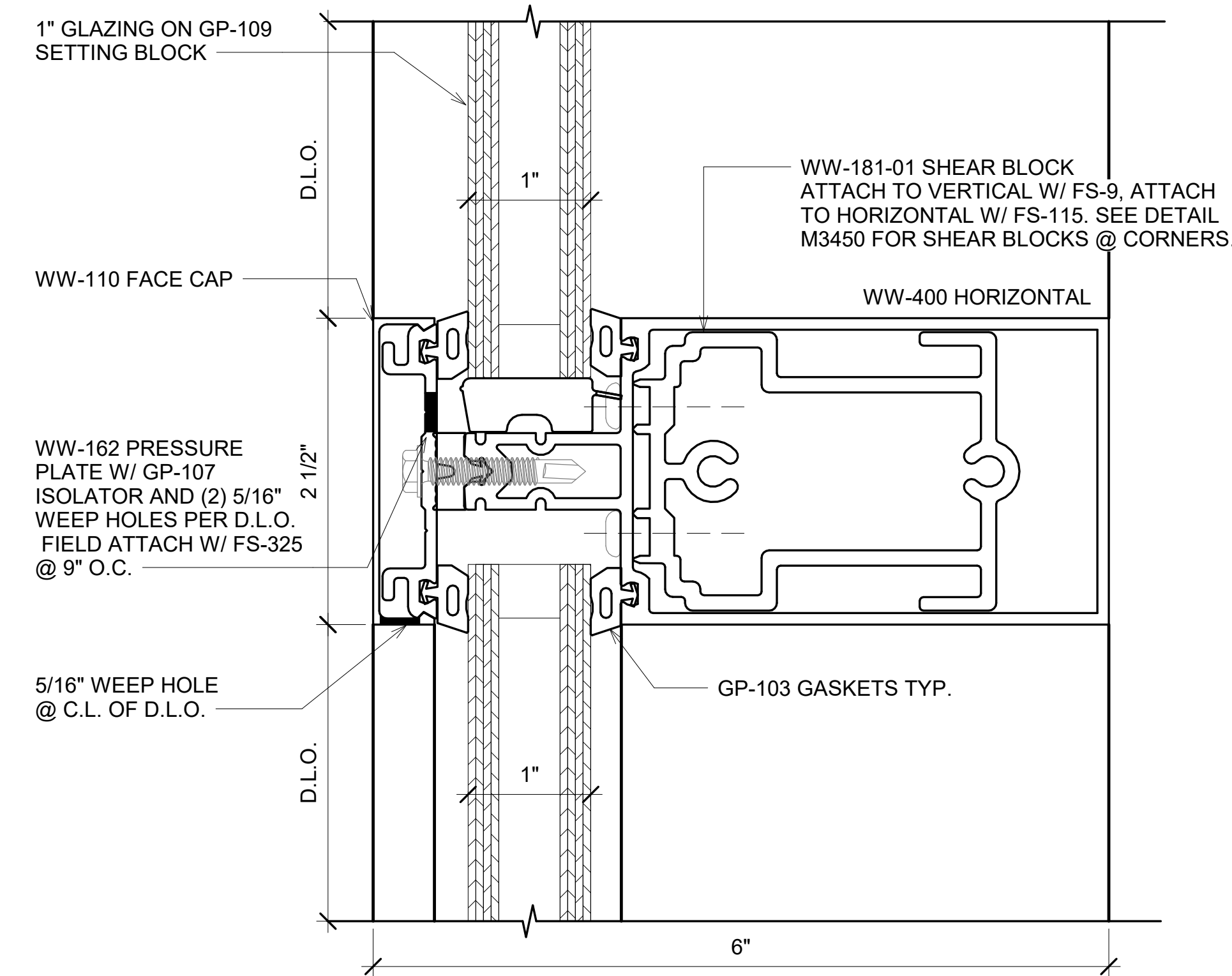
3 EXTERIOR CURTAINWALL TYP. VERTICAL DETAILS  
12" = 1'-0"



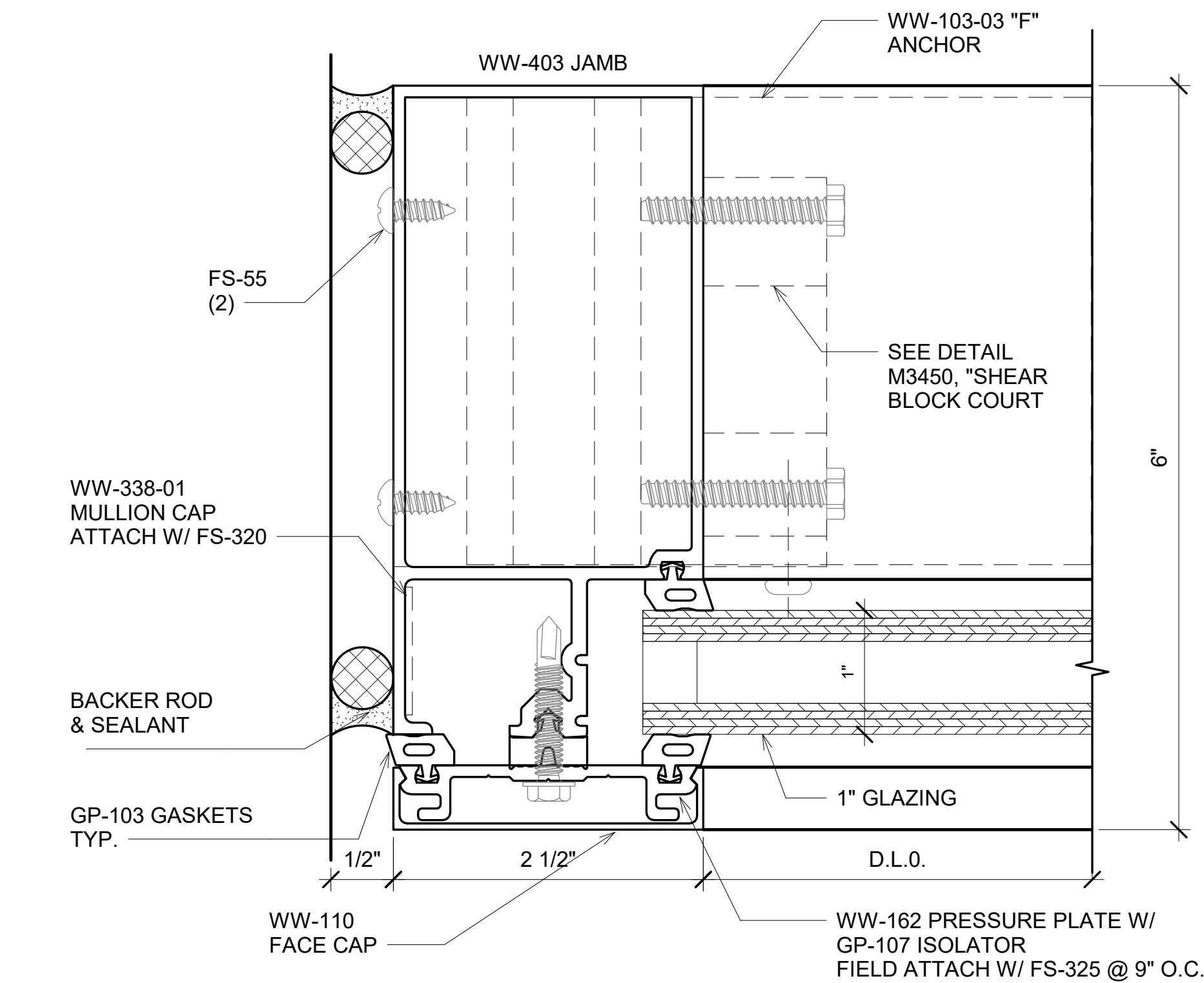
2 EXTERIOR CURTAINWALL HEAD DETAILS  
12" = 1'-0"



1 EXTERIOR CURTAINWALL SILL DETAILS  
12" = 1'-0"



5 EXTERIOR CURTAINWALL INTERMEDIATE HORIZONTAL DETAILS  
12" = 1'-0"



4 EXTERIOR CURTAINWALL JAMB TUBULAR DETAILS  
12" = 1'-0"

BIM ARCHITECTS AND ENGINEERS  
  
**SIMSONA CORP.**  
 1451 Rockville Pike, Suite #250,  
 Rockville, MD 20850  
 Phone : 301-408-8553  
 Email: raj@simsona.com  
 www.simsonacadd.com

PROJECT NAME  
**IDAHO OUTDOOR FIELDHOUSE**  
 3211 E. BARBER VALLEY Dr. BOISE,  
 IDAHO 83716

Revision Schedule		
Revision Number	Revision Description	Revision Date

<b>TYPICAL DETAILS-OBE RELIANCE SERIES</b>	
PROJECT NUMBER SIM-37	<b>SD-602</b>
DATE 08-26-2022	
Drawn by AC/AG/AY/SS	SCALE- 12" = 1'-0"
Checked by AP	

PLOT CREATED: 08-26-2022